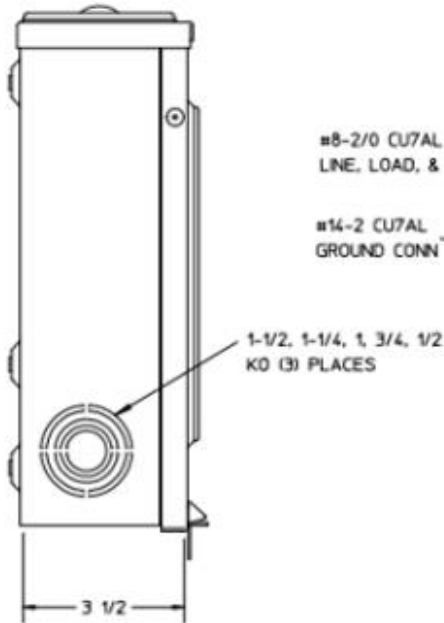
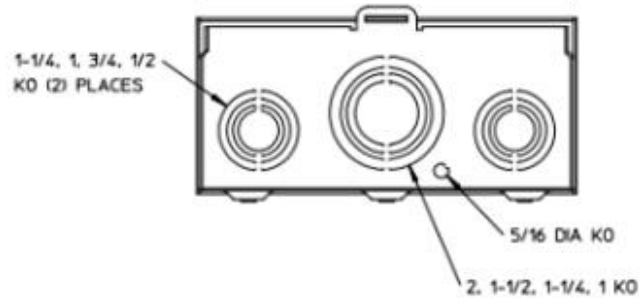
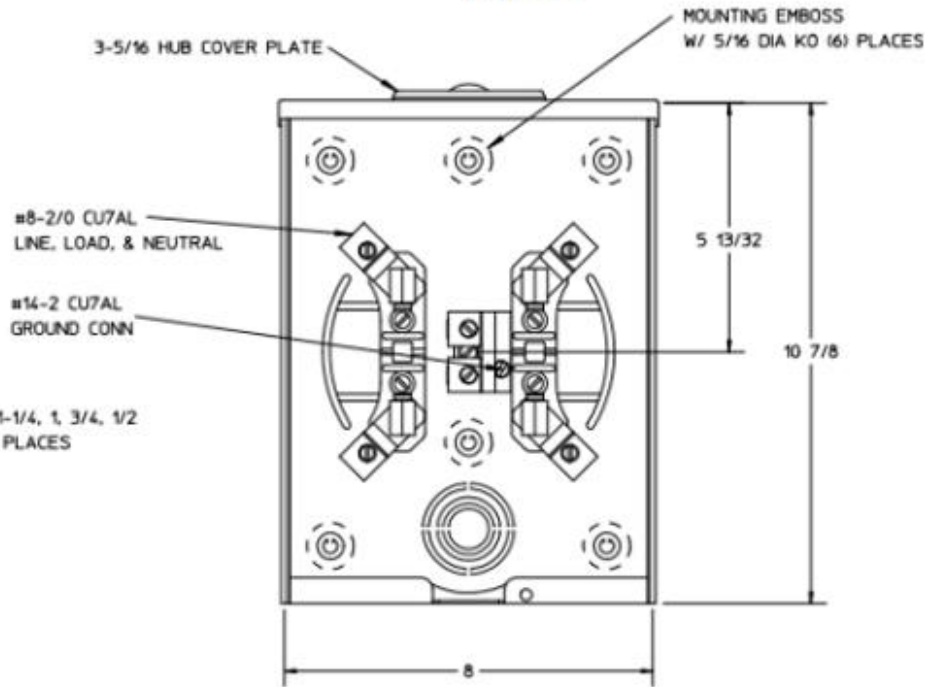


Left Side View



Front View Interior



Bottom View

Notes

- 1) FINISH: GRAY
- 2) CABINET: 16 GA GALV. STEEL.
- 3). 150 AMP CONTINUOUS,
600 VAC, 1 PHASE, 3-WIRE
RESIDENTIAL SERVICE ONLY.
- 4). UNIT IS SUPPLIED WITH REINFORCING
SPRINGS IN METER JAWS.
- 5). UNIT IS SUPPLIED WITH "AE" STAMPED
ON THE TOP OF CABINET TO THE RIGHT OF
THE HUB COVER PLATE.
- 6) UNIT IS SUPPLIED WITH INHIBITOR.
- 7) TEMPORARY CARDBOARD METER OPENING
COVER PROVIDED.
- 8) MIDWEST LABEL ATTACHED TO END
OF THE CARTON.
- 9) MIDWEST D LOGO STAMPED IN THE
LOWER LEFT-HAND CORNER OF FRONT.



METER SOCKET- 125A 1P HO

CAT NO	DWG DATE	REV #
1004326DMEP	03/25/2013	01