

EOH367, EOH368 NEMA 1, 800 A, 1200 A



EOH367, EOH368

NEMA 1, 800 A, 1200 A

EOH Series
Heavy Duty Fusible Safety Switches

1

EOH Serie
Interruptores fusibles de seguridad de servicio pesado

2

EOH Série
Interrupteurs de sécurité avec fusible pour service intensif

3

French version is available at later date.

EOH Series

Enclosed Heavy Duty Fusible Safety Switches

General safety instructions	1/2
Receiving, handling and storage	1/3
Applications	1/4
Product overview	1/5
EOH367, EOH368	1/5
Ratings	1/6
Heavy duty fusible safety switches	1/6
Cabling	1/7
Heavy duty fusible safety switches	1/7
Neutral bus and auxiliary contacts	1/8
Installation	1/9
Opening the enclosure	1/9
Cable outlets	1/10
Mounting	1/11
Wiring	1/12
Neutral assembly (optional)	1/13
Auxiliary contact (optional)	1/14
Fuses	1/15
Operation	1/16
Operating	1/16
Operating mechanism	1/17
Padlocking handle and door latches	1/19
Dimension drawings	1/20
EOH367, EOH368 / NEMA 1 / 800 A, 1200 A	1/20
Accessories (optional)	1/21
Ordering information	1/21
Maintenance	1/22
Replacement parts, ordering information	1/22
Installation and maintenance log	1/23

General safety instructions

1 Read these safety instructions carefully before using this product!



DANGER

HAZARD OF ELECTRIC SHOCK, EXPLOSION, OR ARC FLASH

- Apply appropriate personal protective equipment (PPE) and follow safe electrical work practices. See NFPA 70E or CSA Z462.
- This equipment must only be installed and serviced by qualified electrical personnel.
- Before performing visual inspections, tests, or maintenance on the equipment, disconnect all sources of electric power. Assume that all circuits are live unless they are completely deenergized, tested, grounded, and tagged. Pay particular attention to the design of the power system. Consider all sources of power, including the possibility of backfeeding.
- Never operate energized switch with door open.
- Turn off switch before removing or installing fuses or making load side connections.
- Always use a properly rated voltage sensing device at all line and load fuse clips to confirm switch is off.
- Turn off power supplying switch before doing any other work on or inside switch.
- Do not use renewable link fuses in fused switches.

Failure to follow these instructions will result in death or serious injury.

Receiving, handling and storage

Receiving and handling


Upon receipt, carefully inspect the switch for damage that may have occurred during transit. If damage is evident, or there is visible indication of rough handling, immediately file a damage claim with the transportation company, and notify your local ABB sales office.

Do not remove the shipping package until ready to install the switch.

Storage

If the unit will not be placed into service immediately, store the switch on its original package in a clean, dry location. To prevent condensation, maintain a uniform temperature. Store the unit in a heated building, allowing adequate air circulation and protection from dirt and moisture. Storing the unit outdoors could cause harmful condensation inside the switch enclosure.

1

	WARNING
HAZARD OF EQUIPMENT OVERTURNING When moving with a fork lift, do not remove the shipping package until the device is in its final location.	
Failure to follow this instruction will result in personal injury or equipment damage.	

Applications

1 The EOH series heavy duty fusible safety switches are side-operated, 3 pole, 600V switches, housed in steel sheet enclosures, available in UL environmental rating TYPE 1 with side-operated handle.

Heavy duty fusible safety switches offer the ability to manually open and close a circuit and provide overcurrent protection through field installed fuses. Products can be used as Disconnecting Means or on the load side of a branch circuit protective device and are suitable for use as motor disconnects.

Catalog numbers:

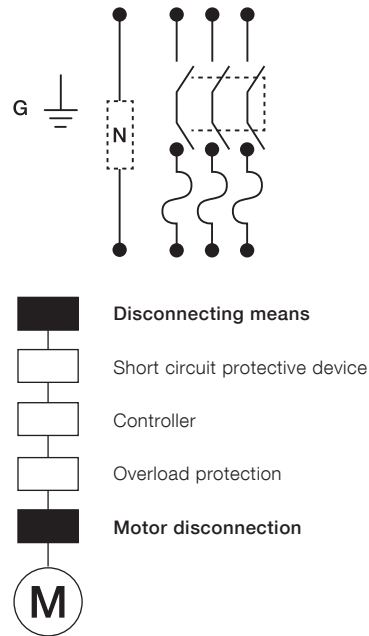
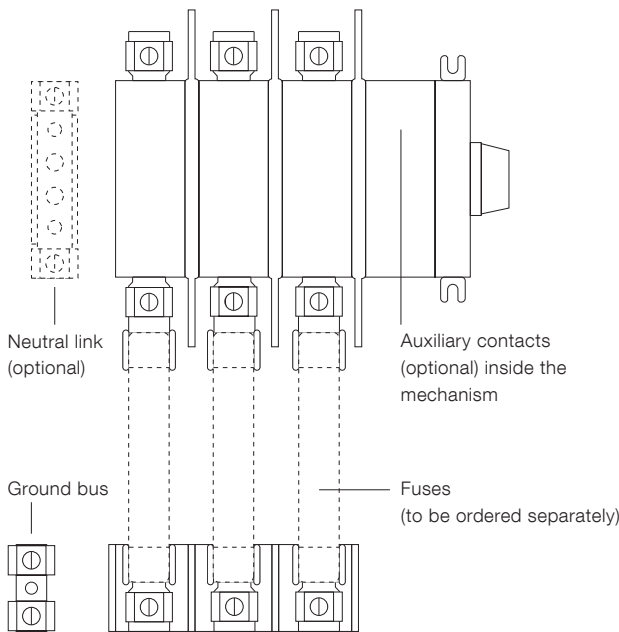
NEMA1: EOH367, EOH368

General purpose current ratings: 800 A, 1200 A

Standards: UL98, UL50, UL4248-1, NEMA KS1, CSA

Enclosure material specification: Electrically galvanized steel, polyester powder coating. Thickness: door 0.079 in / 2 mm, enclosure walls 0.079 in / 2 mm, enclosure bottom 0.079 in / 2 mm (EOH367_) and 0.118 in / 3 mm (EOH368_). Handle: glass reinforced polyamide (PA f1), polycarbonate (PC f1).

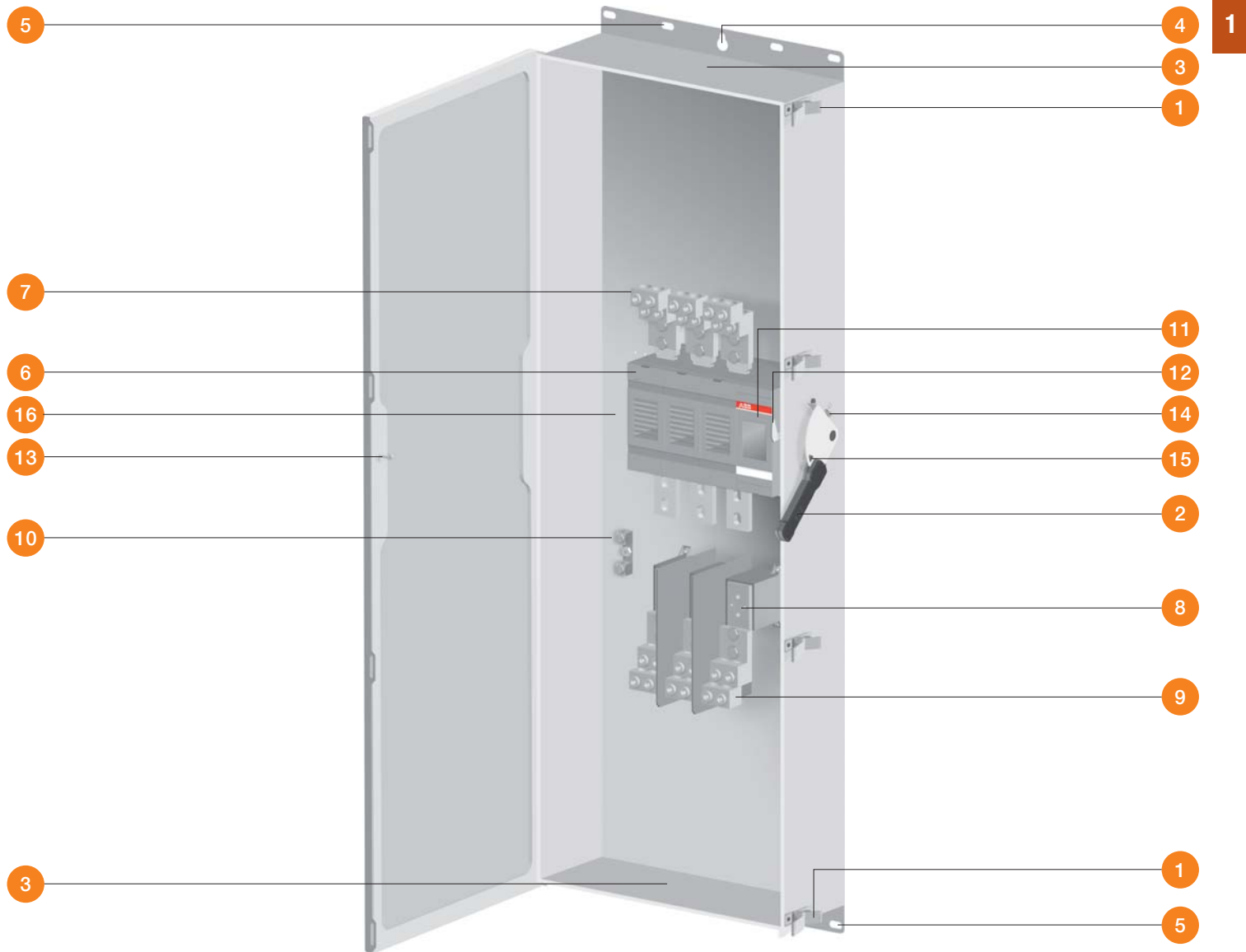
Enclosure color: ANSI 61 (light gray)



The EOH367, EOH368 heavy duty fusible safety switches up to 600 VAC, 3-ph with the ground bus (included) and the neutral link N (optional)

Product overview

EOH367, EOH368



1. Door latches, provision for padlocking
2. Handle
3. Cable outlets, blank for own holes
4. Keyslot mounting hole
5. Mounting holes
6. 3-pole switch, double breaking contacts with viewing windows
7. Line side (switch terminals) terminal lugs
8. Fuse base
9. Load side (fuse base terminals) terminal lugs
10. Ground bus (2 lugs)
11. Operating mechanism, inside place for auxiliary contacts (optional)
12. Door interlock mechanism
13. Locking hook for door interlock mechanism
14. Door interlock bypass shaft (Only qualified personnel should perform this procedure)
15. Hole for padlocking the handle (3 padlocks)
16. Place for neutral assembly (optional)

Ratings

Heavy duty fusible safety switches

1

Heavy duty fusible safety switch				EOH367	EOH368
AMPS				800	1200
General purpose current rating			A	800	1200
Max. horse power rating	Three phase	240 V	HP	250	250
		480 V	HP	500	500
		600 V	HP	500	500
Standard horse power rating	Three phase	240 V	HP	100	100
		480 V	HP	200	200
		600 V	HP	250	250
Max. motor FLA current	Three phase	240 V	A	600	600
		480 V	A	590	590
		600 V	A	472	472
Short circuit rating	Class L fuses	480 V	kA	200	200
	Class L fuses	600 V	kA	200	200
Maximum fuse size			A	800	1200
Standard fuse clips				L	L
Ground bus					
Ground bus catalog number				OZXG2	OZXG2 or OZXG3
Temperature rating			°F	167	167
			°C	75	75
Auxiliary contacts, optional					
Suitable auxiliary contacts		Function	1NO	OA1G10	OA1G10
			1NC	OA3G01	OA3G01
Nema ratings, AC				AC600	AC600
AC rated voltage			VAC	600	600
AC rated thermal current			A	10	10
AC maximum volt-ampere making			VA	7200	7200
AC maximum volt-amperage breaking			VA	720	720
Nema ratings, DC				R300	R300
DC rated voltage			VDC	300	300
DC rated thermal current			A	1	1
DC maximum make-break			VA	28	28

Cabling

Heavy duty fusible safety switches

Cabling / Fusible safety switches

Cable entry/exit locations: Top entry-bottom exit.
Cable entry/exit through top/bottom endwalls maximize the cable bending area. All cable entry/exit must be in accordance with the National Electrical Code and all other local codes.

See the chapter Wiring. In 800 A and 1200 A switches use Hex key / wrench size 1/2 for both line and load side terminals.



WARNING

To avoid hazard of electric shock, turn off and lock out all power sources before installing or performing maintenance on this equipment.

1

Heavy duty fusible safety switch		EOH367	EOH368
AMPS	A	800	1200
Line side (switch terminals) terminal lugs			
Terminal lug		OZXA-1200	OZXA-1200E
Torque: wire tightening for Cu and Al cables	lbs.in (kcmil)	500	620 (#750)
	Nm (mm ²)	55.7	70.1 (380)
Torque: wire tightening for Cu and Al cables	lbs.in (kcmil)	500	500 (#2 - 600)
	Nm (mm ²)	55.7	55.7 (2x 35 - 300)
Lug mounting torque	lbs.in	443	319
	Nm	50.1	36.0
Wire range	kcmil	(4) #2 - 600	(6) #2 - 750
	mm ²	4x35 - 300	6x35 - 380
Load side (fuse base terminals) terminal lugs			
Terminal lug		OZXA-1200	OZXA-1200
Torque: wire tightening for Cu and Al cables	lbs.in	500	500
	Nm	55.7	55.7
Lug mounting torque	lbs.in	443	319
	Nm	50.1	36.0
Wire range	kcmil	(4) #2 - 600	(4) #2 - 600
	mm ²	4x35 - 300	6x35 - 380
Ground bus (2 lugs)			
Tool		5/16" Hex	5/16" Hex
Ground bus catalog number		OZXG2	OZXG2 or OZXG3
Torque: wire tightening for Cu and Al cables	lbs.in	275	275
	Nm	31.1	31.1
Maximum stud mounting torque	lbs.in	72	72
	Nm	8.1	8.1
Wire range	kcmil	#6 - 250	OZXG2: #6 - 250
	kcmil		OZXG3: (2) #6 - 250
	mm ²	10 - 120	OZXG2: 10 - 120
	mm ²		OZXG3: 2x10 - 120

Cabling

Neutral bus and auxiliary contacts

1 Cabling / Neutral bus (optional)

Use 1/2 Hex key / wrench. See chapter Installation / Neutral assembly (optional).

Heavy duty fusible safety switch		EOH367	EOH368
AMPS	A	800	1200
Suitable neutral bus, catalog number		EOHXS78	EOHXS78
Neutral bus / terminal lugs			
Terminal lug		OZXA-1200	OZXA-1200
Torque: wire tightening for Cu and Al cables	lbs.in	500	500
	Nm	55.7	55.7
Lug mounting torque	lbs.in	443	443
	Nm	50.1	50.1
Wire range	kcmil	(4) #2 - 600	(4) #2 - 600
	mm ²	4x35 - 300	4x35 - 300

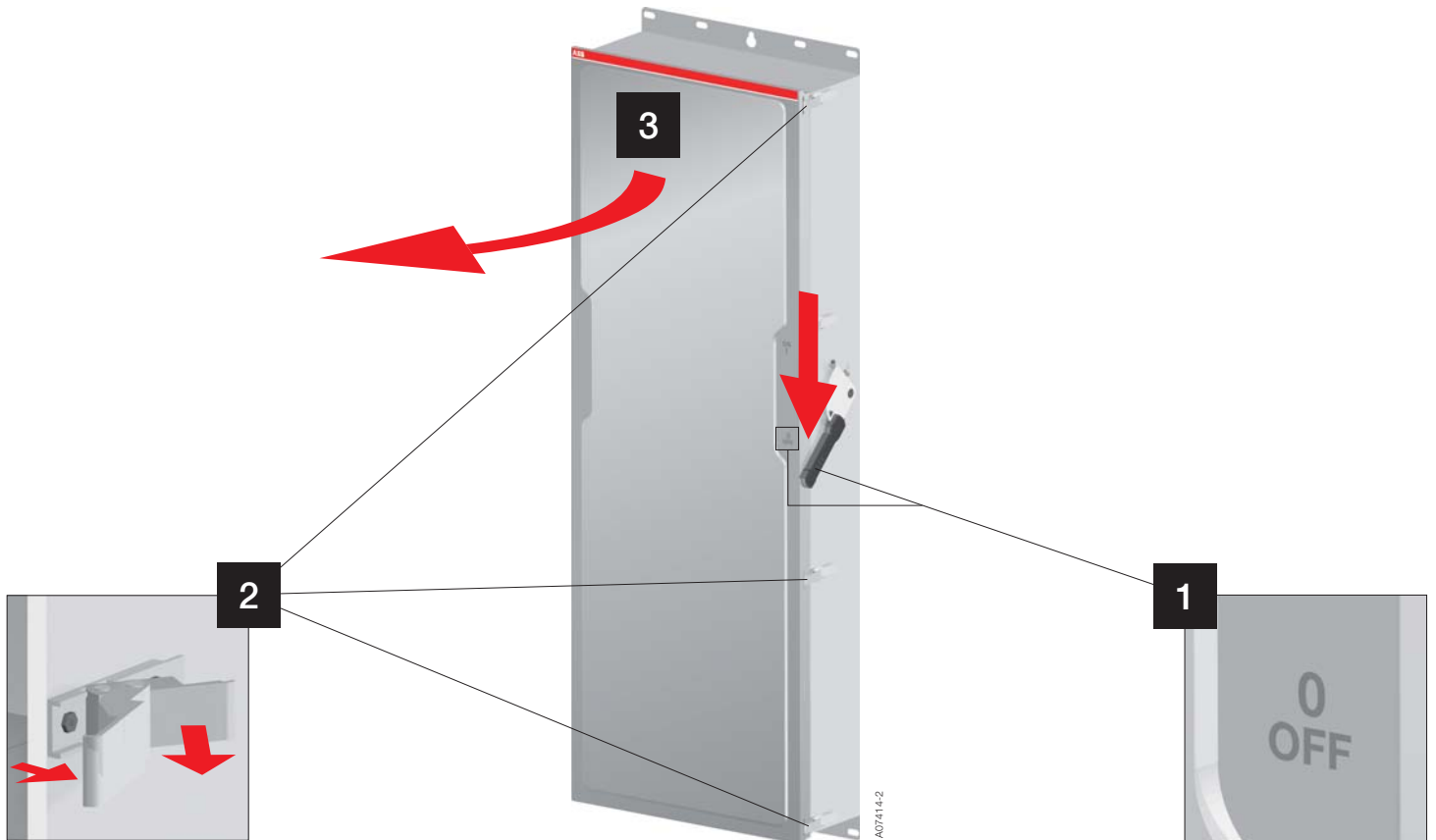
Cabling / Auxiliary contacts (optional)

Use Pozi-drive #2 or flat blade screwdriver. See chapter Installation / Auxiliary contacts (optional).

Auxiliary contacts, catalog numbers OA1G10 (1NO), OA3G01 (1NC)	
NEMA	A600, R300
Wire size	1 - 2 × #18 - 14 AWG
	1 - 2 × 0.75 - 2.5 mm ²
Torque	7 lbs.in
	0.78 Nm

Installation

Opening the enclosure



Opening of the enclosure

Operate the switch to the OFF-position and open the door latches according to the picture. Open the enclosure.



CAUTION

HAZARD OF INJURY OR EQUIPMENT DAMAGE

Do not in any circumstances bend or twist the locking hook fixed on the door. Wrong position of the door hook causes the malfunction of the locking mechanism that may result in personal injury or equipment damage.

Failure to follow these instructions can result in injury or equipment damage.



DANGER

HAZARD OF ELECTRIC SHOCK, EXPLOSION, OR ARC FLASH

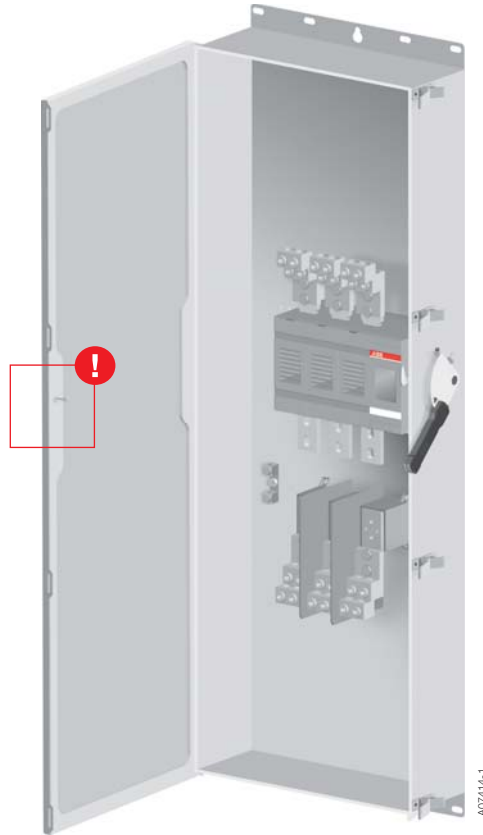
See general safety instructions on page 1/2 before proceeding.

Failure to follow these instructions will result in death or serious injury.

Installation

Cable outlets

1



Cable entry/exit

The top and bottom cable entry/exit are blank for own holes. The enclosure has to maintain the NEMA classification when installing cable entry/exit. It is not allowed to do any other extra holes except cable entry/exit to the enclosure. Check all parts for possible metal shavings. Remove any shavings.

! CAUTION

The enclosure has to maintain the NEMA classification when installing cable entry/exit. It is not allowed to do any other extra holes except cable entry/exit to the enclosure. No responsibility is assumed by ABB for any consequences arising out of the installing of cable entry/exit or if any other extra holes done to the enclosure.

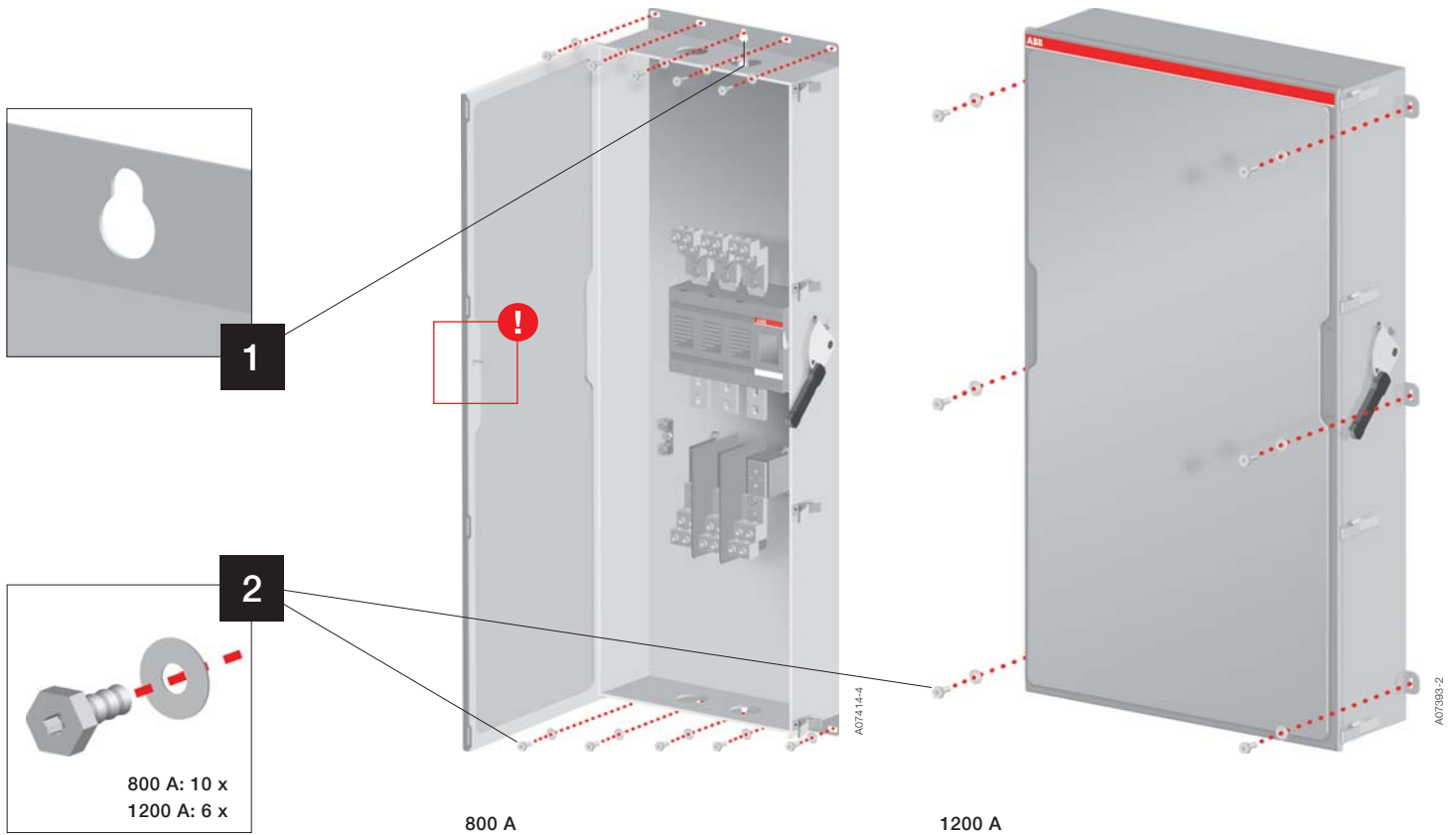
! CAUTION

HAZARD OF INJURY OR EQUIPMENT DAMAGE

Do not in any circumstances bend or twist the locking hook fixed on the door. Wrong position of the door hook causes the malfunction of the locking mechanism that may result in personal injury or equipment damage.

Failure to follow these instructions can result in injury or equipment damage.

Installation Mounting



Mounting the safety switch on the wall or other supporting structure

Mount the safety switch using 5/16" screws (for 800 A: 10 pcs and for 1200 A: 6 pcs). Note: Use the keyslot mounting hole (in 800 A switches) to hang the enclosure while securing the other mounting screws. Verify that the load-carrying capacity of mounting wall or supporting structure is sufficient in relation to the weight, size and way of fixing of safety switch and in accordance with local requirements.

Anchorage:

- wall-mounted
- mount cabinet on flat surface to avoid distortion
- use shims if necessary



CAUTION

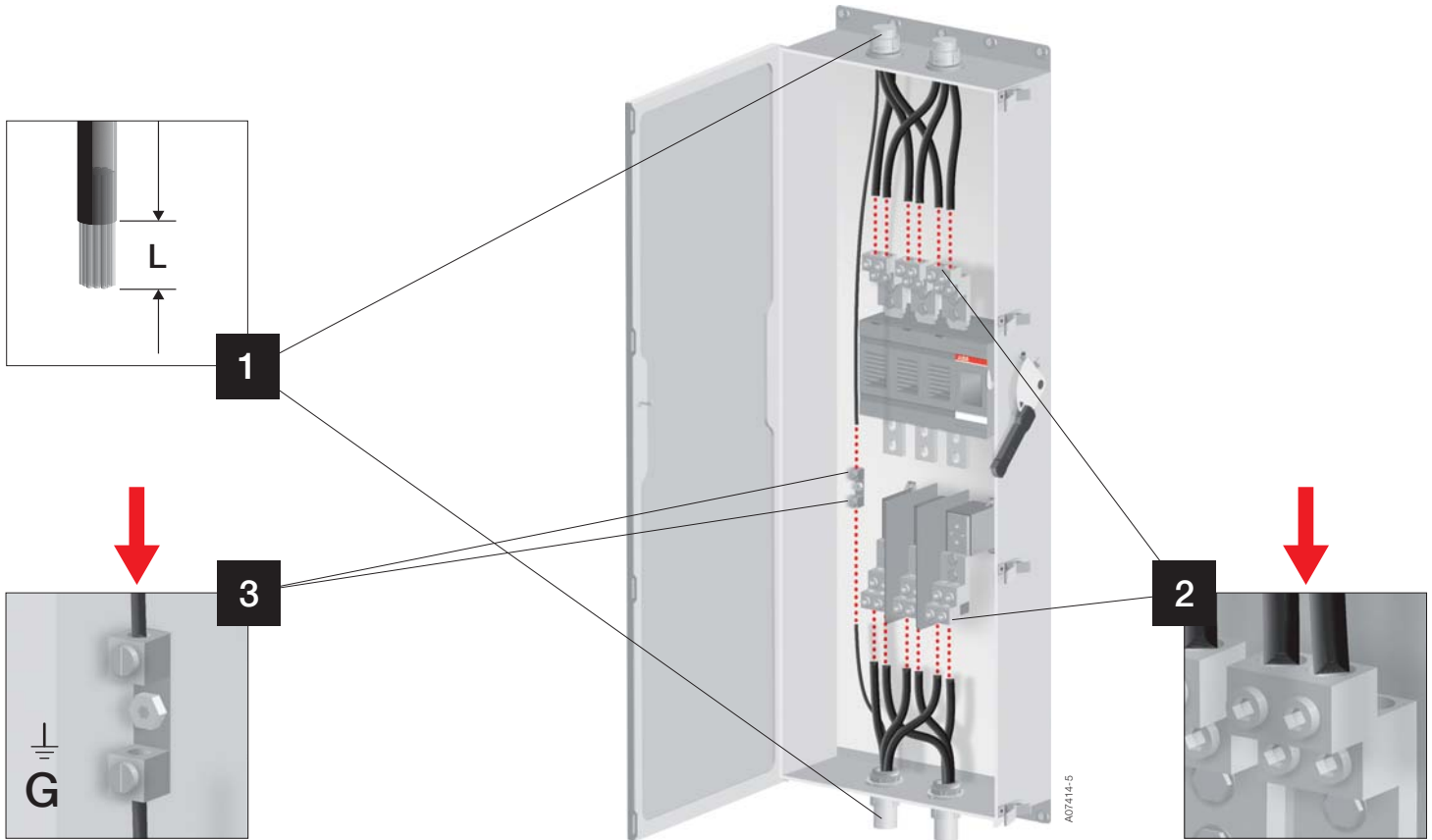
HAZARD OF INJURY OR EQUIPMENT DAMAGE

Do not in any circumstances bend or twist the locking hook fixed on the door. Wrong position of the door hook causes the malfunction of the locking mechanism that may result in personal injury or equipment damage.

Failure to follow these instructions can result in injury or equipment damage.

Installation Wiring

1



Wiring

Connect the power wires to the switch and the fuse base terminals and connect the ground wire to the ground terminal block inside the enclosure. Refer to the National Electric Code and all local codes for appropriate wire size and grounding requirements. See chapter Cabling. All cables must have 167 °F / 75 °C minimum rating.

Switch terminals are not intended to support the weight of the cables, so installer must provide adequate cable support. To avoid placing a strain on the line and load terminals, bend the cable carefully. Undue strain may cause terminal distortion and adversely affect the performance of the switch.



DANGER

HAZARD OF ELECTRIC SHOCK, EXPLOSION, OR ARC FLASH

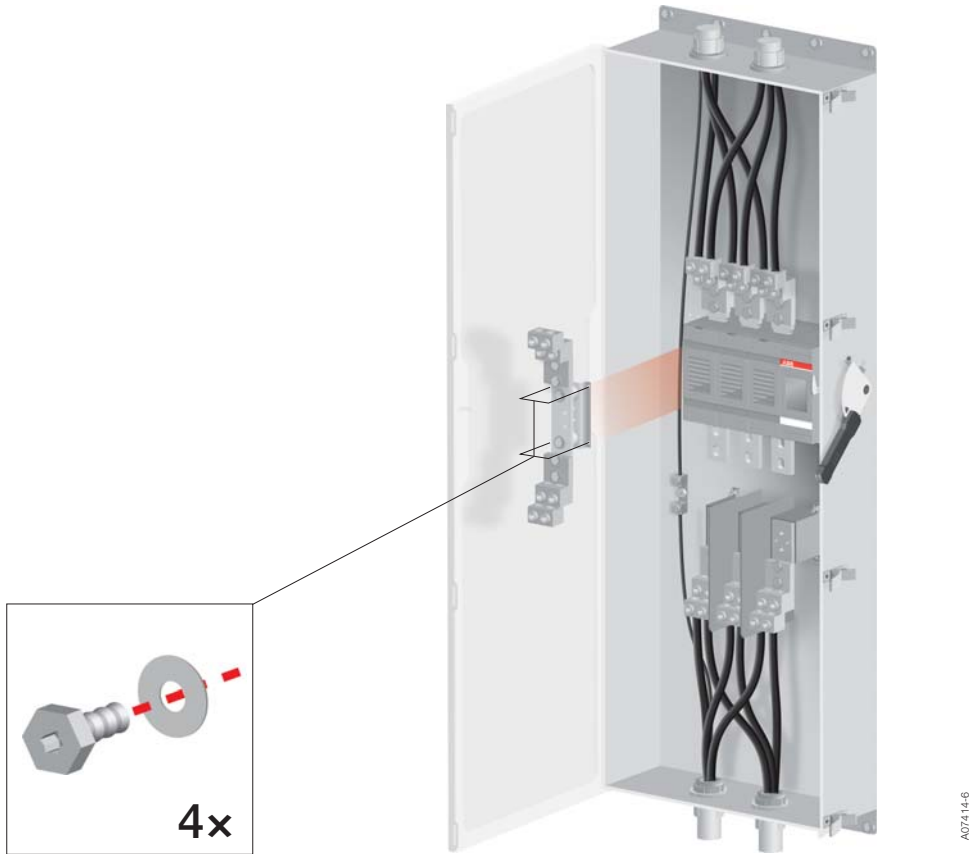
See general safety instructions on page 1/2 before proceeding.

Failure to follow these instructions will result in death or serious injury.

Safety switch size [A]	Line / load side terminal lugs		Ground bus	
	Wire range [kcmil ; mm ²]			
800	(4) #2 - 600 ; 4x35 - 300 /		#6 - 250 ; 10 - 120	
	(4) #2 - 600 ; 4x35 - 300			
1200	(6) #2 - 750 ; 6x35 - 380 /		#6 - 250 ; 10 - 120 or	
	(4) #2 - 600 ; 4x35 - 300		(2) #6 - 250 ; 10 - 120	
	Wire strip length L [in ; mm ²]			
800	1.34 - 1.37 ; 32 - 35		0.91 - 0.99 ; 23 - 25	
1200	1.34 - 1.37 ; 32 - 35		0.91 - 0.99 ; 23 - 25	
	Wire tightening torque			
	[lbs.in]	[Nm]	[lbs.in]	[Nm]
800	500	55.7	275	31.1
1200	Line side:	Line side:	275	31.1
	620 (#750 kcmil) or	70.1 (380 mm ²) or		
	500 (#2 - 600 kcmil)	55.7 (2x35 - 300 mm ²)		
	Load side: 500	Load side: 55.7		

Installation

Neutral assembly (optional)



Neutral assembly (EOHXS78), optional

Install the neutral link on the bottom plate of the safety switch to the existing threaded holes according to the picture. See chapter Cabling.

EOHXS78:

Wire range: (4) #2 - 600 kcmil / 4 x 35 -300 mm²

Torque: wire tightening for Cu and Al cables 500 lbs.in / 55.7 Nm



DANGER

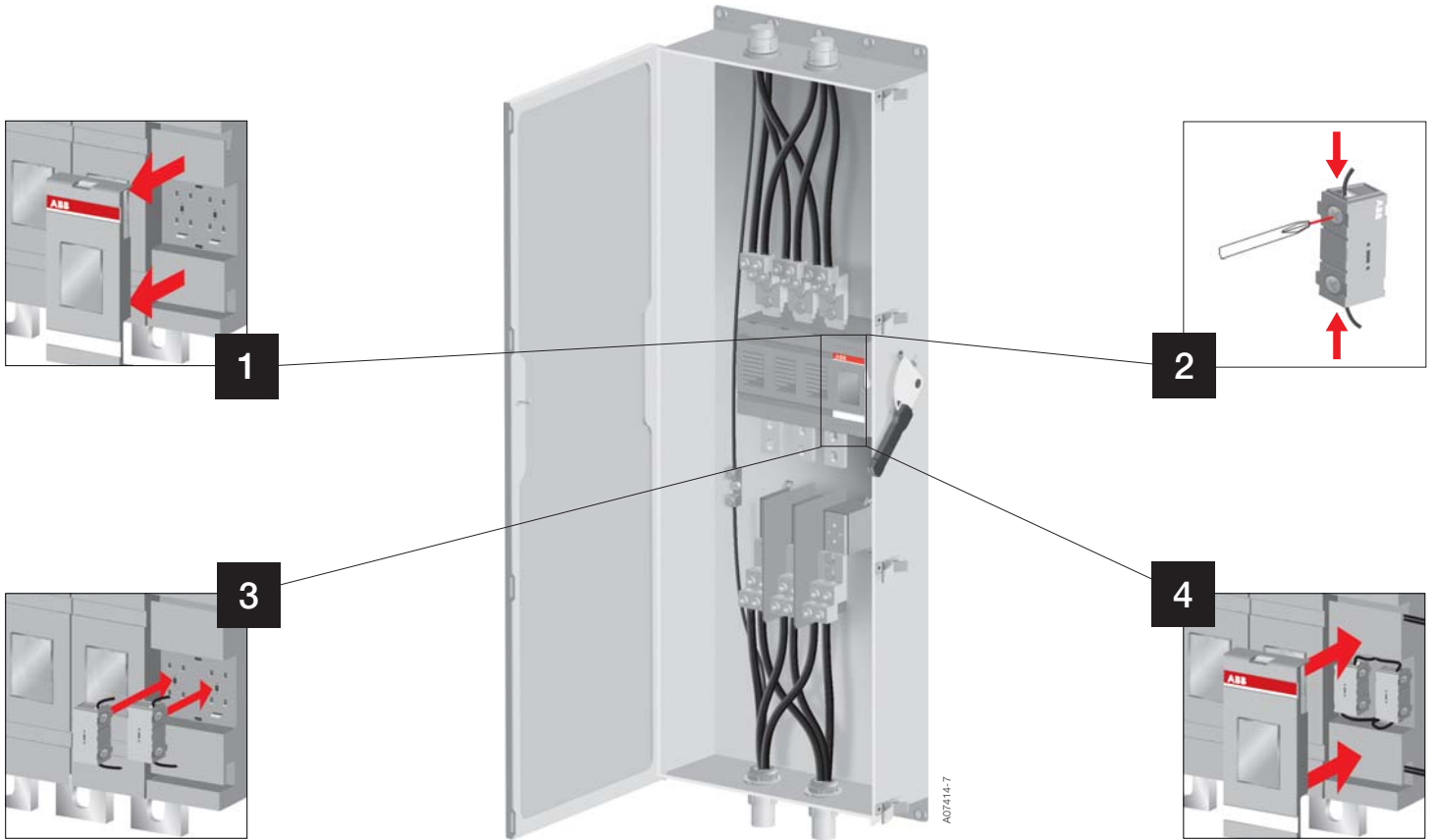
HAZARD OF ELECTRIC SHOCK, EXPLOSION, OR ARC FLASH
See general safety instructions on page 1/2 before proceeding.

Failure to follow these instructions will result in death or serious injury.

Installation

Auxiliary contact (optional)

1



Auxiliary contacts OA1G10 and OA3G01 (optional)

Install the auxiliary contacts to the safety switch mechanism according to the picture. Please, leave the mechanism cover off, when the maximum amount of auxiliary contacts (3 or 4 pcs) is used. See chapter Cabling.

Wire size: 1 - 2 × 18 - 14 AWG, 1 - 2 × 0.75 - 25 mm²

Torque: 7 lbs.in, 0.78 Nm

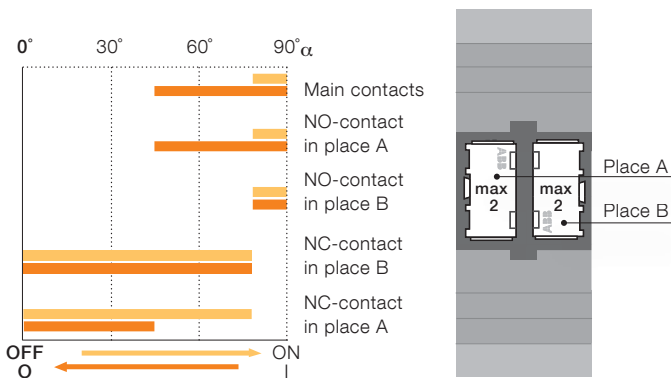


DANGER

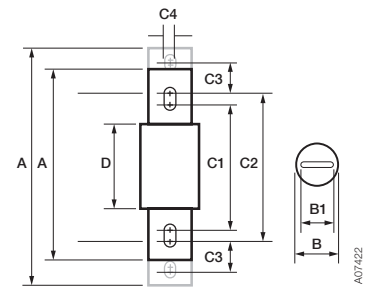
HAZARD OF ELECTRIC SHOCK, EXPLOSION, OR ARC FLASH

See general safety instructions on page 1/2 before proceeding.

Failure to follow these instructions will result in death or serious injury.



Installation Fuses



Fuses (switches are supplied without fuses)

Install the fuses to the fuse base. Fuses have to be ordered separately. Follow the instructions of the fuse supplier.

The standard delivery includes fuse bases suitable for class L fuses and the fuse mounting bolts:

- 800 A: 3 pcs of screws UNC 1/2 - 13x1 1/4", 3 pcs of screws UNC 1/2 - 13x1 1/2", nuts and washers
- 1200 A: 12 pcs of screws UNC 1/2 - 13x1 1/4", nuts and washers



DANGER

HAZARD OF ELECTRIC SHOCK, EXPLOSION, OR ARC FLASH

See general safety instructions on page 1/2 before proceeding.

Failure to follow these instructions will result in death or serious injury.

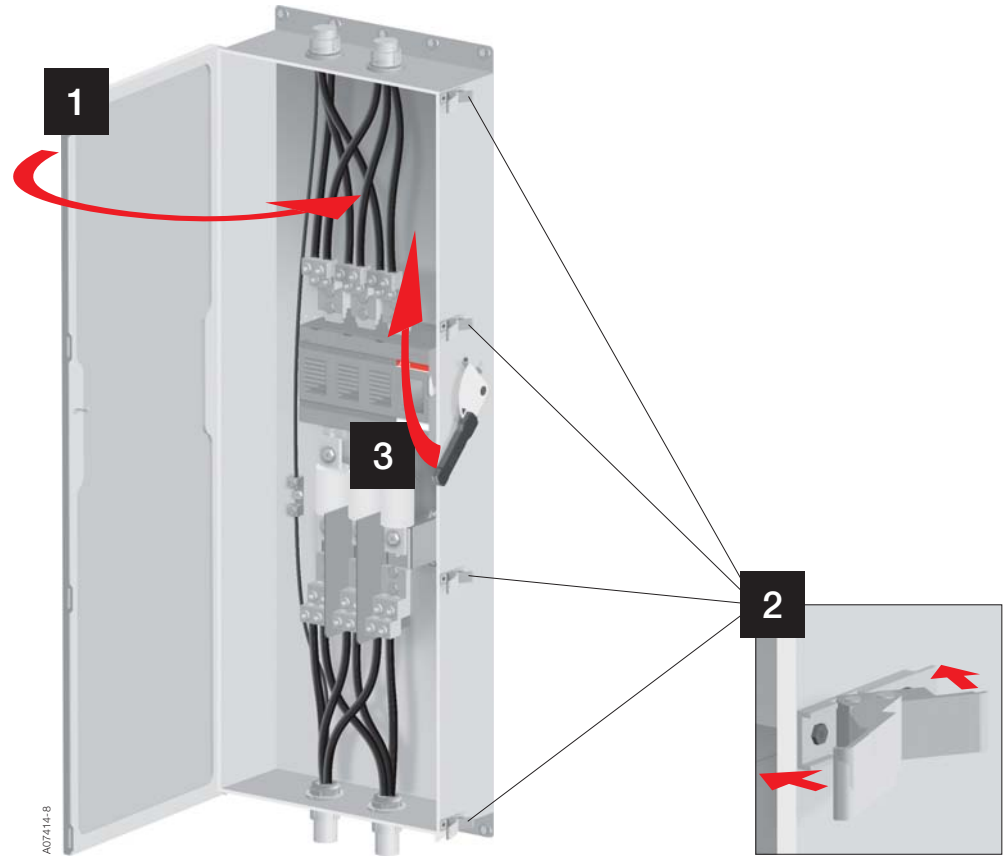
Fuses, type L

Switch size	Fuse size	Dimensions							
		A [in] / [mm]	B [in] / [mm]	B1 [in] / [mm]	C1 [in] / [mm]	C2 [in] / [mm]	C3 [in] / [mm]	C4 [in] / [mm]	D [in] / [mm]
800 A	800 A	8.63 / 219.2	2.5 / 63.5	2 / 61	5.75 / 146.1	6.75 / 171.5	-	0.63 / 15.9	3.75 / 95.2
1200 A	1200 A	10.75 / 273.1	2.5 / 63.5	2 / 61	5.75 / 146.1	6.75 / 171.5	1.38 / 35	0.63 / 15.9	3.75 / 95.2

Operation

Operating the switch

1



Closing the enclosure and operation to the ON-position

Close the enclosure door and the latches according to the picture. Operate switch to the ON-position.

NOTE: The door must be closed and fastened securely with the door latches before the switch is operated.

! CAUTION

HAZARD OF INJURY OR EQUIPMENT DAMAGE

Do not in any circumstances bend or twist the locking hook fixed on the door. Wrong position of the door hook causes the malfunction of the locking mechanism that may result in personal injury or equipment damage.

Failure to follow these instructions can result in injury or equipment damage.

! CAUTION

HAZARD OF INJURY OR EQUIPMENT DAMAGE

Do not force the handle to the ON (I) position with the door open. When the door is open, the mechanism interlock prevents the switch blades from closing and the handle from fully rotating.

Failure to follow these instructions can result in injury or equipment damage.

Operation

Operating mechanism



Door interlock mechanism

A door interlock prevents opening the enclosure door if the switch is in ON-position. It also works in conjunction with the mechanism interlock, which prevents the operation to ON-position if the enclosure door is open.

The door interlock:

- A. Prevents the enclosure door from opening when the switch is in the ON (I) position unless the interlock bypass screw is rotated clockwise defeating the door interlock, see next page.
- B. Permits opening the enclosure door with the switch in the OFF (O) position without turning the interlock bypass screw.
- C. The door will close completely but will not latch with the switch in the OFF (O) position.
- D. The door will close completely and will be held closed by the door interlock when the switch is in the ON (I) position.
- E. With the door closed completely, the mechanism interlock will engage the door interlock when the switch is thrown from the OFF (O) to the ON (I) position.



DANGER

HAZARD OF ELECTRIC SHOCK, EXPLOSION, OR ARC FLASH

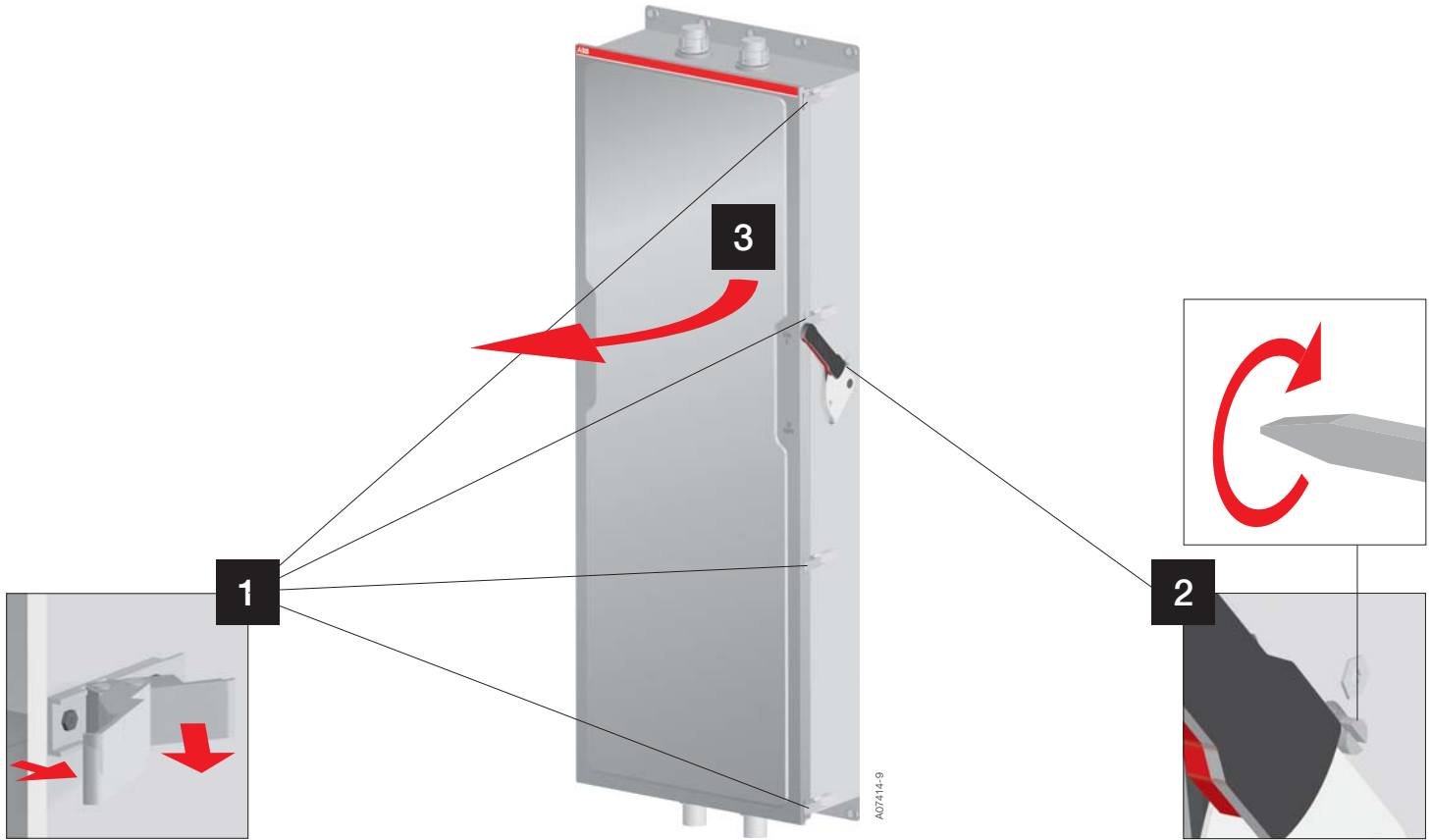
See general safety instructions on page 1/2 before proceeding.

Failure to follow these instructions will result in death or serious injury.

Operation

Operating mechanism

1



Defeating the door interlock mechanism

The door of the safety switch cannot be opened when the switch is in the ON-position. This can be defeated to allow authorized personnel access for inspection.

Note: Only qualified personnel should perform this procedure.



DANGER

HAZARD OF ELECTRIC SHOCK, EXPLOSION, OR ARC FLASH

Bypassing the door interlock will expose the operator to live parts and is not recommended. Only qualified personnel should perform this procedure.

Failure to follow these instructions will result in death or serious injury.



CAUTION

HAZARD OF INJURY OR EQUIPMENT DAMAGE

Do not in any circumstances bend or twist the locking hook fixed on the door. Wrong position of the door hook causes the malfunction of the locking mechanism that may result in personal injury or equipment damage.

Failure to follow these instructions can result in injury or equipment damage.



DANGER

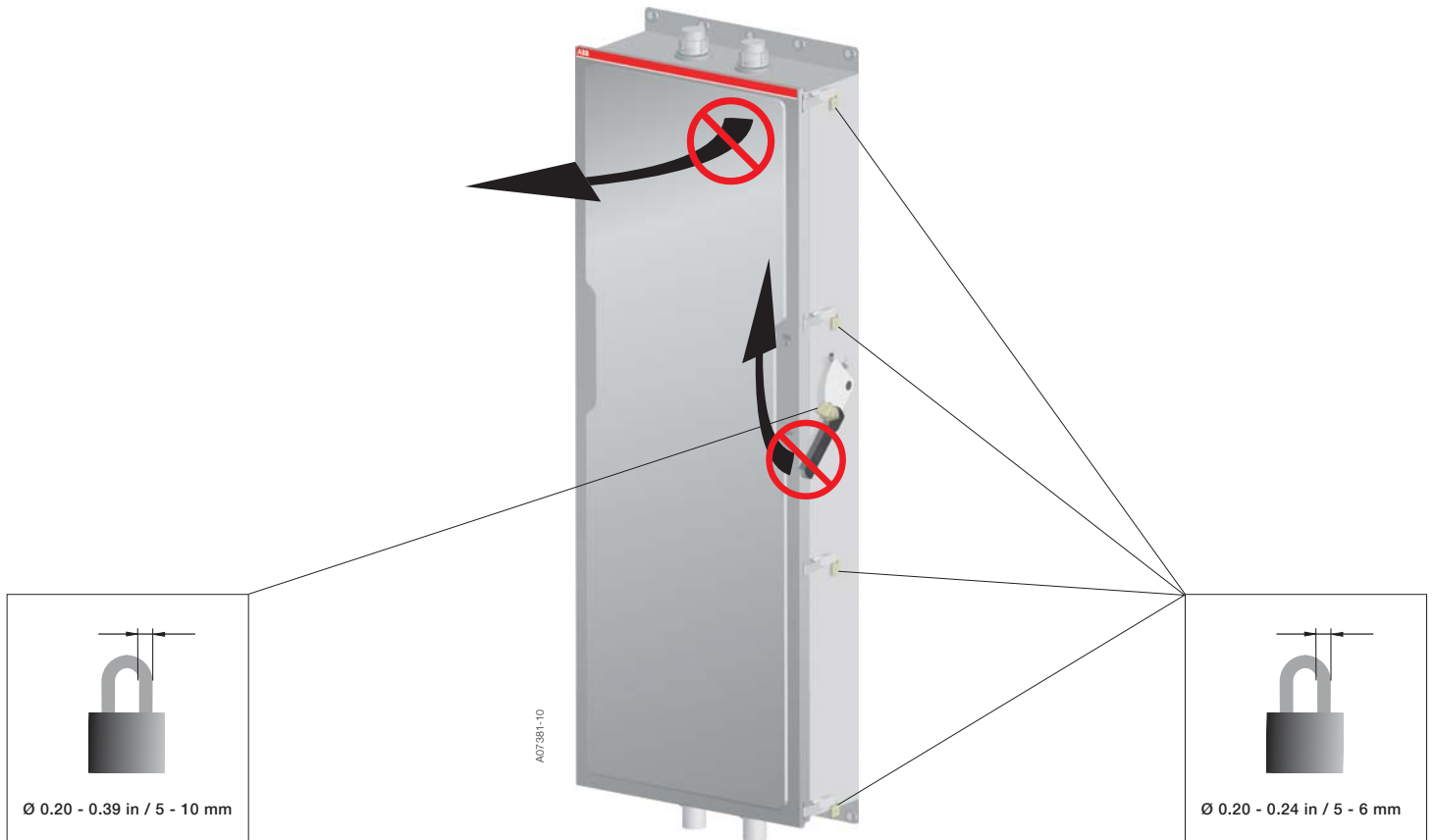
HAZARD OF ELECTRIC SHOCK, EXPLOSION, OR ARC FLASH

See general safety instructions on page 1/2 before proceeding.

Failure to follow these instructions will result in death or serious injury.

Operation

Padlocking the handle and door latches



Padlocking the handle

Operating handle can be padlocked in the OFF-position with up to three padlocks.

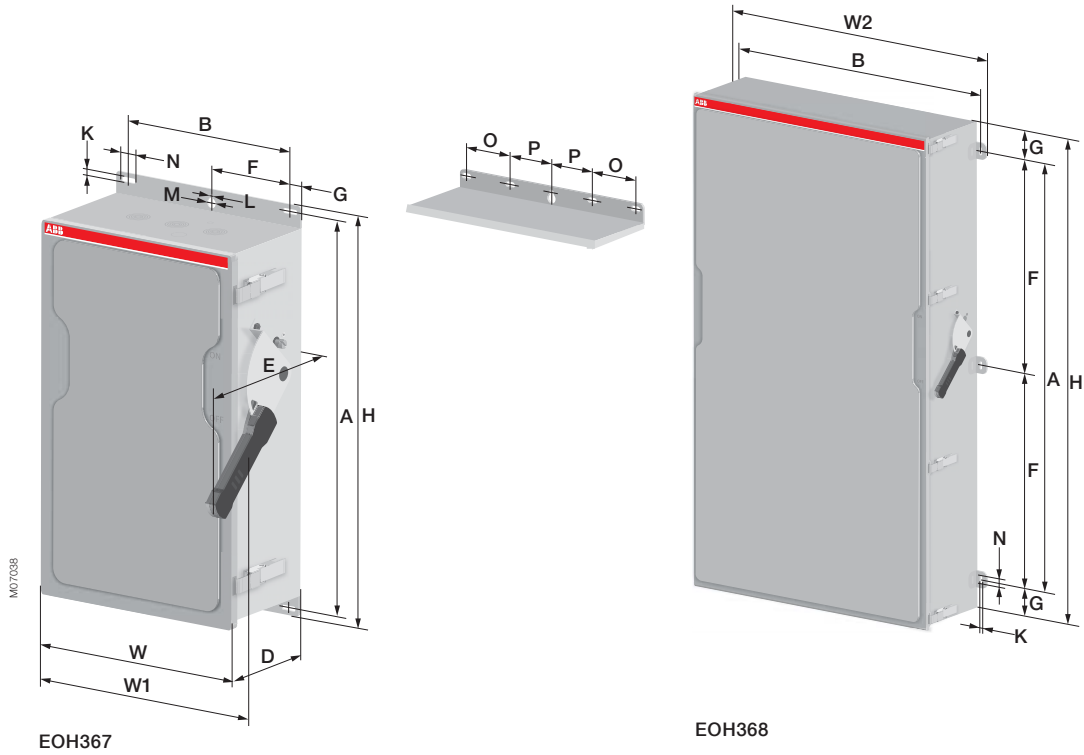
Padlocking the door latches

Door latches can be padlocked by one padlock each to prevent unauthorized access to inside of enclosure.

Dimension drawings

EOH367, EOH368 / NEMA 1 / 800 A, 1200 A

1



Catalog number	Size											
	H		W		W1		W2		D		E	
	[in]	[mm]	[in]	[mm]	[in]	[mm]	[in]	[mm]	[in]	[mm]	[in]	[mm]
EOH367	62.68	1592	22.99	584	24.53	623	-	-	8.50	216	11.61	295
EOH368	68.90	1750	39.96	1015	41.77	1061	43.11	1095	12.60	320	11.61	295

Catalog number	Fixing dimensions										Fixing hole									
	A		B		F		O		P		G		N		K		L		M	
	[in]	[mm]	[in]	[mm]	[in]	[mm]	[in]	[mm]	[in]	[mm]	[in]	[mm]	[in]	[mm]	[in]	[mm]	[in]	[mm]	[in]	[mm]
NEMA 12 and 3R																				
EOH367	60.32	1532	19.69	500	9.84	250	5.20	132	4.88	124	1.18	30					0.55	14	0.98	25
EOH368	60.95	1548	41.14	1045	30.47	774	-	-	-	-	3.98	101	1.18	30	0.39	10	-	-	-	-

Accessories (optional)

Ordering information



EOHXS78

Neutral assembly

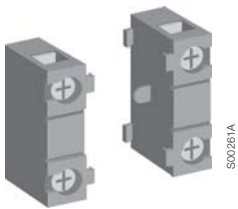
Mounting screws included as standard. Units/catalog number = 1 piece.

Suitable for safety switch	Includes terminal lug	Catalog number	Weight/unit [kg]
Solid, mountable separately to the mounting plate			
EOH367, _8	OZXA-1200	EOHXS78	1.5

Auxiliary contact blocks, IP20

Contact numbering according to EN 50013. Units/catalog number = 1 piece.

Mounting under the mechanism cover. Max. 2 auxiliary contacts (Max. 4 auxiliary contacts if the mechanism cover is not placed).



OA_

Suitable for safety switch	Function	Catalog number	Weight/unit [kg]
EOH367, _8	1NO	OA1G10	0.03
EOH367, _8	1NO	OA1G10AU ¹⁾	0.03
EOH367, _8	1NC	OA3G01	0.03
EOH367, _8	1NC	OA3G01AU ¹⁾	0.03

¹⁾ Catalog numbers with _AU are gold plated for extremely difficult circumstances and low voltages.

Maintenance

Replacement parts, ordering information

1



OT800U30EOHR

Switch-disconnects

Includes terminal lugs. Units/catalog number = 1 piece.

Suitable for safety switch	General purpose current rating [A]	Max. horse power rating [HP] Three phase			Catalog number
		240 V	480 V	600 V	
EOH367	800	250	500	500	OT800U30EOHR
EOH368	1200	250	500	500	OT1200U30EOHR



OT1200U30EOHR

Fuse bases

Mounting screws, terminal lugs and fuse clips included as standard. Units/catalog number = 1 piece.

Suitable for safety switch	Fuse type	Catalog number
EOH367, _8	Class L	EOHFB78



EOHFB78



EOHH2/3

Other replacement parts

Suitable for safety switch	Mounting bolts	Fuse type	Catalog number
Handle kit			

Handle, shaft, handle shield and mounting screws included as standard. Units/catalog number = 1 piece.

EOH367			EOHH2
EOH368			EOHH3

Door interlock mechanism

Mounting screws included as standard. Units/catalog number = 1 piece.

EOH367		EOHLM2
EOH368		EOHLM3

Fuse mounting bolt kits for L fuses

Includes mounting bolts and washers. Catalog number EOHFBK7 also includes nuts.

EOH367	3 pcs UNC 1/2-13x1 1/4" and 3 pcs UNC 1/2-13x 1 1/2"	800 A /L -fuse	EOHFBK7
EOH368	12 pcs UNC 1/2-13x 1 1/4"	1200 A /L -fuse	EOHFBK8

Line side lug assembly

Mounting screws included as standard. Units/catalog number = 3 pieces.

EOH367		OZXA-1200/3
EOH368		OZXA-1200E/3

Load side lug assembly

Mounting screws included as standard. Units/catalog number = 3 pieces.

EOH367, _8		OZXA-1200/3
------------	--	-------------

Door assembly

Includes a door, ABB logo stripe, labels and hinges with screws as standard. Units/catalog number = 1 piece.

EOH367		EOHFD7
EOH368		EOHFD8




EOHFD7/8

Maintenance

Installation and maintenance log

Maintenance

The switch is properly lubricated at the factory. No lubrication is required. However, careful cleaning is required after wire connections and mounting of additional accessories, fuses and replacement parts. The cleaning and checking of wire connections are recommended to be performed once a year.

**DANGER**

HAZARD OF ELECTRIC SHOCK, EXPLOSION, OR ARC FLASH
See general safety instructions on page 1/2 before proceeding.

Failure to follow these instructions will result in death or serious injury.

Installation and maintenance log

All service performed on this device should be recorded in the Installation and Maintenance Log.

Date of installation of the safety switch: _____

Description of service performed	Reason for servicing	Special observations of device	Date of service	Name of person performing service

Series EOH

Interruptores fusibles de seguridad de servicio pesado

2

Instrucciones de seguridad	2/2
Recibo, manejo y almacenamiento	2/3
Aplicaciones	2/4
Visión general del producto	2/5
EOH367, EOH368	2/5
Datos nominales	2/6
Interruptores fusibles de seguridad de servicio pesado	2/6
Cableado	2/7
Interruptores fusibles de seguridad de servicio pesado	2/7
Barra del neutro	2/8
Instalación	2/9
Apertura del gabinete	2/9
Entradas/Salidas de cable	2/10
Montaje	2/11
Conexión de cableado	2/12
Ensamble de la terminal de neutro (opcional)	2/13
Contactos auxiliares (opcional)	2/14
Fusibles	2/15
Operación	2/16
Operación del interruptor	2/16
Mecanismo de operación	2/17
Enclavamiento de la palanca y cerradura	2/19
Dimensiones generales	2/20
EOH367, EOH368 / NEMA 1 / 800 A, 1200 A	2/20
Accesorios (opcional)	2/21
Información de pedido	2/21
Mantenimiento	2/22
Piezas de repuesto, información de pedido	2/22
Registro de Instalación y Mantenimiento	2/23

Lea con detenimiento estas instrucciones antes de utilizar este producto

2



PELIGRO

PELIGRO DE DESCARGA ELÉCTRICA, EXPLOSIÓN O DESTELLO POR ARQUEO

- Utilice equipo de protección personal (EPP) apropiado y siga las prácticas de seguridad eléctrica establecidas por su compañía. Consulte la norma 70E de NFPA o CSA Z462.
- Solamente el personal eléctrico especializado deberá instalar y prestar servicio de mantenimiento a este equipo.
- Desenergice el equipo antes de realizar inspecciones, pruebas o dar mantenimiento. Siempre asuma que todos los circuitos están energizados a menos de que hayan sido desenergizados, probados, aterrizados y marcados. Tome en cuenta todas las fuentes de energía, e incluso la posibilidad de retroalimentación.
- Nunca haga funcionar el interruptor energizado con la puerta abierta.
- Desconecte el interruptor antes de retirar o instalar los fusibles o realizar las conexiones del lado de carga.
- Siempre utilice un dispositivo detector de tensión nominal adecuado en todos los clips para fusibles en los lados de línea y carga para confirmar la desenergización del interruptor.
- Desenergice el interruptor antes de realizar cualquier otro trabajo dentro o fuera de él.
- No use fusibles renovables en los interruptores fusibles.

El incumplimiento de estas instrucciones podrá causar la muerte o lesiones serias.

Recibo, manejo y almacenamiento

Recibo y manejo

Al recibir el interruptor, realice cuidadosamente una inspección visual para ver si encuentra daños que pudiesen haber ocurrido durante el transporte. Si los daños son evidentes, o existe indicación visible de manejo inapropiado, de inmediato presente una reclamación ante la compañía de transporte y notifique a la oficina local de ventas de ABB.

No retire estas cintas sino hasta que esté listo para instalarlo.

Almacenamiento

Si la unidad no va a ser puesta en servicio de inmediato, almacénela con la plataforma para manejo de mercancías original, en un lugar limpio y seco. Para evitar condensación, mantenga la temperatura uniforme. Almacene la unidad en un edificio con calefacción y circulación de aire adecuada, y protéjala de la suciedad y humedad. Si se almacena en el exterior podría formarse condensación peligrosa dentro del gabinete del interruptor.

2



ADVERTENCIA

PELIGRO DE QUE SE VOLTEE EL EQUIPO

Al mover el equipo con un montacargas, no retire las cintas de transporte ni la cinta de acero sino hasta que el equipo esté en su ubicación final.

El incumplimiento de esta instrucción puede causar lesiones personales o daño al equipo.

La serie EOH de interruptores fusibles de servicio pesado son tripolares y tienen una tensión nominal de 600 V. Los gabinetes están hechos de acero y tienen protección de tipo 1 de acuerdo a la norma UL. La operación se lleva a cabo mediante una palanca lateral.

La serie EOH de interruptores fusibles de servicio pesado tiene la capacidad de conectar y desconectar circuitos y ofrecen protección contra sobrecarga mediante fusibles. Los interruptores se pueden utilizar como medio de desconexión, en el lado de la carga o como desconectores de motores.

Número de catálogo:

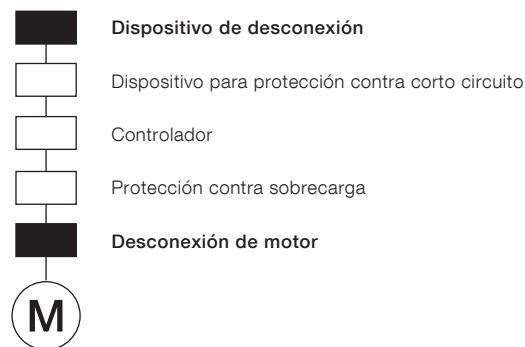
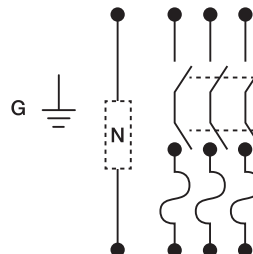
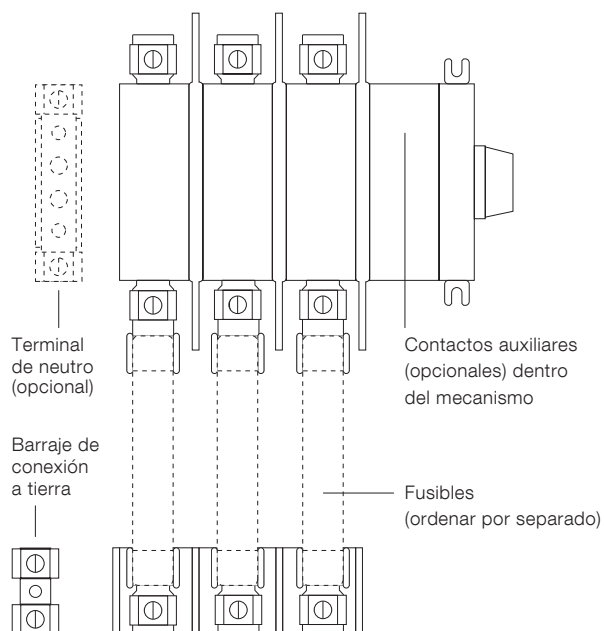
NEMA1: EOH367, EOH368

Corriente nominal: 800A y 1200A

Normas: UL98, UL50, UL4248-1, NEMA KS1, CSA

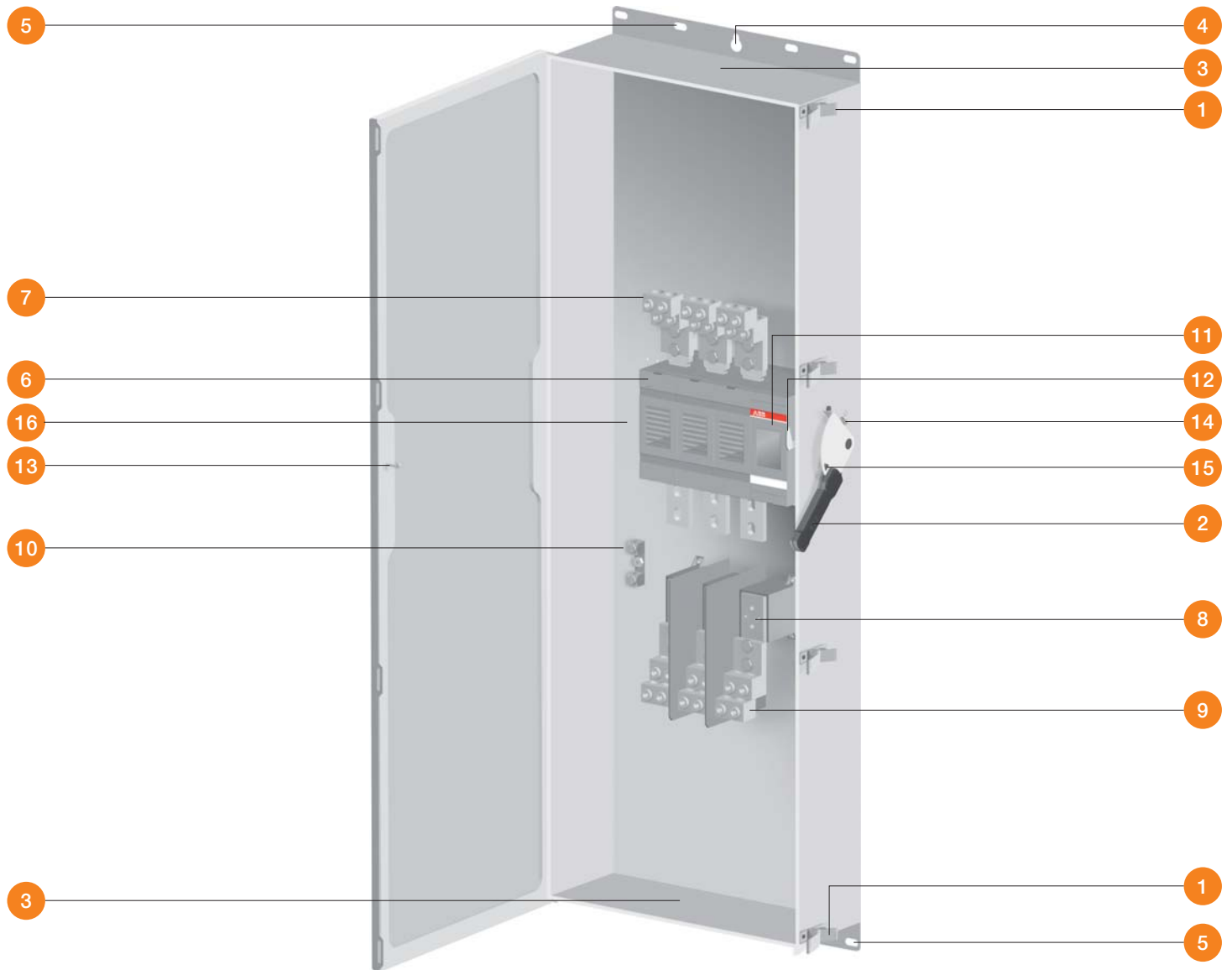
Especificación del material del gabinete: Acero electrogalvanizado, Espesor: puerta 0.079 in/2 mm, paredes del gabinete 0.079 in/2 mm, superficie inferior 0.079 in / 2 mm (EOH367_) o 0.118 in / 3 mm (EOH368_). Palanca de poliamida reforzada con vidrio (PAf1), policarbonato (PCf1)

Color del gabinete: ANSI 61 (gris claro).



Los interruptores fusibles de servicio pesado EOH367, EOH368 tienen una tensión nominal de 600 V, trifásicos e incluyen el barraje de conexión a tierra. La terminal de neutro se puede incluir de manera opcional.

Visión general del producto EOH367, EOH368



1. Cerradura de la puerta
2. Palanca
3. Salidas de cable: Superficie lisa (sin pre-agujeros)
4. Agujero bocallave para montaje de interruptor
5. Agujeros para montaje del interruptor
6. Interruptor tripolar, contacto de doble cuchilla
7. Zapatillas para terminales de entrada (interruptor)
8. Portafusible
9. Zapatillas para terminales de salida (portafusibles)
10. Barraje de conexión a tierra (2 zapatillas)
11. Mecanismo de operación, espacio interior para montaje de contactos auxiliares (opcional)
12. Mecanismo para bloqueo de puerta
13. Gancho para bloquear el mecanismo de bloqueo de puerta
14. Tornillo desactivador del mecanismo de bloqueo de puerta (Atención: solamente el personal autorizado debe de llevar a cabo este procedimiento)
15. Agujero para enclavamiento
16. Espacio para terminal de neutro (opcional)
17. Espacio para terminal de neutro (opcional)

Datos nominales

Interruptores fusibles de seguridad de servicio pesado

2

Tipo de interruptor fusible de seguridad				EOH367	EOH368
AMPS				800	1200
Corriente nominal			A	800	1200
Potencia máxima (HP)	Trifásica	240 V	HP	250	250
		480 V	HP	500	500
		600 V	HP	500	500
Potencia estándar (HP)	Trifásica	240 V	HP	100	100
		480 V	HP	200	200
		600 V	HP	250	250
Máxima corriente FLA del motor	Trifásica	240 V	A	600	600
		480 V	A	590	590
		600 V	A	472	472
Especificación de corto circuito	Fusibles clase L	480 V	kA	200	200
	Fusibles clase L	600 V	kA	200	200
Máximo tamaño de fusible			A	800	1200
Clips estándar para fusibles				L	L
Terminales a tierra					
Tipo de barraje de conexión a tierra				OZXG2	OZXG2 or OZXG3
Especificación de temperatura			°F	167	167
			°C	75	75
Contactos auxiliares, opcional					
Contactos auxiliares apropiados		Función	1NO	OA1G10	OA1G10
			1NC	OA3G01	OA3G01
Datos nominales NEMA, CC				AC600	AC600
Tensión nominal, VCC			VCC	600	600
Corriente térmica nominal, A			A	10	10
Máxima potencia nominal de cierre, VA CC			VA	7200	7200
Máxima potencia nominal de corte, VA CC			VA	720	720
Datos nominales NEMA, CD				R300	R300
Tensión nominal, VCD			VCD	300	300
Corriente térmica nominal, A			A	1	1
Máxima potencia nominal de cierre-corte, VA			VA	28	28

Cableado

Interruptores fusibles de seguridad de servicio pesado

Cableado / Interruptores fusibles de seguridad de servicio pesado

Ubicación de cables de entrada/salida:

Entrada en la parte superior y salida en la parte inferior, lo cual maximiza el área de cableado. Las entradas y salidas de cables deben de seguir la norma NEC (National Electrical Code) y todas las normas o códigos locales.

Vea la figura en el capítulo Instalación - Conexión de cableado. Para interruptores de 800 A y 1200 A, utilice una llave hexagonal 1/2 para ambos lados (terminal y carga).



ADVERTENCIA

Para evitar daños por descarga eléctrica, desenergice y desconecte el interruptor antes de llevar a cabo la instalación o mantenimiento.

2

Tipo de interruptor fusible de seguridad		EOH367	EOH368
AMPS	A	800	1200
Zapata de entrada (terminal del interruptor)			
Zapata		OZXA-1200	OZXA-1200E
Par de apriete de cable, Cu y Al (Calibre)	lbs.in (kcmil)	500	620 (#750)
	Nm (mm ²)	55.7	70.1 (380)
Par de apriete de cable, Cu y Al (Calibre)	lbs.in (kcmil)	500	500 (#2 - 600)
	Nm (mm ²)	55.7	55.7 (2x 35 - 300)
Par de apriete para montaje de zapata	lbs.in	443	319
	Nm	50.1	36.0
Rango de calibres	kcmil	(4) #2 - 600	(6) #2 - 750
	mm ²	4x35 - 300	6x35 - 380
Zapatillas de salida (terminal del portafusible)			
Zapata		OZXA-1200	OZXA-1200
Par de apriete de cable, Cu y Al (Calibre)	lbs.in	500	500
	Nm	55.7	55.7
Par de apriete para montaje de zapata	lbs.in	443	319
	Nm	50.1	36.0
Rango de calibres	kcmil	(4) #2 - 600	(4) #2 - 600
	mm ²	4x35 - 300	6x35 - 380
Barraje de conexión a tierra (2 zapatas)			
Desatornillador		5/16" Hex	5/16" Hex
Tipo de Barraje de conexión a tierra		OZXG2	OZXG2 o ZXG3
Par de apriete de cable, Cu y Al (Calibre)	lbs.in	275	275
	Nm	31.1	31.1
Máximo par de apriete del perno	lbs.in	72	72
	Nm	8.1	8.1
Rango de calibres	kcmil	#6 - 250	OZXG2: #6 - 250
	kcmil		OZXG3: (2) #6 - 250
	mm ²	10 - 120	OZXG2: 10 - 120
	mm ²		OZXG3: 2x10 - 120

Cableado

Barra del neutro

2

Cableado/Barra del neutro

Utilice una llave hexagonal 1/2. Vea la figura en el capítulo Instalación - Ensamble de la terminal de neutro (opcional).

Interruptor fusible de seguridad - Número de catálogo		EOH367	EOH368
AMPS	A	800	1200
Tipo de barra del neutro		EOHXS78	EOHXS78
Barra del neutro/zapatás			
Zapata		OZXA-1200	OZXA-1200
Par de apriete de cable, Cu y Al (Calibre)	lbs.in	500	500
	Nm	55.7	55.7
Par de apriete para montaje de zapata	lbs.in	443	443
	Nm	50.1	50.1
Rango de calibres	kcmil	(4) #2 - 600	(4) #2 - 600
	mm ²	4x35 - 300	4x35 - 300

Cableado/contactos auxiliares (opcional)

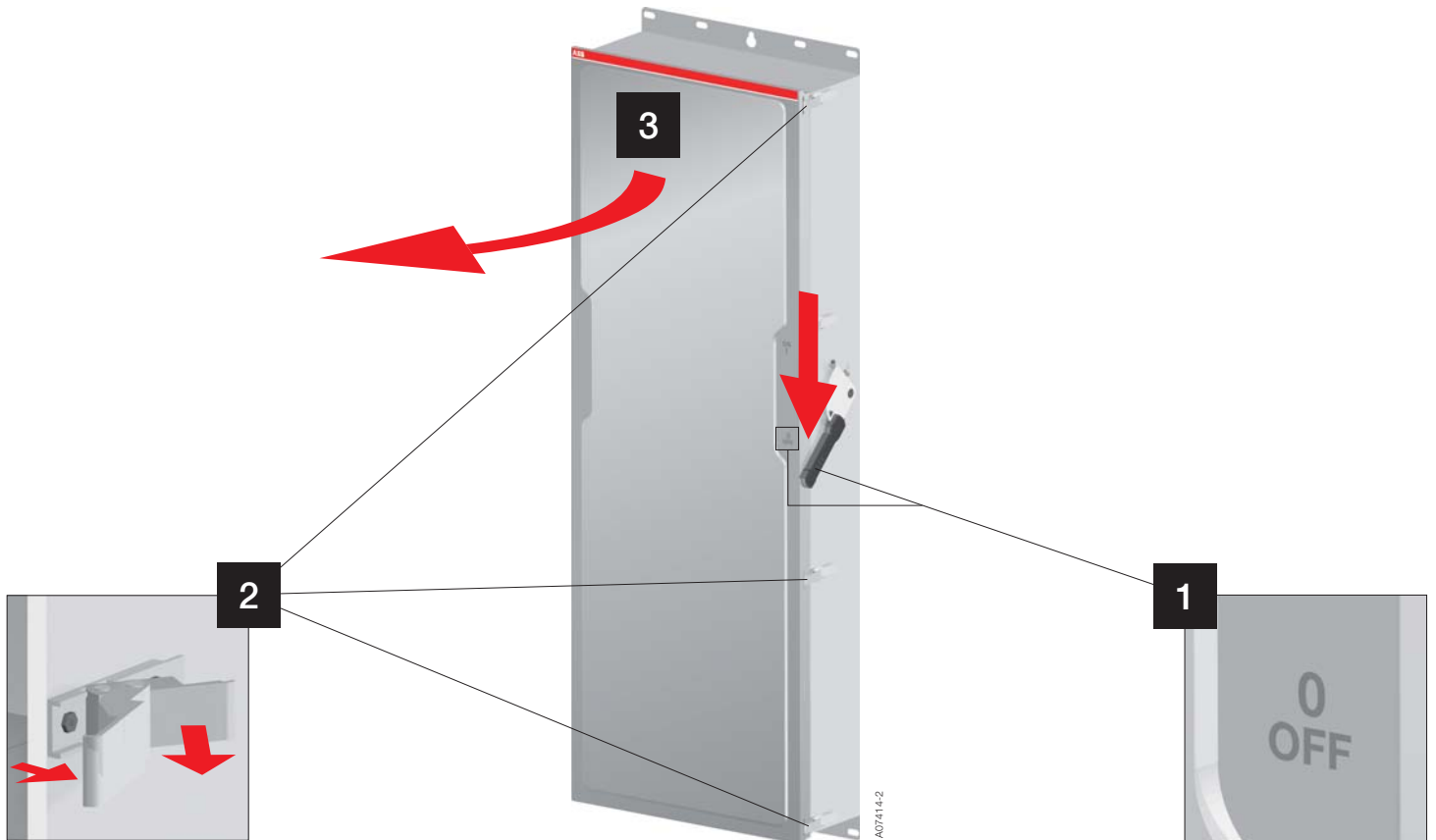
Utilice un destornillador tipo Pozidrive #2 o de punta plana. Vea la figura en el capítulo Instalación - Contactos auxiliares (opcional).

Contactos auxiliares, tipos OA1G10 (1N0), OA3G01 (1NC)	
NEMA	A600, R300
Calibre	1 - 2 x #18 - 14 AWG
	1 - 2 x 0.75 - 2.5 mm ²
Par de apriete	7 lbs.in
	0.78 Nm

Instalación

Apertura del gabinete

2



Apertura del gabinete

Desenergice el interruptor (posición OFF) y abra la cerradura de la puerta de acuerdo a la imagen. Abra el gabinete.



PRECAUCIÓN

PELIGRO DE LESIONES O DAÑO AL EQUIPO

No doble o tuerza el gancho para bloquear el mecanismo, bajo ninguna circunstancia. El gancho en posición incorrecta puede causar lesiones serias o daños al equipo.

El incumplimiento de estas instrucciones podrá causar la muerte o daños en el equipo



PELIGRO

PELIGRO DE DESCARGA ELÉCTRICA, EXPLOSIÓN O DESTELLO POR ARQUEO

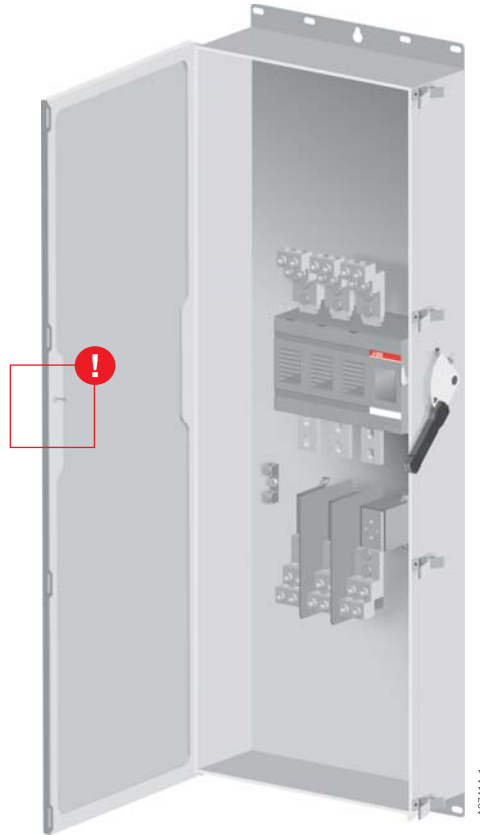
Lea detenidamente las instrucciones en la página 2/2 antes de continuar.

El incumplimiento de estas instrucciones puede causar muerte o lesiones serias.

Instalación

Entradas/Salidas de cable

2



Entrada/salida de cables

Los gabinetes no cuentan con pre-agujeros. La superficie es lisa, con el fin de que el instalador haga los agujeros necesarios. Asegúrese de que las piezas estén libres de viruta u otros residuos de metal.



PRECAUCIÓN

La clasificación NEMA del gabinete debe de permanecer aún después de instalar los cables y conectores. No está permitido hacer otros agujeros que no sean la entrada o salida de cable del gabinete. ABB no se responsabiliza por consecuencias de la instalación de los cables y conectores o si se hacen agujeros adicionales al gabinete.



PRECAUCIÓN

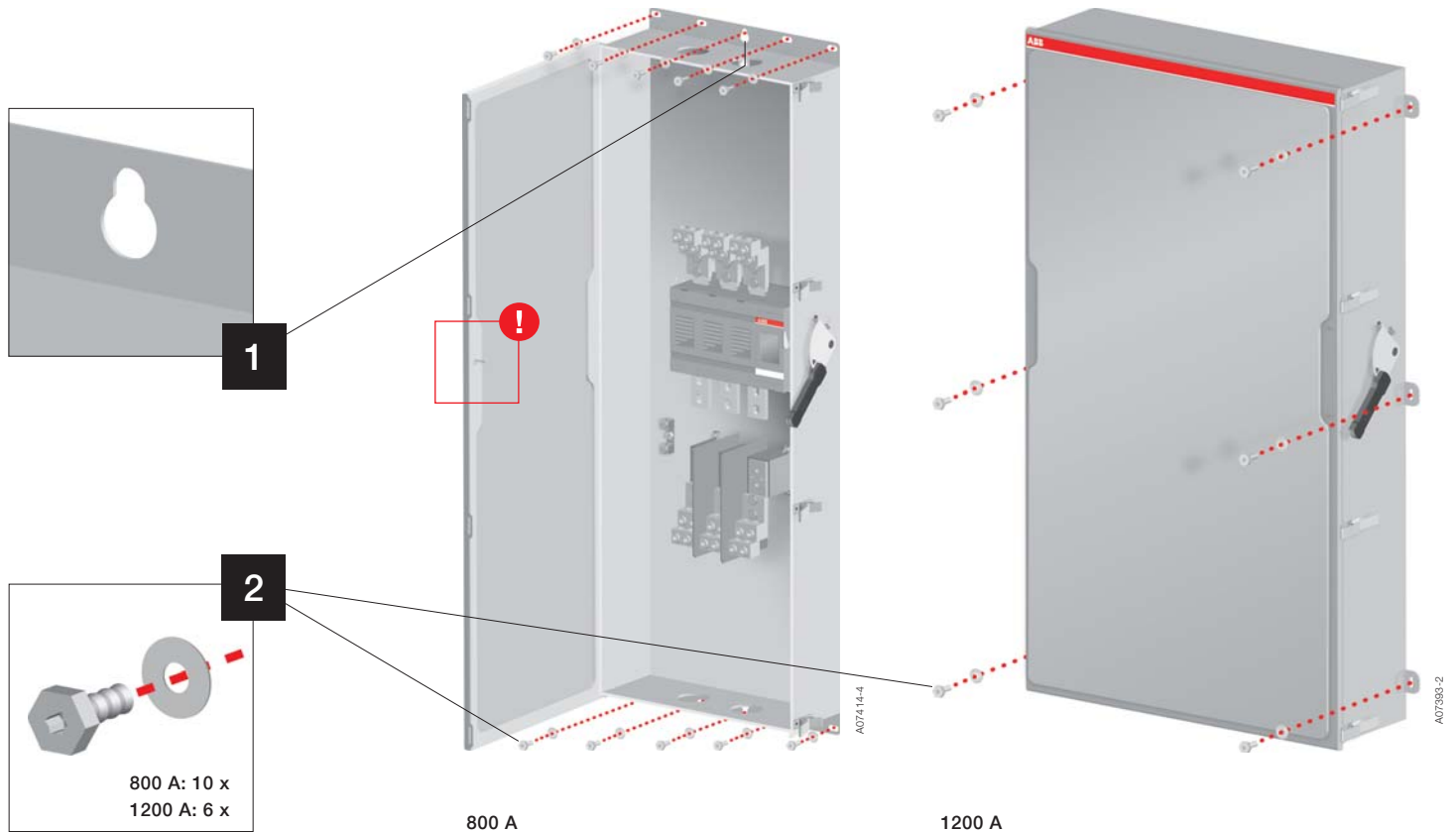
PELIGRO DE LESIONES O DAÑO AL EQUIPO

No doble o tuerza el gancho para bloquear el mecanismo, bajo ninguna circunstancia. El gancho en posición incorrecta puede causar lesiones serias o daños al equipo.

El incumplimiento de estas instrucciones podrá causar la muerte o daños en el equipo

Instalación

Montaje



Montaje del interruptor de seguridad en la pared u otras estructuras de soporte

Monte el interruptor de seguridad tornillos 5/16" (para 800 A: 10 piezas, para 1200 A: 6 pcs). Atención: utilice el agujero bocallave para colgar el gabinete mientras aprieta los otros tornillos. Verifique que la capacidad de soporte de la estructura sea suficiente en relación con el peso, tamaño y medio de fijación del interruptor y que cumpla con los requerimientos locales.

Soporte

- Montaje en pared
- Monte el gabinete en una superficie plana para evitar deformación.
- Utilice distanciadores/cuñas si es necesario.



PRECAUCIÓN

PELIGRO DE LESIONES O DAÑO AL EQUIPO

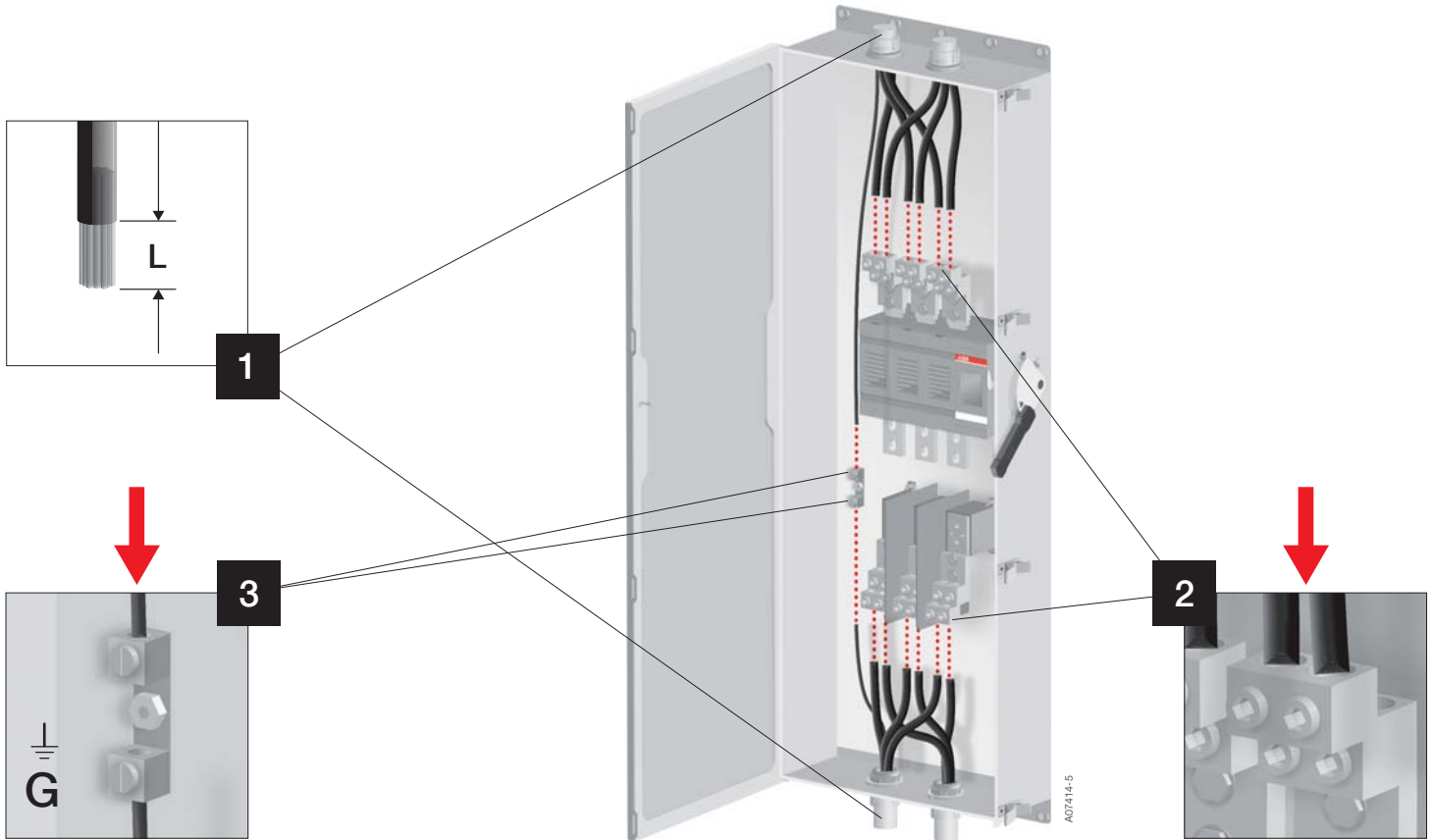
No doble o tuerza el gancho para bloquear el mecanismo, bajo ninguna circunstancia. El gancho en posición incorrecta puede causar lesiones serias o daños al equipo.

El incumplimiento de estas instrucciones podrá causar la muerte o daños en el equipo

Instalación

Conexión de cableado

2



Conexión de cableado

Conecte los cables a las terminales del interruptor y de los portafusibles. Conecte el cable a tierra al bloque de conexión localizado dentro del gabinete. Siga los requerimientos sobre tamaño de cable y conexión a tierra establecidos en la norma NEC (National Electric Code) y en todas las normas o códigos locales. Vea el capítulo Cableado. La temperatura nominal de todos los cables tiene que ser de 167 °F / 75 °C.

Las terminales del interruptor no están diseñadas para soportar el peso de los cables, por lo que el instalador debe de proveer

el soporte adecuado. Doble el cable cuidadosamente para evitar deformación en las terminales. Deformación en las terminales tiene un impacto negativo en el funcionamiento del interruptor.

Tamaño de interruptor	Zapatas de entrada/ en lado de la carga	Terminales de conexión a tierra		
	Rango de calibres [kcmil ; mm²]			
800	(4) #2 - 600 ; 4x35 - 300 / (4) #2 - 600 ; 4x35 - 300	#6 - 250 ; 10 - 120		
1200	(6) #2 - 750 ; 6x35 - 380 / (4) #2 - 600 ; 4x35 - 300	#6 - 250 ; 10 - 120 or (2) #6 - 250 ; 10 - 120		
	Longitud L [in ; mm²]			
800	1.34 - 1.37 ; 32 - 35	0.91 - 0.99 ; 23 - 25		
1200	1.34 - 1.37 ; 32 - 35	0.91 - 0.99 ; 23 - 25		
	Par de apriete			
	[lbs.in]	[Nm]	[lbs.in]	[Nm]
800	500	55.7	275	31.1
1200	Lado de línea: 620 (#750 kcmil) o 500 (#2 - 600 kcmil) Lado de carga: 500	Lado de línea: 70.1 (380 mm ²) o 55.7 (2x35 - 300 mm ²) Lado de carga: 55.7	275	31.1



PELIGRO

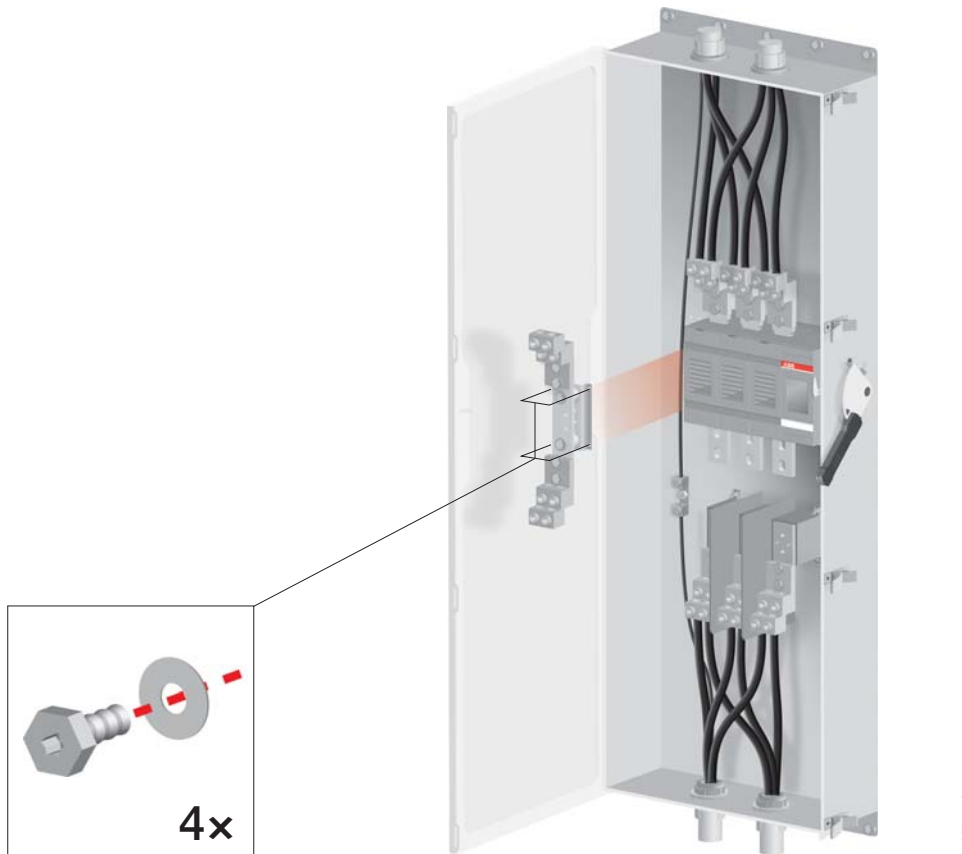
PELIGRO DE DESCARGA ELÉCTRICA, EXPLOSIÓN O DESTELLO POR ARQUEO

Lea detenidamente las instrucciones en la página 2/2 antes de continuar.

El incumplimiento de estas instrucciones puede causar muerte o lesiones serias.

Instalación

Ensamble de la terminal de neutro (opcional)



Ensamble de la terminal de neutro EOHXSN78 (opcional)

Instale la terminal de neutro de acuerdo a los agujeros roscados existentes en la placa de montaje. Vea el capítulo Cableado.

EOHXSN78:

Rango de calibres: (4) #2 - 600 kcmil / 4 x 35 -300 mm²

Par de apriete de cable, Cu y Al (Calibre): 500 lbs.in / 55.7 Nm



PELIGRO

PELIGRO DE DESCARGA ELÉCTRICA, EXPLOSIÓN O DESTELLO POR ARQUEO

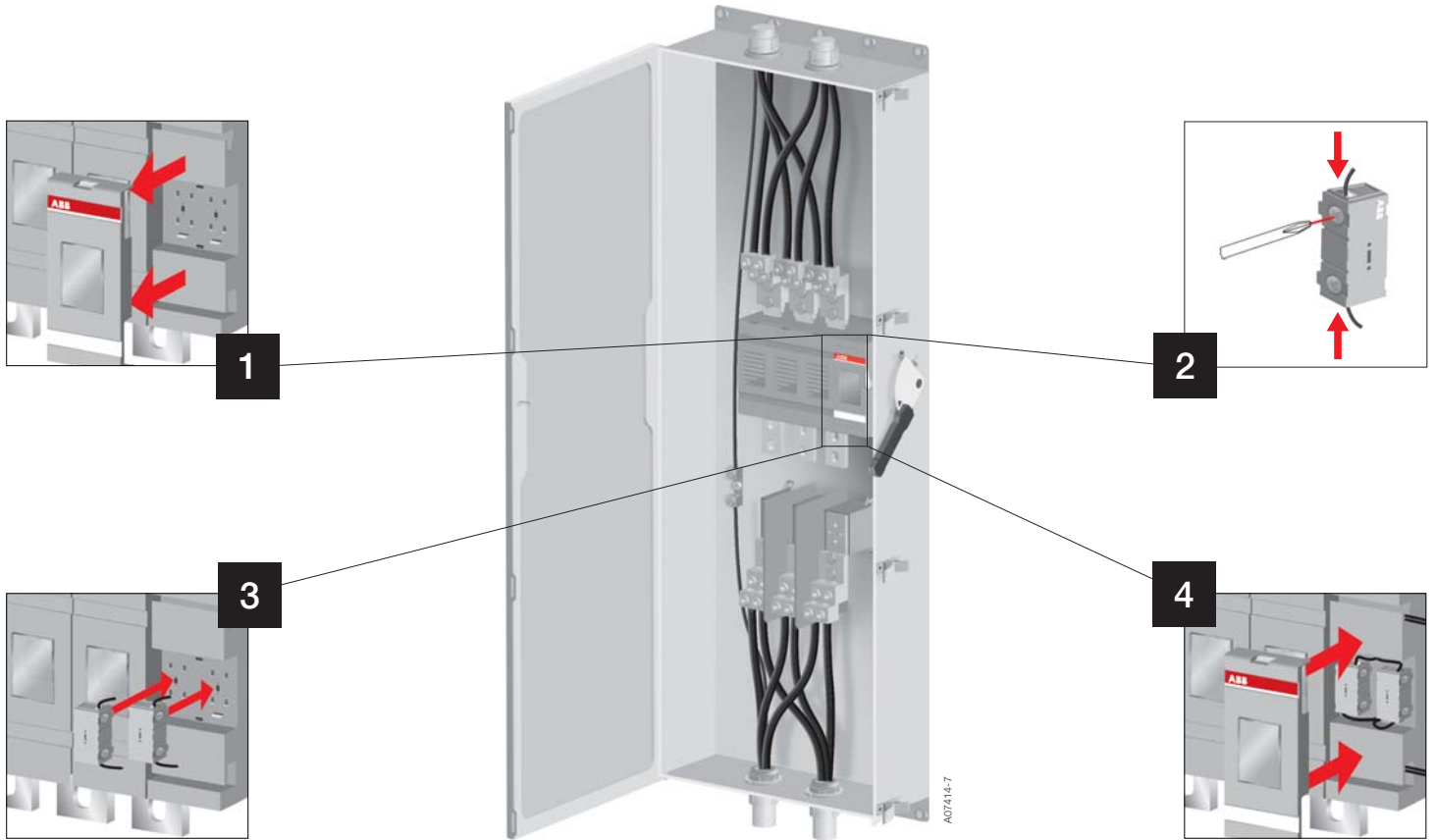
Lea detenidamente las instrucciones en la página 2/2 antes de continuar.

El incumplimiento de estas instrucciones puede causar muerte o lesiones serias.

Instalación

Contactos auxiliares (opcional)

2



Contactos auxiliares OA1G10 y OA3G01 (opcional)

Instale los contactos auxiliares dentro del mecanismo del interruptor de acuerdo a la imagen. En caso de que monte la máxima cantidad de contactos auxiliares (3 o 4 piezas), no vuelva a montar la cubierta del mecanismo. Vea el capítulo Cableado.

Calibre de cable: 1 - 2 × 18 - 14 AWG, 1 - 2 × 0.75 - 25 mm²
Par de apriete: 7 lbs.in, 0.78 Nm

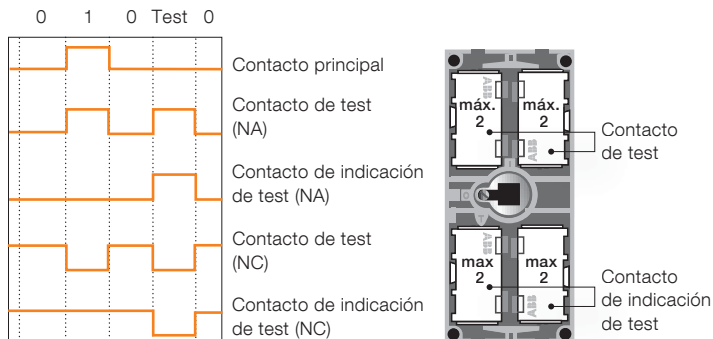


PELIGRO

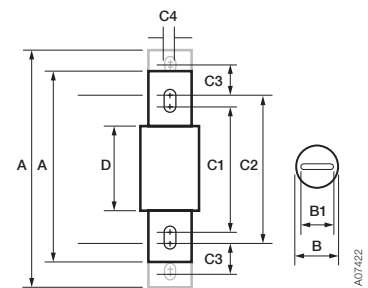
PELIGRO DE DESCARGA ELÉCTRICA, EXPLOSIÓN O DESTELLO POR ARQUEO

Lea detenidamente las instrucciones en la página 2/2 antes de continuar.

El incumplimiento de estas instrucciones puede causar muerte o lesiones serias.



Instalación Fusibles



Fusibles (ordenar por separado)

Instale los fusibles en el portafusible. Los fusibles se ordenan por separado. Siga las instrucciones del fabricante de fusibles.

La entrega estándar incluye portafusibles para fusibles de clase L y tornillos para montaje:

- 800 A: 3 piezas de tornillos UNC 1/2 - 13x1 1/4", 3 piezas de tornillos UNC 1/2 - 13x1 1/2", tuercas y arandelas
- 1200 A: 12 piezas de tornillos UNC 1/2 - 13x1 1/4", tuercas y arandelas



PELIGRO

PELIGRO DE DESCARGA ELÉCTRICA, EXPLOSIÓN O DESTELLO POR ARQUEO

Lea detenidamente las instrucciones en la página 2/2 antes de continuar.

El incumplimiento de estas instrucciones puede causar muerte o lesiones serias.

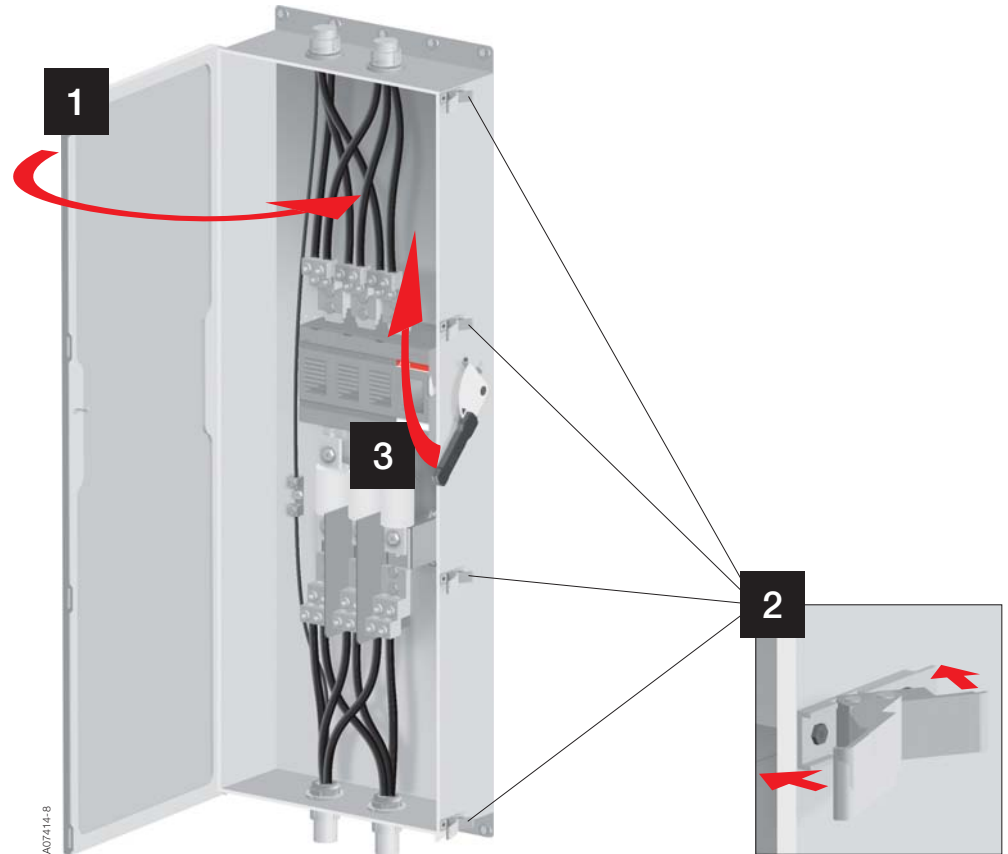
Fusibles clase L

Tamaño de interruptor	Tamaño de fusible	Dimensiones							
		A [in] / [mm]	B [in] / [mm]	B1 [in] / [mm]	C1 [in] / [mm]	C2 [in] / [mm]	C3 [in] / [mm]	C4 [in] / [mm]	D [in] / [mm]
800 A	800 A	8.63 / 219.2	2.5 / 63.5	2 / 61	5.75 / 146.1	6.75 / 171.5	-	0.63 / 15.9	3.75 / 95.2
1200 A	1200 A	10.75 / 273.1	2.5 / 63.5	2 / 61	5.75 / 146.1	6.75 / 171.5	1.38 / 35	0.63 / 15.9	3.75 / 95.2

Operación

Operación del interruptor

2



Cerradura del gabinete y operación hacia la posición ON

Cierre la puerta del gabinete y las cerraduras de acuerdo a la imagen. Opere el interruptor hacia la posición ON.

ATENCIÓN: La puerta debe de cerrarse firmemente con la cerradura antes de operar el interruptor

! PRECAUCIÓN

PELIGRO DE LESIONES O DAÑO AL EQUIPO

No doble o tuerza el gancho para bloquear el mecanismo, bajo ninguna circunstancia. El gancho en posición incorrecta puede causar lesiones serias o daños al equipo.

El incumplimiento de estas instrucciones podrá causar lesiones o daño al equipo

! PRECAUCIÓN

PELIGRO DE LESIONES O DAÑO AL EQUIPO

No fuerce la palanca en la posición de cerrado (ON) con la puerta abierta. Cuando está abierta la puerta, el bloqueo del mecanismo evita que se cierren las cuchillas del interruptor y que gire totalmente la palanca.

El incumplimiento de estas instrucciones podrá causar lesiones o daño al equipo

Operación

Mecanismo de operación



Mecanismo de bloqueo de puerta

El bloqueo de seguridad de la puerta previene la apertura de la puerta del gabinete cuando el interruptor está en la posición ON. En conjunto con el bloqueo del mecanismo, evita que el interruptor sea operado hacia la posición ON cuando la puerta del gabinete está abierta.

El bloqueo de seguridad de la puerta:

- A. Evita la apertura de la puerta del gabinete cuando el interruptor está en la posición ON (I), a menos de que se haga girar el tornillo desactivador en sentido de las manecillas del reloj para desactivar el bloqueo de puerta. Vea la página siguiente.
- B. Permite la apertura de la puerta del gabinete cuando el interruptor está en la posición OFF (O) sin hacer girar el tornillo desactivador.
- C. Hace que la puerta cierre completamente pero no se enlace con el interruptor en la posición OFF.
- D. Hace que la puerta cierre completamente y se mantenga cerrada cuando el interruptor esté en la posición ON (I)
- E. Será embragado mediante el bloqueo del mecanismo cuando el interruptor sea operado de la posición OFF (O) a ON (I), mientras la puerta del gabinete esté completamente cerrada.



PELIGRO

PELIGRO DE DESCARGA ELÉCTRICA, EXPLOSIÓN O DESTELLO POR ARQUEO

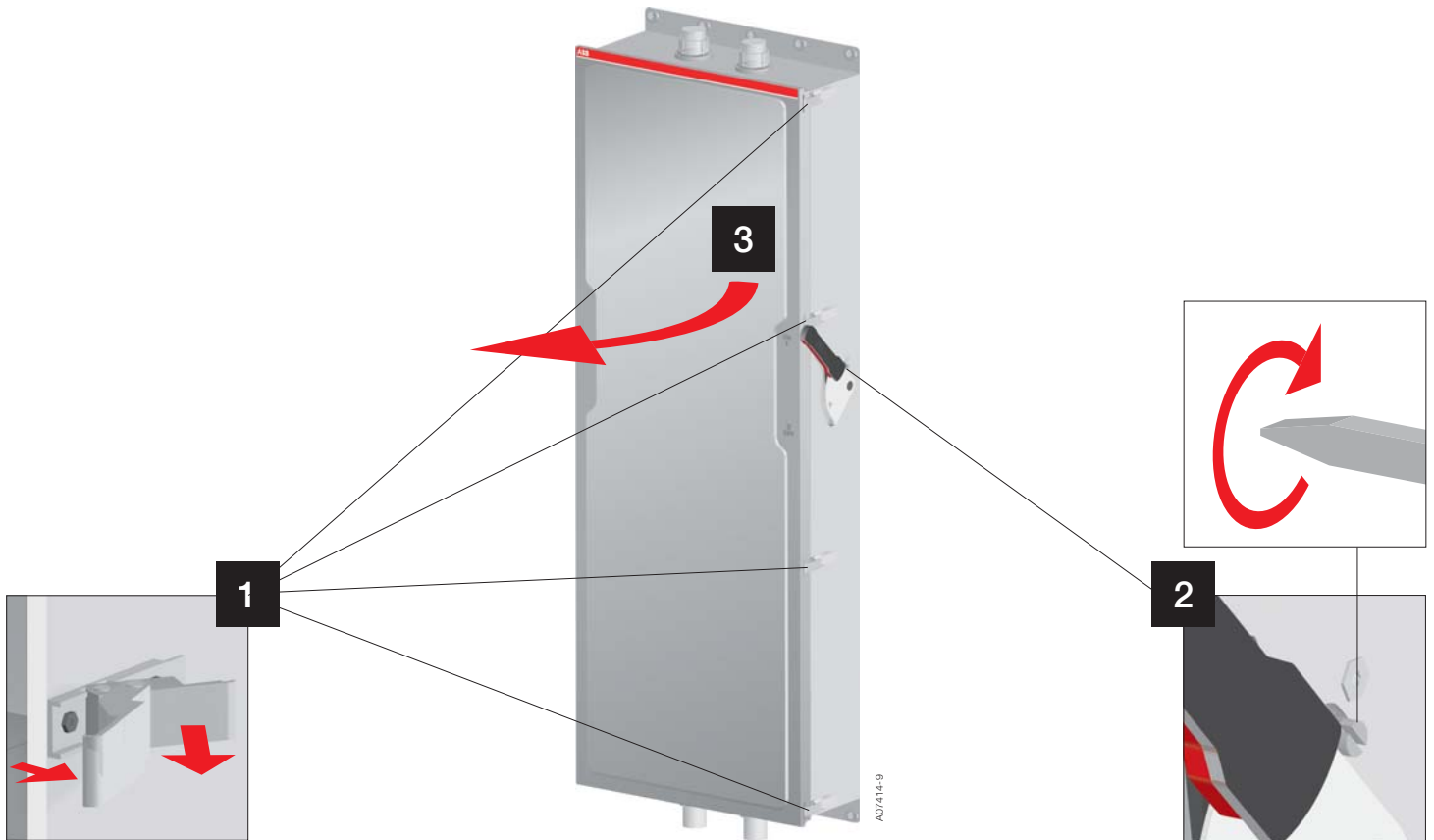
Lea detenidamente las instrucciones en la página 2/2 antes de continuar.

El incumplimiento de estas instrucciones puede causar muerte o lesiones serias

Operación

Mecanismo de operación

2



Vencimiento del mecanismo de bloqueo

La puerta del gabinete no puede ser abierta cuando el interruptor esté en la posición ON. Éste puede ser vencido por el personal autorizado para inspección

Atención: Solamente el personal especializado puede llevar a cabo esta acción.



PELIGRO

PELIGRO DE DESCARGA ELÉCTRICA, EXPLOSIÓN O DESTELLO POR ARQUEO

Al evitar el mecanismo de bloqueo de puerta se expone al operador a partes energizadas y no es recomendable. Solamente el personal especializado puede llevar a cabo esta acción.

El incumplimiento de estas instrucciones podrá causar lesiones o daño al equipo



PRECAUCIÓN

PELIGRO DE LESIONES O DAÑO AL EQUIPO

No doble o tuerza el gancho para bloquear el mecanismo, bajo ninguna circunstancia. El gancho en posición incorrecta puede causar lesiones serias o daños al equipo.

El incumplimiento de estas instrucciones podrá causar lesiones o daño al equipo



PELIGRO

PELIGRO DE DESCARGA ELÉCTRICA, EXPLOSIÓN O DESTELLO POR ARQUEO

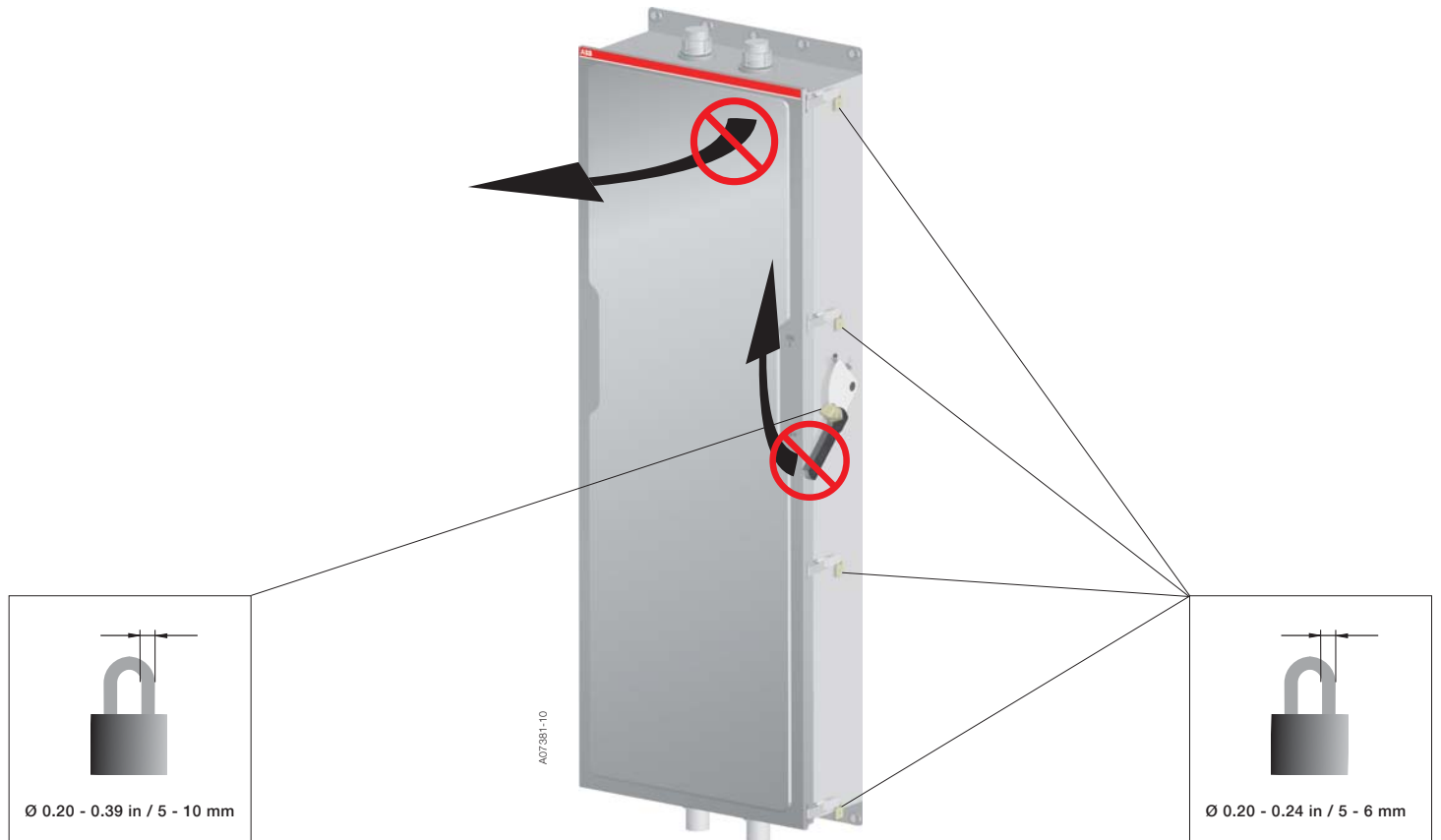
Lea detenidamente las instrucciones en la página 2/2 antes de continuar.

El incumplimiento de estas instrucciones podrá causar lesiones o daño al equipo

Operación

Enclavamiento de la palanca y cerradura

2



Enclavamiento de la palanca

La palanca es candadeable en la posición OFF. Se pueden utilizar hasta tres candados.

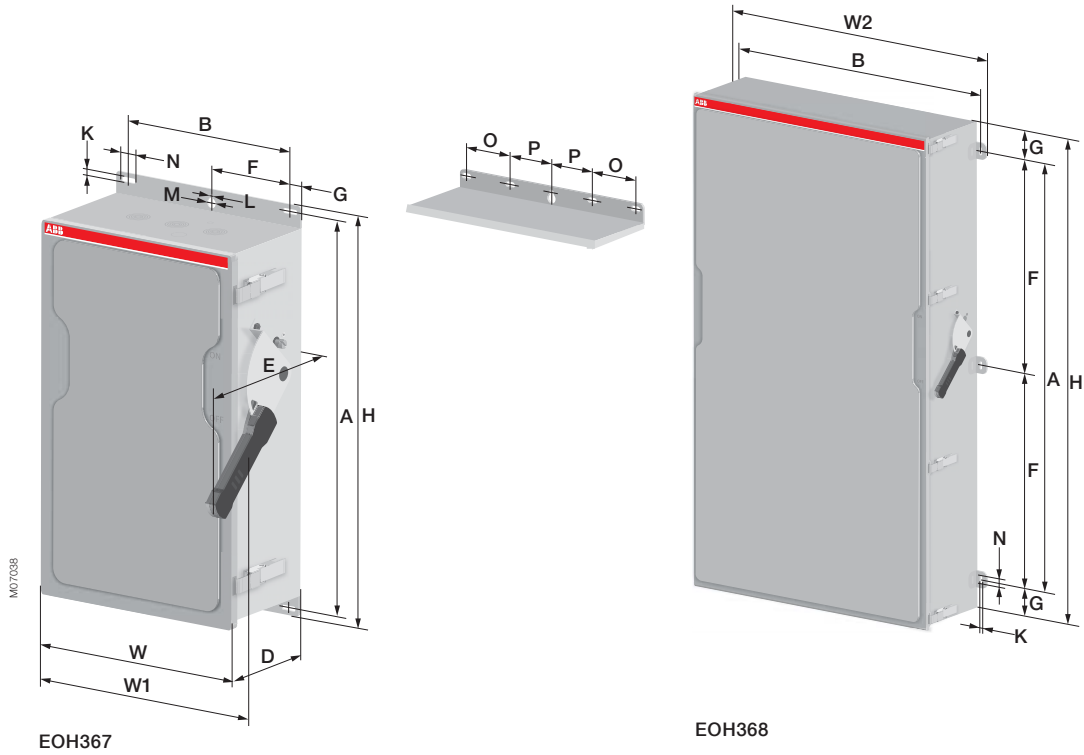
Enclavamiento de la cerradura

La cerradura se puede enclavar usando un candado para prevenir acceso no autorizado al interior del gabinete.

Dimensiones generales

EOH367, EOH368 / NEMA 1 / 800 A, 1200 A

2



Número de catálogo	Tamaño											
	H		W		W1		W2		D		E	
	[in]	[mm]	[in]	[mm]	[in]	[mm]	[in]	[mm]	[in]	[mm]	[in]	[mm]
EOH367	62.68	1592	22.99	584	24.53	623	-	-	8.50	216	11.61	295
EOH368	68.90	1750	39.96	1015	41.77	1061	43.11	1095	12.60	320	11.61	295

Número de catálogo	Dimensiones para montaje										Agujero para montaje									
	A		B		F		O		P		G		N		K		L		M	
	[in]	[mm]	[in]	[mm]	[in]	[mm]	[in]	[mm]	[in]	[mm]	[in]	[mm]	[in]	[mm]	[in]	[mm]	[in]	[mm]	[in]	[mm]
NEMA 12 y 3R																				
EOH367	60.32	1532	19.69	500	9.84	250	5.20	132	4.88	124	1.18	30					0.55	14	0.98	25
EOH368	60.95	1548	41.14	1045	30.47	774	-	-	-	-	3.98	101	1.18	30	0.39	10	-	-	-	-

Accesorios (opcional)

Información de pedido



AG7377

Terminal de neutro

Tornillos incluidos de manera estándar. Unidades/No. de catálogo = 1 pieza.

Adecuado para interruptores	Incluye Zapata tipo	No. de catálogo	Peso/ unidad [kg]
EOH367, _8	OZXA-1200	EOHXS78	1.5

Contactos auxiliares, IP20

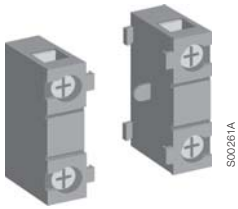
Numeración de contactos de acuerdo a EN 50013. Unidades/No. de catálogo = 1 pieza.

Un máximo de 8 piezas se puede instalar en dentro de la cubierta del mecanismo.

Adecuado para interruptores	Función	No. de catálogo	Peso/ unidad [kg]
EOH367, _8	1NO	OA1G10	0.03
EOH367, _8	1NO	OA1G10AU ¹⁾	0.03
EOH367, _8	1NC	OA3G01	0.03
EOH367, _8	1NC	OA3G01AU ¹⁾	0.03

¹⁾ Los tipos _AU están recubiertos en oro. Pueden ser utilizados para circunstancias difíciles o para tensiones muy bajas.

EOHXS78



SO0261A

OA_

Mantenimiento

Piezas de repuesto, información de pedido

2

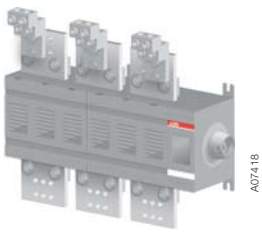


OT800U30EOHR

Interruptores

Incluye zapata. Unidades/No. de catálogo = 1 pieza

Adecuado para interruptores	Corriente nominal [A]	Potencia máxima [HP] Trifásica			No. de catálogo
		240 V	480 V	600 V	
EOH367	800	250	500	500	OT800U30EOHR
EOH368	1200	250	500	500	OT1200U30EOHR



OT1200U30EOHR

Portafusible

Tornillos, zapata y clips para fusible incluidos como estándar. Unidades/No. de catálogo = 1 pieza

Adecuado para interruptores	Clase de fusible	No. de catálogo
EOH367, _8	Clase L	EOHFB78



EOHFB78



EOHH2/3

Otras partes de repuesto

Adecuado para interruptores	Tamaño de tornillo	Para fusible	No. de catálogo
-----------------------------	--------------------	--------------	-----------------

Kit de palanca

Palanca, varilla, protector de palanca y tornillos incluidos como estándar. Unidades/No. de catálogo = 1 pieza

EOH367			EOHH2
EOH368			EOHH3

Mecanismo de bloqueo de puerta

Tornillos incluidos como estándar. Unidades/No. de catálogo = 1 pieza

EOH367			EOHLM2
EOH368			EOHLM3

Kit de tornillos para montaje de fusibles tipo L

Incluye tornillos y arandelas. El número de catálogo EOHFBK7 también incluye tuercas.

EOH367	3 piezas UNC 1/2-13x1 1/4" y 3 piezas UNC 1/2-13x 1 1/2"	800 A /Fusibles clase L	EOHFBK7
EOH368	12 piezas UNC 1/2-13x 1 1/4"	1200 A /Fusibles clase L	EOHFBK8



EOHLM2/3



EOHFBK7



EOHFBK8

Zapatras para lado de línea

Tornillos incluidos como estándar. Unidades/No. de catálogo = 3 piezas

EOH367		OZXA-1200/3
EOH368		OZXA-1200E/3



OZXA-1200_ OZXA-1200E_



Zapatras para lado de carga

Tornillos incluidos como estándar. Unidades/No. de catálogo = 3 piezas

EOH367, _8		OZXA-1200/3
------------	--	-------------

Ensamble de puerta

Incluye calcomanía con logotipo ABB, etiquetas, bisagras y tornillos como estándar. Unidades/No. de catálogo=1 pieza.

EOH367		EOHFD7
EOH368		EOHFD8



EOHFD7/8

Mantenimiento

Registro de Instalación y Mantenimiento

Mantenimiento

El interruptor es lubricado apropiadamente en la fábrica, por lo cual no se necesita lubricación adicional. Sin embargo, es necesario limpiarlo cuidadosamente después de la instalación de los cables, accesorios, fusibles y piezas de repuesto. Se recomienda limpiar e inspeccionar el cableado una vez al año.



PELIGRO

PELIGRO DE DESCARGA ELÉCTRICA, EXPLOSIÓN O DESTELLO POR ARQUEO

Lea detenidamente las instrucciones en la página 2/2 antes de continuar.

El incumplimiento de estas instrucciones puede causar muerte o lesiones serias

2

Registro de Instalación y Mantenimiento

Cualquier servicio de mantenimiento que se preste a este dispositivo debe de ser anotado en el registro de Instalación y Mantenimiento.

Fecha de instalación del interruptor de seguridad: _____

Descripción del servicio de mantenimiento prestado	Razón de mantenimiento	Observaciones especiales	Fecha de mantenimiento	Responsable del mantenimiento

Contact us / Contacto / Contactez nous

ABB Inc. / USA

Low Voltage Control Products

16250 W Glendale Drive
New Berlin, WI 53151
Phone: 888-385-1221
Fax: 800-726-1441

USA Technical Support & Customer Service:

888-385-1221, Option 4
7:30AM to 5:30PM, CST, Monday - Friday
E-Mail: lvps.support@us.abb.com

www.abb.us/lowvoltage

ABB Inc. / CANADA

2117, 32nd Avenue
Lachine, QC H8T 3J1

www.abb.com/ca

Electrical equipment should be installed, operated, serviced, and maintained only by qualified personnel. No responsibility is assumed by ABB for any consequences arising out of the use of this material.

Todo el equipo eléctrico debe de ser instalado, operado y mantenido solamente por personal calificado. ABB no asume ninguna responsabilidad por consecuencias causadas por el uso de éste material.

Tout les équipements électriques doivent être installés, exploités et entretenus par du personnel qualifié seulement. Aucune responsabilité n'est assumée par ABB pour les conséquences découlant de l'utilisation de ce matériel.

1SCC340033M1401