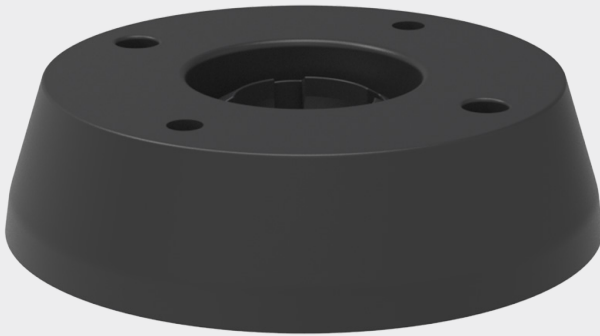


—  
INSTALLATION INSTRUCTION

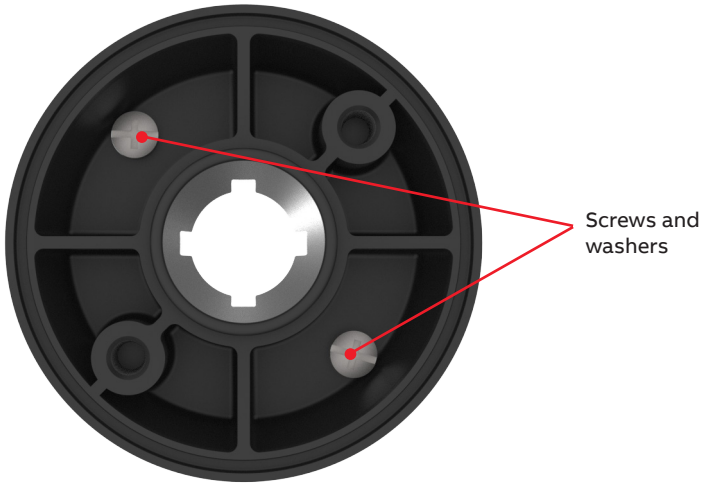
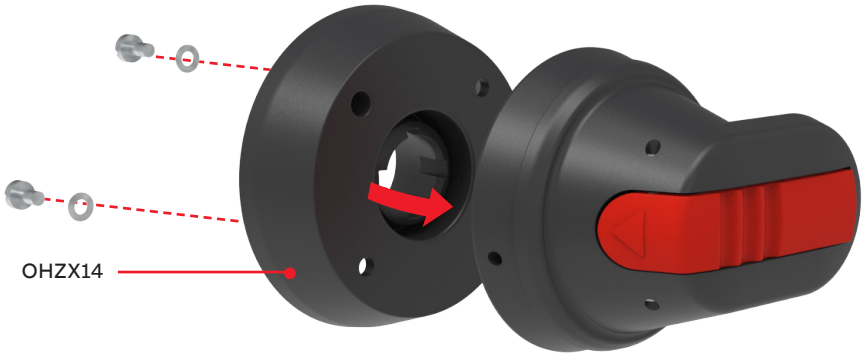
# Extension ring

## OHZX14

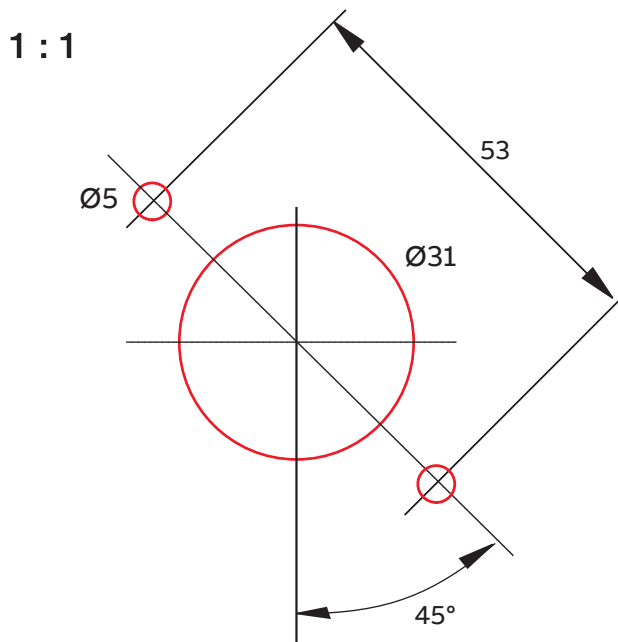


---

# OHZX14



# Holes



For the handle

Tightening torque 1,5 Nm



---

## Contact us

### **ABB Oy**

P.O. Box 622  
FI-65101 Vaasa  
Finland

**[abb.com/lowvoltage](http://abb.com/lowvoltage)**