

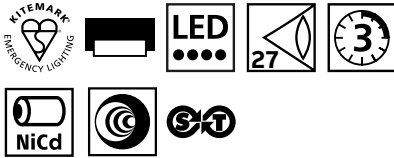
Silver-Scape

Practical & everyday



Recessed emergency exit sign

- Suitable for application in suspended ceilings
- Polycarbonate enclosure with wing fixings for recessed application
- Diffuser panel with slot for exit sign legend
- Complies to IEC 60598.2.22
- Metal trims designed to fit existing Silverlite aperture



Recessed unit

Order code	Description	Input voltage	Lamp type	Power consumption (VA/W)	Operation / duration (hrs)	Environ. temp. (°C)	Weight (kg)
CTRRB3LS1X	RECS D B/HEAD 2W M3 LED WHT CT	220-240 AC 50/60Hz	1 x LED 2W	6.1 / 3.9	3	0-30	1.09
LTCRRB1LS1X	LED 2W LTC SILVERSCAPE RECESS	220-240 AC/DC 0-60Hz	1 x LED 2W	4.6 / 4.4	230V	0-40	0.9
RB8LS1X	LED 2W 50V ACDC SILVERSCAPE RECESS	24-50 AC/DC 0-60Hz	1 x LED 1W	3.4 / 2.1	Central Battery	0-40	0.79
RRB1LS1X	LED 1W HF SILVERSCAPE RECESS	110-230 AC/DC 0-60Hz	1 x LED 2W	3.4 / 3.2	230V	0-40	0.81
STRRB3LS1X	RECS D B/HEAD 2W M3 LED WHT SLFTST	220-240 AC 50/60Hz	1 x LED 2W	6.1 / 3.9	3	0-30	1.09

Order recess unit, diffuser panel, trim and legend separately

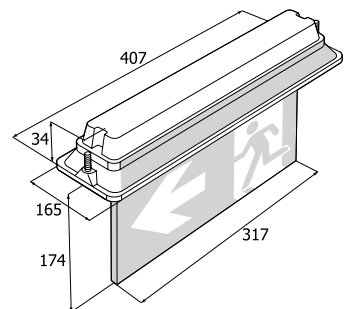
Legends

Single sided		Double sided	
Part no.	Pictogram	Part no.	Pictogram
XEN2A31		XEN36A32	
XEN3A31		XEN22A32	
XEN6A31		ISO 7010 pictogram legends are shown. Euro format & Special legends are available to order see pages 139-141	
XEN5A31			
Arabic legend format			
XB01A31			



Accessories

Order code	Description
RE01	Recessed diffuser panel with sign panel slot
RE01P	Re plastic slot trim - white
RE04	Re metal slot trim - gold/brass
RE05	Re metal slot trim - stainless steel
RE06	Re metal slot trim - silver



Cable entry via 20 mm knockouts on rear of unit.
Ceiling cutout 380 mm x 136 mm.