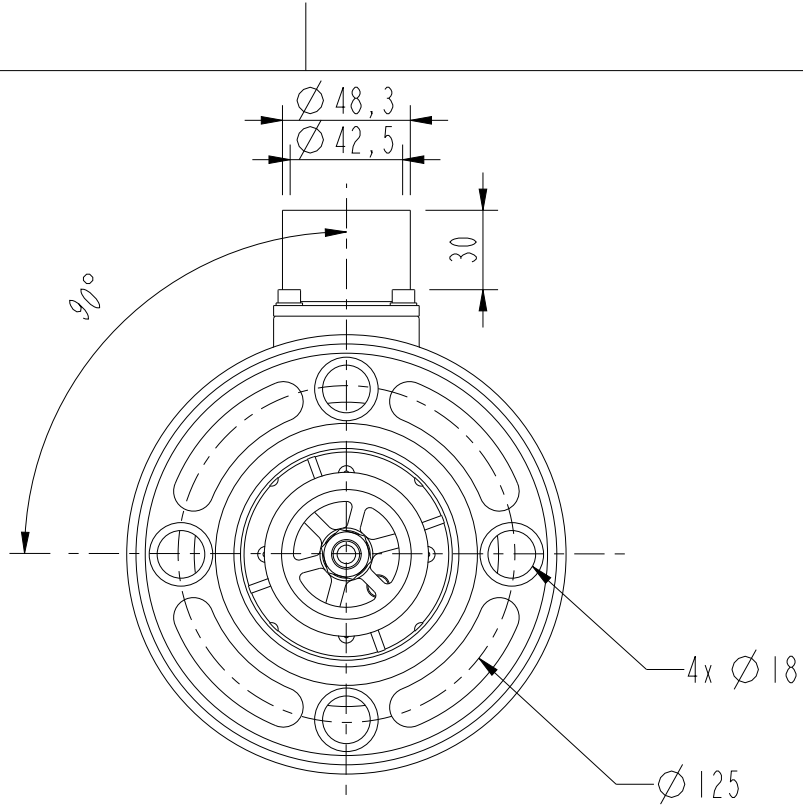
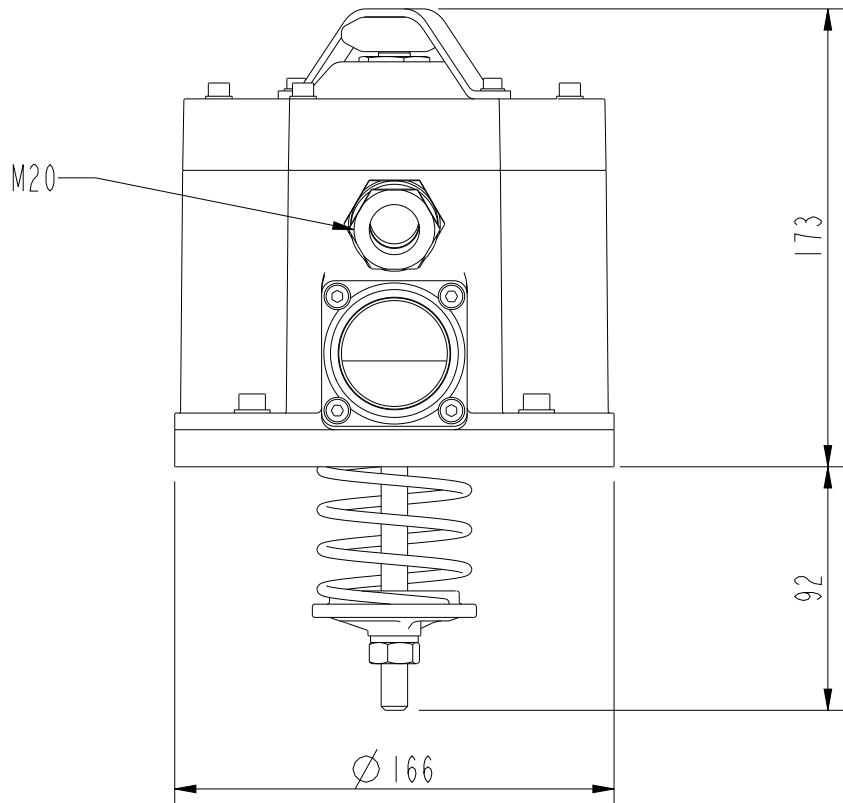


This document is issued by means of a computerized system. The digitally stored original is electronically approved. The approved document has a date entered in the 'Approved'-field. A manual signature is not required.



Flow diameter 50
Flödesdiameter 50



The information contained in this document has to kept strictly confidential. Any unauthorized use, reproduction, distribution or disclosure to third parties are strictly forbidden. ABB reserves all rights regarding Intellectual Property Rights. © Copyright 2013 ABB. All rights reserved.

Prepared	Viktor Centerlund	2013-12-17	Responsible department	PPCO/TK	Title	Pressure relief device	Language
Modified by	Viktor Centerlund	2013-12-19	Take over department				
Approved by	Henrik Sundberg	2013-12-19	Used in product		Order	Avlastningsventil	Sheet no.
Revision	A				Document no.	1ZSC003721-AAV	No. Shts.
							(1)