

Montasjeveiledning
Installation Instruction
Montage- und Betriebsanleitung

SM 200

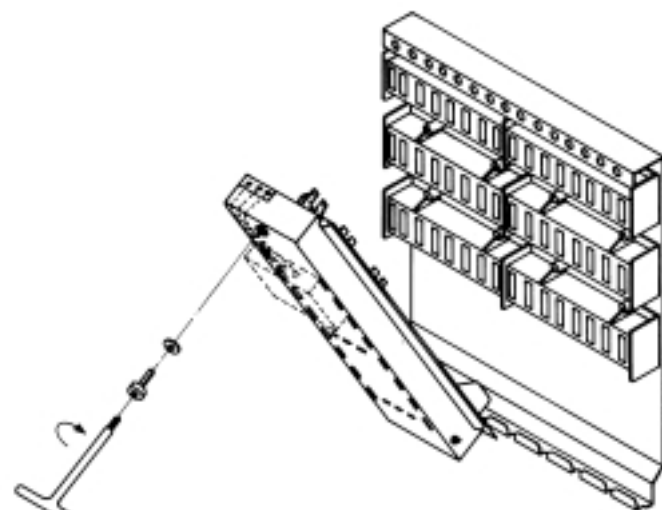
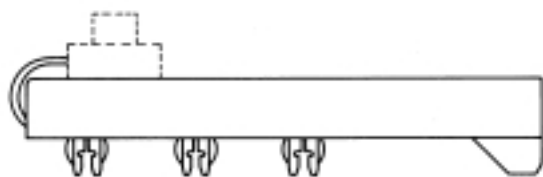
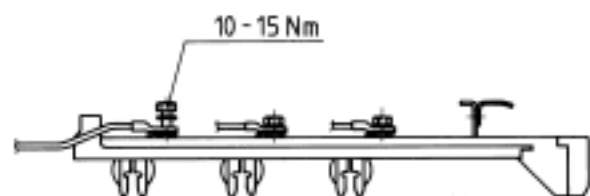
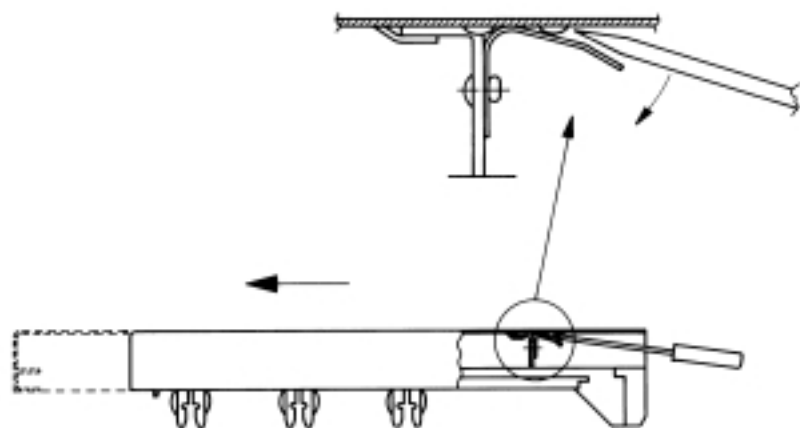
NHP403202P0769RevA

SM 200

I_{th} - 200A
~ 50Hz
U_i - 1000V



ABB Control AS
P.O. Box 100 - Sentrum
N-3701 Skien, Norway
Tel. : +47 35 58 25 00
Fax : +47 35 58 28 00
E-mail : abb.control@no.abb.com



| | |
|--------------------|------------|
| Tiltrekningsmoment | 10 - 15 Nm |
| Anzugsdrehmoment | 10 - 15 Nm |
| Tightening torque | 10 - 15 Nm |