

We reserve all rights in this document and in the information contained therein. Reproduction, use or disclosure to third parties without express authority is strictly forbidden. © ABB 19

Pos. Läge	R connects förbinder	H connects förbinder
17	13-14	2-15
16		3-15
15		4-15
14A		5-15
14		6-15
13		7-15
12		8-15
11		9-15
10A		10-15
10		11-15
9	12-14	13-15
9A		1-15
8		2-15
8A		3-15
7		4-15
6		5-15
5A		6-15
4		7-15
3		8-15
2		9-15
1	10-15	

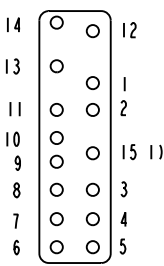
A position with letter is a through position and gives the same voltage as the normal position.

Läge med bokstav är ett genomloppsläge och ger samma spänning som normalläget.

1) Connections between the terminals 15 of the three phases are included in the star-point type.

Förbindningar mellan uttag 15 i de tre faserna ingår i nollpunktsutförandet.

Terminal board
Plint



Section A-A
Sektion A-A

On-load tap-changer type UZED., UZFD., 17 tap positions, coarse/fine switching.

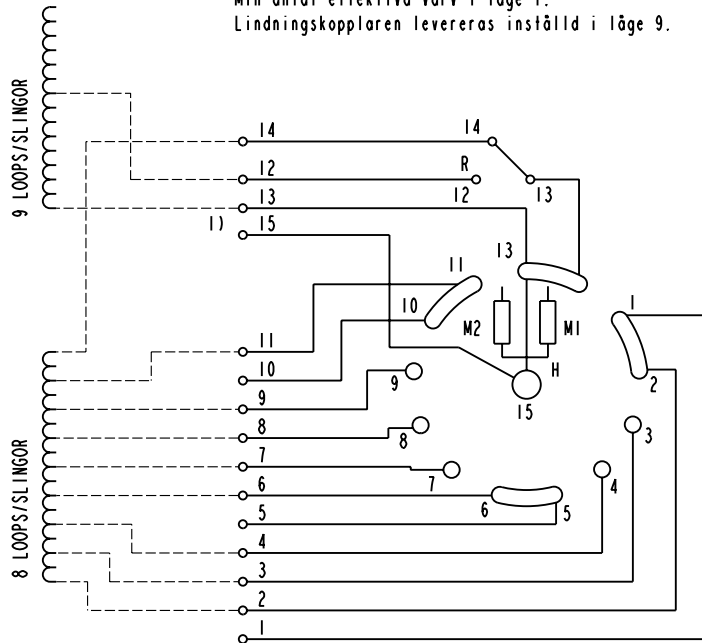
Min effective No. of turns in pos. 1.

The tap-changer is delivered set in pos. 9.

Lindningskopplare typ UZED., UZFD., 17 lägen, grov/fin-koppling.

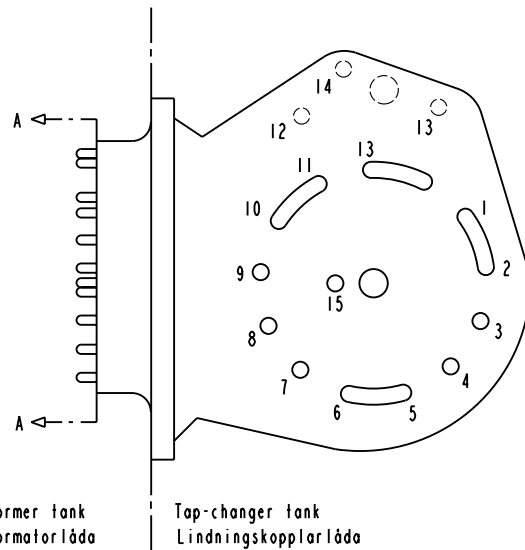
Min antal effektiva varv i läge 1.

Lindningskopplaren levereras inställd i läge 9.



The tap-changer is shown in pos. 9
Lindningskopplaren visad i läge 9

- R Change-over selector
Grov/fin-omkopplare
- H Main contact
Huvudkontakt
- M1, M2 Transition contacts
Motståndskontakter



Transformer tank
Transformatorlåda

Tap-changer tank
Lindningskopplarlåda

Sheet	Cont	Year	Week	Appd	Year	Week	Description (English) CONNECTION DIAGRAM		DATA ORIGINAL		
Year	Week	Dept	Rev	Ind	Revision	Accepted for prod by	Description (own language) KOPPLINGSSCHEMA		File name 0398-3		
Form No.	Design checked by	Design checked by	Issued by	Dept	Year	Week	Lang	Sheet	Rev	Ind	Cont
	B-O. Stenestam	M. Hedlund	L. Bergman	COM/TKO	97	33		1			
							Asea Brown Boveri		5492 0398-3		