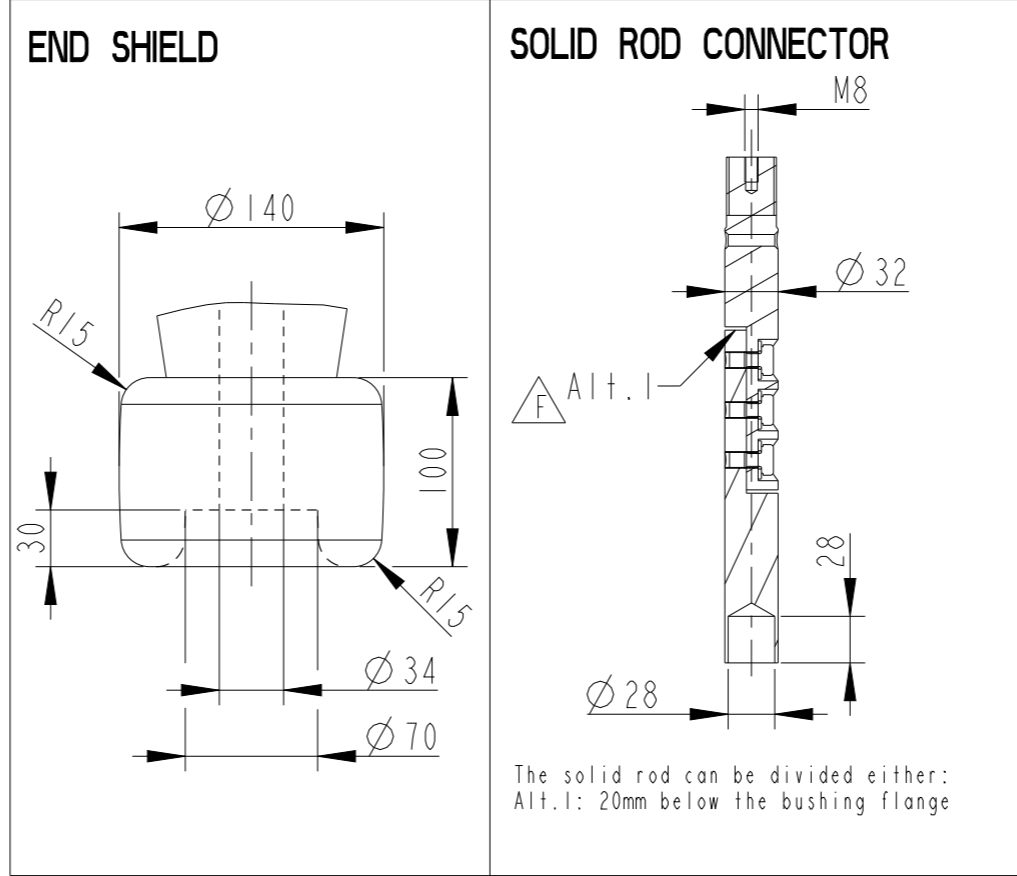
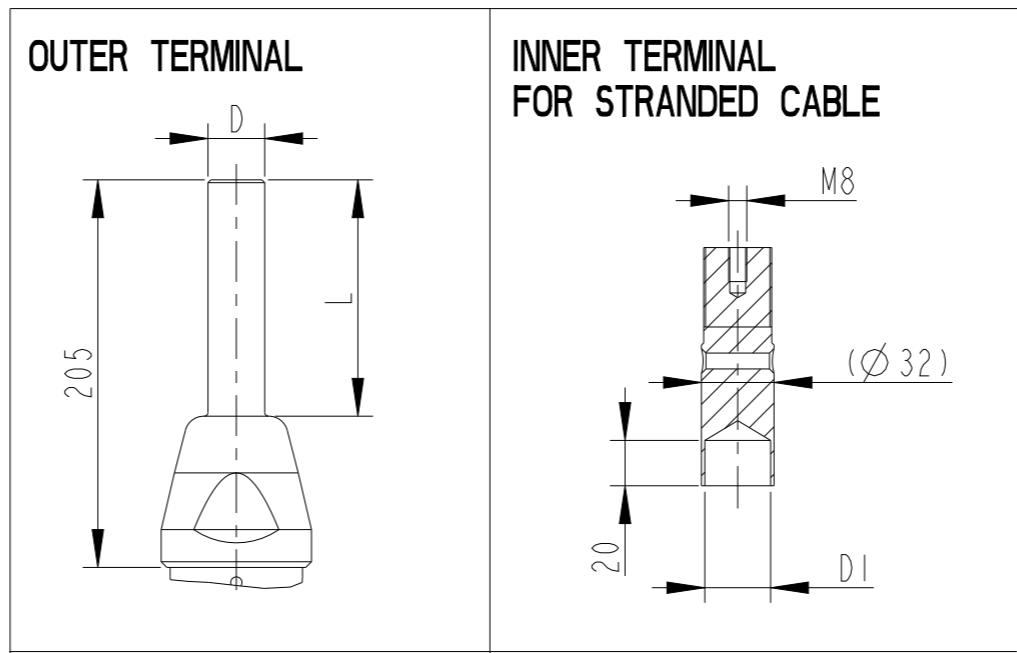
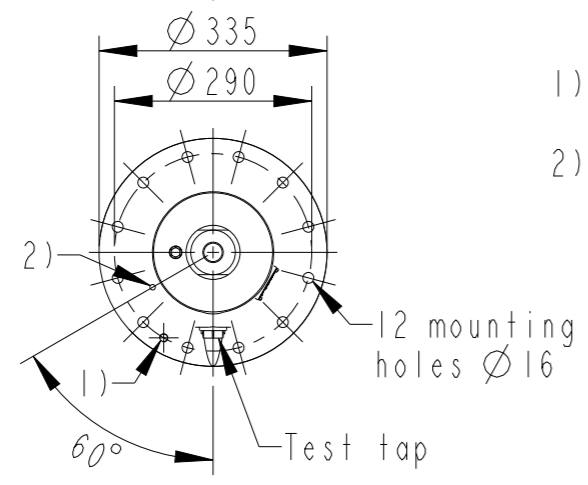
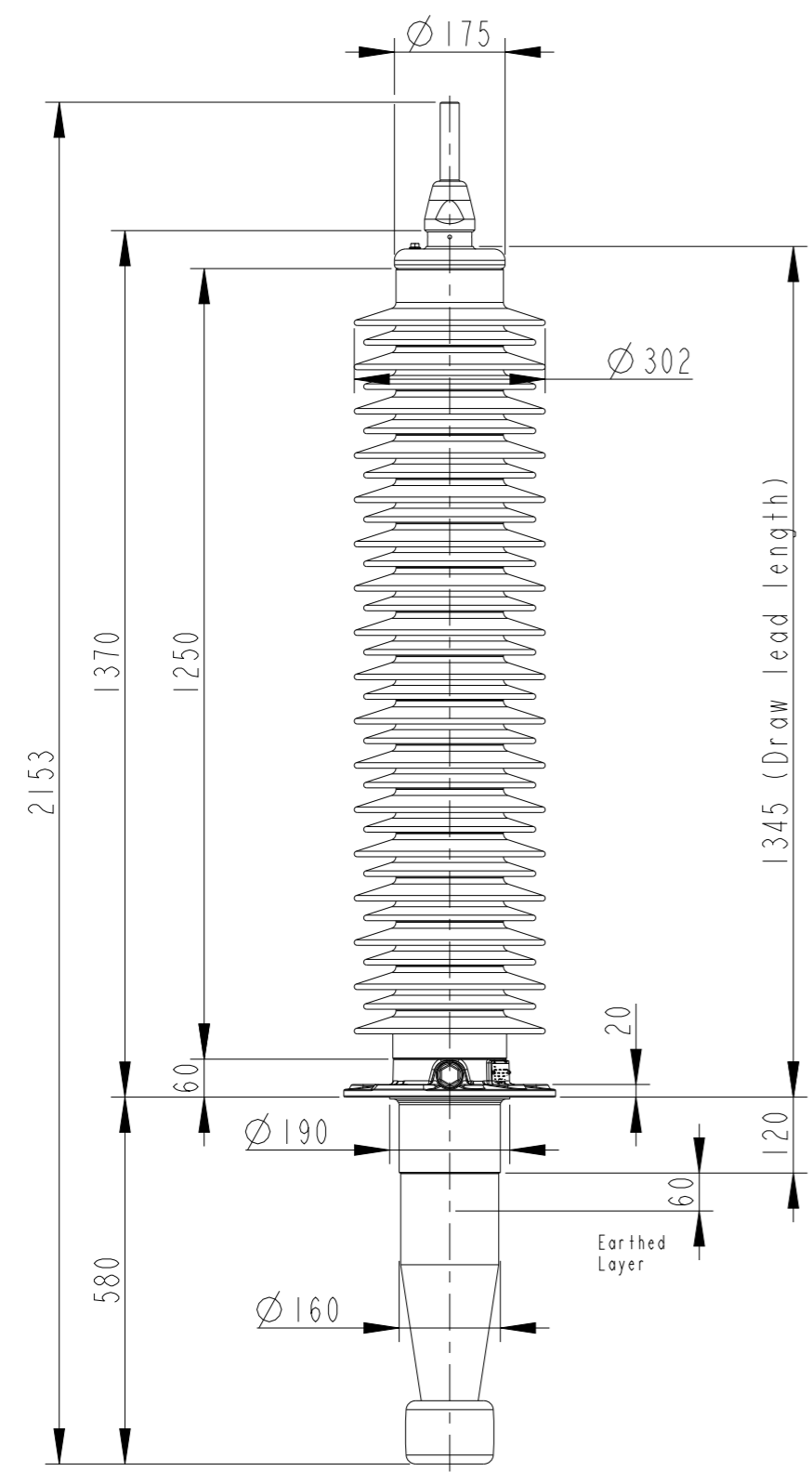


This document is issued by means of a computerized system. The digitally stored original is electronically approved. The approved document has a date entered in the "Approved"-field. A manual signature is not required.

We reserve all rights in this document and in the information contained therein. Reproduction, use or disclosure to third parties without express authority is strictly forbidden.

Revision	Revision text
F	Removed Alt.2, Changed the Phase to ground voltage from 145 to 98kV



- 1) M12 (For Earthing)
- 2)  $\varnothing 4$  Oil connection hole (only valid for horizontal mounting)

**Bushing Data:**

Rated Voltage	170	kV
Phase to Ground Voltage	$\Delta$ 98	kV
Dry Lightning Impulse 1,2/50 $\mu$ s	650	kV
Wet power frequency AC	275	kV
Routine test Imin dry 50Hz	310	kV
Rated Current	1250	A
Creepage Distance	4600 $\pm$ 110	mm
Creepage Distance Protected	1980	mm
Mass	125	kg

**Ordering Data:**

BUSHING	COLOUR	AIR INSULATOR
LF123073-K	BROWN	
LF123073-L	LIGHT GREY	
LF123073-HK	BROWN	Horizontal 45°-90°
LF123073-HL	LIGHT GREY	Horizontal 45°-90°
<b>OUTER TERMINAL</b>	Material	D L
LF 170 002-B	Cu alloy, $\varnothing 30$ , 125	
LF 170 001-B	Al, $\varnothing 30$ , 125	
OTHER TYPES ON REQUEST		
<b>INNER TERMINAL FOR STRANDED CABLE</b>	Conductor area	D1
LF 170 011-T	up to 285mm <sup>2</sup>	$\varnothing 29$
LF 170 011-V	Undrilled with pilot hole $\varnothing 5$	
<b>SOLID ROD CONNECTOR</b>	Material	
LF 170 052 -F for Alt.1	Cu	

ABB		Ludvika, Sweden	
No.	Um	kV Ir	A 50/60 Hz
○	BIL	kV SIL	kV AC
M	kg L	mm	✓
C1	pF	Tan $\delta$	x
C2	pF	Tan $\delta$	x

Approved 2020-01-14	Document Kind Outline Drawing	Based on doc. id	Work order id	Project id
Company ABB Technology Ltd	Title, Supplementary title GOB 650-1250-0.15 WITHOUT OIL LEVEL GAUGE STD END SHIELD			
Responsible Department SEABB-9AAE300824	Document id 2751369-157	Status Released	Revision F	Iteration 1/1