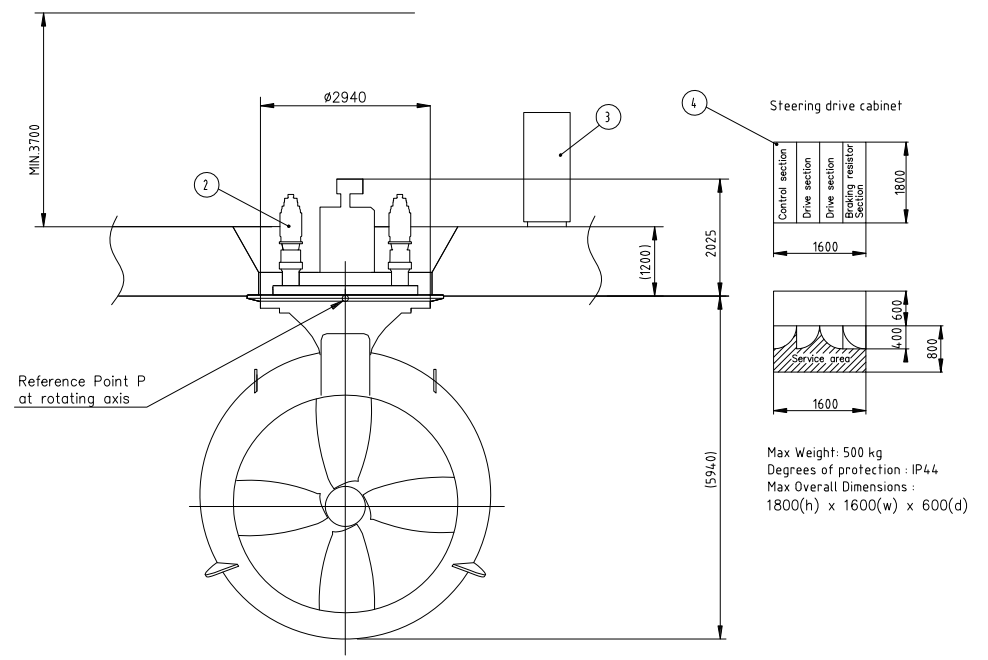
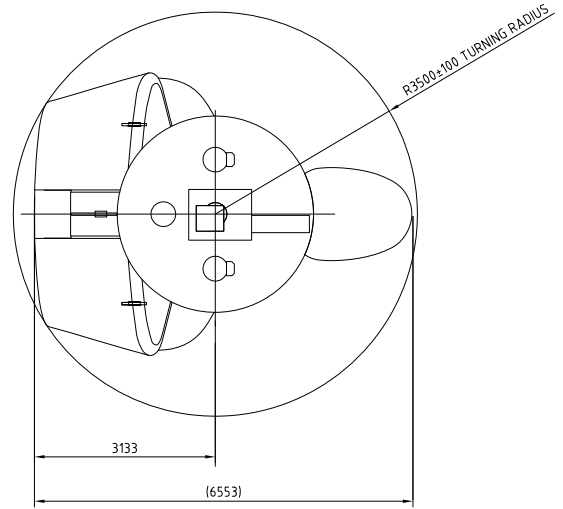
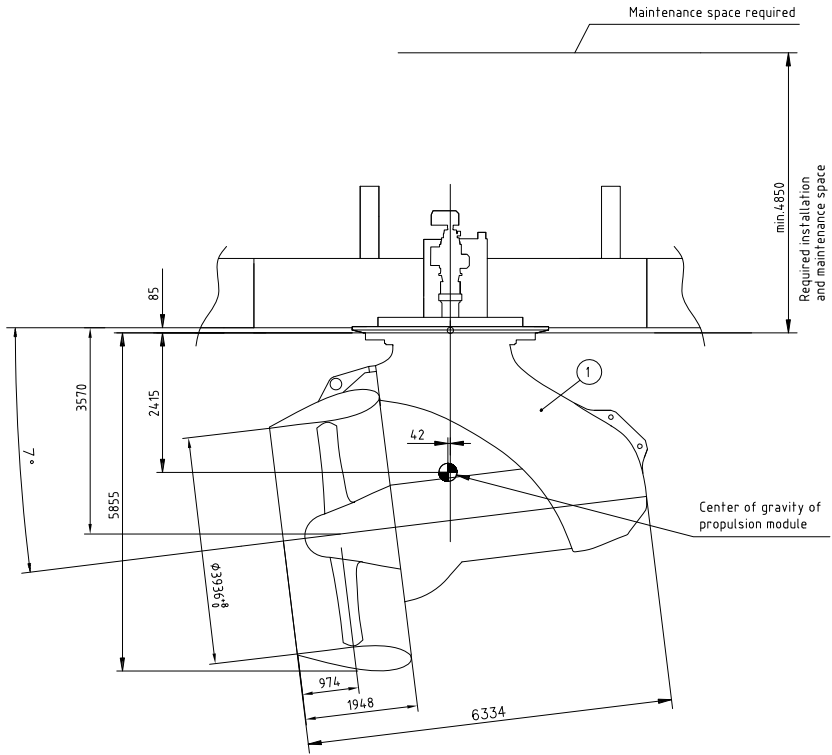


General tolerances for linear and angular dimensions and geometrical tolerances: ISO 2768-mK
 Referential standards BADA 422, DIN 7168T1
 Symbols for roughness according to ISO 1302, 9A0A 431
 We reserve all rights in this document and in the information contained therein. Reproduction, use or disclosure to third parties without the written consent of ABB Marine & Turbocharging, Propulsion Units



Max Weight: 500 kg
 Degrees of protection: IP44
 Max Overall Dimensions: 1800(h) x 1600(w) x 600(d)

Azipod Weight 83 350 kg
 Under water volume 20 m³

Number	Part	Weight [kg]
1	Propulsion Module (incl. propeller)	80000/51000x)
2	Steering motor	330 / unit
3	Auxiliary Device Cabinet	800
4	Steering Drive Cabinet	500 / unit

x) Weight in water

Prepared 2012-12-11 K.Autio	Separate part list with separate No. <input type="checkbox"/>	Title MAIN DIMENSIONS	Scale 1:50
Reviewed	Responsible department VAR	Distribution Functional code AH	Language EN
Approved	Original dwg		
Distribution Functional code AH		Order No. 83 350 kg	Size A2
ABB Marine & Turbocharging, Helsinki		Document No. 3AFV	Revision A Sheet 1/1

AutoCAD