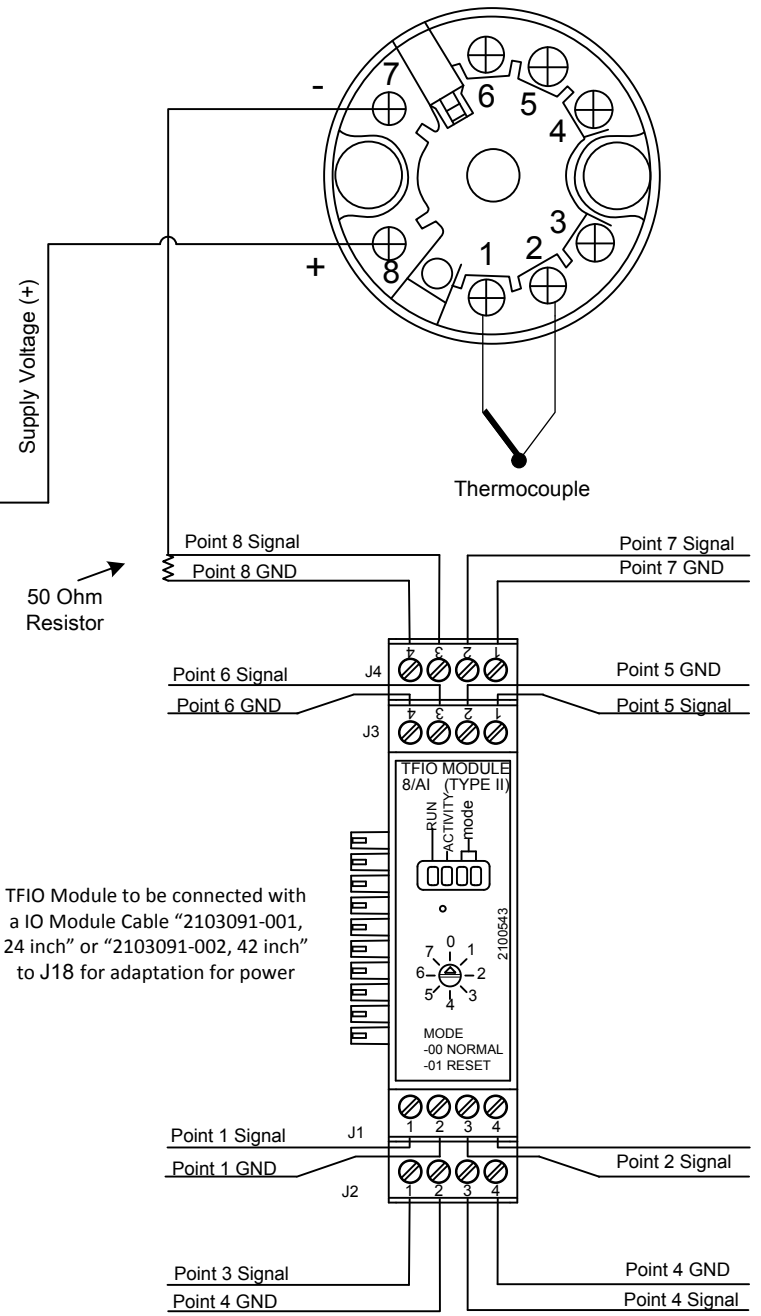
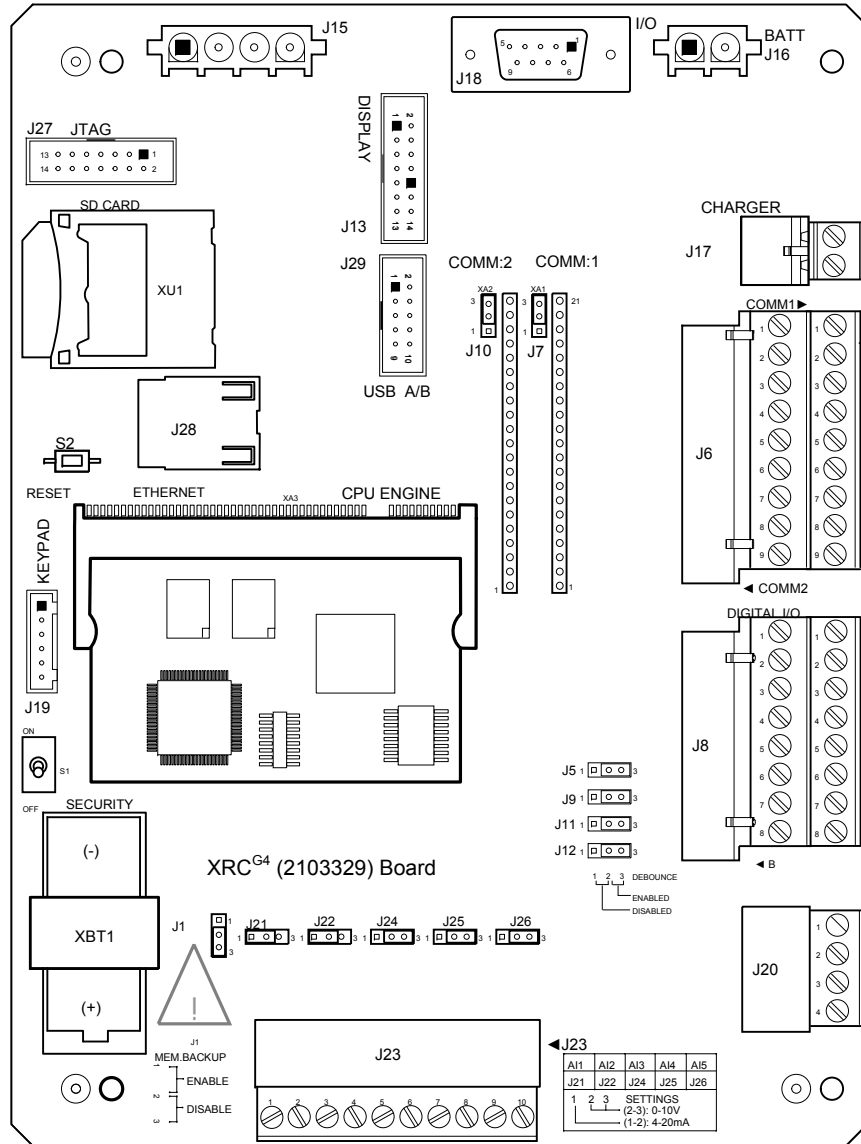


NOTES:

1. **WARNING:** This drawing does not illustrate the installation methods required for hazardous locations. Prior to any installation in a Classified Hazardous Location, verify installation methods by the Control Drawing referenced on the product's name tag and national and local codes.

ABB TTH300 Temperature Transmitter



TFIO Module to be connected with a IO Module Cable "2103091-001, 24 inch" or "2103091-002, 42 inch" to J18 for adaptation for power

REF: NA

ABB TOTALFLOW Products	ACTION	DOC TYPE	TITLE	DWG NO.	REV	SHEET
	L34344	UD	XRC ^{G4} (2103329 BD) TFIO AI MODULE TO TTH300 TEMPERATURE TRANSMITTER	2105069	AA	1 OF 1