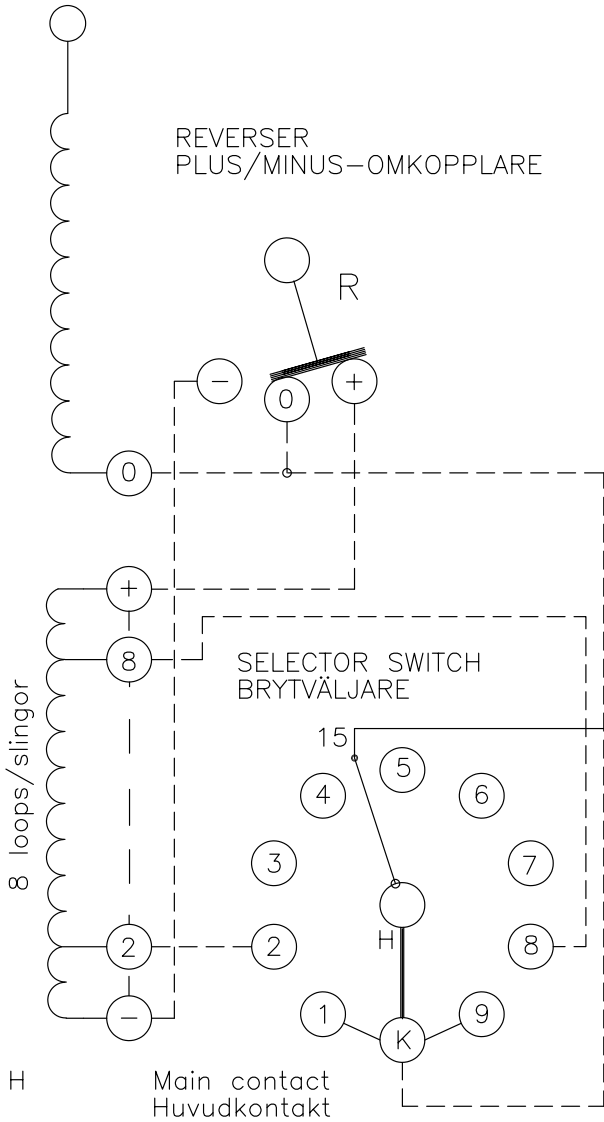


On-load tap-changer type VUBBR, UBBR, 15 tap positions, reverser.  
Max effective No. of turns in pos 1.  
The tap-changer is delivered set in pos 8, the preceding pos. was 8A.

Lindningskopplare typ VUBBR, UBBR, 15 lägen, plus/minus-koppling.  
Max antal effektiva varv i läge 1.  
Lindningskopplaren levereras inställd i läge 8, föregående läge var 8A.

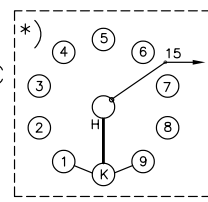
We reserve all rights in this document and in the information contained therein. Reproduction, use or disclosure to third parties without express authority is strictly forbidden.  
© ABB '19



Pos Läge	R connects förbinder	H connects förbinder
1		2 - 15
2		3 - 15
3		4 - 15
4		5 - 15
5		6 - 15
6	0+	7 - 15
7		8 - 15
8A		9 - 15
8		K - 15
8B		1 - 15
9		2 - 15
10		3 - 15
11	0-	4 - 15
12		5 - 15
13		6 - 15
14		7 - 15
15		8 - 15

1) OUTPUT TERMINAL STRÖMAVTAGNING

\*) FOR VUBB TYPE OF OLTC I VUBB UTFÖRANDE



1) Internal connections between the terminals 15 of the three phases are included in the star-point type. Connections between 9, K and 1 are included. Dashed lines show in delivery not included leads belonging to cleats and leads.

Inre förbindningar mellan uttag 15 i de tre faserna ingår i nollpunktsutförande. Förbindningar mellan 9, K och 1 ingår. Streckade linjer visar i leveransen ej ingående ledare tillhörande anslutningsdonet.

2	Output for VUBB type added.	DAAN	20	14
1	VUBBR added.	TL	10	27
Rev Ind	Revision	Appd	Year	Week

Accepted by qual control R.Yngvesson	Accepted for prod by	Description (English) CONNECTION DIAGRAM	DATAORIGINAL
Design checked by B-O.Stenestam	Drawn by L.Bergman	Description (own language) KOPPLINGSSHEMA	File name 0388-5
Drawing checked by M.Hedlund	Issued by Dept Year Week COM/TKO 97 32		Lang 1
Asea Brown Boveri		5492 0388-5	Rev Ind 2
			Sheet 1
			Cont -