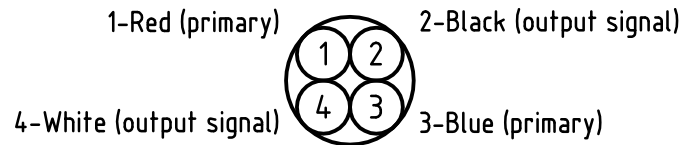


IMPORTANT!

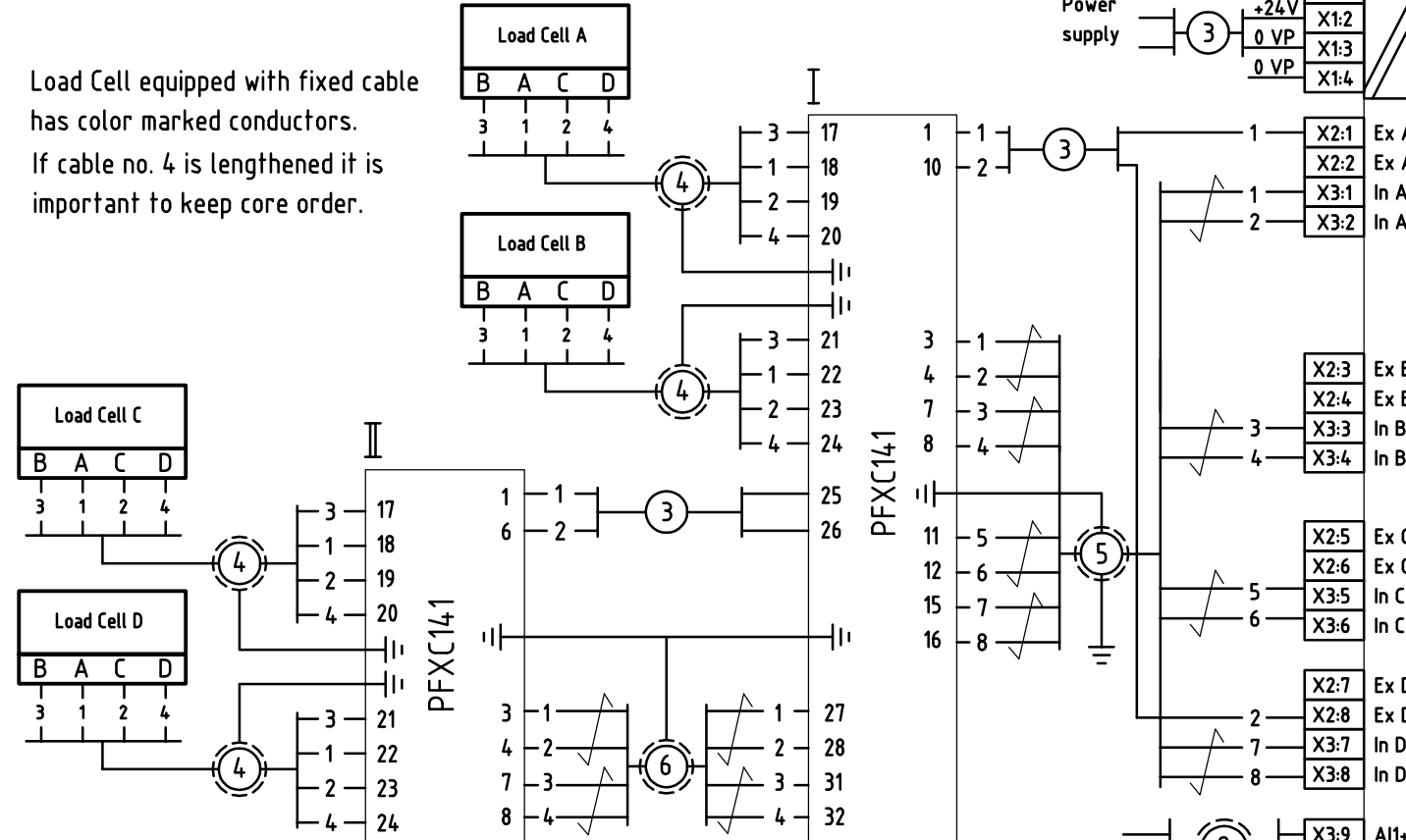
Core order along no. 4



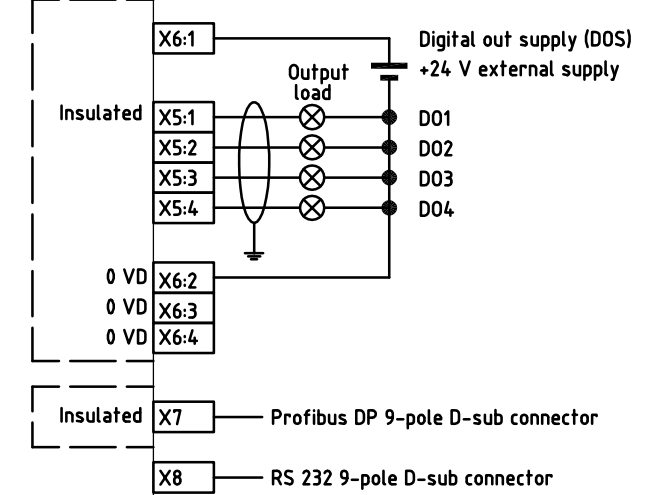
IP20:
 Power Supply 24 (18-36) VDC
 Signal earth (0V) connected to Tension Electronics metal plate
 Cable Shields should be connected to earth close to the Tension Electronics

IP65:
 Power Supply 100 (-15%) to 240 (+10%) VAC or 24 VDC
 Signal earth (0V) connected to earth bar inside the unit
 Cable Shields should be connected to earth bar inside the unit

Load Cell equipped with fixed cable has color marked conductors. If cable no. 4 is lengthened it is important to keep core order.



PFEA113

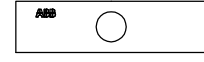


Increased Force in the direction of the arrow results in a positive output signal change.

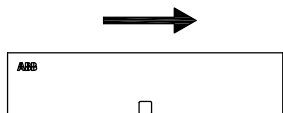
PFTL101



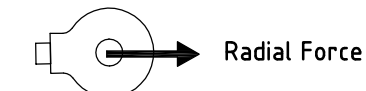
PFCL201



PFTL201



PFRL101



Because of practical reasons the Load Cell PFTL201 is often mounted so that the plug connector is pointing away from the roll. This results in that one of the Load Cells will have inversely applied force.

For inversely applied Force on Load Cell:	Swap
A	X3:1 & 2
B	X3:3 & 4
C	X3:5 & 6
D	X3:7 & 8

PFXC141
 Earth bar inside PFXC141 is insulated from earth. The earth bar is for connecting the shield on the load cell cables with the shield on cable no. 5.

Cable resistance between X2:1 and X2:8 must not exceed 10 ohm.

CABLE LIST	
1	3 x 1,5...2,5 mm ² [14...12 AWG]
2	2 x 0,4...1 mm ² [22...18 AWG] —Shielded
3	2 x 1,5...2,5mm ² [14...12AWG]
4	4 x 1,0 mm ² [18 AWG] —Shielded, with Male plug connector *)
5	4 x 2 x 0,5 mm ² [20 AWG] —Shielded twisted pair
6	2 x 2 x 0,5 mm ² [20 AWG] —Shielded twisted pair

*) Load cell equipped with fixed cable has no plug connector.

Removed Load Cell (s)	Connect shorting wire in PFXC141 at
A	I 17 & 18
B	I 21 & 22
C	II 17 & 18
D	II 21 & 22

REV	DESCRIPTION	DATE	DEPT./INIT.
D	Sh. 7 added.	2013-06-04	PAFM7GS/MS
C	Instruction for single load cell application adjusted.	2007-04-18	PA/FM/GF/ZR
B	X1:2 +24V was 0 VP; X1:3 and X1:4 added.	2002-12-16	ATCF/FM/GB/MSS
A	New document	2002-11-28	ATCF/FM/GB/MSS

Prep.	PAMP/FMFA	Birgitta Johansson	2013-06-04
Appr.	PAMP/FMGS	Fredrik Norlund	2013-06-20
Resp.dept	PAMP/FMGF		

ABB ABB AB

Cable diagram		Cont.sh./No of sh.
Tension Electronics PFEA113		
Tension Electronics PFEA113		4/7
Document number	Lang.	Rev.
3BSE028144D0065	en	D
Sheet		3

Product family : 661230 Bansk. mätare PRT100
 Product type designation : PFEA100
 Product information :

Project or order number :
 Customer reference :
 Modify date :

Document status : Approved

We reserve all rights in this document and in the information contained therein. Reproduction, use or disclosure to third parties without express authority is strictly forbidden.