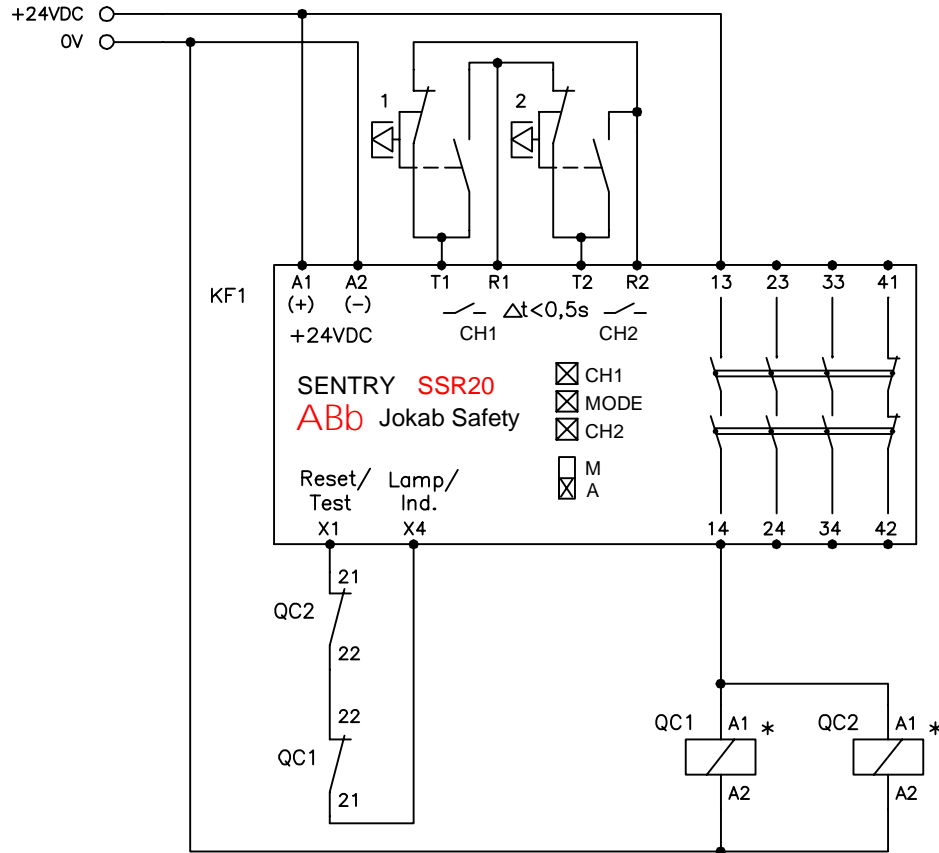
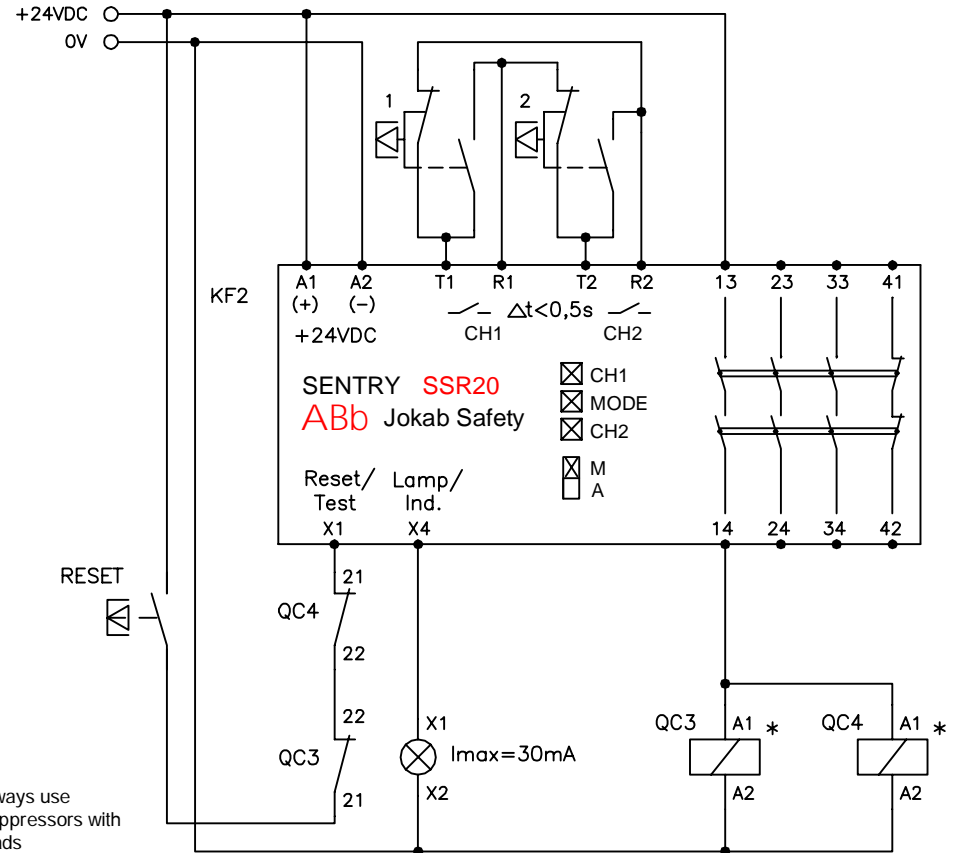


A) Two-hand device / Auto reset



A) Two-hand device / Manual reset



Anmärkning Remark

CONNECTION EXAMPLE SSR20

ABb Jokab Safety

Konstr Design	Godk Appr	Datum Date	Blad Sheet
ABB		20160909	
Ritad Drawn	Sidor Pages	Ritn nr Drawing no	Forts Cont
ABB		2TLC010009T0001	