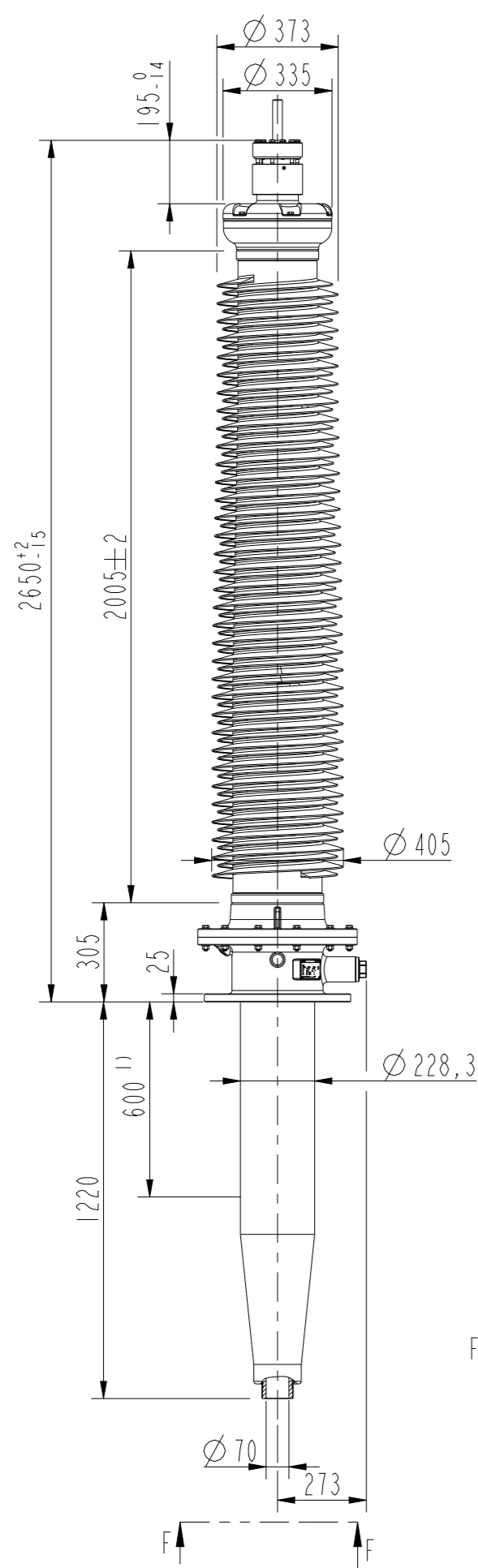


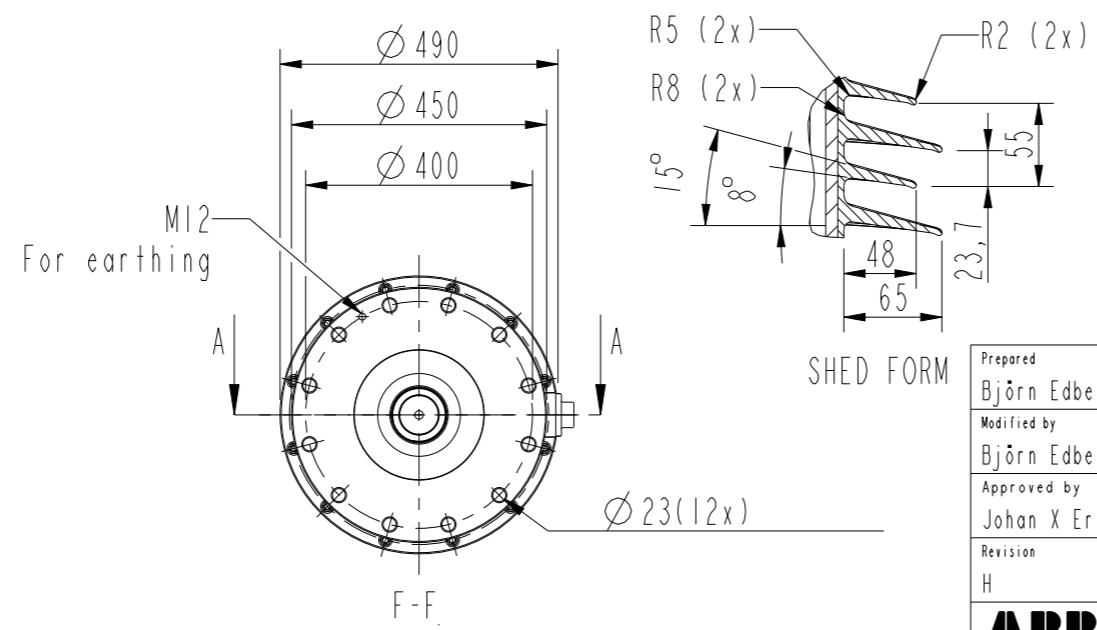
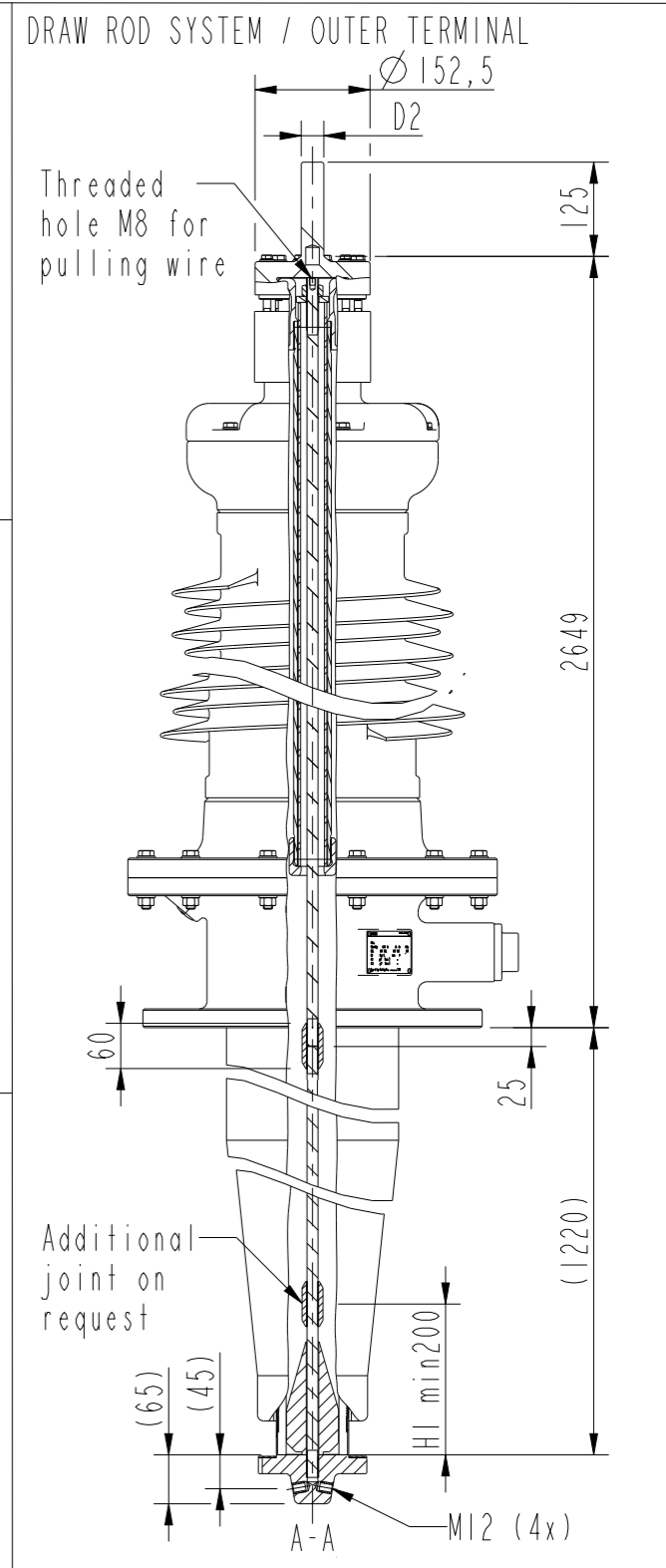
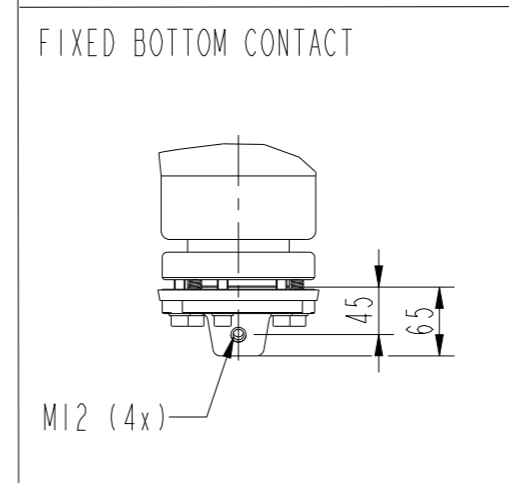
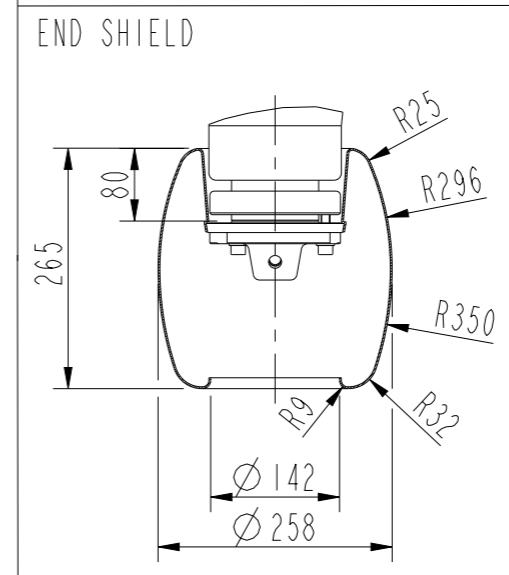
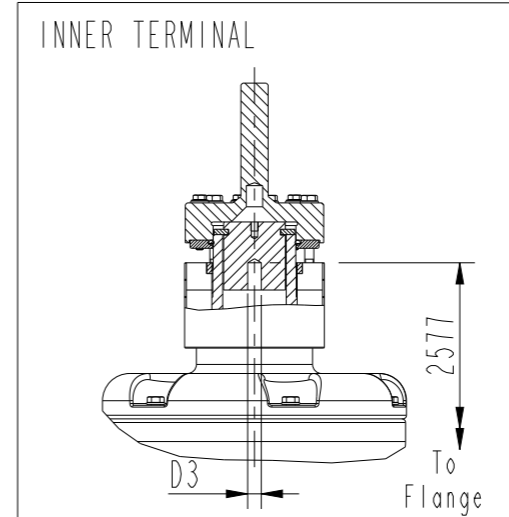
This document is issued by means of a computerized system. The digitally stored original is electronically approved. The approved document has a date entered in the 'Approved'-field. A manual signature is not required.

The information contained in this document has to be kept strictly confidential. Any unauthorized use, reproduction, distribution or disclosure to third parties are strictly forbidden. ABB reserves all rights regarding Intellectual Property Rights. © Copyright 2013 ABB. All rights reserved.



Bushings Data:		
Rated Voltage	245	kV
Phase-to-earth Voltage	146	kV
Dry Lightning Impulse 1,2/50µs	1050	kV
Dry Switching Impulse	850	kV
Wet Power Frequency AC	460	kV
Routine test Imin dry 50Hz	506	kV
Rated Current	2000	A
Creepage Distance, nominal	8705	mm
Creepage Distance, minimum	8355	mm
Mass, Bushing	275	kg

Ordering Data:		
<b>BUSHING</b>		AIR INSULATOR COLOUR/TYPE
IZSC901245 -CAB	Test tap	Composite
IZSC901245 -CBB	Voltage tap 6kV	Composite
<b>OUTER TERMINAL</b>		MATERIAL D2 (mm)
IZSC999001-AAA		Al 30
IZSC999001-AAB		Al 60
IZSC999001-AAC		Cu 30
IZSC999001-AAD		Cu 40
<b>DRAW ROD SYSTEM</b>		
IZSC999006	Lower draw rod	
IZSC999007	Upper draw rod	
<b>INNER TERMINAL</b>		D3 (mm)
IZSC999005-AAA		15
IZSC999005-AAB		30
IZSC999005-AAC		40
IZSC999005-AAD		42
<b>FIXED BOTTOM CONTACT</b>		
IZSC999002-AAE		
<b>END SHIELD</b>		Epoxy insulated
IZSC999003-AEA		



1) Maximum length of CT

Prepared Björn Edberg	2015-06-09	Responsible department PPCO/BK	Title GSB 245/2000/0.6	Language 82
Modified by Björn Edberg	2015-06-15	Take over department		
Approved by Johan X Eriksson	2015-06-15	Used in product	Order	Sheet no. 1
Revision H	Mass			
Document no. 2751377-10			No. Shits. (1)	

