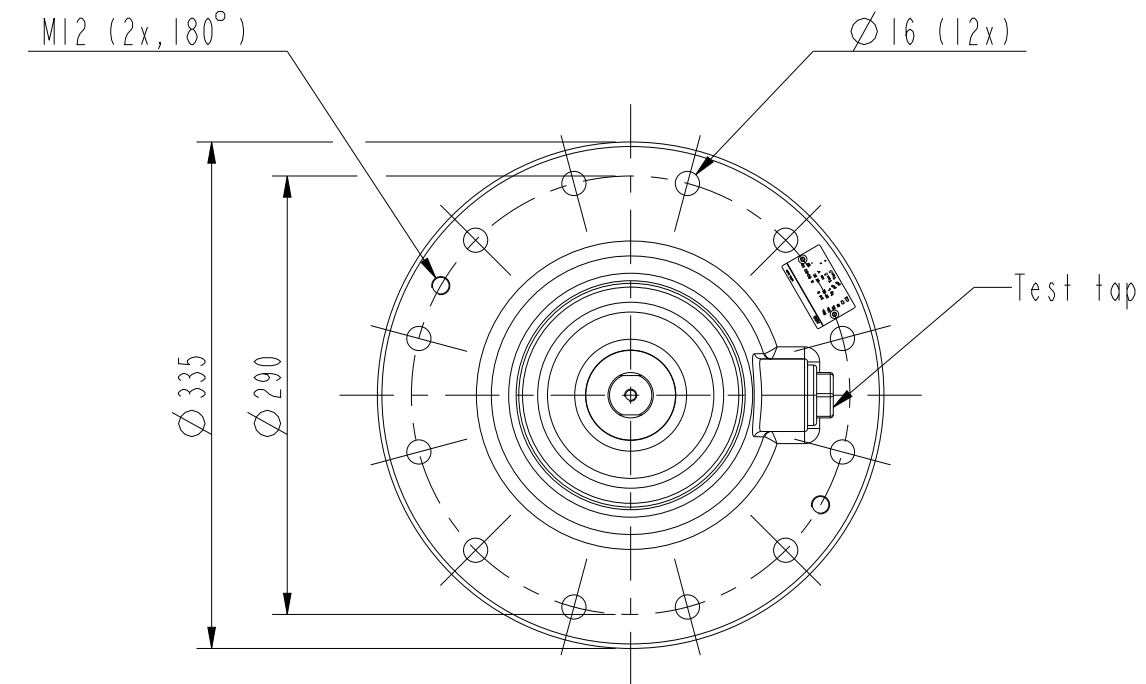
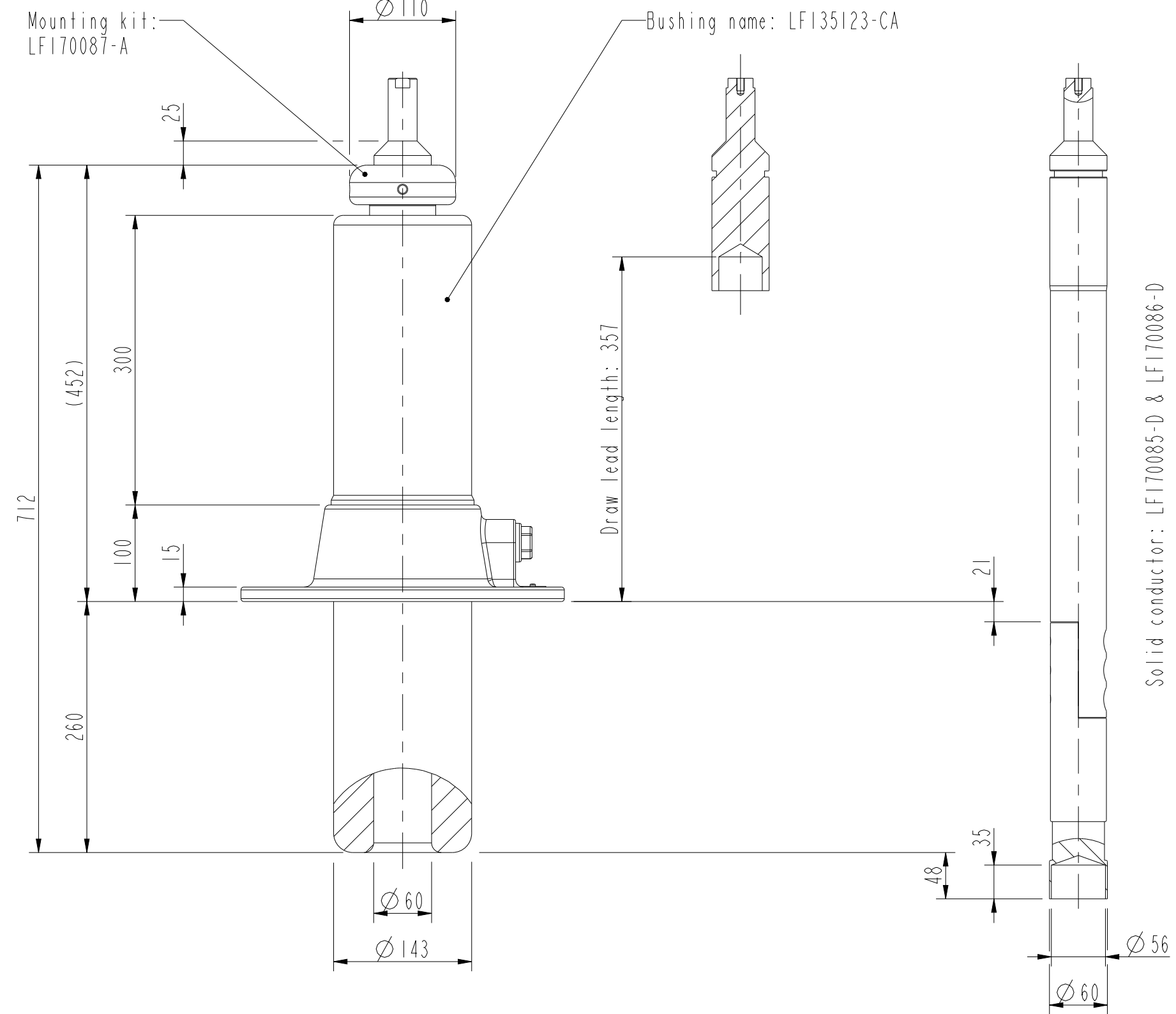


This document is issued by means of a computerized system. The digitally stored original is electronically approved. The approved document has a date entered in the "Approved"-field. A manual signature is not required.



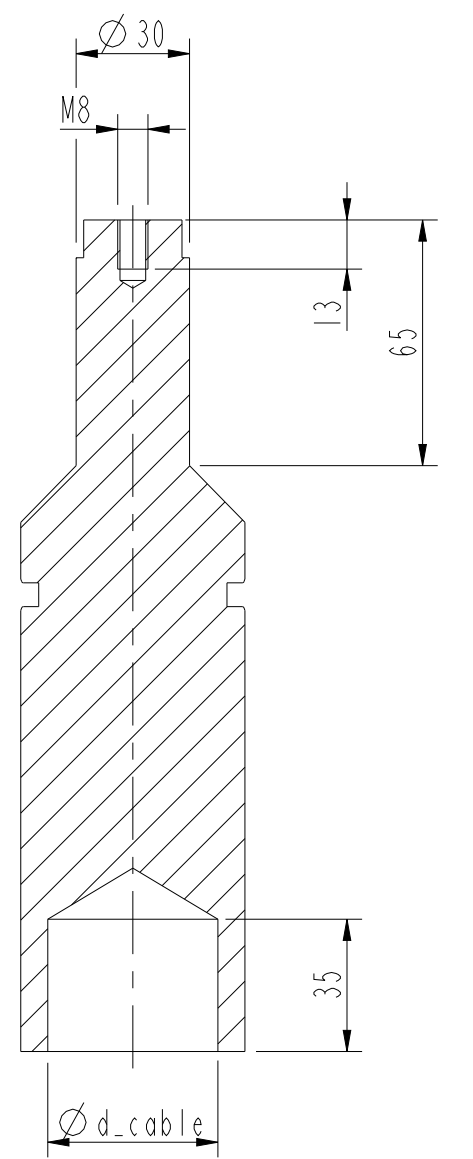
Conductor, upper (Cu)	
Catalog No.	MASS
LF170085-D	13

Conductor, lower (Cu)	
Catalog No.	MASS
LF170086-D	5

Mass: 3.5 kg

Terminal (Cu)	
Catalog No.	d_cable
LF170084-A	5
LF170084-B	11
LF170084-C	13
LF170084-D	15
LF170084-E	18
LF170084-F	30
LF170084-G	42
LF170084-H	45
LF170084-I	50
LF170084-J	54

Revision: Revision test  
C Capacitance updated.



**ELECTRICAL DATA acc. to IEC 60137**

Ratings	Rated voltage	170	kV
	Max. phase to earth voltage	98	kV
	Max. phase to earth voltage, temporary	170	kV
	Max. current with Cu-conductor	2000	A
	Max. current with stranded cable 1200 mm <sup>2</sup>	1600	A
	Dry lightning impulse	550	kV
	Chopped lightning impulse	633	kV
Routine test	Dry power frequency	260	kV
Capacitance	Nominal capacitance	142	pF

**GENERAL DATA acc. to IEC 60137**

Mass	Mass bushing	14	kg
Cantilever load	Cantilever test load, according to IEC 60137	3150	N
	Max. cantilever operating load, bushing	1575	N
Ambient air temperature according to IEC 60137		-40 to +40	°C
Mounting and service instructions		2750515-138	

**ELECTRICAL DATA acc. to ANSI C57.19.00**

Ratings	Insulation class	115	kV
	Rated max. line to ground voltage	88	kV
	Max. current with Cu-conductor	2000	A
	Max. current with stranded cable 1200 mm <sup>2</sup>	1600	A

Dim. requirements acc. to C57.19.01 not fulfilled

Approved 2021-01-21	Document Kind Dimension Drawing	Based on doc.id	Work order id	Project id
Company ABB Technology Ltd	Title, Supplementary title Dimension drawing GSA 123-00 2000/0			
Responsible Department SEABB-9AAE300824	Måttskiss GSA 123-00 2000/0			
<b>ABB</b>	Document id 2751365-CA	Status Released	Revision C	Iteration 1/1

<b>ABB</b>	Ludvika, Sweden
GSA 123-00/2000/0	LF135123-CA
<b>No.</b>	
Um 170 kV Ir2000 A 50/60 Hz	
BIL 550 kV SIL - kV AC 260 kV	
M 14 kg L 260 mm ∠ 0-90°	
C1	pF Tan δ x
C2	pF Tan δ x