
Electrical installation solutions for buildings – Technical details

Pedestals

Index

Power dissipation values – EH Pedestals	23/2
Dimensional drawings	23/7

Pedestals technical details

Power dissipation values – EH Pedestals

Dissipation Watt	Temperature rise [Kelvin]									
	EH1 752×385×270		EH2-NA 256×433×240		EH2-NB 516×433×240		EH2-NC 791×433×240		EH2-ND 1066×433×240	
	Half	Top	Half	Top	Half	Top	Half	Top	Half	Top
10		5	7	8	5	6		5		5
20	7	9	13	14	8	10	7	8	5	8
30	10	12	17	19	11	14	9	12	7	11
40	12	15	22	24	14	17	12	15	9	14
50	18	26	29	17	21	14	17	11	17	
60	21	30	34	20	24	16	20	13	20	
70	24	34	38	23	27	18	23	14	23	
80	26	38	43	25	30	20	25	16	25	
90	29	42	47	28	33	23	28	18	28	
100	32	46	51	30	36	25	30	19	30	
120	37	53		35	42	28	35	22	35	
140	41			39	48	32	40	25	40	
160	46			44	53	36	44	28	44	
180	51			48		39	49	31	49	
200	55			53		43	53	34	53	
220				57		46		36	57	
240						50		39		
260						53		42		
280						56		44		
300								47		
350								53		

Pedestals technical details

Power dissipation values – EH Pedestals

Dissipation Watt	EH4 Stand alone								Temperature rise [Kelvin]	
	EH4-00 1.004×395×224		EH4-0 1.004×495×224		EH4-1 1.004×745×224		EH4-S1 820×320×234			
	Half	Top	Half	Top	Half	Top	Half	Top		
10		4		5			4	5		
20	6	8	5	8		6	7	9		
30	9	11	7	11	5	8	10	13		
40	11	14	9	14	7	10	13	16		
50	13	16	11	17	8	12	15	19		
60	15	19	13	20	9	14	18	22		
70	17	21	14	22	11	15	20	25		
80	19	24	16	25	12	17	22	28		
90	21	26	18	27	13	19	25	31		
100	23	28	19	29	14	21	27	34		
120	26	33	22	34	16	24	31	39		
140	30	37	25	39	19	27	35	44		
160	33	41	28	43	21	30	39	49		
180	36	45	31	47	23	33	43	54		
200	39	49	33	51	25	36	47	59		
220	42	53	36	55	27	39	51	64		
240	46	57	39	59	29	42	54	68		
260	49	61	41	63	31	44	58	73		
280	52	65	44	67	33	47	62	77		
300	55	68	46	71	34	50	65			
350	62	77	52		39	56	74			
400	69		58		43	63				
450	76		64		48	69				
500			70		52	75				
550			75		56					
600					60					
650					64					
700					68					
750					72					
800					76					
850					80					

Pedestals technical details

Power dissipation values – EH Pedestals

Dissipation Watt	EH3 Stand alone																Temperature rise [Kelvin]
	EH3/F-0 EH3/AP-0 875×590×320		EH3/F-1 EH3/AP-1 875×785×320		EH3/F-2 EH3/AP-2 875×1.115×320		EH3/F-3 EH3/AP-3 875×1.445×320		EH3/AP-20 1.125×590×320		EH3/AP-21 1.125×785×320		EH3/AP-22 1.125×1.115×320		EH3/AP-23 1.125×1.445×320		
	Half	Top	Half	Top	Half	Top	Half	Top	Half	Top	Half	Top	Half	Top	Half	Top	
10																	
20	5	6		5					5		4						
30	6	9	5	7		5			5	7	4	6		4			
40	8	11	6	9	5	6		5	6	9	5	7		5		4	
50	10	13	8	10	6	7	5	6	8	11	6	8	5	6	4	5	
60	11	16	9	12	7	9	5	7	9	13	7	10	5	7	5	6	
70	13	18	10	13	7	10	6	8	10	14	8	11	6	8	5	7	
80	14	20	11	15	8	11	7	8	11	16	9	12	7	9	6	8	
90	16	22	12	16	9	12	7	9	12	18	10	14	7	10	7	9	
100	17	23	13	18	10	13	8	10	13	19	11	15	8	11	7	9	
120	20	27	15	21	11	15	9	12	15	22	12	17	9	12	8	11	
140	22	31	17	23	13	17	10	13	17	25	14	19	10	14	9	12	
160	25	34	19	26	14	19	12	15	19	28	15	22	12	16	10	14	
180	27	38	21	29	16	21	13	16	21	31	17	24	13	17	11	15	
200	29	41	23	31	17	22	14	18	23	33	18	26	14	19	13	16	
220	32	44	25	34	19	24	15	19	25	36	20	28	15	20	14	18	
240	34	47	27	36	20	26	16	21	27	39	21	30	16	22	14	19	
260	36	51	29	38	21	28	17	22	28	41	23	32	17	23	15	20	
280	39	54	30	41	23	29	18	23	30	44	24	34	18	25	16	21	
300	41	57	32	43	24	31	19	25	32	46	26	36	19	26	17	23	
350	46		36	49	27	35	22	28	36	52	29	40	22	29	20	26	
400	51		41	54	30	39	24	31	40		32	45	24	33	22	29	
450	57		45		33	43	27	34	44		35	50	27	36	24	31	
500			48		36	47	29	37	48		39	54	29	39	26	34	
550			52		39	51	31	40	52		42		31	42	28	37	
600			56		42	54	34	43	56		45		34	45	30	40	
650					45		36	46			48		36	48	32	42	
700					47		38	49			51		38	51	34	45	
750					50		40	51			53		40	54	36	47	
800					53		42	54			56		43		38	50	
850					55		44	57					45		40	52	
900							47						47		42	55	
950							49						49		44		
1.000							51						51		46		
1.100							55						55		49		
1.200															53		
1.300															56		

Pedestals technical details

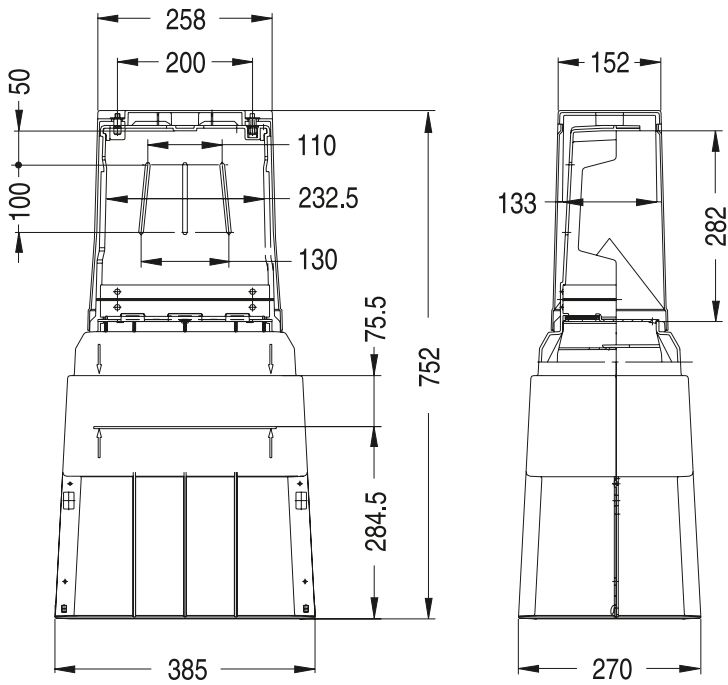
Power dissipation values – EH Pedestals

Dissipation Watt	EH3 Stand alone																Temperature rise [Kelvin]
	EH3/DC-1		EH3/DC-2		EH3/GD-AP - 031		EH3/GD-AP - 041		EH3/GD-AP - 051		EH3/GD-AP - 233		EH3/GD-AP - 243		EH3/GD-AP - 253		
	875×785×320 Half	875×785×320 Top	875×1115×320 Half	875×1115×320 Top	875×676×541 Half	875×676×541 Top	875×871×541 Half	875×871×541 Top	875×1.200×541 Half	875×1.200×541 Top	1.125×676×676 Half	1.125×676×676 Top	1.125×871×676 Half	1.125×871×676 Top	1.125×1.200×676 Half	1.125×1.200×676 Top	
10																	
20		5				5											
30	5	7		5	5	7	4	5				4					
40	6	9	5	6	6	8	5	7		5		5		5			
50	8	10	6	7	7	10	6	8	5	6	5	6	4	5		5	
60	9	12	7	9	9	11	7	9	5	7	5	7	5	6	4	5	
70	10	13	7	10	10	13	8	10	6	8	6	8	6	7	5	6	
80	11	15	8	11	11	14	9	12	7	9	7	9	6	8	5	7	
90	12	16	9	12	12	16	10	13	8	10	7	10	7	9	6	7	
100	13	18	10	13	13	17	11	14	8	11	8	11	7	10	6	8	
120	15	21	11	15	15	20	12	16	10	12	9	12	9	11	7	9	
140	17	23	13	17	17	22	14	18	11	14	11	14	10	13	8	11	
160	19	26	14	19	19	25	16	20	12	15	12	15	11	14	9	12	
180	21	29	16	21	21	27	17	22	13	17	13	17	12	15	10	13	
200	23	31	17	22	23	30	19	24	14	18	14	18	13	17	11	14	
220	25	34	19	24	24	32	20	26	16	20	15	20	14	18	12	15	
240	27	36	20	26	26	32	22	28	17	21	16	21	15	19	13	16	
260	29	38	21	28	28	37	3	30	18	23	17	23	16	21	14	18	
280	30	41	23	29	30	39	25	32	19	24	18	24	17	22	15	19	
300	32	43	24	31	31	41	26	34	20	25	19	26	18	23	16	20	
350	36	49	27	35	35	47	29	38	23	29	22	29	20	26	18	22	
400	41	54	30	39	39	52	33	42	25	32	25	32	23	29	20	25	
450	45		33	43	43		36	47	28	35	27	35	25	32	22	27	
500	48		36	47	47		39	51	30	38	29	38	27	35	24	30	
550	52		39	51	51		42	55	33	41	32	42	29	38	25	32	
600	56		42	54	55		45		35	44	34	45	31	40	27	34	
650			45				48		37	47	36	47	34	43	29	37	
700			47				51		40	50	38	50	36	46	31	39	
750			50				54		42	53	41	53	38	48	33	41	
800			53						44	56	43	56	40	51	34	43	
850			55						46		45		42	54	36	46	
900									49		47		44	56	38	48	
950									51		49		46		40	50	
1.000									53		51		47		41	52	
1.100											55		51		44	56	
1.200													55		48		
1.300															51		
1.400															54		

Pedestals

EH1 - Small pedestal - Dimensional drawings

EH1 - Small pedestal

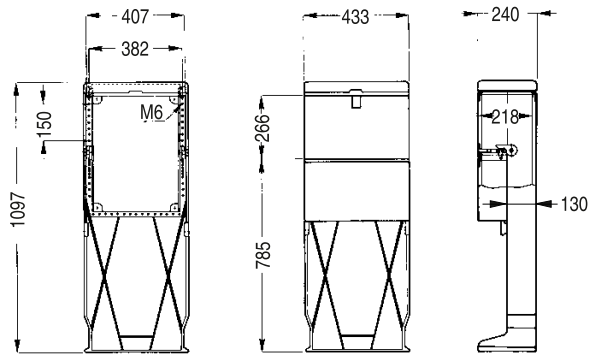


Pedestals

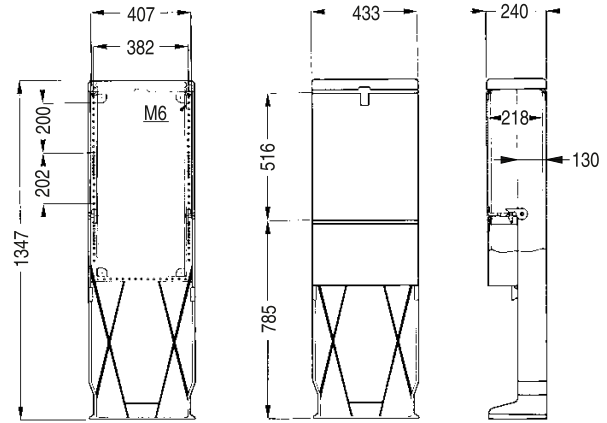
EH2 - Dimensional drawings

EH2 - Column cabinets

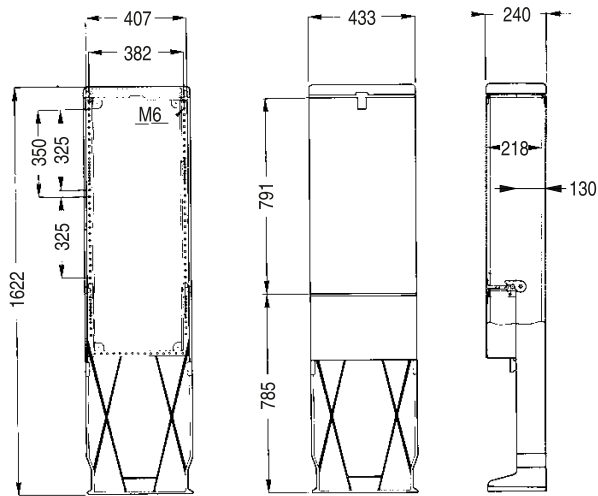
EH2-NA



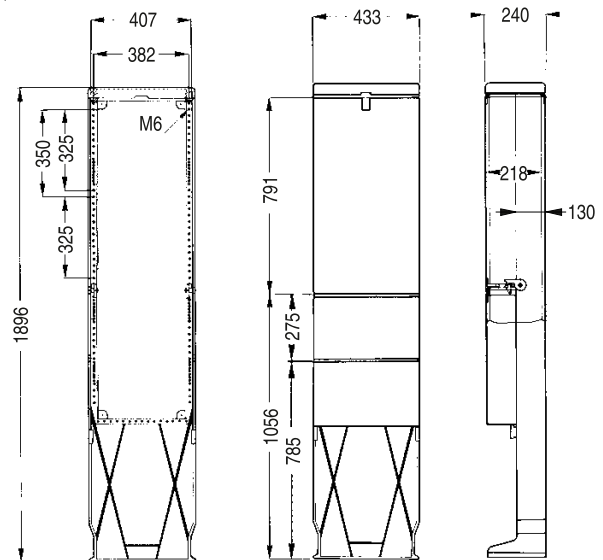
EH2-NB



EH2-NC

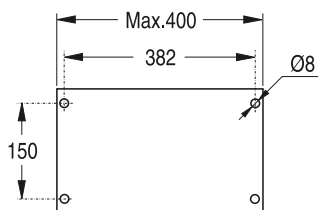


EH2-ND

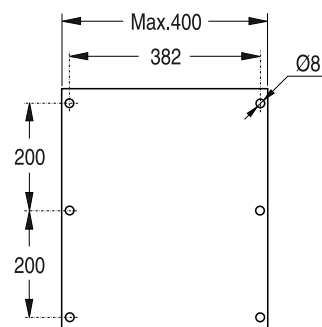


EH2 - Mounting plates

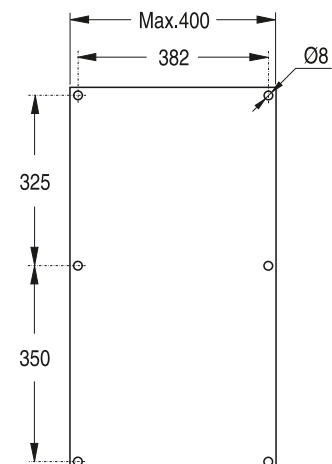
EH2-NA



EH2-NB



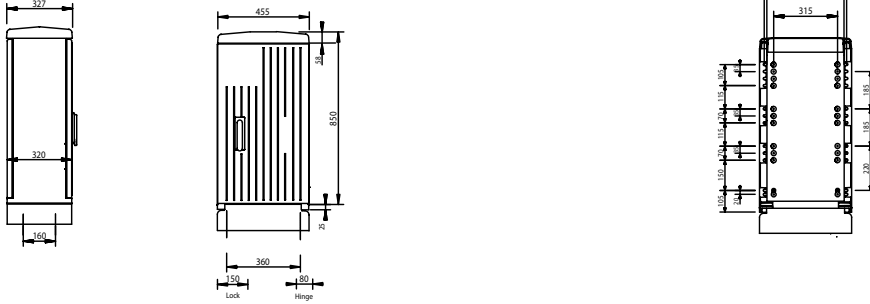
EH2-NC/ND



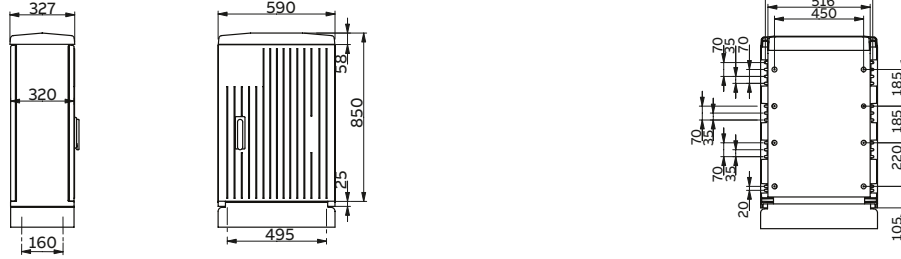
Pedestals

EH3 - Dimensional drawings

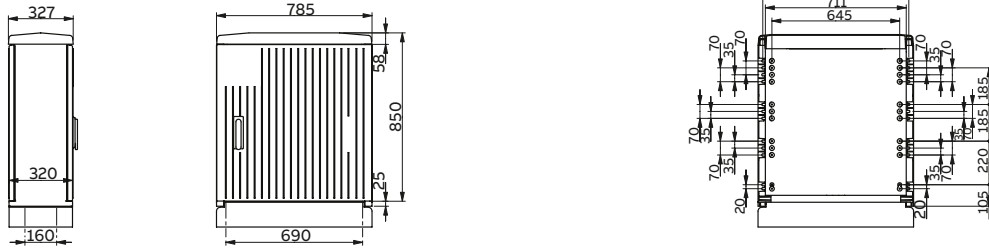
EH3 - 00



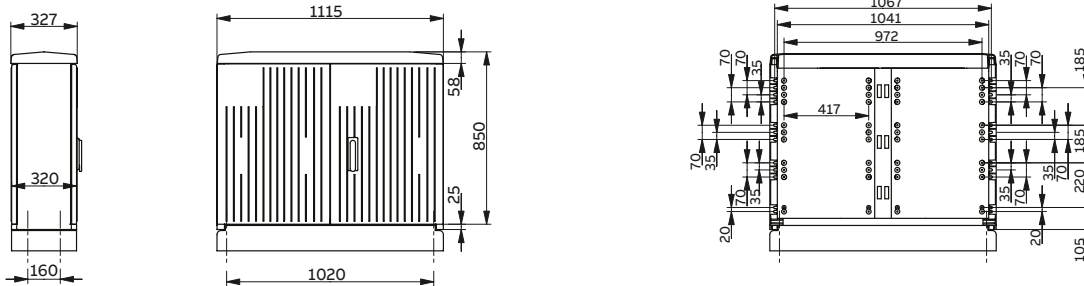
EH3 - 0



EH3 - 1



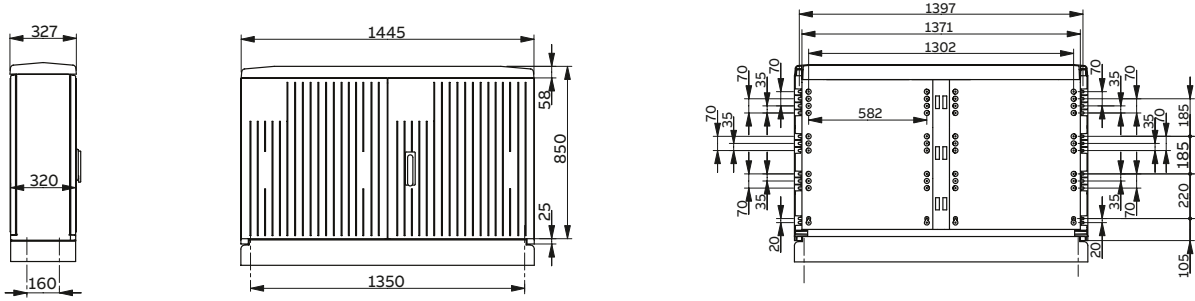
EH3 - 2



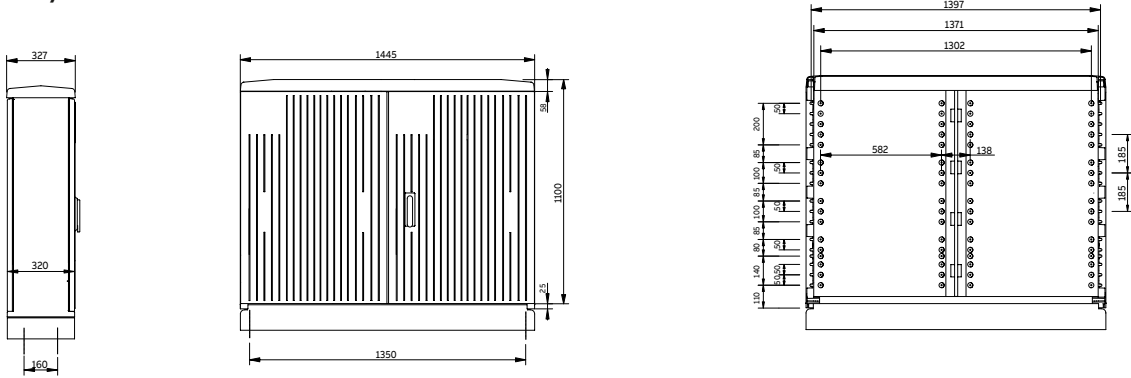
Pedestals

EH3 - Dimensional drawings

EH3 - 3



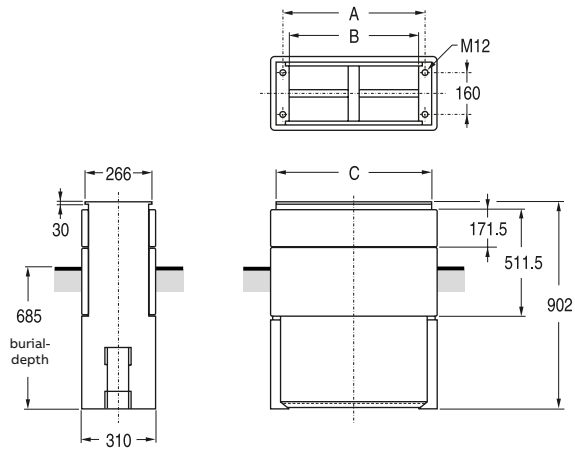
EH3/AP - 23



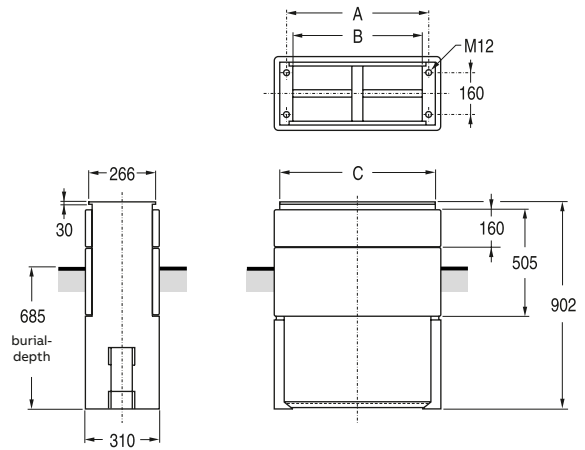
Pedestals

EH3 - Dimensional drawings

Polyester bases DIN 00-0-1-2



Polyester bases DIN 3

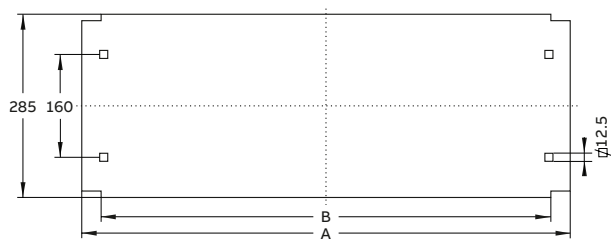


The dimensions of the base fixation points are in accordance with DIN 43629.

Dimensions				
DIN	00	0	1	2
A	360	495	690	1.020
B	322	457	652	982
C	408	543	738	1.068

Dimensions	
DIN	3
A	1.35
B	1.315
C	1.400

Bottom plate



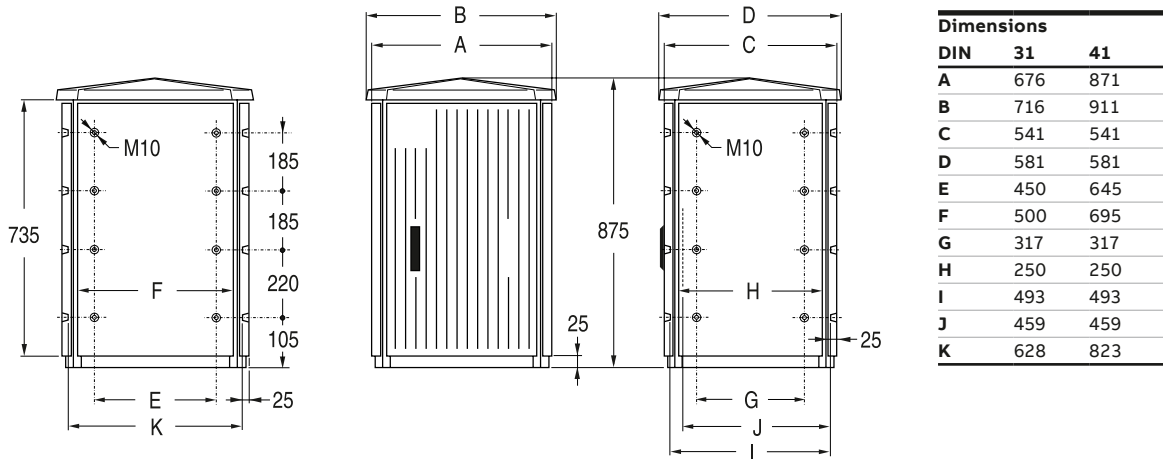
To be mounted between pedestal and DIN-base or as bottom plate of the enclosure.

Dimensions					
DIN	00	0	1	2	3
A	427	562	757	1.086	1.416
B	360	495	630	1.020	1.350

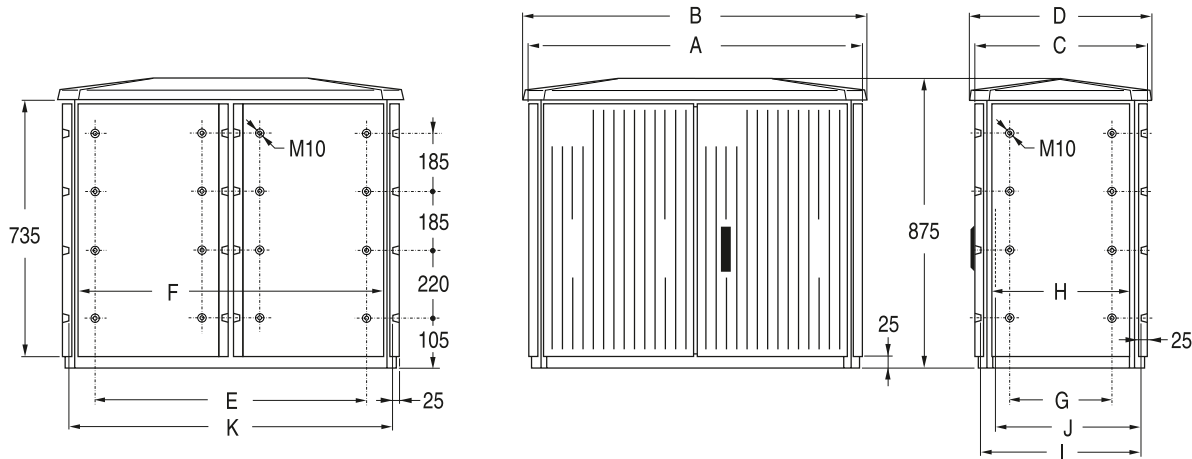
Pedestals

EH3 / GD - Dimensional drawings

EH3/GD-AP 031 - EH3/GD-AP 041

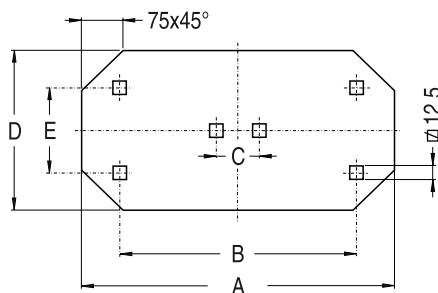


EH3/GD-AP 051



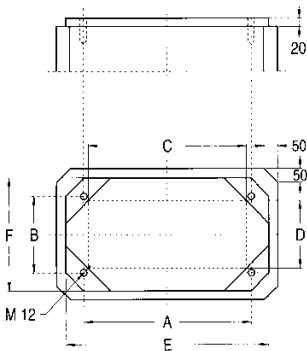
Dimensions											
DIN	A	B	C	D	E	F	G	H	I	J	K
51	1200	1240	541	581	972	1025	317	250	493	459	1.152

Bottom plate



Dimensions						
DIN	31	233	41	243	51	253
A	635	635	830	830	1158	1158
B	495.5	496.5	691.5	691.5	1021	1021
C	-	-	-	-	50	50
D	380	632	388	632	380	632
E	245	498	246	498	245	498
No of holes	4	4	4	4	6	6

Polyester base

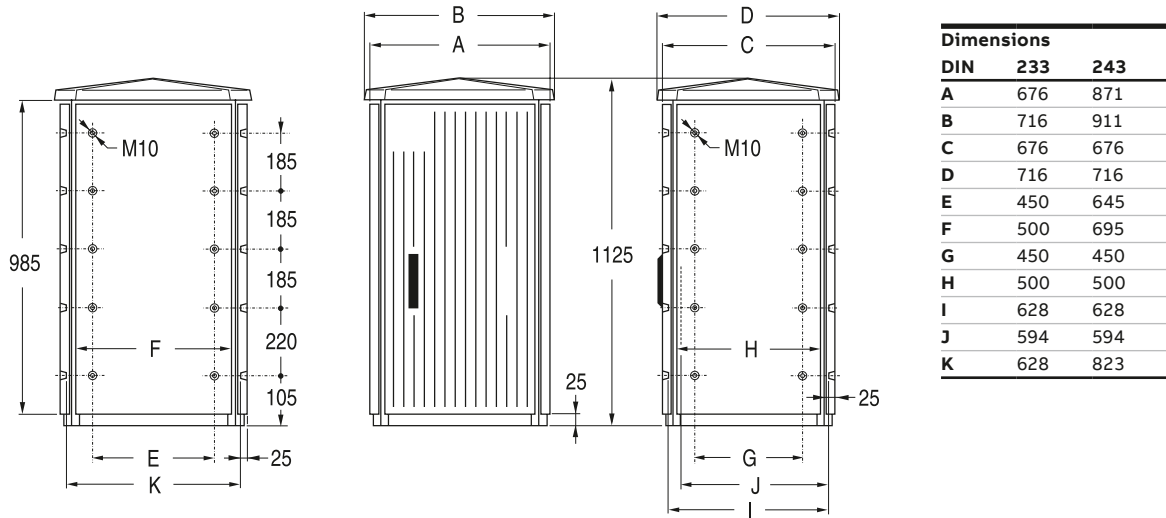


Dimensions						
DIN	31	233	41	243	51	253
A	498	498	693	693	1022	1022
B	246	498	246	498	246	498
C	456	456	651	651	980	980
D	205	456	204	456	204	456
E	626	626	821	821	1150	1150
F	374	626	374	626	374	626

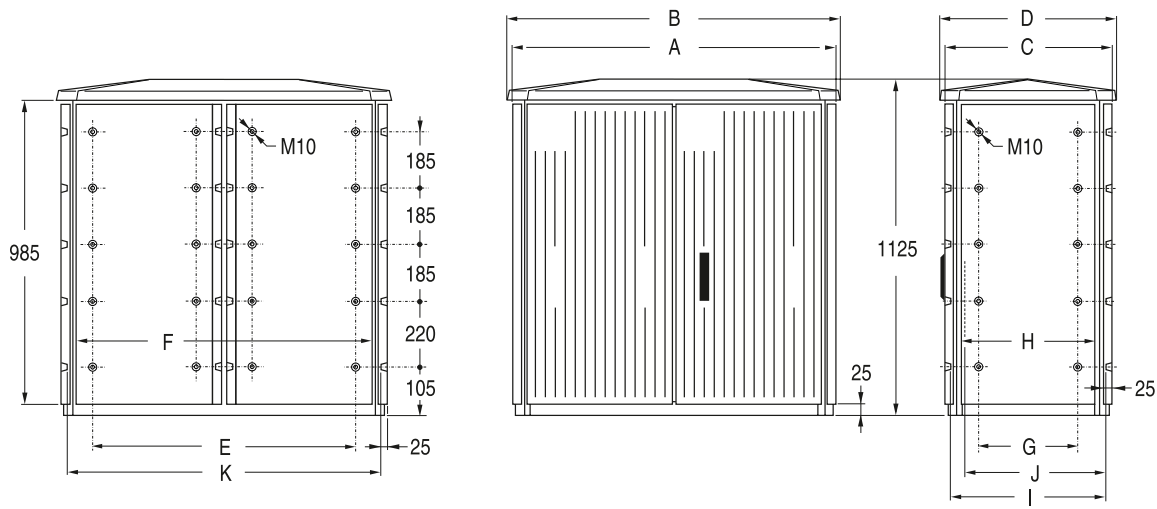
Pedestals

EH3 / GD - Dimensional drawings

EH3/GD-AP 233 - EH3/GD-AP 243



EH3/GD-AP 253

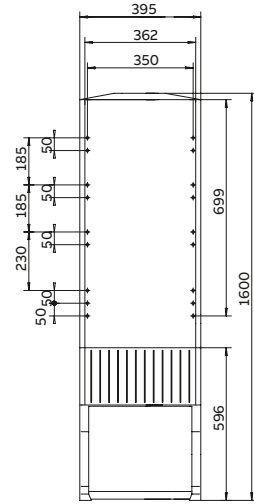
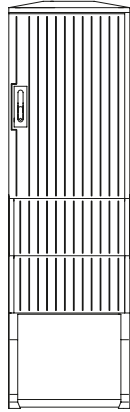
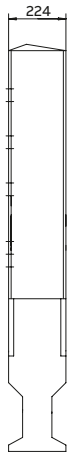


Dimensions											
DIN	A	B	C	D	E	F	G	H	I	J	K
253	1.200	1.240	676	716	972	1.025	450	500	628	594	1.152

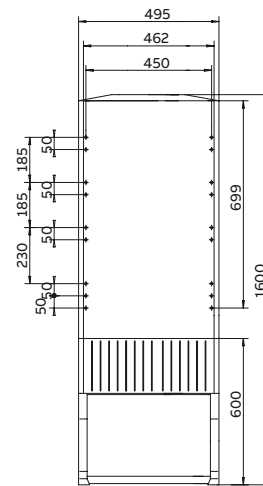
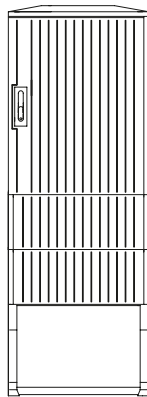
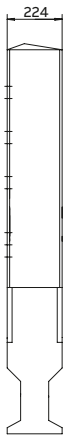
Pedestals

EH4 - Dimensional drawings

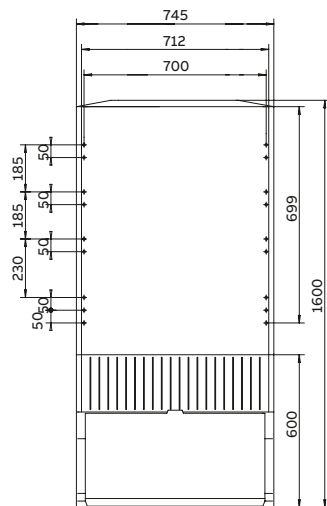
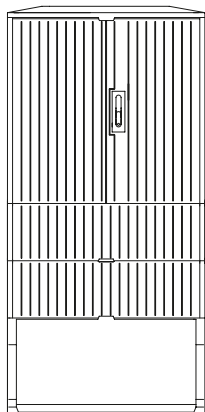
EH4 - 00



EH4 - 0



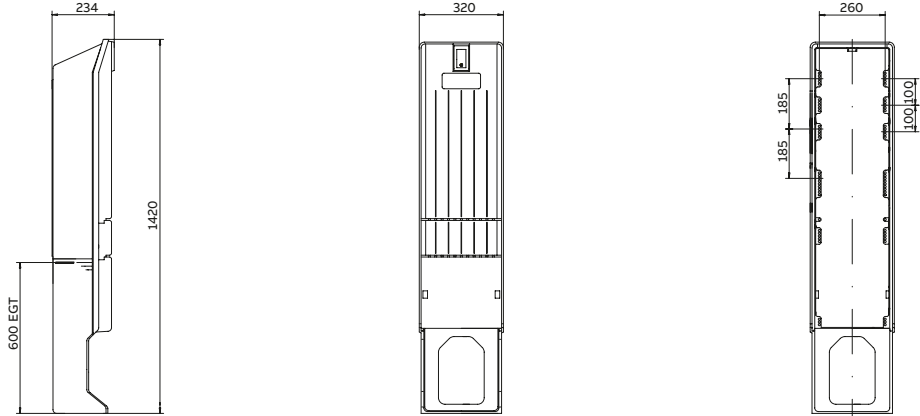
EH4 - 1



Pedestals

EH4 - Dimensional drawings

EH4 - S1



EH4 - S2

