

VR Series

Class I Division 2,
Groups A, B, C and D hazardous
location remote fixture



Key features and benefits

Description

- Available with single or double lamp heads
- Die-cast aluminum back plate with gasket
- Vandal-resistant UV stabilized polycarbonate lamp cover
- Comes standard with tamper-proof screws and bit
- Universal J-box mounting
- Extreme operational temperature range:
-40°F to +104°F

Mounting

- Surface mount
- Conduit entry 1/2" NPT

CLASSIFICATION

CLASS I

Division 2

Groups A, B, C, D

Contact your ABB sales representative
to verify classification

CERTIFICATIONS



UL844
UL924

US
LR111065

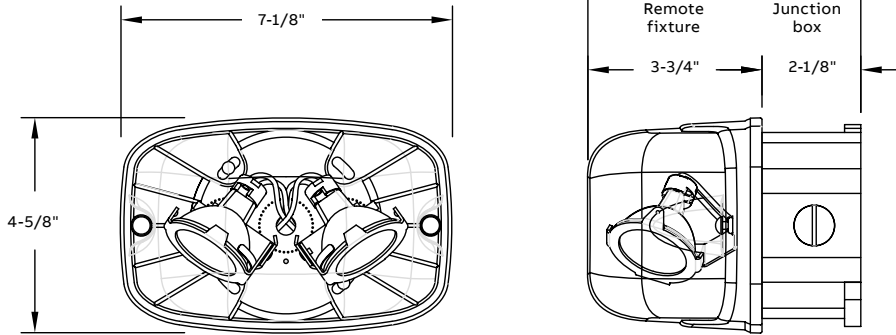
Approval

- CSA-US (to UL 924 standards)
- Evaluated to the UL 844 Standard for Class I Division 2,
Groups A, B, C and D

Warranty

- Five-year limited warranty

Dimensions

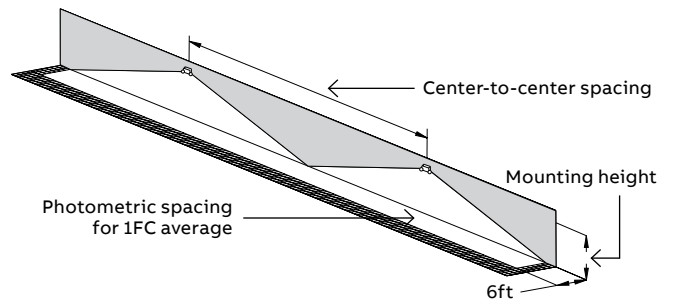


Lamp selection chart and temperature code

Lamp suffix	Voltage	Wattage	Lumens	Replacement #	Temperature code	Max temperature
L1	6	4	200	580.0097-E	T4A	120°C
L7	12	4	220	580.0093-E	T5	100°C
L9	12	5	340	580.0104-E	T4A	120°C
L10	12	6	540	580.0106-E	T4	135°C
L13	24	4	220	580.0098-E	T5	100°C
L26	120	4	230	580.0113-E	T4A	120°C

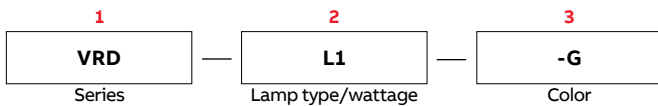
Photometric performance

Lamp	Spacing center-to-center (feet)	
	7' mounting height	15' mounting height
L1	39'	34'
L7	49'	39'
L9	68'	54'
L10	89'	80'
L13	51'	39'



Numbering system

Lighting fixture



Lighting fixture

Part	Part number	Description
1 Series	VR	Single C1D2
	VRD	Double C1D2
2 Lamp type/wattage	L1	6V 4W, MR16 LED
	L7	12V 4W, MR16 LED
	L9	12V 5W, MR16 LED
	L10	12V 6W, MR16 LED
	L13	24V 4W, MR16 LED
	L26	120V 4W, MR16 LED cw wires
3 Color	-G	Gray