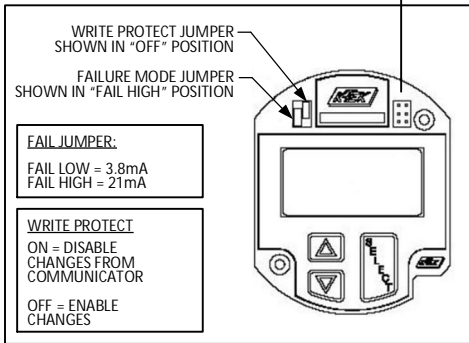
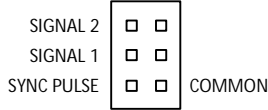
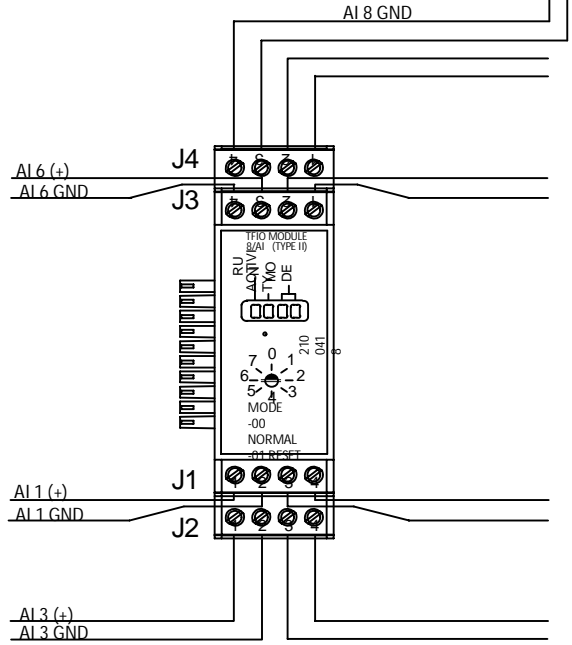
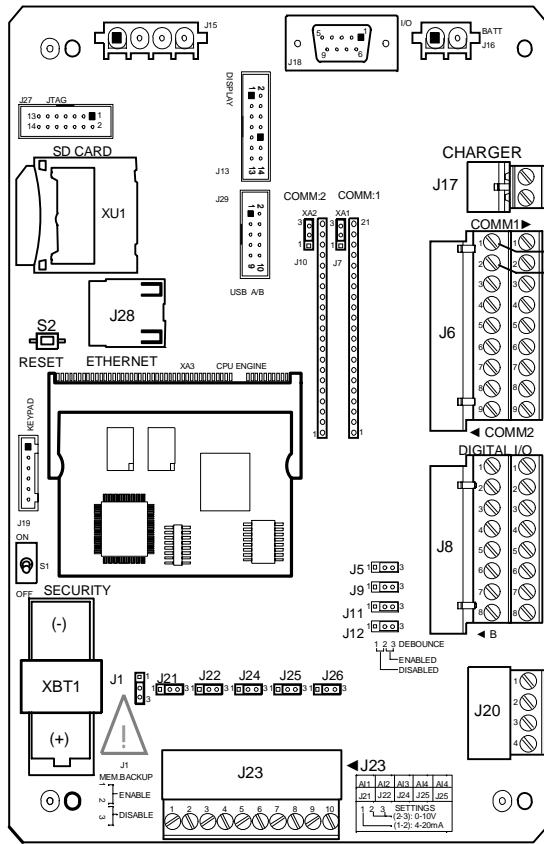
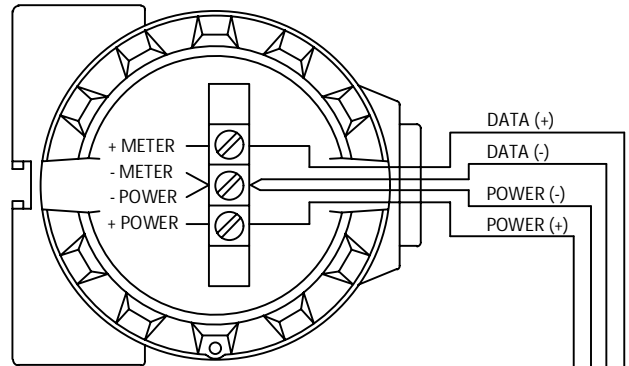
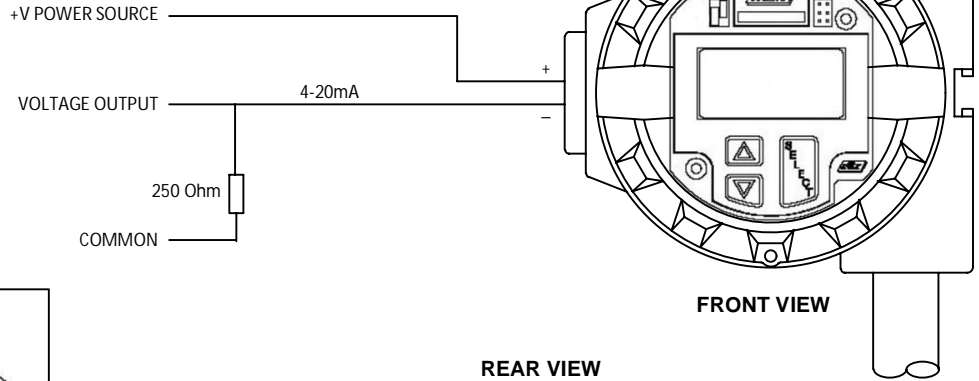


NOTES:

- WARNING:** This drawing does not illustrate the installation methods required for hazardous locations. Prior to any installation in a Classified Hazardous Location, verify installation methods by the Control Drawing referenced on the product's name tag and national and local codes.



TYPICAL LOOP WIRING DIAGRAM



XRC^{G4} (2103329) Board Comm 1 to K-TEK

ABB	TOTALFLOW Products	ACTION	DOC TYPE	TITLE	DWG NO.	REV	SHEET
		L33762	UD	XRC G4 TO K-TEK MT5000 (4-20 ma) USING AI MODULE	2104957	AA	1 OF 1