

Stanilite®

Platinum batten LED weatherproof DALI - 4 foot



Range

Platinum range

Product group

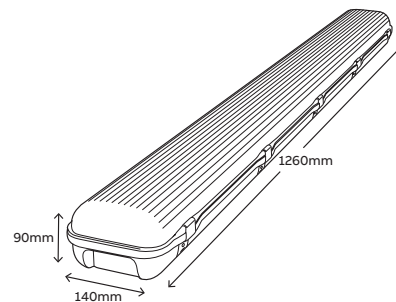
Batten LED



Features

- Typically 3,500 lumens on mains AC operation
- Dimming to 1% via DALI, mains only
- Weatherproof rating IP65
- IK08 impact rating
- Ceiling, wall mount or suspension mounting (wall mount requires optional 45° mounting brackets)
- Long LED life 75,000 hours
- Colour temperature 4,000K
- High colour rendering index CRI>80
- Cadmium free, high temperature NiMH battery
- Mains terminal block accepts up to 2.5mm² cable
- External mounting clips for ease of installation
- Stainless steel diffuser clips
- High efficiency frosted polycarbonate diffuser
- AC efficacy typically 121 lumens/watt
- Ambient operating temperature; AC -20°C to +40°C and emergency +10°C to +40°C
- DALI lighting system

Catalogue no.	Description
DALI products	
PBLWAC35L-DALI	Platinum batten LED weatherproof AC 3500 lumens - DALI on AC
PBLWDA35LM	Platinum batten LED weatherproof DALI 3500 lumens maintained - DALI emergency
Accessories	
21-PCCSBLW	Polycarbonate clips
26-PBMD001	Wall mount bracket pair 45°
PBLWSS316-KIT	SS316 marine grade accessory kit (includes diffuser clips x 10, suspension clips x 2, mounting bracket x 2 and M4 x 8 screws x 2)
Spart parts	
03-01225	Battery NiMH 4.8V 4.5Ah



Dimensions		
Length	Width	Bare height
1260mm	140mm	90mm

Weight	
Model	Weight
DALI AC	2.9kg
DALI EM	3.3kg

Construction	
Part	Construction
Reflector	Powder coated steel
Body and diffuser	Polycarbonate
Clips	Stainless steel

Light source				
Model	Light source			
DALI AC/EM	LED strips			

Power consumption				
Model	Normal	S/A off	Standby	
DALI AC	28W	0W	N/A	
DALI EM	30W	4.0W	N/A	

Note: Preliminary results

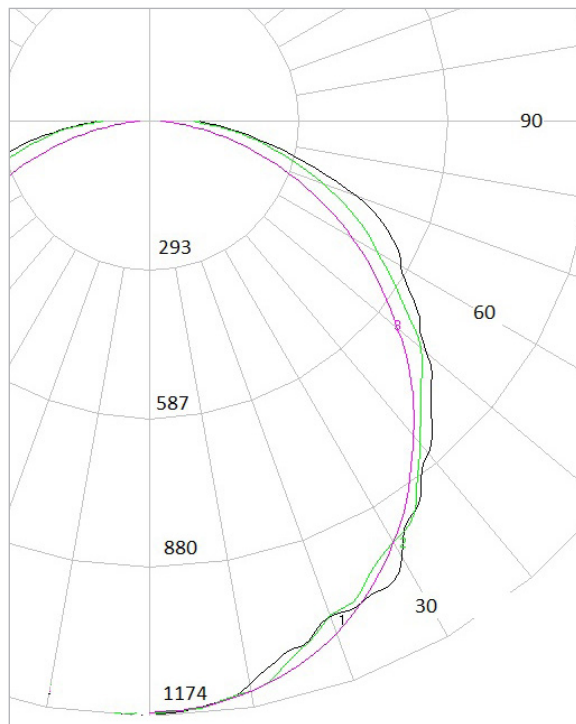
Photometrics			
Model	Class	Classification	
DALI EM	C0	D63	
	C90	D50	

Note: Preliminary results

Note:

- DALI AC designed to comply with AS/NZS60598.2.1 and meet relevant Australian EMC standards
- DALI EM designed to comply with AS2293.3 and meet relevant Australian EMC standards

AC polar diagram



Note on AC/EM polar diagrams:

- Legend C0:1 black, C45.2 green, C90.3 cyan
- Two plane symmetry C0:C90