



DEH41559 INSTALLATION INSTRUCTIONS

Handle Tie, 3Pole

Catalog No: TEYXHT3

DEH41559 Installation Instructions for TEYXHT3 handle tie kits for use on multi-wire branch circuits



WARNING: Hazard of electrical shock or burn. Turn off power supplying the equipment before working inside.

Assembly instructions for TEYXHT3 Kit

1. Ensure that each of the three single pole breakers to be joined with the handle tie are in the "off" position.
2. Place supplied handle tie on all three single pole breaker stacked together as shown in Figure 2.

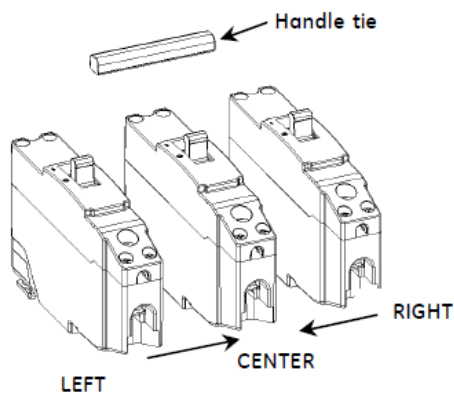


Figure 1.

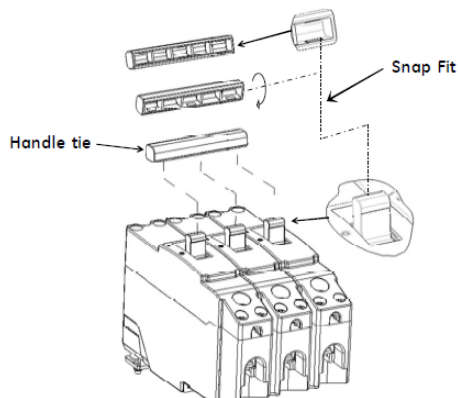


Figure 2.

3. Final assembly will look as shown in Fig 3. If not pre installed in a panel board or enclosure, the breakers can, at this point, be installed.
4. Exercise the handle tie towards ON/OFF operation to ensure that all three circuit breakers (tied together) operate properly. Install dead front and exercise the handle tie once again to ensure all three circuit breaker operate properly.

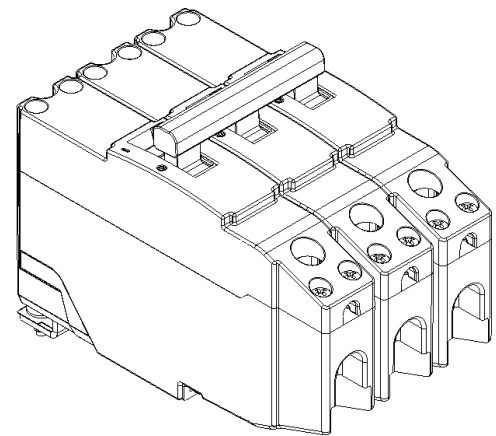


Figure 3.



WARNING: This handle tie is not acceptable for use on 3-phase loads; it is for use on multi-wire branch circuits with shared grounded neutral where a means of common disconnection is required.



WARNING: Handle Tie does not provide a means for common tripping of connected breakers. Only the breaker experiencing an event requiring a trip will open, other connected breakers will remain closed.

These instructions do not purport to cover all details or variations in equipment nor, to provide contingency to be met in connection with installation, operation, or maintenance. Should further information be desired, or should particular problems arise which are not covered sufficiently for the purchaser's purposes, the matter should be referred to ABB Company.