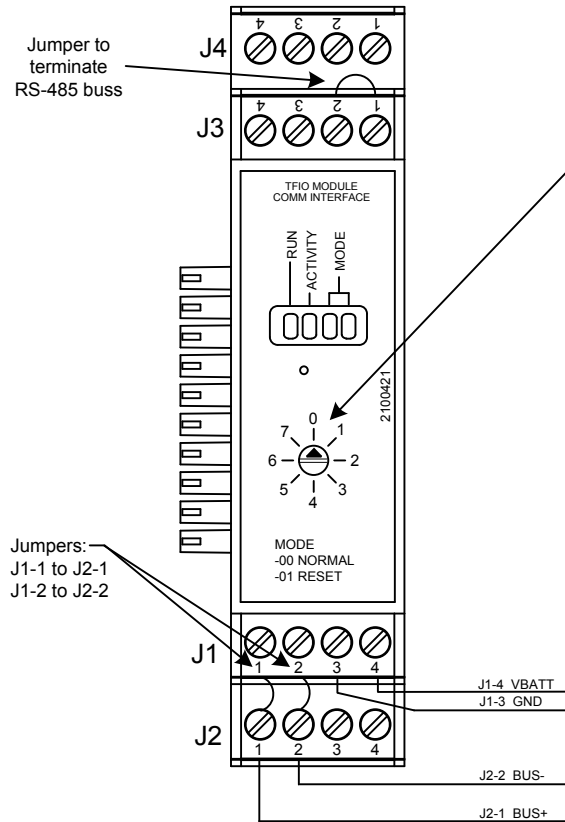


NOTES:

1. WARNING: This drawing does not completely illustrate the installation methods required for hazardous locations. Prior to any installation in a Classified Hazardous Location, verify installation methods by the Control Drawing referenced on the product's name tag and national and local codes.
2. To access the XMV termination board, remove the enclosure rear cover.
3. For RTD installation, remove jumpers from XMV terminals 11-12, 13-14 and the 178Ω resistor from terminals 12-14.
4. The RS-485 buss must be wired in a daisy-chain configuration. Star configurations are not allowed.
5. Maximum accumulated length for the RS-485 buss is 4000 feet.
6. LED Indicators on TFIO:
 - Run LED – Blinking indicates on-board PIC running.
 - Activity LED – Blinking indicates buss activity.
 - Mode LED – 00 = Normal 01 = Reset
7. LED Operation:
 - Register 0.7.7 = 0 – Power Save Mode (LEDs off when MMI disconnected)
 - Register 0.7.7 = 1 – LEDs on all the time.
8. Must have a Communications application instantiated for each COMM Module
9. Removed.



RTD Probe
P/N 2011905

Dip Switch factory default address is set at 0. If another COMM INTERFACE TFIO is added, move that Dip Switch setting to 1. If more are added, use the next address in line for each.

Changing the address applies only to TFIOs of their own type, and not TFIOs of another type; those would also start at 0 and add new address of their own.

TIP: While 0 is recommended for the first one, any address can be used (But keep in mind the original config files in our software are built with this address and factory tests will look for it).

REF: N/A

	TOTALFLOW	ACTION	DOC TYPE	TITLE	DWG NO.	REV	SHEET
	Products	D37655	UD	TFIO COMM INTERFACE MODULE (2100421) RS-485 GENERIC PINOUT	2105859	AB	1 OF 1