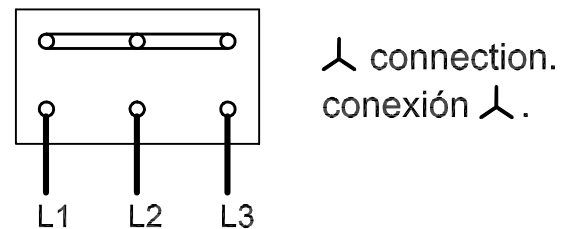
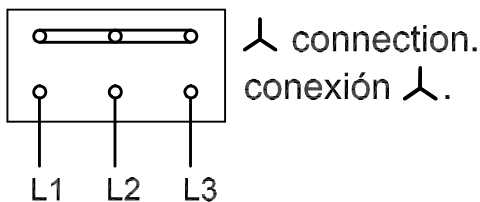
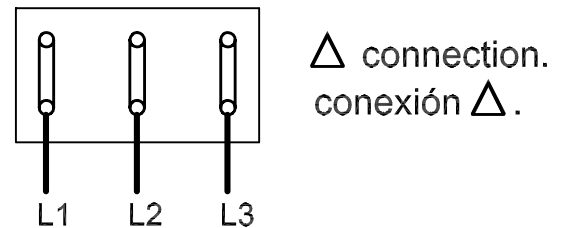
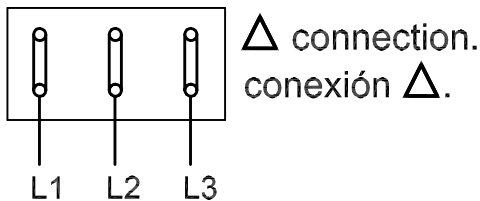
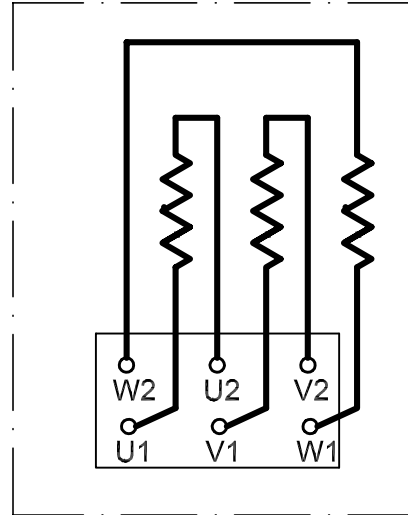
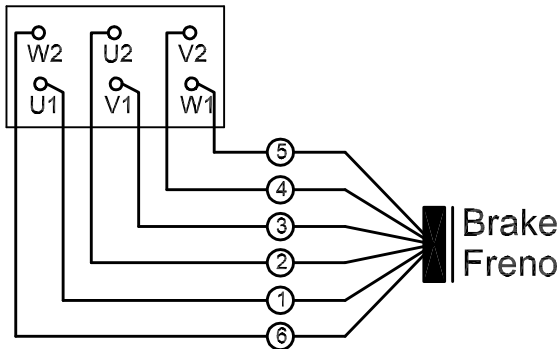


Single speed three-phase motor. Motor trifásico de una velocidad.

SEPARATE BRAKE CONNECTION CONEXIÓN FRENO INDEPENDIENTE

MOTOR CONNECTION CONEXIÓN MOTOR

- 1 - ROJO/RED
- 2 - VERDE/GREEN
- 3 - AMARILLO/YELLOW
- 4 - NEGRO/BLACK
- 5 - MARRON/BROWN
- 6 - AZUL/BLUE



This document must not be copied without our written permission, and the contents thereof must not be imparted to a third party nor be used for any unauthorized purpose. Contravention will be prosecuted.
ABB Automation Products, S.A. Div. Motores (ES) 2001

Sheet	Cont.
Form No.	Year Week
Design checked by	Rev Ind
Dept.	Year Week
Drawn by	Rev Ind

3	Traducción al inglés	IK	03 - 18
2	Actualización a M3ARS	IKA	02 - 07
1	Plano pasado a sistema CAD	PKI	98 27
RevInd	Revision	Appd	Year Week

Accepted by qual control ARTIGAS	Accepted for prod by SANZ	Description(English) CONNECTION DIAGRAM	M3ARS 090-160
Design checked by SOLER	Drawn by CANO	Description(own language) ESQUEMA CONEXIONES	COD. 086
Drawing checked by BLANES	Issued by Year Week MKI 92 50	AC 4340 5015-2	RevInd Sheet 3 1
ABB Automation Products, S.A. División Motores			Cont -