

# Type ACT-633/645 Indoor current transformer

## Product features

- 600 volt, 10 kV BIL, 60 Hz
- Single, dual, and multi ratios
- Indoor, varnish insulated, ratio correction

## Application

The ACT-633/645 indoor auxiliary current transformer is a 600 volt rated unit for use in secondary circuits. This unit is used to change the effective current for operating watt-hour meters, relays, and other control and metering devices and for secondary circuit isolation. Due to superior saturation characteristics, these transformers generally do not saturate under extreme high fault currents.

## Mechanical description

The core is made of grain-oriented silicon steel laminations. Primary and secondary coils are wound type construction from high temperature resistant magnet wire. After assembly, core and coils are impregnated with an insulating varnish to prevent moisture penetration, control vibration, and increase dielectric strength.

The primary and secondary terminals are 10-32 brass washer-head screws for #22-#10 AWG conductors. The 600V/30 A rated terminal block is conveniently located on top of the transformer. For multi-tap units, two terminal blocks or 12" primary/secondary #12 AWG TEFZEL leads may be supplied.

## Accuracy performance

The ACT-633/645 will operate with T800 class accuracy for ratio correction and circuit isolation applications. The transformer is accurate through its rating factor, and can be used continuously to this level.



## Mounting

The ACT-633/645 is designed for mounting in an upright, underhung, or cantilever position using the angled mounting feet.

## Testing

This unit can be tested to all applicable IEEE, CSA, or IEC standards as requested.

## Options

The ACT is available in virtually any combination of ratio and accuracy with a rating factor of up to 1.5. Contact factory for other needs.

## Unit dimensions

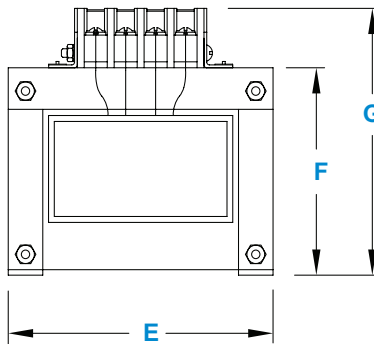
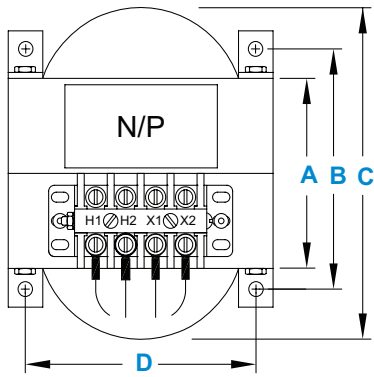
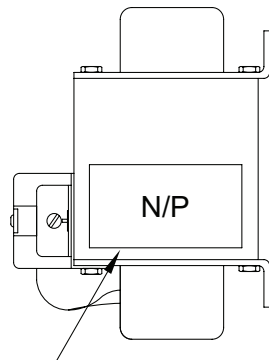


Figure 1



ALTERNATE N/P LOCATION  
WHEN DIM "A" IS LESS  
THAN 3.63 [92].

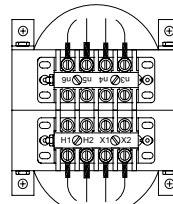


Figure 2

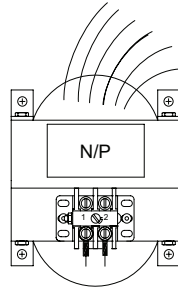
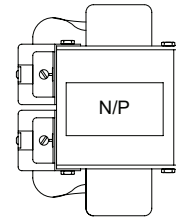
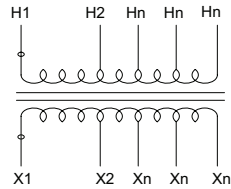
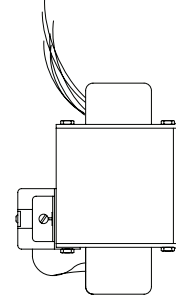


Figure 3



Wiring diagram

Dimensions (in.)	ACT-633	ACT-645
A	Refer to selection tables	Refer to selection tables
B	A + 1.25	A + 2.0
C	Refer to selection tables	Refer to selection tables
D	5.00	6.50
E	5.75	7.50
F	4.38	6.38
G	5.63	7.75

### Notes:

- Dimensions in inches [mm]
- Four mounting legs are 0.13" [3.3] mild steel with Ø0.31 [Ø8] holes

### Electrical:

- Maximum system voltage: 0.66 kV
- Temperature class: 105° C
- Temperature rise: 55° C over 30° C ambient
- Windings are insulated for 2.5 kV/60 Hz isolation.

### Comments:

- Figure 1 is the standard configuration for single ratio units.
- Figures 2 or 3 are sometimes necessary when multiple taps are required. Contact factory for details.

**Selection guide for ACT-633**

Style number	Pri amps	Sec amps	Acc @ 60 Hz	RF	Dim A	Dim C	Wgt (lbs)	Style number	Pri amps	Sec amps	Acc @ 60 Hz	RF	Dim A	Dim C	Wgt (lbs)
A1432700-570	0.2 : 0.15		10P20	1.5	6	8.6	36	A1429900-570	4.35 : 0.2		3%B.5	1.0	2.5	5	17
A1430420-570	0.2 : 0.2		T200	1.5	2.75	5.5	17	A1432700-570	0.2 : 0.15		10P20	1.5	6	8.6	36
A1423125-570	0.2 : 5		T25	1.5	2	4.2	14	A1416520-570	5 : 0.1		T200	1.5	2.5	4.8	16
A1431310-570	0.3 : 0.2		T100	1.5	2	3.7	13	A1433520-570	5 : 0.191		T200	1.5	2.5	4.9	19
A1434370-570	0.5 : 1		75VA	1.5	2.5	4.9	17	A1422210-570	5 : 0.2		T100	1.5	2.5	5	15
A1422120-570	0.5 : 5		T200	1.5	6.5	9	36	A1418120-570	5 : 0.2		T200	1.5	2.5	4.7	19
A1432840-570	0.519 : 0.2		T200	1.5	2.5	5.2	16	A1427910-570	5 : 0.24		T100	1.5	2.5	4.7	17
A1409020-570	0.833 : 5		T200	1.5	6.5	9.3	43	A1423820-570	5 : 0.25		T200	1.5	2	4.7	12
A1432920-570	1 : 0.2		T200	2.0	2.5	4.5	16	A1433240-570	5 : 0.25/0.5/ 0.75/1/1.5		T400	1.5	6	8.05	35
A1400105-570	1 : 1		T100	1.5	4	6.6	25	A1430120-570	5 : 0.333		T200	1.5	2.5	4.8	20
A1418420-570	1 : 1		T200	1.5	6	8.7	26	A1429620-570	5 : 0.375		T200	1.5	3.5	5.7	21
A1432830-570	1 : 1.125		T200	1.5	5	7.2	30	A1410210-570	5 : 0.5		T100	1.5	2.5	4.8	18
A1431210-570	1 : 1.597		T20	1.5	2	4.5	15	A1411210-570	5 : 0.5		T100	1.5	2.5	4.8	18
A1432600-570	1 : 2		1%B0.5	1.5	2	4.5	15	A1430910-570	5 : 0.5		T100	1.5	6	19	19
A1420720-570	1 : 2		T200	1.5	4.5	7.1	24	A1416620-570	5 : 0.5		T200	1.5	6	8.4	37
A1423005-570	1 : 2		T50	1.5	2.63	4.7	13	A1433140-570	5 : 0.75		T400	1.5	3.5	6.23	23
A1421405-570	1 : 3		T50	1.5	2.63	5.1	15	A1424710-570	5 : 0.833		T100	1.5	3	5.4	17
A1431720-570	1 : 4		T200	1.5	5	7.8	32	A1421820-570	5 : 0.833		T200	1.5	3	5.5	18
A1422710-570	1 : 5		T100	1.5	4.5	7	28	A1434007-570	5 : 1	±0.5%- 20VA	1.5	2.5	4.9	17	
A1433010-570	1 : 5		T100	1.5	6	8.7	37	A1400710-570	5 : 1		T100	1.5	4	5.9	23
A1425215-570	1 : 5		T150	1.5	6	8.3	37	A1401320-570	5 : 1		T200	1.5	4	6.5	26
A1427820-570	1 : 6		T200	1.5	6	8.8	38	A1418605-570	5 : 1		T50	1.5	2	4.3	18
A1430005-570	1 : 6		T50	1.5	3	5.7	20	A1428320-570	5 : 1/1.5/2		T200	1.5	5	7.5	31
A1409110-570	1.25 : 5		T100	1.5	5	7.8	27	A1421705-570	5 : 1/2		T50	1.5	2.75	5.1	18
A1428905-570	1.25 : 5		T50	1.5	2.75	5.2	20	A1406420-570	5 : 1.16/1.875		T200	1.5	5	7.4	28
A1425510-570	1.33 : 5		T100	1.5	4.5	7.2	29	A1429320-570	5 : 1.2		T200	1.5	4	6.6	26
A1402610-570	1.45 : 5		T100	1.5	4	6.7	29	A1426320-570	5 : 1.25		T200	1.5	4	6.5	26
A1432843-570	1.5 : 5		T200	1.5	6	8.8	37	A1429820-570	5 : 1.33		T200	1.5	4	6.3	24
A1426810-570	1.55 : 5		T100	1.5	4	6.6	27	A1401710-570	5 : 1.46		T100	1.5	4	6.2	22
A1402710-570	1.667 : 5		T100	1.5	4	6.7	26	A1433720-570	5 : 1.5		T200	1.5	4	6.31	25
A1429220-570	1.74 : 1		T200	1.5	6	8.1	34	A1406720-570	5 : 1.5/2/2.5		T200	1.5	5	7.6	29
A1432303-570	1.85 : 0.593		T30	1.0	2	4.1	14	A1408520-570	5 : 1.667		T200	1.5	4	6.7	6.7
A1420020-570	2 : 1		T200	1.5	4	6	25	A1401920-570	5 : 1.72		T200	1.5	4	6.7	26
A1431020-570	2 : 3		T200	1.0	6	8.7	38	A1402010-570	5 : 1.872		T100	1.5	4	6.4	27
A1426510-570	2 : 5		T100	1.5	5	7.7	32	A1419320-570	5 : 1.875		T200	1.5	4	6.7	29
A1432820-570	2 : 5		T200	1.5	6	8.7	37	A1411320-570	5 : 1.92/2.5		T200	1.5	5	7.6	28
A1426205-570	2 : 12		T50	1.5	5.5	8.1	34	A1406920-570	5 : 1.92/2.5/ 3.125		T200	1.5	5	7.9	29
A1428520-570	2.38/2.5/2.61 : 5		T200	1.5	6	8.7	38	A1409620-570	5 : 2		T200	1.5	4	6.6	21
A1420920-570	2.5 : 5		T200	1.5	6	8.8	37	A1422940-570	5 : 2		T400	1.5	5	7.6	30
A1430815-570	2.67 : 5		T150	1.5	5	7.8	24	A1406510-570	5 : 2/2.5		T100	1.5	5	7.2	27
A1422020-570	2.67 : 5		T200	1.5	5	7.8	32	A1405820-570	5 : 2/2.5		T200	1.5	5	7.6	30
A1406120-570	2.85 : 5		T200	1.5	4.5	7.3	26	A1407020-570	5 : 2/2.67/3.33		T200	1.5	5	7.6	28
A1432510-570	2.85/11.2 : 5		T100	1.0	4	6.3	25	A1402520-570	5 : 2/3/3.75		T200	1.5	4	6.7	30
A1419720-570	3 : 1		T200	1.5	6	8.1	31	A1433820-570	5 : 2.5	2.5T200	1.5	5	7.5	31	
A1411520-570	3 : 4		T200	1.5	5	7.7	27	A1402220-570	5 : 2.5		T200	1.5	4	6.7	26
A1411720-570	3 : 5		T200	1.5	5	7.9	27	A1402320-570	5 : 2.5/3/5		T200	1.5	4	6.7	25
A1432841-570	3.3 : 5		T200	1.5	5	7.8	34	A1415020-570	5 : 2.5/5		T200	1.5	5	7.6	34
A1429120-570	3.5 : 1		T200	1.5	6	8.1	34	A1405920-570	5 : 2.88		T200	1.5	4.5	7.2	25
A1401220-570	3.75 : 0.2		T200	1.5	4	6.9	27	A1406020-570	5 : 2.89		T200	1.5	4.5	7.2	30
A1411820-570	3.75 : 5		T200	1.5	5	7.8	28	A1408020-570	5 : 2.89		T200	1.5	4	6.6	29
A1419220-570	4 : 0.2		T200	1.5	3	4.9	22	A1406820-570	5 : 3		T200	1.5	5	7.8	28
A1419920-570	4 : 0.2		T200	1.5	3	4.9	20	A1402420-570	5 : 3.33		T200	1.5	4	6.8	26
A1425220-570	4 : 1		T200	1.5	3	5.4	20								
A1430610-570	4 : 2		T100	1.5	3	5.4	17								
A1407320-570	4 : 5		T200	1.5	5	8	32								

**Selection guide for ACT-633 (cont.)**

Style number	Pri amps	Sec amps	Acc @ 60 Hz	RF	Dim A	Dim C	Wgt (lbs)
A1407120-570	5 : 3.45		T200	1.5	5	7.6	27
A1429720-570	5 : 3.75		T200	1.5	5	31	31
A1432420-570	5 : 4		T200	1.5	4.5	7.1	29
A1411620-570	5 : 4.167		T200	1.5	5	7.7	28
A1432110-570	5 : 4.44		T100	1.5	3	5.7	21
A1402810-570	5 : 5		T100	1.5	4	6.6	32
A1406220-570	5 : 5		T200	1.5	6	8.7	39
A1416220-570	5 : 5		T200	1.5	Use A1406220-570		
A1410405-570	5 : 5		T50	1.5	2.5	5	19
A1425305-570	5 : 5		T50	1.5	2.5	5.2	18
A1429610-570	5 & 5 : 5		T100	1.5	4	6.5	29
A1415520-570	5 : 6		T200	1.5	6	8.8	37
A1431205-570	5 : 6.14		T50	1.5	2.5	4.9	20
A1419805-570	5 : 6.25		T50	1.5	2.5	4.9	19
A1425020-570	5 : 7.14		T200	1.5	6	8.8	38
A1410310-570	5 : 7.5		T100	1.5	4	6.6	17
A1422620-570	5 : 7.5		T200	1.5	6	8.7	35
A1419905-570	5 : 7.5		T50	1.5	2.5	5.1	18
A1427410-570	5 : 8		T100	1.5	5	7.7	32
A1412610-570	5 : 8.33		T100	1.5	4	6.9	23
A1423420-570	5 : 8.33		T200	1.0	6	8.8	35
A1405210-570	5 : 10		T100	1.5	6	8.7	34
A1412720-570	5 : 10		T200	1.5	6	8.8	40
A1400605-570	5 : 10		T50	1.5	2.5	5	18
A1421505-570	5 : 12		T50	1.5	2.63	5.4	16
A1428710-570	5 : 12.5		T100	1.5	5	7.7	31
A1429420-570	5 : 12.5		T200	1.5	6.5	9.2	34
A1421610-570	5 : 15		T100	1.5	6	8.6	34
A1427500-570	5 : 15		T100	1.5	6	8.6	37
A1423720-570	5 : 15		T200	1.0	6	9	38
A1431405-570	5 : 15		T50	1.2	3.5	5.4	23
A1405620-570	5 : 17/37		T100	0.7	6	8.7	33
A1411120-570	5/12 : 5		T200	1.5	5	7.9	35
A1432208-570	5.2 : 2.8		T80	1.0	4	6.4	24
A1432844-570	5.435 : 0.2		T200	1.5	6	8.2	34
A1433310-570	5.7 : 5		T100	1.5	4	6.6	32
A1427110-570	5.83 : 5		T100	1.5	2.5	5.4	16
A1430520-570	5.88 : 5		T200	1.5	4.5	7.4	27
A1431220-570	6 : 1		T100	1.5	2	4.2	14
A1431820-570	6 : 1		T200	1.0	6	8.8	37
A1432842-570	6 : 1		T200	1.5	3	5.1	19
A1426920-570	6 : 4		T200	1.5	5	7.8	32
A1430310-570	6 : 5		T100	1.5	4	6.8	26
A1407420-570	6 : 5		T200	1.5	5	7.8	26
A1410505-570	6 : 5		T50	1.5	2.5	4.9	17
A1428010-570	6.25 : 5		T100	1.5	5	7.4	31
A1410605-570	6.25 : 5		T50	1.5	2.5	5.1	19
A1412020-570	6.5 : 5		T200	1.5	6	8.7	30
A1407520-570	6.66 : 5		T200	1.5	5	7.8	27
A1410705-570	6.66 : 5		T50	1.5	2.5	4.9	18
A1427310-570	6.667 : 5		T100	1.5	4	6.7	27
A1417220-570	6.67 : 5		T200	1.5	5	7.8	31
A1403210-570	6.7 : 5		T100	1.5	4	6.7	23
A1407620-570	6.7 : 5		T200	1.5	5	7.8	28

Style number	Pri amps	Sec amps	Acc @ 60 Hz	RF	Dim A	Dim C	Wgt (lbs)
A1410805-570	7 : 5		T50	1.5	2.5	4.9	18
A1403310-570	7.25 : 5		T100	1.5	4	6.6	25
A1424410-570	7.25 : 5		T100	1.5	4	6.6	23
A1403410-570	7.5 : 5		T100	1.5	4	6.5	25
A1414020-570	7.5 : 5		T200	1.5	4	7.8	23
A1400810-570	8 : 1		T100	1.5	3	4.9	19
A1418020-570	8 : 1		T200	1.5	4	6.3	27
A1421205-570	8 : 4		T50	1.5	2.5	5.1	18
A1403510-570	8 : 5		T100	1.5	4	6.7	26
A1425620-570	8 : 5		T200	1.5	5	7.7	32
A1412520-570	8 : 6		T200	1.5	5	7.8	26
A1405310-570	8 : 10		T100	1.5	4	6.8	23
A1407720-570	8.33 : 5		T200	1.5	5	7.8	27
A1409910-570	8.333 : 5		T100	1.5	4	6.6	23
A1423210-570	8.6 : 0.2		T100	1.5	2.5	4.4	13
A1403710-570	8.65 : 5		T100	1.5	4	6.6	26
A1419300-570	8.66 : 0.1875 & 5	0.3B0.1	1.5	4	5.9	23	
A1419420-570	8.66 : 5		T200	1.5	5	7.8	28
A1400405-570	8.66 : 5		T50	1.5	2.5	4.8	16
A1407820-570	8.9 : 5		T200	1.5	5	7.8	26
A1430220-570	9 : 5		T200	1.5	5	7.8	29
A1403810-570	9.09 : 5		T100	1.5	4	6.6	26
A1424320-570	9.09 : 5		T200	1.5	5	7.8	29
A1427720-570	9.6 : 5		T200	1.5	6	8.7	38
A1400910-570	10 : 1		T100	1.5	3	5.4	21
A1426720-570	10 : 1		T200	1.5	5	7.5	31
A1433940-570	10 : 1.5		T400	1.5	6	8.4	36
A1409810-570	10 : 3		T100	1.5	4	6.4	24
A1418800-570	10 : 5	0.3B0.5	1.0	4	6.7	27	
A1403910-570	10 : 5		T100	1.5	4	6.6	26
A1431610-570	10 : 5		T100	1.5	Use A1403910-570		
A1407920-570	10 : 5		T200	1.5	5	7.7	32
A1428420-570	10 : 5/8.33		T200	1.5	6	8.5	37
A1405110-570	10 : 6		T100	1.5	4	6.6	24
A1408120-570	10 : 6		T200	1.5	5	7.7	26
A1424110-570	10 : 10		T100	1.5	3.5	6.4	21
A1408820-570	10 : 10		T200	1.5	6	9	31
A1408910-570	10 : 15		T100	1.5	6	8.7	31
A1433770-570	10/17.32 : 0.2	±5% 5VA	1	3	5.35	20	
A1434005-570	10/20 : 5		T50	1.5	2.5	5.5	18
A1431120-570	10.5 : 3		T200	1.5	6	8.4	37
A1431520-570	10.5 : 3		T200	1.5	3	5.8	21
A1426410-570	10.5 : 5		T100	1.5	4	7.4	30
A1408420-570	10.5 : 5		T200	1.5	6	8.6	31
A1410910-570	10.9 : 5		T100	1.5	2.5	5.2	15
A1424620-570	10.9 : 5		T200	1.5	3.5	6.3	21
A1410010-570	11.6 : 5		T100	1.5	4	6.5	23
A1418920-570	12 : 1		T200	1.5	4	6.4	24
A1426110-570	12 : 5	2.5T100	1.5	5	7.4	31	
A1404010-570	12 : 5		T100	1.0	4	6.4	24
A1404110-570	12.5 : 5		T100	1.5	4	6.3	25
A1412120-570	12.5 : 5		T200	1.5	6	8.6	32
A1422510-570	13.33 : 1		T100	1.5	3.5	6	20
A1424210-570	13.33 : 5		T100	1.5	4	6.6	23
A1425120-570	13.33 : 5		T200	1.5	5	7.7	32
A1412210-570	14 : 5		T100	1.5	5	7.4	28

## Selection guide for ACT-633 (cont.)

Style number	Pri amps	Sec amps	Acc @ 60 Hz	RF	Dim A	Dim C	Wgt (lbs)
A1408720-570	20	: 5	T200	1.0	6	8.7	37
A1434520-570	20	: 5	T200	1	5	7.8	28
A1408220-570	20	: 6	T200	1.0	6	8.7	25
A1426620-570	22.8	: 5	T200	1.0	6	8.7	36
A1423520-570	24	: 1	T200	1.0	4	6.3	25
A1430710-570	24	: 5	T100	1.0	4.5	7.2	28
A1409720-570	25	: 2.5	T200	1.0	4	6.4	22
A1434220-570	25	: 5	2.5H100	1	6	8.5	37
A1404610-570	25	: 5	T100	1.0	4	6.7	27
A1418520-570	25	: 5	T200	1.0	6	8.6	25
A1427205-570	25	: 5	T50	1.0	3	5.4	19
A1429510-570	26	: 5	T100	1	4	6.6	27
A1423610-570	26.67	: 5	T100	1.0	4	6.6	27
A1417620-570	30	: 1	T200	0.8	4	6.4	29
A1427010-570	30	: 2.5	T100	0.8	4	6.3	24
A1425920-570	30	: 2.5	T200	0.8	5.5	8	33
A1404710-570	30	: 5	T100	1.0	4	6.6	17
A1412320-570	30	: 5	T200	1.0	6	8.7	32
A1433620-570	30	: 10	T100	1	4	6.9	27
A1404810-570	35	: 5	T100	1.0	4	6.6	23
A1404810-570	35	: 5	T100	1.0	4	6.6	23
A1421320-570	35	: 5	T200	1.0	6	8.9	38
A1424820-570	35	: 5	T200	1.0	6	8.7	37
A1404910-570	37.5	: 5	T100	0.7	4	6.6	23
A1404910-570	37.5	: 5	T100	0.7	4	6.6	23
A1422820-570	37.5	: 5	T200	1.0	6	8.7	38
A1401620-570	40	: 1	T200	1.0	4	6.5	27
A1423920-570	40	: 1	T200	1.0	4	6.1	25
A1428220-570	40	: 2.5	T200	1.0	6	8.6	35
A1405010-570	40	: 5	T100	1.0	4	6.8	28
A1415010-570	40	: 5	T100	1.0	4	6.5	26
A1419520-570	40	: 5	T200	1.0	6	8.7	38
A1422320-570	45	: 1	T200	1.0	4	6.5	28
A1420120-570	48	: 1	T200	1.0	2.5	5.1	19
A1409320-570	50	: 1	T200	1.0	4	6.5	28
A1409420-570	50	: 1.33	T200	1.0	4	6.6	27
A1425720-570	50	: 1.33	T200	1.0	6	9.5	35
A1422420-570	50	: 3	T200	1.0	4	6.8	28
A1427610-570	50	: 5	T100	1.0	5	7.7	30
A1417720-570	50	: 5	T200	1.0	6	8.7	37
A1420220-570	53	: 3	T200	1.0	2.5	5.7	20
A1420820-570	54	: 1	T200	1.0	4	6.6	27
A1417810-570	60	: 5	T100	1.0	6	8.7	40
A1421020-570	60	: 5	T200	1.0	6	8.6	39
A1420310-570	66.67	: 5	T100	1.0	4	6.4	28
A1421110-570	66.67	: 5	T100	1.0	4	7.2	26
A1420320-570	66.67	: 5	T200	1.0	6	8.5	38
A1410110-570	70	: 5	T100	1.0	2.5	5.3	19
A1433020-570	80	: 1	T200	1	3	5.3	21
A1428120-570	80	: 2.5	T200	1	6	8.4	34
A1433120-570	80	: 5	T200	1	6	8.4	34
A1423320-570	90	: 5	T200**	1	5	7.6	31
A1421910-570	100	: 5	T100	1	4.63	7.1	32
A1406320-570	100	: 5	T200	1	6	8.7	38
A1416225-570	150	: 5	T250	1	6	8.8	39

Selection guide for ACT-645

Style number	Pri amps	Sec amps	Acc @ 60 Hz	RF	Dim A	Dim C	Wgt (lbs)	Style number	Pri amps	Sec amps	Acc @ 60 Hz	RF	Dim A	Dim C	Wgt (lbs)
A1514520-570	0.174	: 0.2	T200	1.5	2.50	5.30	28	A1514840-570	5	: 8.696	T400	1.0	6.00	8.90	71
A1500440-570	0.5	: 0.5	T400	1.5	4.00	7.00	47	A1509030-570	5	: 10	T300	1.5	6.00	9.50	72
A1509620-570	0.5	: 5	T200	1.5	6.00	9.10	70	A1508840-570	5	: 10	T400	1.5	6.00	9.50	72
A1507310-570	0.5	: 10	T100	1.5	4.00	7.50	50	A1503120-570	5	: 12.5	T200	1.5	6.00	9.20	71
A1511910-570	0.58	: 5	T100	1.5	5.00	8.00	58	A1513840-570	5	: 12.5	T400	1.2	6.00	9.80	75
A1513920-570	0.75	: 5	T200	1.5	5.00	8.00	59	A1508920-570	5	: 15	T200	1.5	6.00	9.10	70
A1506640-570	1	: 1.5	T400	1.5	4.00	7.10	48	A1514241-570	5	: 17/37	T100	1.0	6.00	9.20	69
A1506320-570	1	: 5	T200	1.5	4.00	7.50	50	A1502710-570	5	: 20	T100	1.0	5.00	8.40	61
A1512360-570	1	: 5	T600	1.5	6.00	9.60	73	A1507510-570	5	: 20	T100	1.5	5.00	8.20	56
A1507610-570	1	: 10	T100	1.5	4.00	7.20	49	A1502720-570	5	: 20	T200	1.5	6.00	9.90	75
A1508510-570	1	: 10	T100	1.5	5.00	8.20	59	A1509420-570	5	: 25	T200	1.0	6.00	9.60	72
A1514020-570	1	: 10	T200	1.5	4.00	7.50	51	A1508315-570	5	: 33.3	T100	1.0	6.00	8.80	70
A1507805-570	1	: 20	T50	1.2	3.00	6.00	37	A1508310-570	5	: 37.5	T100	1.0	6.00	9.90	78
A1502360-570	1.25	: 5	T600	1.5	6.00	9.70	71	A1507210-570	5	: 40	T100	0.6	6.00	9.40	70
A1512640-570	1.875	: 5	T400	1.5	6.00	9.20	71	A1508410-570	5	: 50	T100	0.5	6.00	9.70	76
A1500920-570	2.36	: 1	T200	1.5	4.00	6.60	49	A1510405-570	5	: 60	T50	1.0	6.00	9.60	75
A1500520-570	2.38/2.5/2.61	: 5	T200	1.5	4.00	7.10	48	A1512200-570	5.45	: 5	10VA	1.5	2.63	5.80	34
A1502460-570	2.5	: 5	T600	1.5	6.00	9.30	70	A1510520-570	5.55	: 5	T200	1.5	3.50	6.60	43
A1513140-570	2.92	: 0.2	T400	1.0	3.00	5.60	35	A1507140-570	6	: 2	T400	1.5	4.00	7.20	49
A1516040-570	3	: 2	T400	1.5	4.00	6.50	48	A1506740-570	6	: 4	T400	1.5	4.63	7.90	56
A1511640-570	3	: 4	T400	1.5	5.00	8.00	59	A1501940-570	6	: 5	T400	1.5	4.63	7.90	57
A1504010-570	3	: 5	T100	1.5	2.50	5.70	33	A1510820-570	6	: 20	T200	1.2	6.00	9.40	73
A15091005-570	3	: 30	T50	1.0	6.00	9.60	77	A1504540-570	6.25	: 5	T400	1.5	6.00	9.10	70
A1512540-570	3.375	: 5	T400	1.5	6.00	8.30	71	A1502860-570	6.67	: 5	T600	1.5	6.00	9.20	71
A1502520-570	3.75	: 5	T200	1.5	5.00	8.50	62	A1514180-570	6.67	: 5	T800	1.5	6.00	9.70	74
A1514740-570	3.75	: 5	T400	1.5	6.00	8.70	71	A1513770-570	7.5	: 5	0.3B0.5	1.5	4.00	6.80	46
A1509740-570	4	: 1	T400	1.5	3.00	6.40	36	A1504640-570	7.5	: 5	T400	1.5	5.00	8.20	60
A1507640-570	4	: 5	T400	1.5	6.00	9.20	70	A1502020-570	8	: 5	T200	1.5	4.63	7.30	52
A1501520-570	4.33/4.54/12	: 5	T200	1.5	5.50	7.70	49	A1502040-570	8	: 5	T400	1.5	4.63	7.90	56
A1513240-570	4.5	: 5	T400	1.5	5.25	8.60	57	A1501730-570	8.33	: 5	T300	1.0	4.50	7.70	49
A1500840-570	5	: 0.5	T400	1.5	4.00	6.50	47	A1504740-570	8.33	: 5	T400	1.5	4.63	7.90	56
A1501020-570	5	: 1	T200	1.5	4.00	6.70	46	A1505460-570	8.33	: 5	T600	1.5	6.00	9.60	73
A1509840-570	5	: 1	T400	1.5	2.50	5.40	31	A1503540-570	9.375	: 5	T400	1.5	5.00	8.40	61
A1504340-570	5	: 1.25	T400	1.5	4.00	7.20	47	A1509540-570	10	: 1	T400	1.5	5.00	7.70	56
A1510940-570	5	: 1.5	T400	1.5	4.00	6.90	47	A1500620-570	10	: 5	T200	1.5	5.00	8.00	58
A1518040-570	5	: 2	T400	1.5	4.00	6.70	49	A1511820-570	10	: 5	T200	1.5	6.00	8.80	67
A1514980-570	5	: 2	T800	1.5	6.00	8.90	68	A1509940-570	10	: 5	T400	1.5	5.00	8.10	59
A1500540-570	5	: 2.5	T400	1.5	4.00	7.40	49	A1503260-570	10	: 5	T600	1.5	5.00	8.50	62
A1508040-570	5	: 3	T400	1.5	5.00	8.10	59	A1512180-570	10	: 5	T800	1.0	6.00	9.30	71
A1508240-570	5	: 3.33	T400	1.5	5.00	8.20	60	A1510640-570	10/20	: 5	T200/	1.2	5.00	8.20	62
A1513040-570	5	: 3.75	T400	1.5	4.50	7.70	3				T400				
A1501620-570	5	: 4.66/5.11/ 5.33/5.89	T200	1.5	4.50	8.00	49	A1510340-570	10/20	: 5	T400	1.2	4.50	7.90	50
A1500120-570	5	: 5	T200	1.5	2.50	5.90	34	A1506420-570	10/25	: 5	T200	1.0	3.50	6.50	43
A1511700-570	5	: 5	T200	1.5	6.00	9.10	68	A1510220-570	10	: 6	T200	1.5	2.50	5.40	32
A1501840-570	5	: 5	T400	1.5	4.63	8.10	57	A1503460-570	10	: 6	T600	1.5	6.00	9.30	72
A1512080-570	5	: 5	T800	1.0	6.00	9.50	72	A1514620-570	10	: 8	T200	1.5	3.00	5.80	39
A1517080-570	5	: 5	T800	1.3	6.00	8.75	71	A1513640-570	10	: 8	T400	1.0	6.00	9.30	71
A1508770-570	5/15/50/150	: 5	1.2B0.1	1.0	4.00	7.20	52	A1514420-570	10	: 15	T200	1.0	4.00	7.00	52
A1510040-570	5	: 6	T400	1.5	6.00	9.20	70	A1510720-570	10	: 16.67	T200	1.0	6.00	9.00	70
A1508140-570	5	: 7.5	T400	1.5	6.00	9.20	71	A1508610-570	10/20	: 10	T100	1.0	6.00	9.30	67
A1503020-570	5	: 8	T200	1.5	4.63	7.90	56	A1506510-570	10	: 25	T100	1.0	4.00	7.40	50
A1506540-570	5	: 8	T400	1.5	6.00	9.30	72	A1511140-570	11	: 6	T400	1.0	6.00	8.90	68
A1501420-570	5	: 8.33	T200	1.5	4.50	7.70	49	A1512440-570	11	: 10	T400	1.0	6.00	9.60	73
A1512740-570	5	: 8.33	T400	1.0	6.00	8.60	70	A1516320-570	11.1	: 5	T200	1.5	3.00	5.80	38
								A1516440-570	11.1	: 5	T400	1.5	5.00	8.00	60

Selection guide for ACT-645 (cont'd)

Style number	Pri amps	Sec amps	Acc @ 60 Hz	RF	Dim A	Dim C	Wgt (lbs)
A1513440-570	12	: 1	T400	1.0	5.25	9.00	56
A1506840-570	12	: 2	T400	1.5	4.63	7.50	53
A1502640-570	12.5	: 1	T400	1.5	5.00	7.90	57
A1503340-570	12.5	: 5	T400	1.5	5.00	8.20	60
A1514240-570	13.33	: 5	T400	1.0	5.00	7.90	58
A1506140-570	15	: 5	T400	1.5	4.00	7.20	50
A1502880-570	15	: 5	T800	1.5	6.50	9.80	69
A1502980-570	15	: 5	T800	1.5	6.50	9.80	69
A1506960-570	15	: 10	T600	1.5	6.00	9.50	73
A1512840-570	15	: 11	T400	1.0	6.00	9.50	73
A1516120-570	15.4	: 5	T200	1.5	3.50	6.00	42
A1516240-570	15.4	: 5	T400	1.5	5.00	7.80	60
A1504840-570	15.6	: 5	T400	1.5	4.63	8.00	56
A1511280-570	16.6	: 5	T800	1.0	6.50	9.80	69
A1511040-570	16.7	: 5	T400	1.5	5.00	8.30	60
A1517540-570	18.75	: 5	T400	1.5	4.00	7.00	65
A1516540-570	19.2	: 5	T400	1.0	5.00	7.90	59
A1513540-570	20	: 1	T400	1.2	4.00	6.90	47
A1504420-570	20	: 5	T200	1.5	4.00	7.50	52
A1506240-570	20	: 5	T400	1.5	4.00	7.40	50
A1504960-570	20	: 5	T600	1.2	5.00	8.40	61
A1512940-570	20	: 6	T400	1.0	6.00	8.80	67
A1514320-570	20	: 10	T200	1.5	6.00	9.50	75
A1504220-570	25	: 1	T200	1.0	4.00	6.80	48
A1507720-570	25	: 5	T200	1.0	3.50	6.30	41
A1505040-570	25	: 5	T400	1.0	5.50	8.30	59
A1503640-570	25	: 10	T400	1.0	6.00	9.40	71
A1511540-570	30	: 1	T400	0.8	4.50	7.20	49
A1501120-570	35	: 1	T200	0.6	4.00	6.70	46
A1507620-570	35	: 5	T200	1.0	3.00	6.90	43
A1509340-570	35	: 5	T400	0.7	4.00	7.70	54
A1501220-570	45	: 1	T200	1.0	4.00	6.90	47
A1507020-570	50	: 3	T200	1.0	2.50	5.90	33
A1510110-570	50	: 5	T100	1.0	2.50	5.50	33
A1503720-570	50	: 5	T200	1.0	2.50	6.20	35
A1515040-570	50	: 5	T400	1.2	6.00	8.60	71
A1511360-570	50	: 5	T600	1.0	6.00	9.70	76
A1514910-570	50	: 10	T100	1.0	3.00	5.80	39
A1500710-570	100	: 5	T100	1.0	4.00	6.90	46
A1516980-570	100	: 5	T800	1.0	6.50	9.40	70
A1516880-570	100	: 7.5	T800	1.0	6.00	9.50	70
A1505320-570	125	: 5	T200	1.0	4.63	7.90	58
A1505610-570	150	: 5	T100	1.0	2.50	6.50	36
A1513320-570	150	: 5	T200	1.5	4.25	8.20	48
A1500210-570	175	: 5	T100	1.0	2.50	5.60	33
A1502120-570	175	: 5	T200	1.0	4.63	7.80	56
A1504110-570	182	: 5	T100	1.0	2.50	5.40	32
A1507110-570	182	: 5	T100	1.0	2.50	5.40	32
A1500310-570	200	: 5	T100	1.0	2.50	5.60	34
A1502210-570	250	: 5	T100	1.0	4.63	7.50	52
A1502220-570	250	: 5	T200	1.0	4.63	7.80	54
A1503910-570	300	: 5	T100	1.0	2.50	5.70	34
A1507920-570	320	: 5	T200	1.0	5.00	8.80	60
A1506040-570	416.5	: 5	T400	1.0	4.00	7.50	52
A1505510-570	500	: 5	T100	1.0	2.50	5.90	34

For more information please contact:

**ABB Inc.**

**Medium Voltage Distribution Components**

3022 NC 43 North

Pinetops, NC 27864

USA

Phone: +1 252 827 3212

Fax: +1 252 827 4286

**[www.abb.com/mediumvoltage](http://www.abb.com/mediumvoltage)**

**Note:**

The information contained in this document is for general information purposes only. While ABB strives to keep the information up to date and correct, it makes no representations or warranties of any kind, express or implied, about the completeness, accuracy, reliability, suitability, or availability with respect to the information, products, services, or related graphics contained in the document for any purpose. Any reliance placed on such information is therefore strictly at your own risk. ABB reserves the right to discontinue any product or service at any time.

Copyright 2012 ABB.

All rights reserved.