

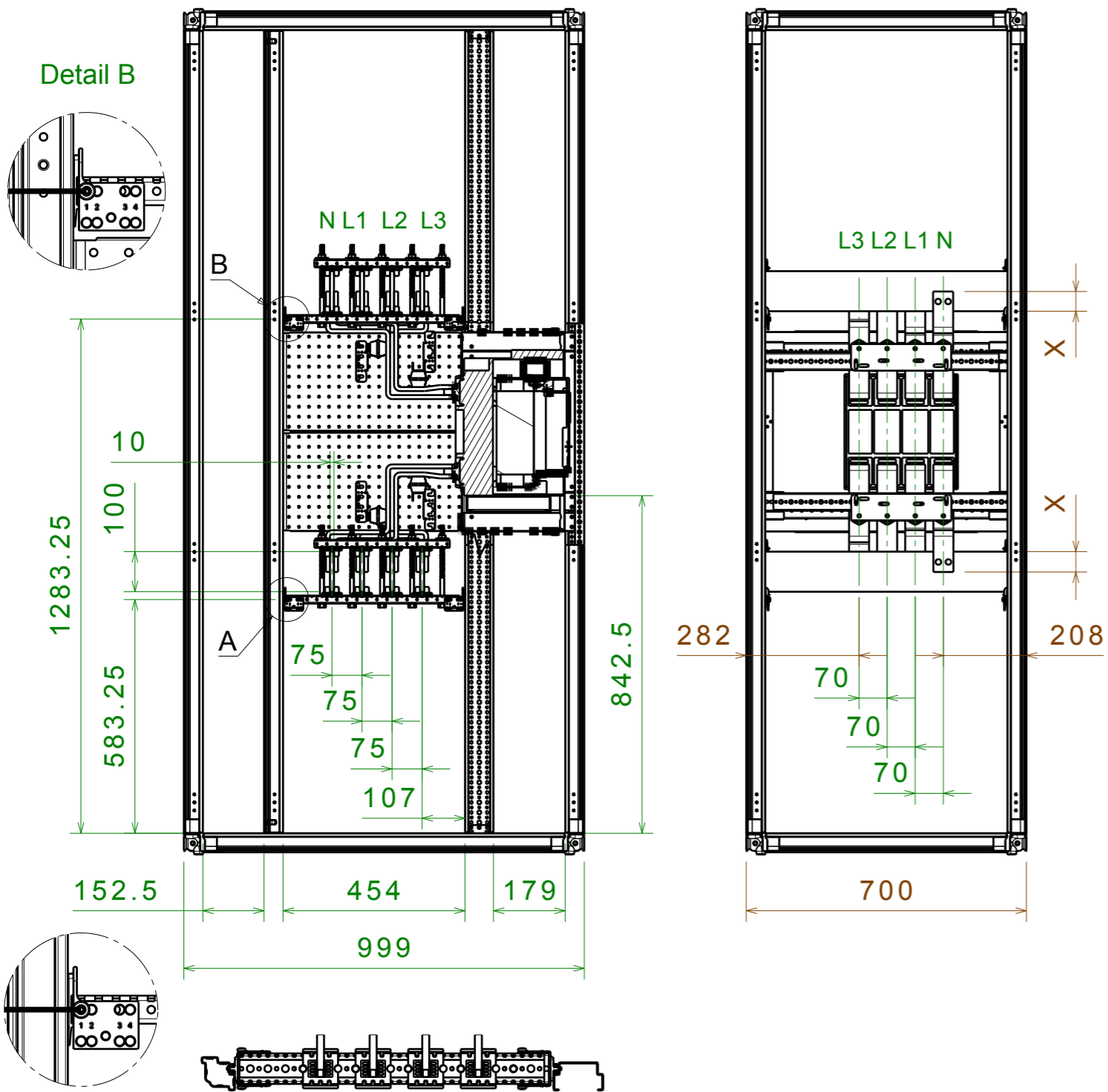
**SINGLE MAIN COLUMNS - SM**

Omnibus nominal current [A]	IP protection degree	Ingoing circuit breaker type	Circuit breaker rating [A]	Reference drawings $I_{cw} \leq 36$ [kA]	Reference drawings $I_{cw} > 36$ [kA]	Anchoring system $I_{cw} \leq 36$ [kA]	Anchoring system $I_{cw} > 36$ [kA]	Online file name
1000	IP30	Tmax T7/Emax E1.2	1000	863709 863707 863712 863819	863709 863708 863712 863820	863876	863877	SM_MB_1000_1250IP30_1600IP40_T7_E1.2W1000UpTo1600
1250	IP30	Tmax T7/Emax E1.2	1000 ÷ 1250	863709 863707 863712 863819	863709 863708 863712 863820	863876	863877	SM_MB_1000_1250IP30_1600IP40_T7_E1.2W1000UpTo1600
1600	IP40	Tmax T7/Emax E1.2	1000 ÷ 1600	863709 863707 863712 863819	863709 863708 863712 863820	863876	863877	SM_MB_1000_1250IP30_1600IP40_T7_E1.2W1000UpTo1600
2000	IP30	Tmax T7/Emax E1.2	1000 ÷ 1600	876715 863713	863715 863714	863876	863877	SM_MB_2000_2500_3200IP30_2000_2500IP40_T7_E1.2W1000UpTo1600
		Emax E2.2	2000	863689 863690	863689 863691	863876	863877	SM_MB_2000_2500_3200IP30_2000_2500IP40_E2.2W2000UpTo2500
2000	IP40	Tmax T7/Emax E1.2	1000 ÷ 1600	876715 863713	863715 863714	863876	863877	SM_MB_2000_2500_3200IP30_2000_2500IP40_T7_E1.2W1000UpTo1600
		Emax E2.2	2000	863689 863690	863689 863691	863876	863877	SM_MB_2000_2500_3200IP30_2000_2500IP40_E2.2W2000UpTo2500
2500	IP30	Tmax T7/Emax E1.2	1000 ÷ 1600	876715 863713	863715 863714	863876	863877	SM_MB_2000_2500_3200IP30_2000_2500IP40_T7_E1.2W1000UpTo1600
		Emax E2.2	2000	863689 863690	863689 863691	863876	863877	SM_MB_2000_2500_3200IP30_2000_2500IP40_E2.2W2000UpTo2500
		Emax E2.2	2500	863686 863687	863686 863688	863876	863877	SM_MB_2000_2500_3200IP30_2000_2500IP40_E2.2W2000UpTo2500
2500	IP40	Tmax T7/Emax E1.2	1000 ÷ 1600	876715 863713	863715 863714	863876	863877	SM_MB_2000_2500_3200IP30_2000_2500IP40_T7_E1.2W1000UpTo1600
		Emax E2.2	2000	863689 863690	863689 863691	863876	863877	SM_MB_2000_2500_3200IP30_2000_2500IP40_E2.2W2000UpTo2500
		Emax E2.2	2500	863686 863687	863686 863688	863876	863877	SM_MB_2000_2500_3200IP30_2000_2500IP40_E2.2W2000UpTo2500
3200	IP30	Tmax T7/Emax E1.2	1000 ÷ 1600	876715 863713	863715 863714	863876	863877	SM_MB_2000_2500_3200IP30_2000_2500IP40_T7_E1.2W1000UpTo1600
		Emax E2.2	2000	863689 863690	863689 863691	863876	863877	SM_MB_2000_2500_3200IP30_2000_2500IP40_E2.2W2000UpTo2500
		Emax E2.2	2500	863686 863687	863686 863688	863876	863877	SM_MB_2000_2500_3200IP30_2000_2500IP40_E2.2W2000UpTo2500
		Emax E4.2	3200		863695 863696		863877	SM_MB_3200IP30_E4.2W_3200A
3200	IP40	Tmax T7/Emax E1.2	1000 ÷ 1600		863716 863717		863877	SM_MB_4000IP30_3200IP40_T7_E1.2W1000UpTo1600
		Emax E2.2	2000		863704 863705		863877	SM_MB_4000IP30_3200IP40_E2.2W2000UpTo2500
		Emax E2.2	2500		863701 863702		863877	SM_MB_4000IP30_3200IP40_E2.2W2000UpTo2500
		Emax E4.2	3200		863698 863699		863877	SM_MB_4000IP30_3200IP40_E4.2W_3200A
4000	IP30	Tmax T7/Emax E1.2	1000 ÷ 1600		863716 863717		863877	SM_MB_4000IP30_3200IP40_T7_E1.2W1000UpTo1600
		Emax E2.2	2000		863704 863705		863877	SM_MB_4000IP30_3200IP40_E2.2W2000UpTo2500
		Emax E2.2	2500		863701 863702		863877	SM_MB_4000IP30_3200IP40_E2.2W2000UpTo2500
		Emax E4.2	3200		863698 863699		863877	SM_MB_4000IP30_3200IP40_E4.2W_3200A
		Emax E4.2	4000		863692 863694		863877	SM_MB_4000IP30_3200IP40_E4.2W_3200A
4000	IP40	Tmax T7/Emax E1.2	1000 ÷ 1600		863710 863718		863877	SM_MB_4000IP40_T7_E1.2W1000UpTo1600
		Emax E2.2	2000		863711 863706		863877	SM_MB_4000IP40_E2.2W2000UpTo2500
		Emax E2.2	2500		863721 863703		863877	SM_MB_4000IP40_E2.2W2000UpTo2500
		Emax E4.2	3200		863720 863700		863877	SM_MB_4000IP40_E4.2W_3200UpTo4000A
		Emax E4.2	4000		863719 863693		863877	SM_MB_4000IP40_E4.2W_3200UpTo4000A
5000	IP30	Emax E4.2	3200		863922 863865			SM_MB_5000IP30_E4.2W_3200UpTo4000A
		Emax E4.2	4000		863920 863924			SM_MB_5000IP30_E4.2W_3200UpTo4000A
		Emax E6.2	5000		863861 863860 863867			SM_MB_5000_6300IP30_E6.2W_5000A
6300	IP30	Emax E4.2	3200		863923 863866			SM_MB_6300IP30_E4.2W_3200UpTo4000A
		Emax E4.2	4000		863921 863919			SM_MB_6300IP30_E4.2W_3200UpTo4000A
		Emax E6.2	5000		863861 863860 863867			SM_MB_5000_6300IP30_E6.2W_5000A
		Emax E6.2	6300		863864 863862 863863			SM_MB_6300IP30_E6.2W_6300A

**COUPLER COLUMNS - MC**

Omnibus nominal current [A]	IP protection degree	Circuit breaker kit "A and C" type	Circuit breaker rating [A]	Reference drawings $I_{cw} \leq 36$ [kA]	Reference drawings $I_{cw} > 36$ [kA]	Anchoring system $I_{cw} \leq 36$ [kA]	Anchoring system $I_{cw} > 36$ [kA]	Online file name
1000	IP30	Tmax T7/Emax E1.2	1000	863855 863856 863895 863896	863855 863857 863896 863897	863876	863877	MC_MB_1250_1000IP30_T7E1.2W_1250A
1250	IP30	Tmax T7/Emax E1.2	1250	863855 863856 863895 863896	863855 863857 863896 863897	863876	863877	MC_MB_1250_1000IP30_T7E1.2W_1250A
1600	IP30	Tmax T7/Emax E1.2	1600	863839 863840 863849 863850	863839 863841 863849 863851	863876	863877	MC_MB_1600IP30_1600IP40_T7E1.2W_1600A
	IP40		1600	863839 863840 863849 863850	863839 863841 863849 863851	863876	863877	MC_MB_1600IP30_1600IP40_T7E1.2W_1600A
2000	IP30	Emax E2.2	2000	863852 863853	863852 863854	863876	863877	MC_MB_2000IP30_2000IP40_E2.2W_2000A
	IP40		2000	863852 863853	863852 863854	863876	863877	MC_MB_2000IP30_2000IP40_E2.2W_2000A
2500	IP30	Emax E2.2	2500	863836 863838	863836 863837	863876	863877	MC_MB_2500IP30_2500IP40_E2.2W_2500A
	IP40		2500	863836 863838	863836 863837	863876	863877	MC_MB_2500IP30_2500IP40_E2.2W_2500A
3200	IP30	Emax E4.2	3200		863829 863830		863877	MC_MB_3200IP30_E4.2W_3200A
	IP40		3200		863825 863827		863877	MC_MB_3200IP40_E4.2W_3200A
4000	IP30	Emax E4.2	4000		863821 863823		863877	MC_MB_4000IP30_E4.2W_4000A
	IP40		4000		863822 863824		863877	MC_MB_4000IP40_E4.2W_4000A
5000	IP30	Emax E4.2	3200		863922 863865			SM_MB_5000IP30_E4.2W_3200UpTo4000A
		Emax E4.2	4000		863920 863924			SM_MB_5000IP30_E4.2W_3200UpTo4000A
		Emax E6.2	5000		863861 863860 863867			SM_MB_5000_6300IP30_E6.2W_5000A
6300	IP30	Emax E4.2	3200		863923 863866			SM_MB_6300IP30_E4.2W_3200UpTo4000A
		Emax E4.2	4000		863921 863919			SM_MB_6300IP30_E4.2W_3200UpTo4000A
		Emax E6.2	5000		863861 863860 863867			SM_MB_5000_6300IP30_E6.2W_5000A
		Emax E6.2	6300		863864 863862 863863			SM_MB_6300IP30_E6.2W_6300A

# ASSEMBLY DRAWING E1.2 1000A/1250A/1600A W $I_{cw} > 36kA$

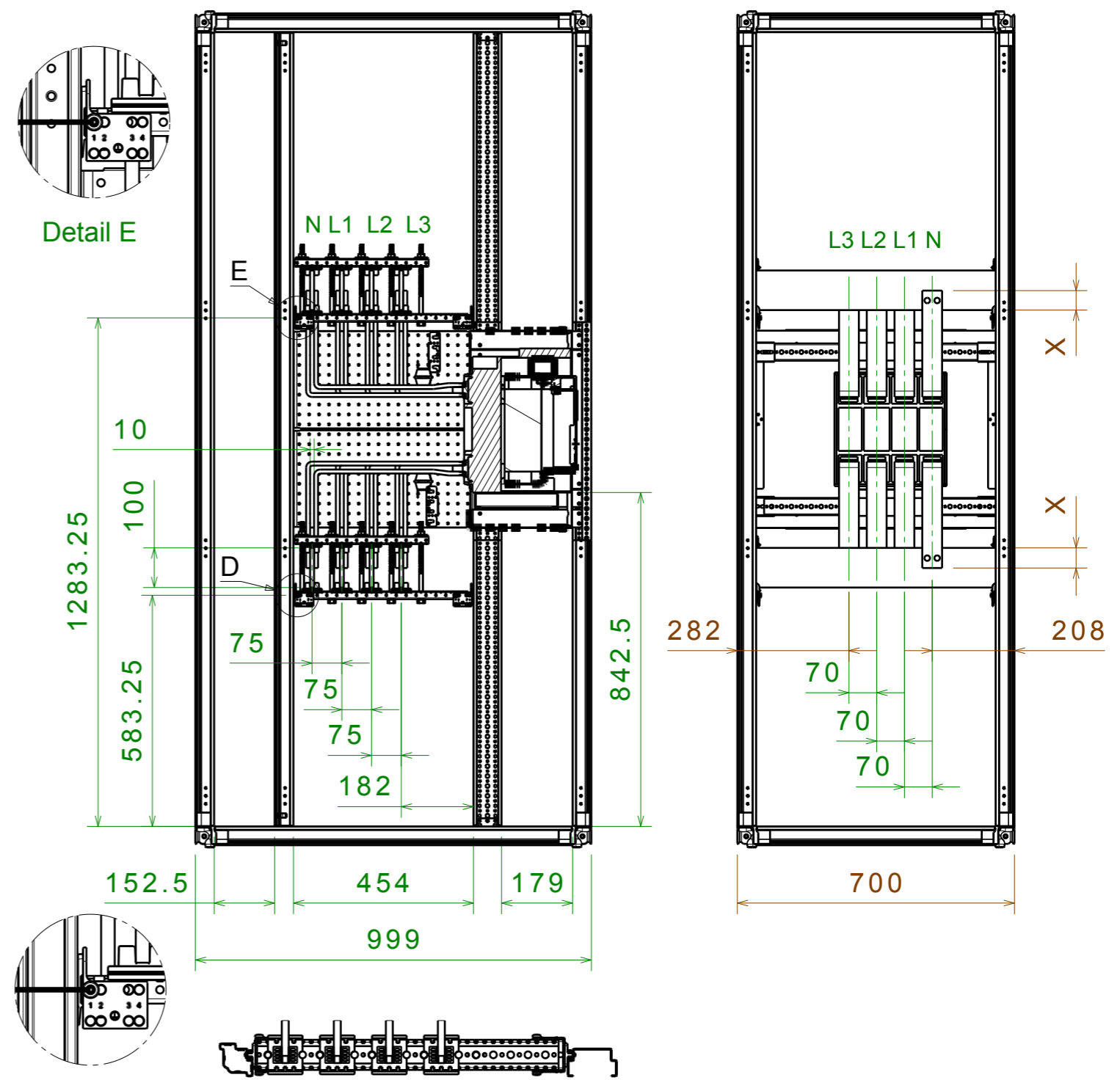


Detail A

H MAIN BUSBARS				
	40	50	80	100
X	40	50	50	50

## CONNECTION BUSBAR 2x50x10xP

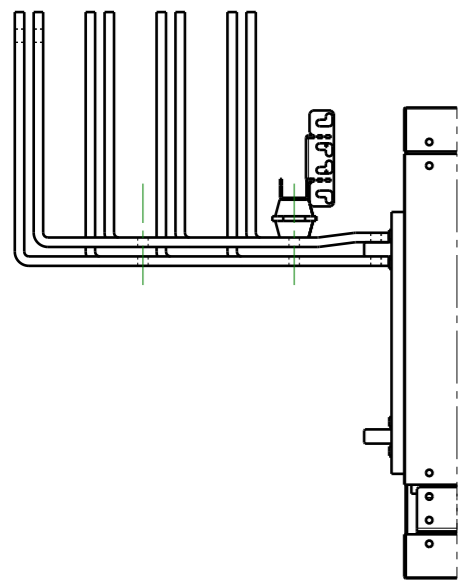
# ASSEMBLY DRAWING E1.2 1000A/1250A/1600A W $I_{cw} \leq 36kA$



Detail D

AGG. DI SEGNO	SCALA SCALE	: 1:14	N° PROGETTO PROJECT	XXX.XX
MODIFICA	DISEGNATORE DESIGNER		<b>ABB SACE ADB</b>	
DATA	APPROVAZIONE APPROVAL		DENOMINAZIONE/NAME:	
	DATA DATE	: xx-xx-xx	E1.2 1000A/1250A/1600A W CONNECTION BUSBARS 2x50x10xP	
		Formato A3 Formed	DISEGNO N° /DRAWING N°	
			8 6 3 7 0 9	

Questo disegno e' di esclusiva proprieta' di ABB SACE ADB. Ne e' vietata la riproduzione e termini di legge



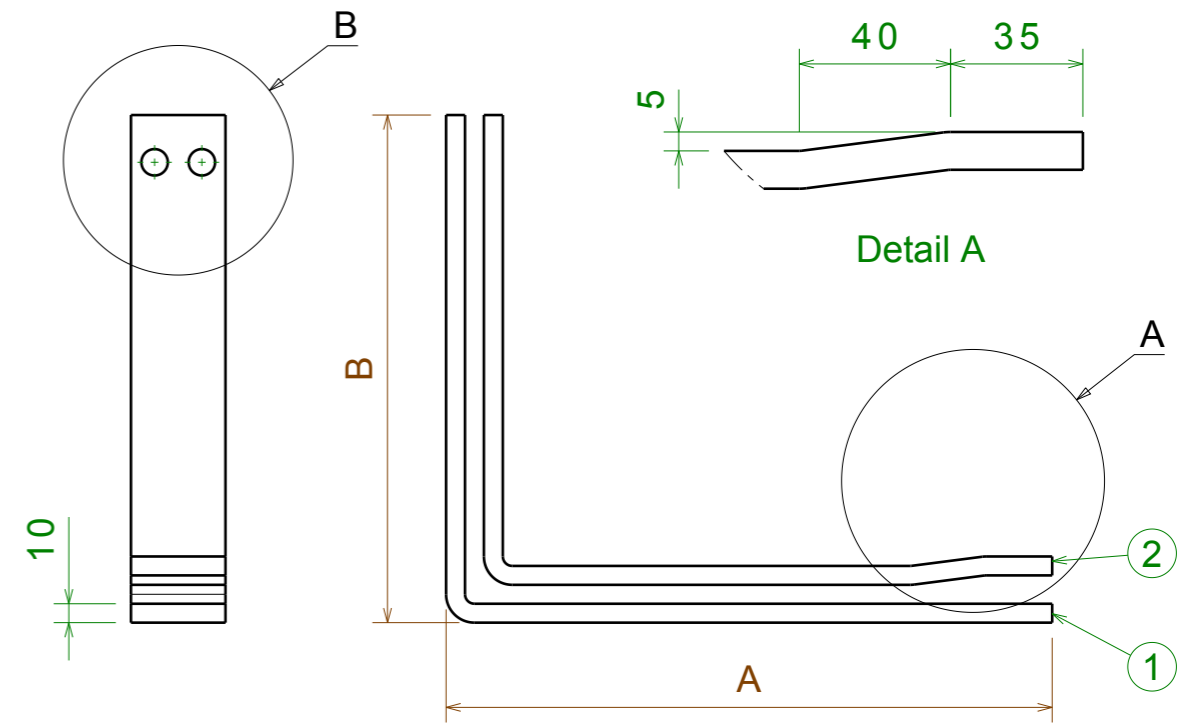
# MAIN BUSBARS UP

	B			
	H MAIN BUSBARS			
	40	50	80	100
L3.1	258.5	268.5	268.5	268.5
L3.2	238.5	248.5	248.5	248.5
L2.1	258.5	268.5	268.5	268.5
L2.2	238.5	248.5	248.5	248.5
L1.1	258.5	268.5	268.5	268.5
L1.2	238.5	248.5	248.5	248.5
N.1	258.5	268.5	268.5	268.5
N.2	238.5	248.5	248.5	248.5

# CONNECTIONS FOR E1.2 WITHDRAWABLE 1000A/1250A/1600A I<sub>cw</sub> ≤ 36KW

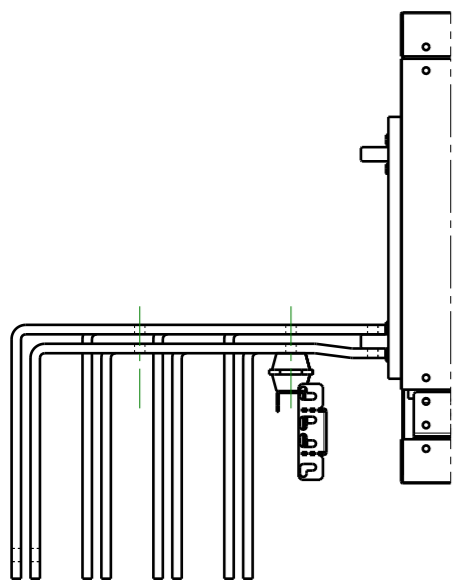
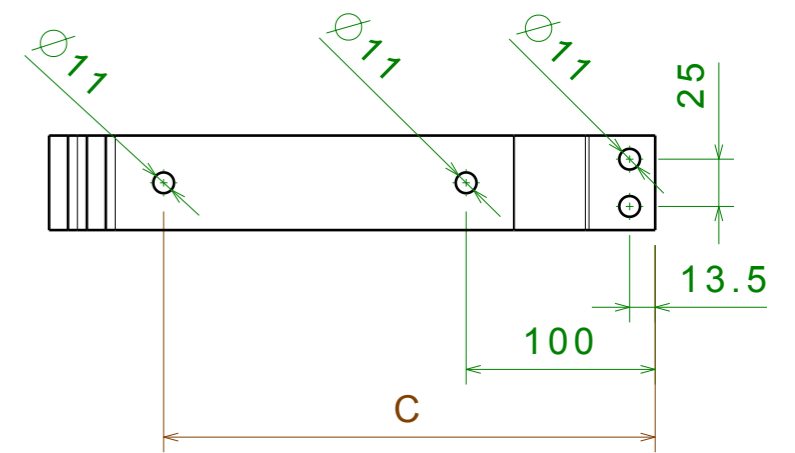
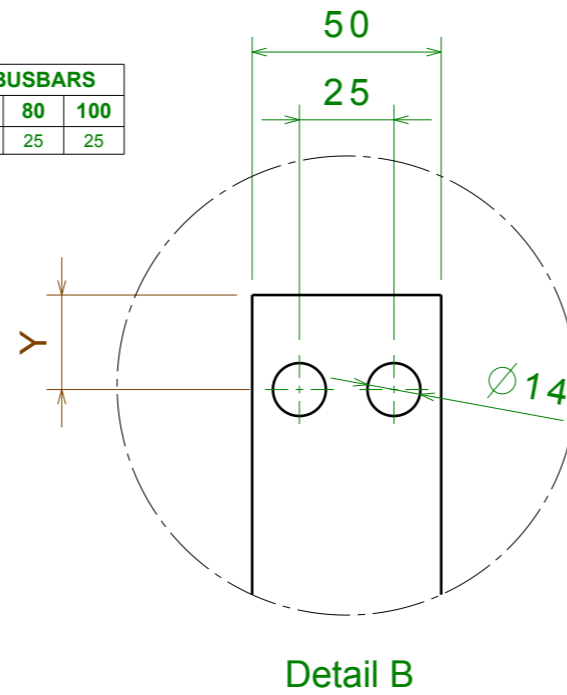
SPEP P = 700mm  
 BUSBARS HOLDER PBHB1125 (50mm)

MAIN BUSBAR IP30 / IP31 : 1000A (1x40x10); 1250A (1x50x10); 1600A (1x80x10)  
 MAIN BUSBAR IP40 / IP41 / IP65 : 1600A (1x100x10)



PHASE	POS	A	C
L3	1	L3.1	170.6
	2	L3.2	150.6
L2	1	L2.1	245.6
	2	L2.2	225.6
L1	1	L1.1	320.6
	2	L1.2	300.6
N	1	N.1	395.6
	2	N.2	375.6

H MAIN BUSBARS				
	40	50	80	100
Y	20	25	25	25

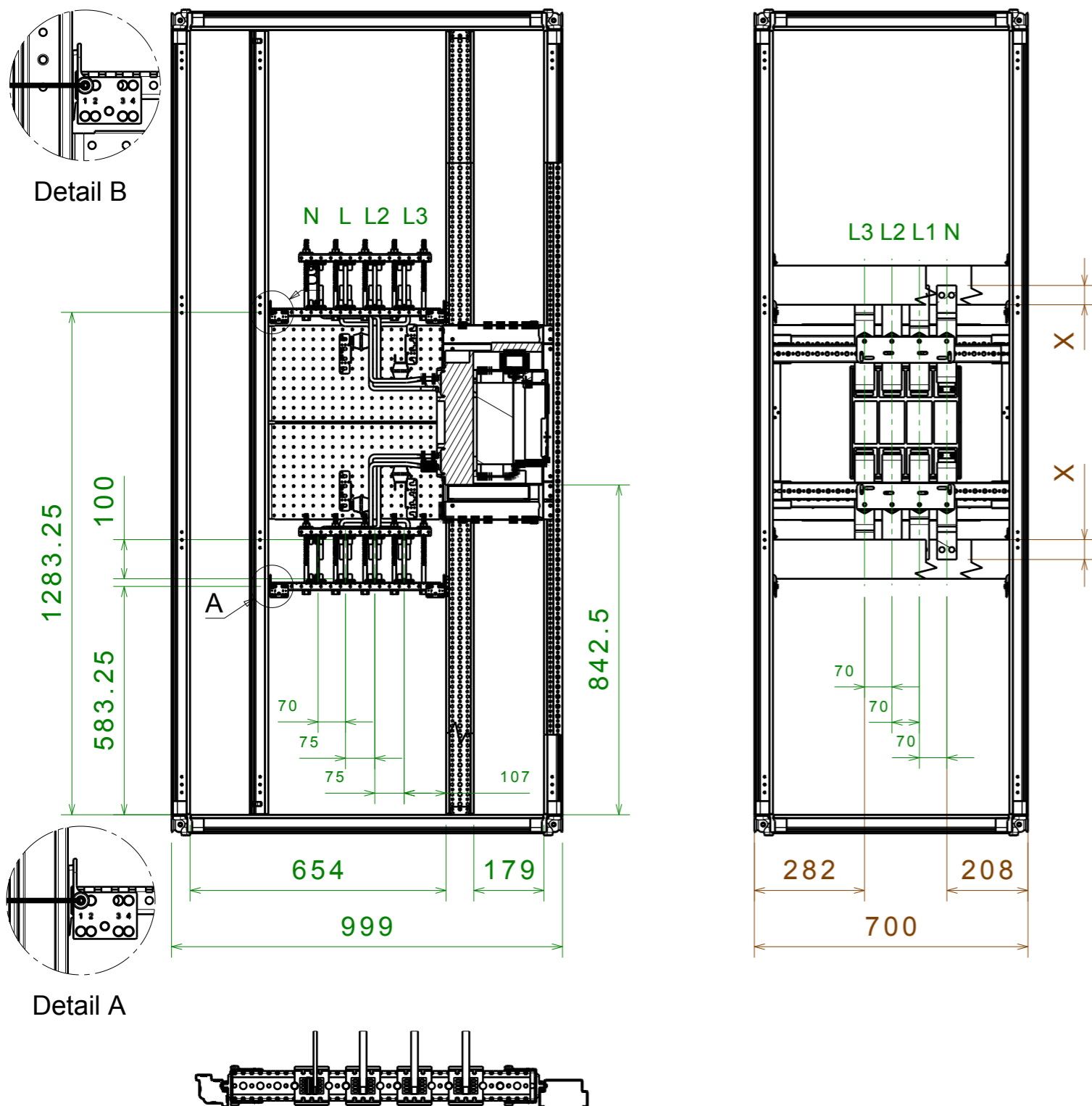


# MAIN BUSBARS DOWN

	B			
	H MAIN BUSBARS			
	40	50	80	100
L3.1	318.5	318.5	288.5	268.5
L3.2	298.5	298.5	268.5	248.5
L2.1	318.5	318.5	288.5	268.5
L2.2	298.5	298.5	268.5	248.5
L1.1	318.5	318.5	288.5	268.5
L1.2	298.5	298.5	268.5	248.5
N.1	318.5	318.5	288.5	268.5
N.2	298.5	298.5	268.5	248.5

SCALA SCALE	: 1:4	N° PROGETTO : PROJECT	XXX.XX
DISEGNATORE DESIGNER	:	ABB SACE ADB	
APPROVAZIONE APPROVAL	:	DISEGNO N° /DRAWING N°	
DATA DATE	: xx-xx-xx	E1.2 1000A/1250A/1600A W CONNECTION BUSBARS 2x50x10xP_L	
FORMATO FORMED	Formato A3 Formed	8 6 3 7 0 7	

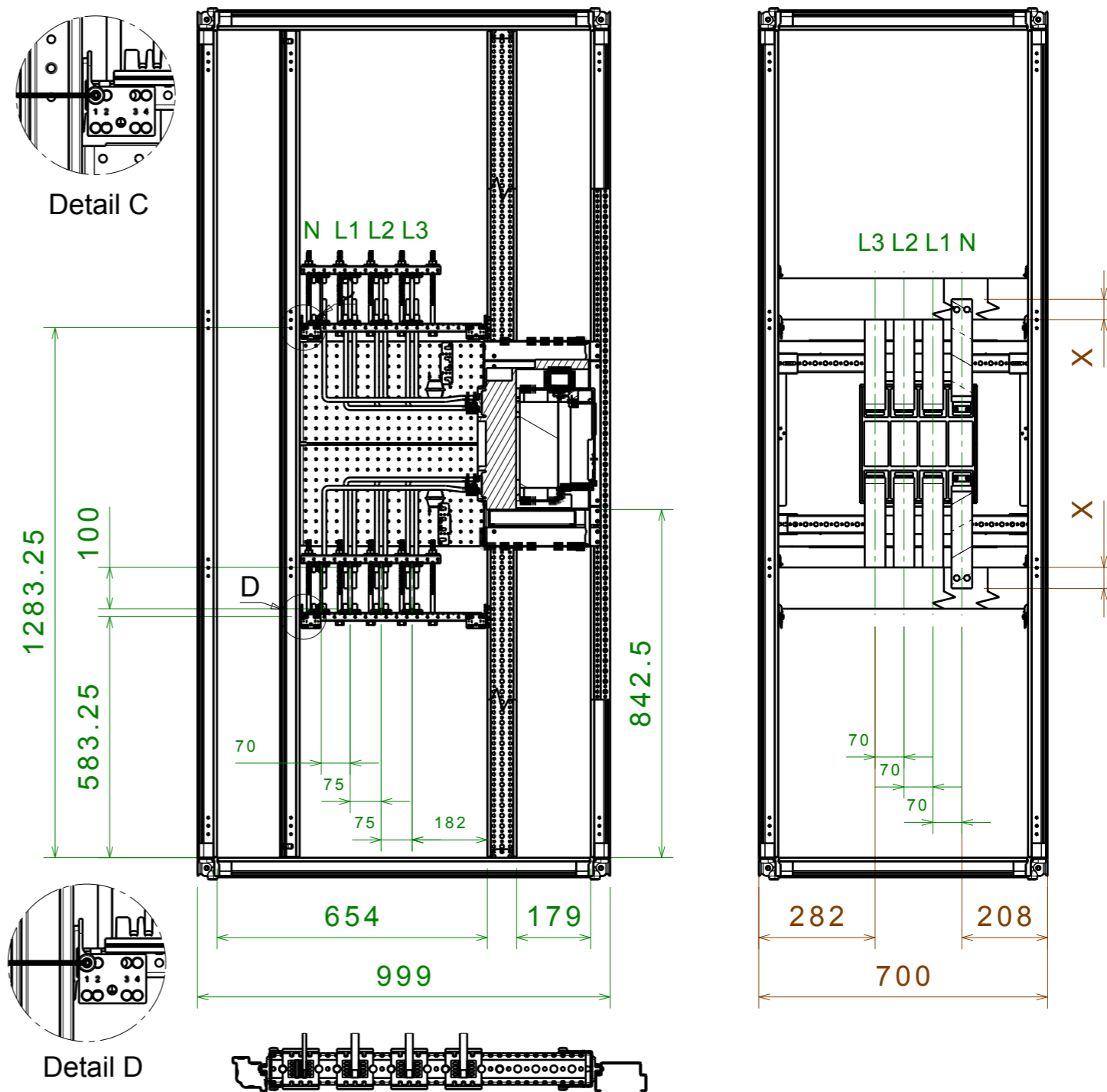
ASSEMBLY DRAWING  
E1.2 1000A/1250A/1600A W  
(COUPLER COLUMN)  $I_{cw} > 36kA$



H MAIN BUSBARS				
	40	50	80	100
X	40	50	50	50

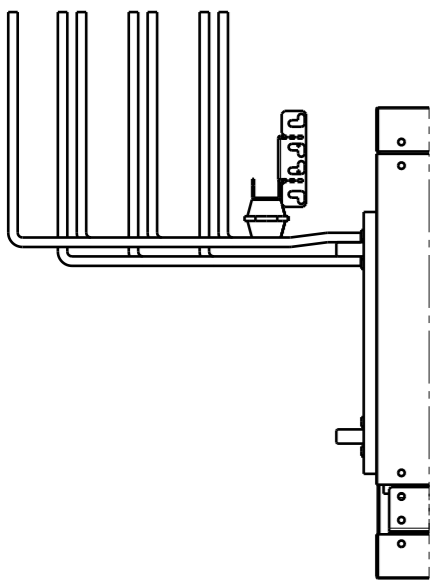
CONNECTION BUSBAR 2x50x10xP + 1x50x10xN

ASSEMBLY DRAWING  
E1.2 1000A/1250A/1600A W  
(COUPLER COLUMN)  $I_{cw} \leq 36kA$



AGG. DISEGNO	SCALA SCALE	: 1:14	N° PROGETTO : PROJECT	XXX.XX
MODIFICA	DISEGNATORE DESIGNER	:	ABB SACE ADB	
DATA	APPROVAZIONE APPROVAL	:	DISEGNO N° /DRAWING N°	
	DATA DATE	: xx-xx-xx	E1.2 1000A/1250A/1600A W CONNECTION BUSBARS 2x50x10xP + 1x50x10xN	
	FORMATO FORMED	Formato A3 Formed	8 6 3 7 1 2	

Questo disegno e' di esclusiva proprieta' di ABB SACE ADB. Ne e' vietata la riproduzione e termini di legge



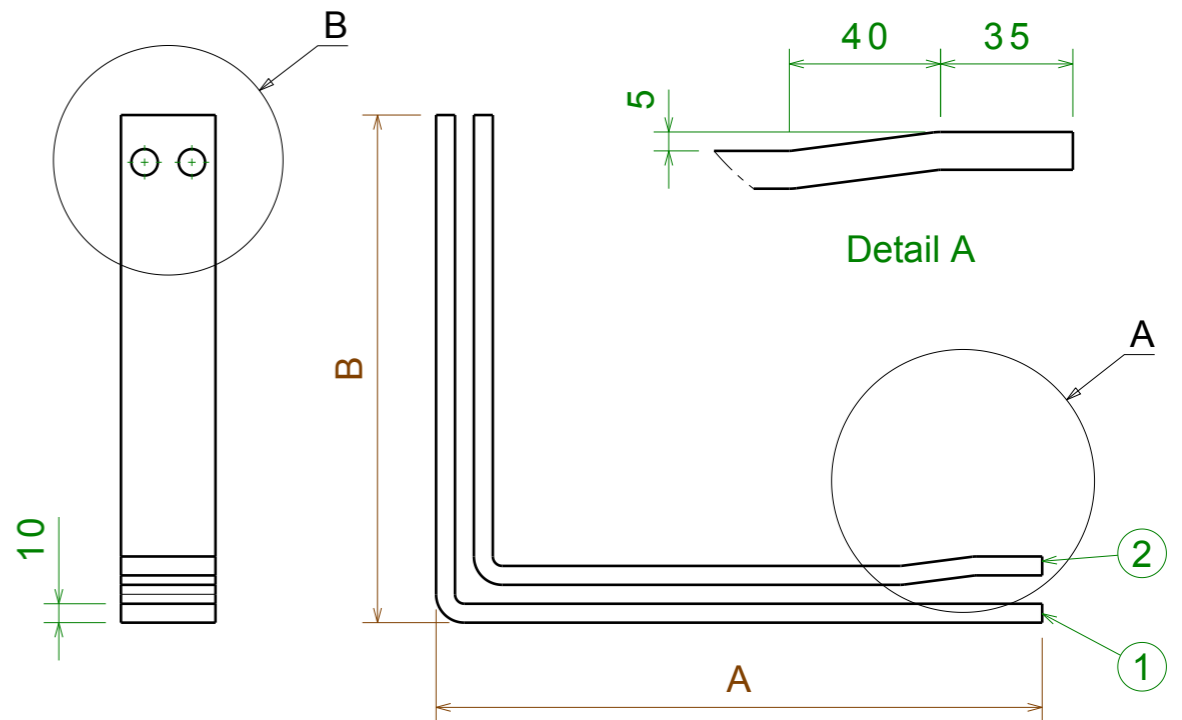
**MAIN  
BUSBARS  
UP**

	B			
	H MAIN BUSBARS			
	40	50	80	100
L3.1	258.5	268.5	268.5	268.5
L3.2	238.5	248.5	248.5	248.5
L2.1	258.5	268.5	268.5	268.5
L2.2	238.5	248.5	248.5	248.5
L1.1	258.5	268.5	268.5	268.5
L1.2	238.5	248.5	248.5	248.5
N.1	-	-	-	-
N.2	238.5	248.5	248.5	248.5

# CONNECTIONS FOR E1.2 WITHDRAWABLE 1000A/1250A/1600A $I_{cw} \leq 36KA$

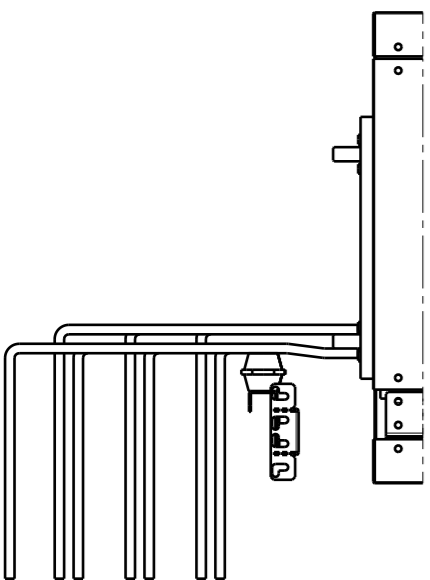
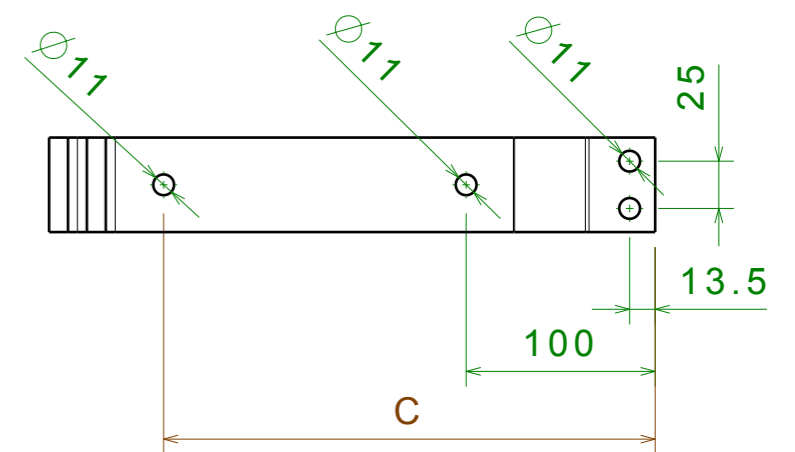
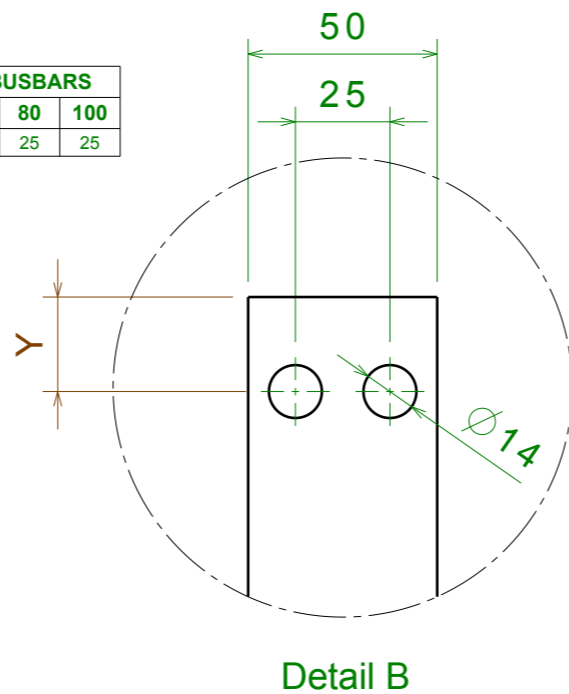
SPEP P = 700mm  
BUSBARS HOLDER PBHB1125 (50mm)

MAIN BUSBAR WITH N 50% IP30 / IP31 : 1000A (1x40x10); 1250A (1x50x10); 1600A (1x80x10)  
MAIN BUSBAR WITH N 50% IP40 / IP41 / IP65 : 1600A (1x100x10)



PHASE	POS		A	C
L3	1	L3.1	170.6	-
	2	L3.2	150.6	-
L2	1	L2.1	245.6	-
	2	L2.2	225.6	-
L1	1	L1.1	320.6	260
	2	L1.2	300.6	260
N	1	N.1	-	-
	2	N.2	373.1	260

Y	H MAIN BUSBARS			
	40	50	80	100
	20	25	25	25

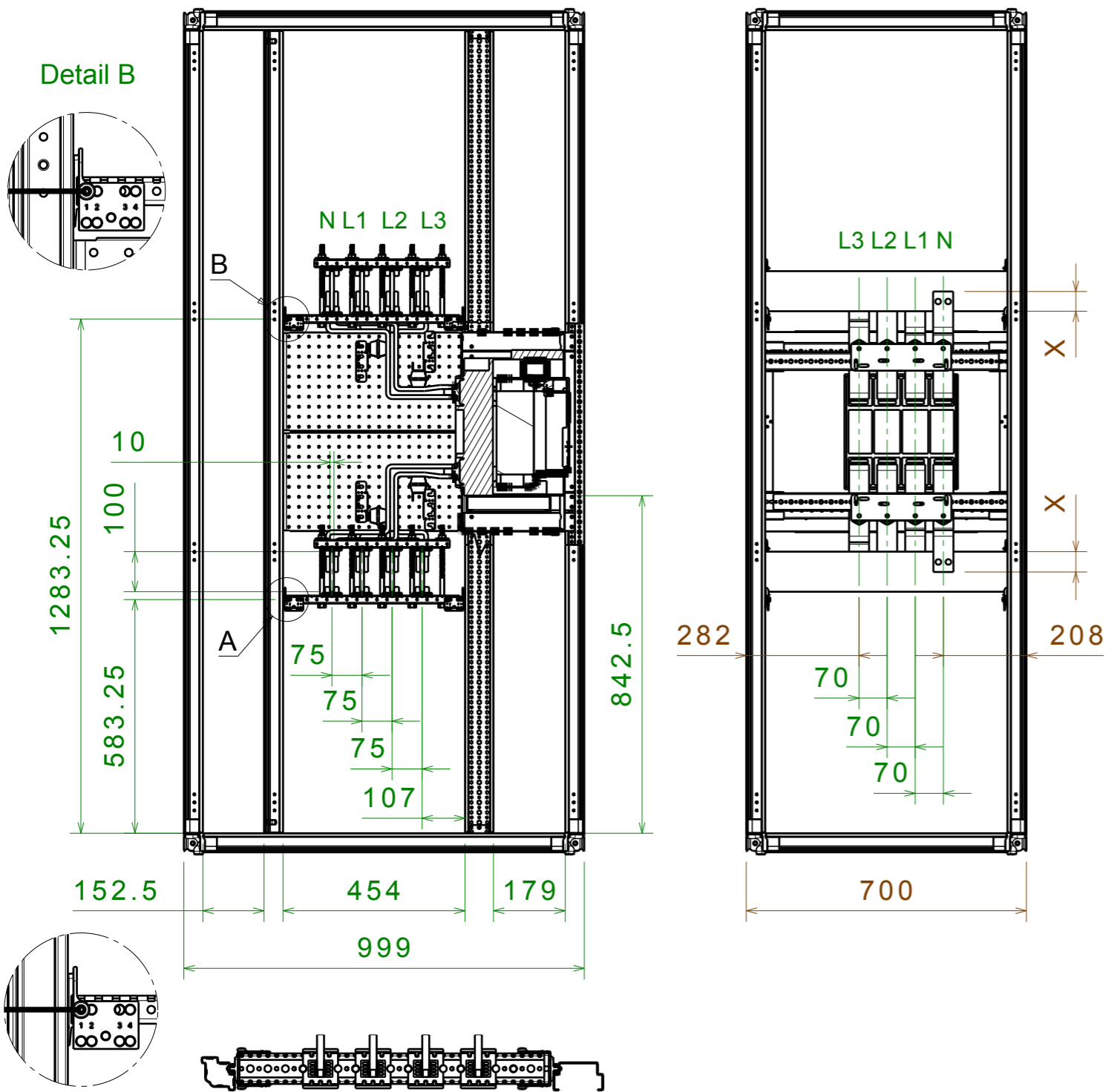


**MAIN  
BUSBARS  
DOWN**

	B			
	H MAIN BUSBARS			
	40	50	80	100
L3.1	318.5	318.5	288.5	268.5
L3.2	298.5	298.5	268.5	248.5
L2.1	318.5	318.5	288.5	268.5
L2.2	298.5	298.5	268.5	248.5
L1.1	318.5	318.5	288.5	268.5
L1.2	298.5	298.5	268.5	248.5
N.1	-	-	-	-
N.2	298.5	298.5	268.5	248.5

DATA	MODIFICA	AGG. DI SEGNO	SCALA	SCALE	N° PROGETTO / PROJECT	DENOMINAZIONE/NAME	DISEGNO N° /DRAWING N°
			SCALA	: 1:4	XXX.XX	E1.2 1000A/1250A/1600A W CONNECTION BUSBARS 2x50x10xP + 1x50x10xN	8 6 3 8 1 9
			DISEGNATORE / DESIGNER				
			APPROVAZIONE / APPROVAL				
			DATA / DATE	: xx-xx-xx			
			FORMATO / FORMED	Formato A3 Formed			

# ASSEMBLY DRAWING E1.2 1000A/1250A/1600A W $I_{cw} > 36kA$

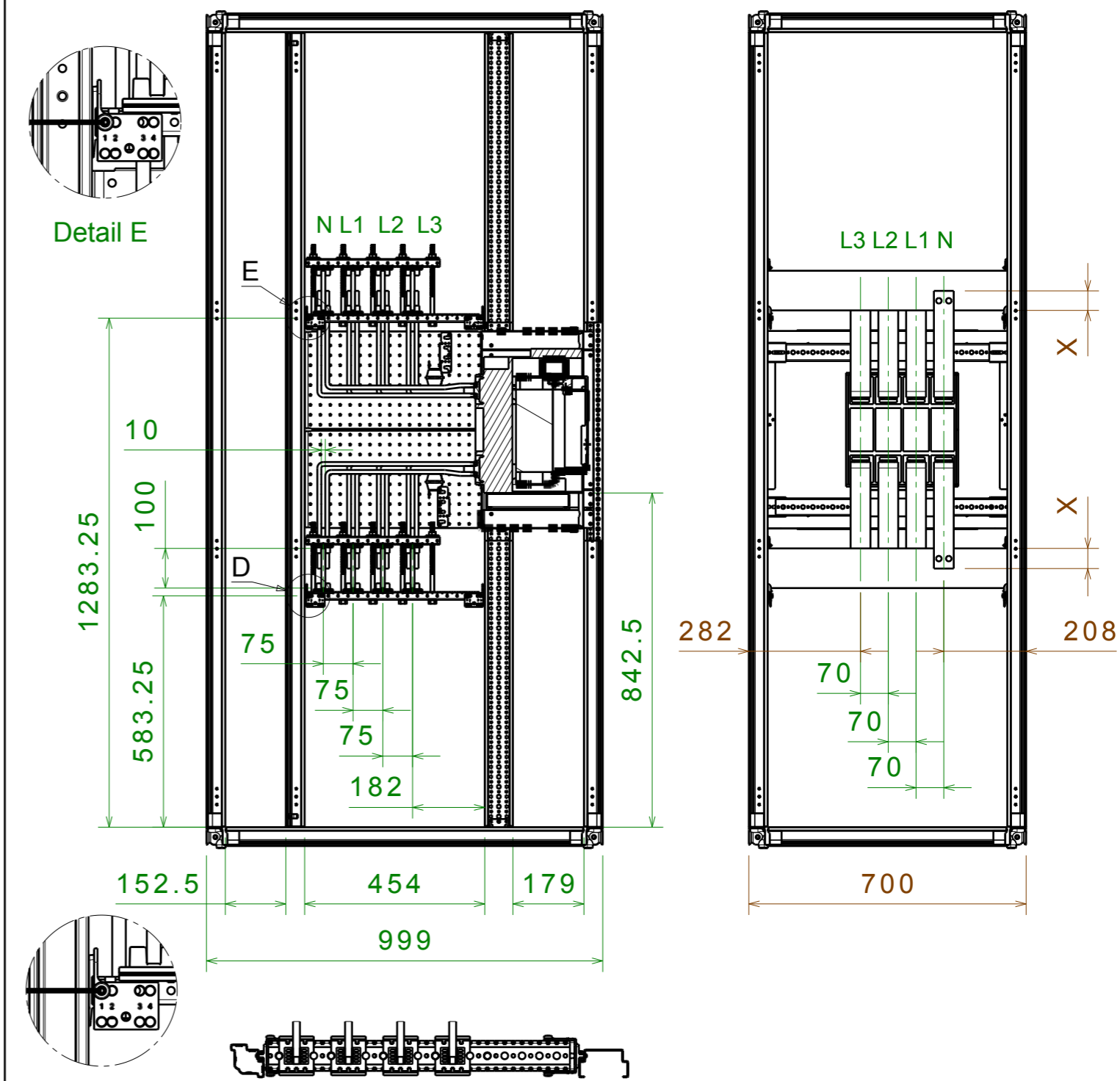


Detail A

H MAIN BUSBARS				
	40	50	80	100
X	40	50	50	50

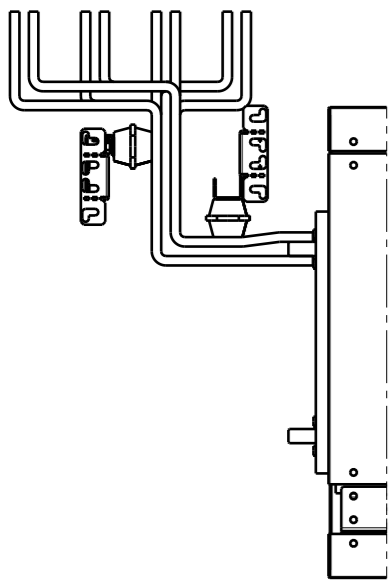
## CONNECTION BUSBAR 2x50x10xP

# ASSEMBLY DRAWING E1.2 1000A/1250A/1600A W $I_{cw} \leq 36kA$



Detail D

AGG. DI SEGNO	SCALA SCALE	: 1:14	N° PROGETTO PROJECT	XXX.XX
MODIFICA	DISEGNATORE DESIGNER		<b>ABB SACE ADB</b>	
DATA	APPROVAZIONE APPROVAL		DENOMINAZIONE/NAME: E1.2 1000A/1250A/1600A W CONNECTION BUSBARS 2x50x10xP	
	DATA DATE	: xx-xx-xx	DISEGNO N° /DRAWING N° <b>8 6 3 7 0 9</b>	
		Formato A3 Formed	Questo disegno è di esclusiva proprietà di ABB SACE ADB. Ne è vietata la riproduzione e termini di legge	

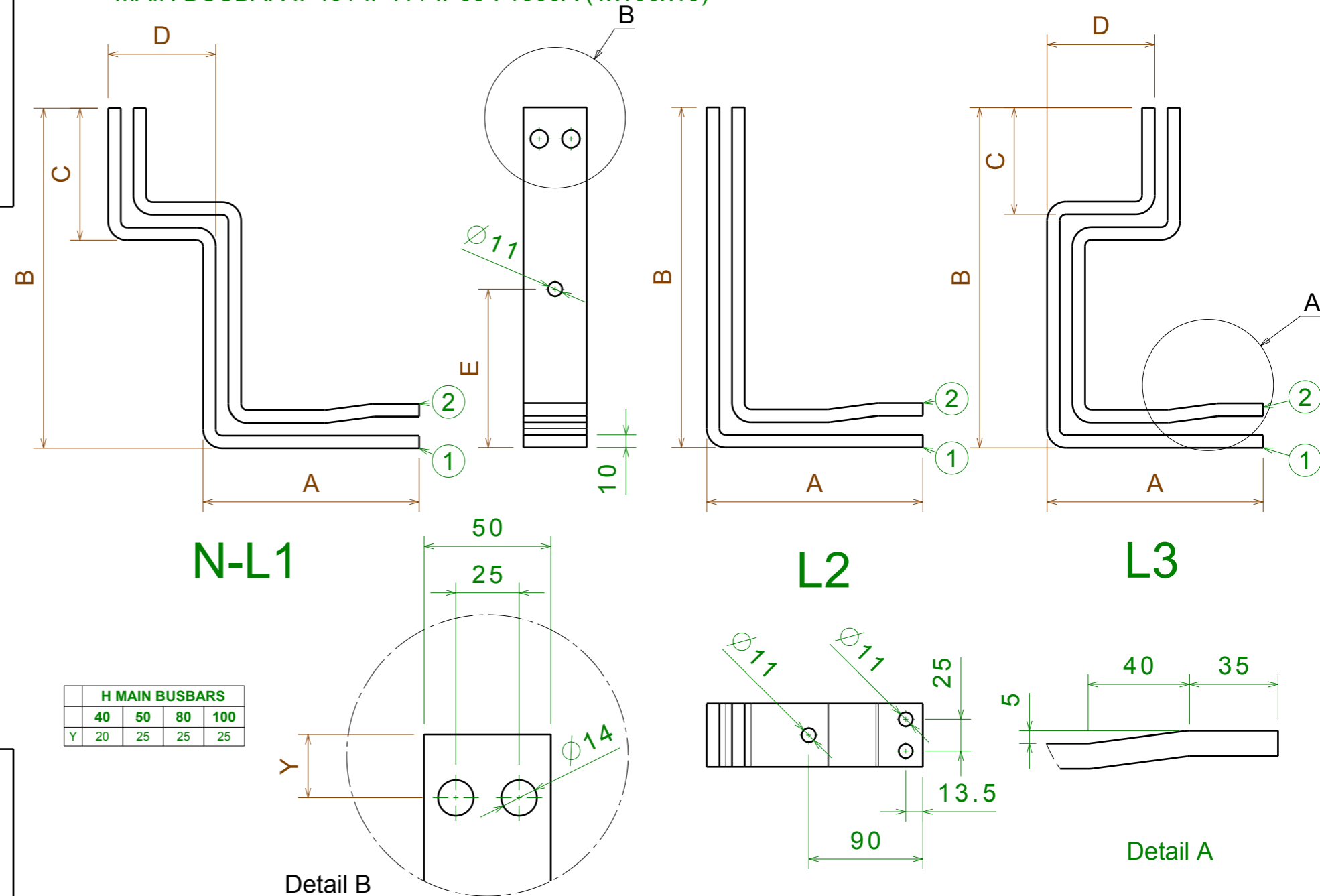


**MAIN  
BUSBARS  
UP**

	B			
	H MAIN BUSBARS			
	40	50	80	100
L3.1	258.5	268.5	268.5	268.5
L3.2	238.5	248.5	248.5	248.5
L2.1	258.5	268.5	268.5	268.5
L2.2	238.5	248.5	248.5	248.5
L1.1	258.5	268.5	268.5	268.5
L1.2	238.5	248.5	248.5	248.5
N.1	258.5	268.5	268.5	268.5
N.2	238.5	248.5	248.5	248.5

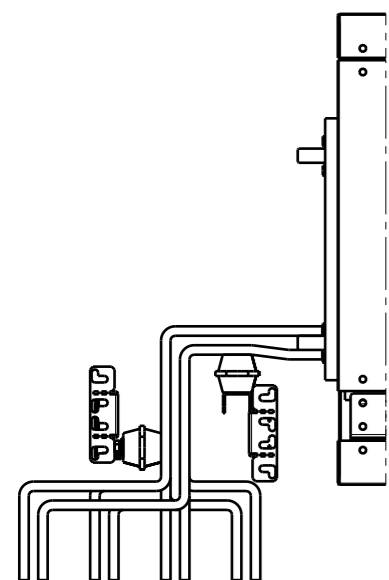
# CONNECTIONS FOR E1.2 WITHDRAWABLE 1000A/1250A/1600A I<sub>cw</sub> > 36KA

SPEP P = 700mm  
 BUSBARS HOLDER PBHB1125 (50mm)  
 MAIN BUSBAR IP30 / IP31 : 1000A (1x40x10); 1250A (1x50x10); 1600A (1x80x10)  
 MAIN BUSBAR IP40 / IP41 / IP65 : 1600A (1x100x10)



H MAIN BUSBARS				
	40	50	80	100
Y	20	25	25	25

PHASE	POS	A	C	D	E	
L3	1	L3.1	170.6	84.25	85	125
	2	L3.2	150.6	104.25	85	105
L2	1	L2.1	170.6	-	-	125
	2	L2.2	150.6	-	-	105
L1	1	L1.1	170.6	104.25	85	125
	2	L1.2	150.6	84.25	85	105
N	1	N.1	170.6	104.25	160	125
	2	N.2	150.6	84.25	160	105



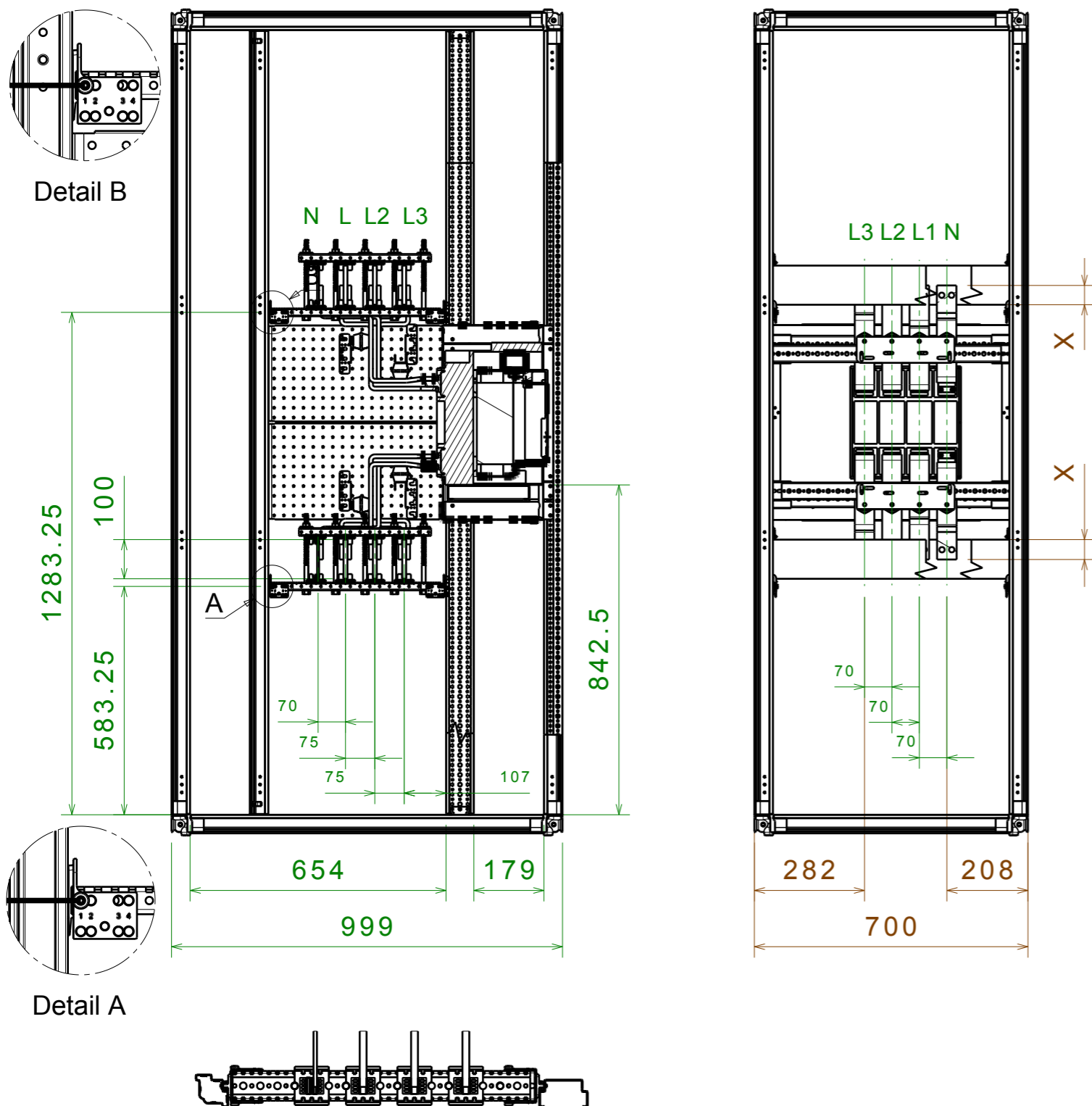
**MAIN  
BUSBARS  
DOWN**

	B			
	H MAIN BUSBARS			
	40	50	80	100
L3.1	318.5	318.5	288.5	268.5
L3.2	298.5	298.5	268.5	248.5
L2.1	318.5	318.5	288.5	268.5
L2.2	298.5	298.5	268.5	248.5
L1.1	318.5	318.5	288.5	268.5
L1.2	298.5	298.5	268.5	248.5
N.1	318.5	318.5	288.5	268.5
N.2	298.5	298.5	268.5	248.5

AGG. DI SEGNO	SCALA SCALE	: 1:8	N° PROGETTO : PROJECT	XXX.XX
DESIGNER	DISEGNATORE DESIGNER		ABB SACE ADB	
APPROVAZIONE	APPROVAL		DISEGNO N° /DRAWING N°	
DATA	DATE	: xx-xx-xx	E1.2 1000A/1250A/1600A W CONNECTION BUSBARS 2x50x10xP	
FORMATO	Formato A3 Formed		8 6 3 7 0 8	



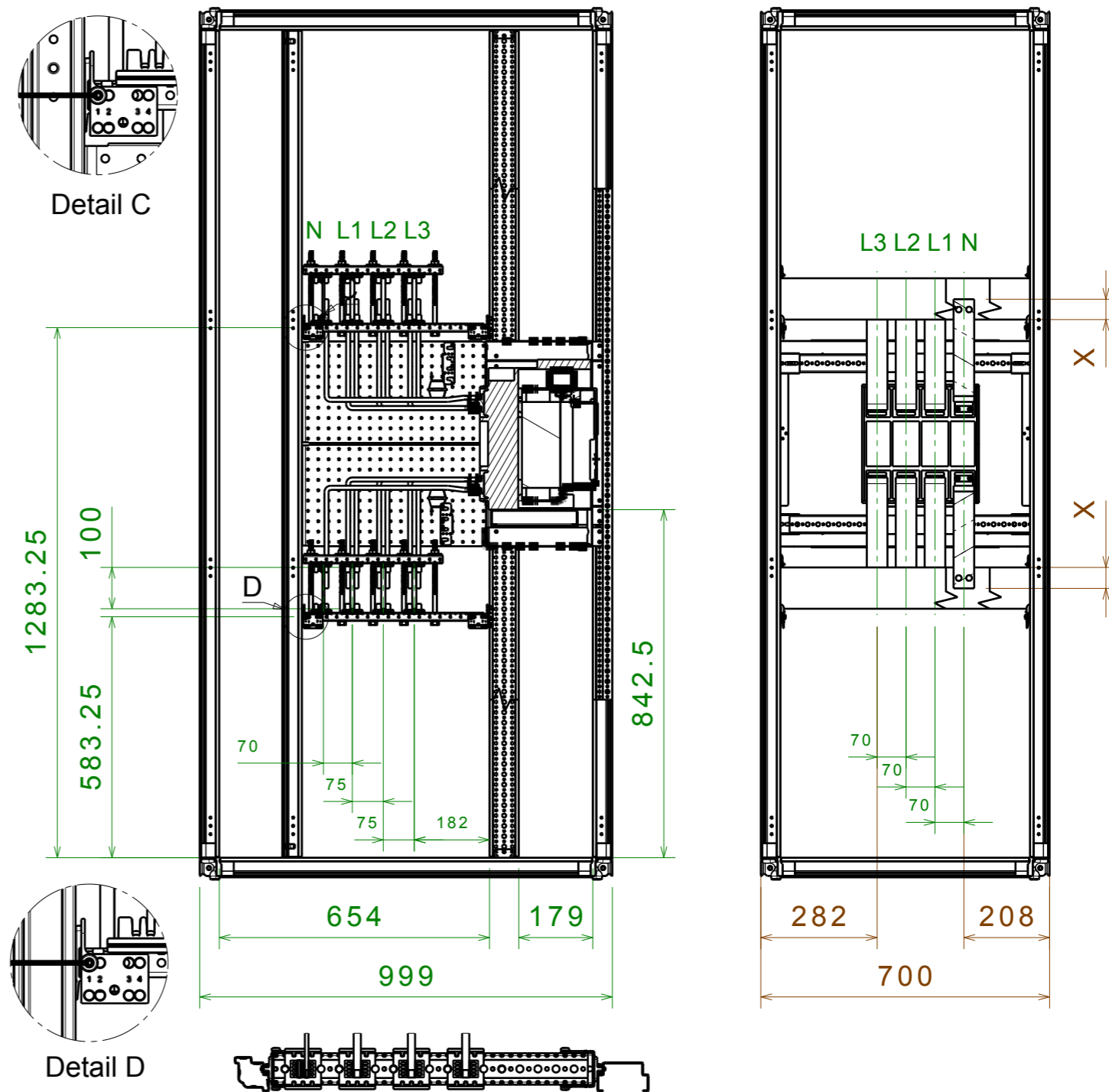
ASSEMBLY DRAWING  
E1.2 1000A/1250A/1600A W  
(COUPLER COLUMN)  $I_{cw} > 36kA$



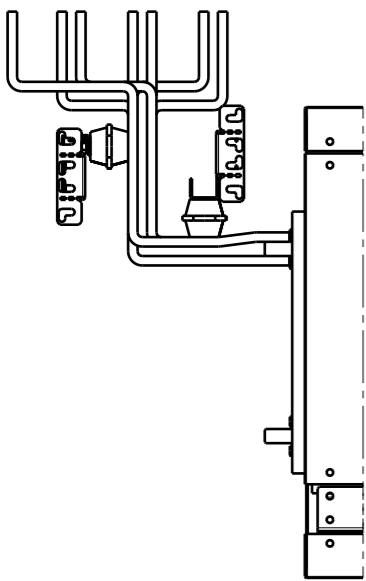
H MAIN BUSBARS				
	40	50	80	100
X	40	50	50	50

CONNECTION BUSBAR 2x50x10xP + 1x50x10xN

ASSEMBLY DRAWING  
E1.2 1000A/1250A/1600A W  
(COUPLER COLUMN)  $I_{cw} \leq 36kA$



AGG. DI SEGNO	SCALA SCALE : 1:14	N° PROGETTO : PROJECT XXX.XX
MODIFICA	DISEGNATORE DESIGNER :	
DATA	APPROVAZIONE : APPROVAL	ABB ABB SACE ADB DENOMINAZIONE/NAME: E1.2 1000A/1250A/1600A W CONNECTION BUSBARS 2x50x10xP + 1x50x10xN
	DATA DATE : xx-xx-xx	
	Formato A3 Formed	DISEGNO N° /DRAWING N° 8 6 3 7 1 2



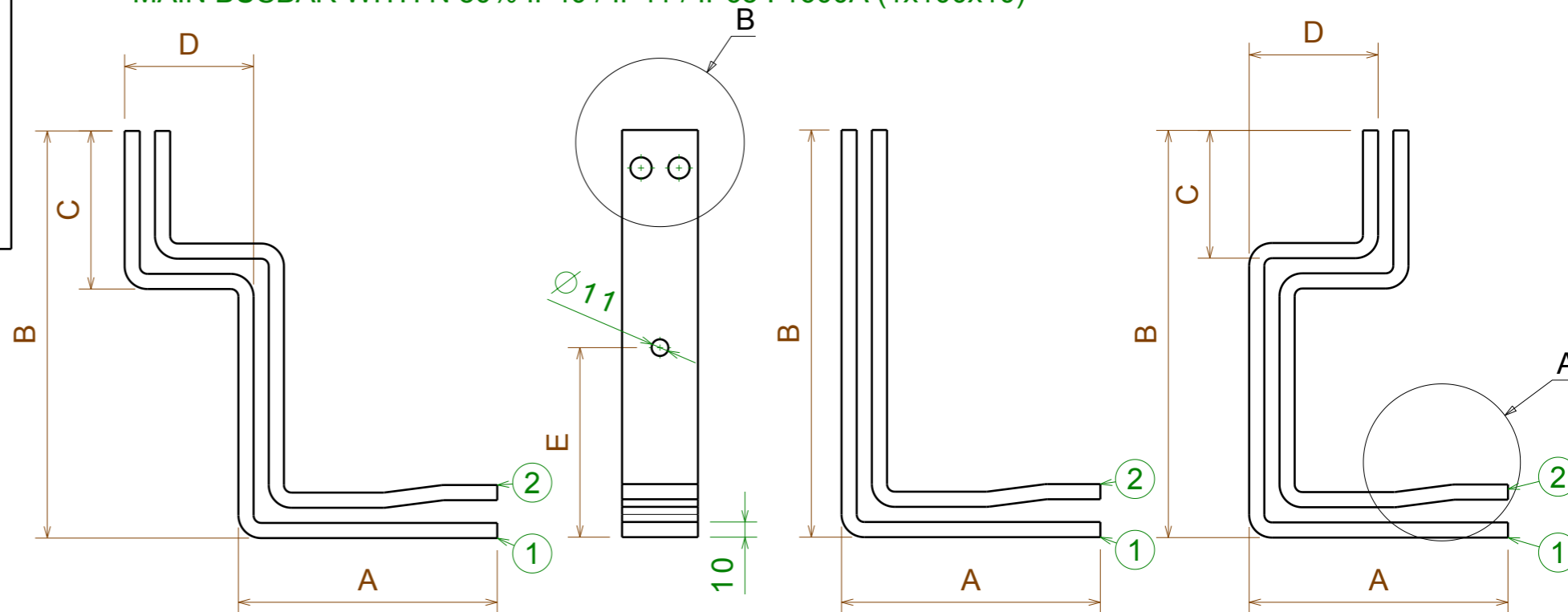
# MAIN BUSBARS UP

	B			
	H MAIN BUSBARS			
	40	50	80	100
L3.1	258.5	268.5	268.5	268.5
L3.2	238.5	248.5	248.5	248.5
L2.1	258.5	268.5	268.5	268.5
L2.2	238.5	248.5	248.5	248.5
L1.1	258.5	268.5	268.5	268.5
L1.2	238.5	248.5	248.5	248.5
N.1	-	-	-	-
N.2	238.5	248.5	248.5	248.5

# CONNECTIONS FOR E1.2 WITHDRAWABLE 1000A/1250A/1600A I<sub>cw</sub> > 36KA

SPEP P = 700mm  
 BUSBARS HOLDER PBHB1125 (50mm)

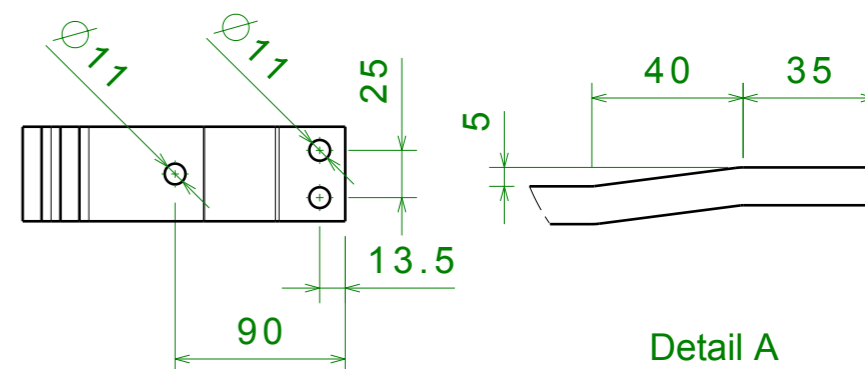
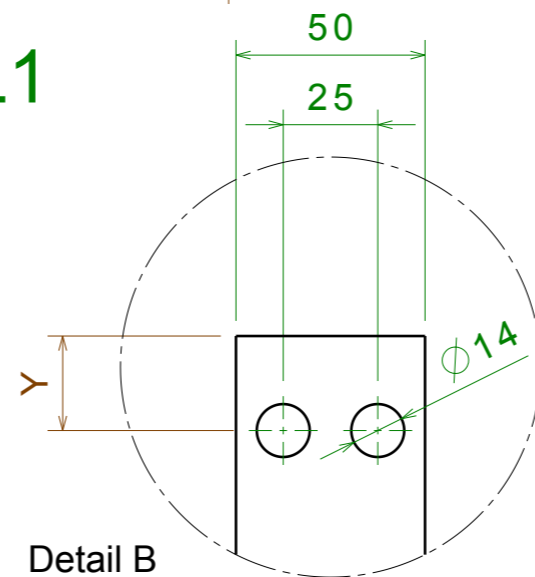
MAIN BUSBAR WITH N 50% IP30 / IP31 : 1000A (1x40x10); 1250A (1x50x10); 1600A (1x80x10)  
 MAIN BUSBAR WITH N 50% IP40 / IP41 / IP65 : 1600A (1x100x10)



## N-L1

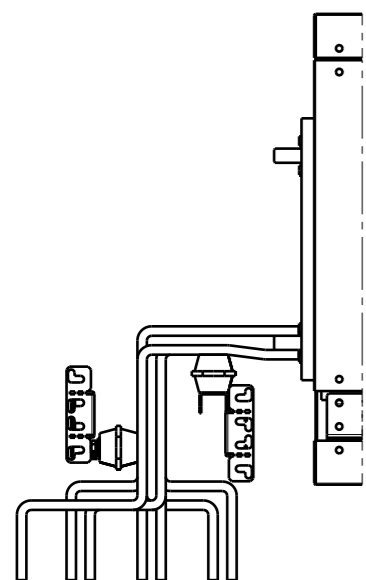
## L2

## L3



PHASE	POS	A	C	D	E	
L3	1	L3.1	170.6	84.25	85	125
	2	L3.2	150.6	104.25	85	105
L2	1	L2.1	170.6	-	-	125
	2	L2.2	150.6	-	-	105
L1	1	L1.1	170.6	104.25	85	125
	2	L1.2	150.6	84.25	85	105
N	1	N.1	-	-	-	-
	2	N.2	170.6	84.25	137.5	105

	H MAIN BUSBARS			
	40	50	80	100
Y	20	25	25	25

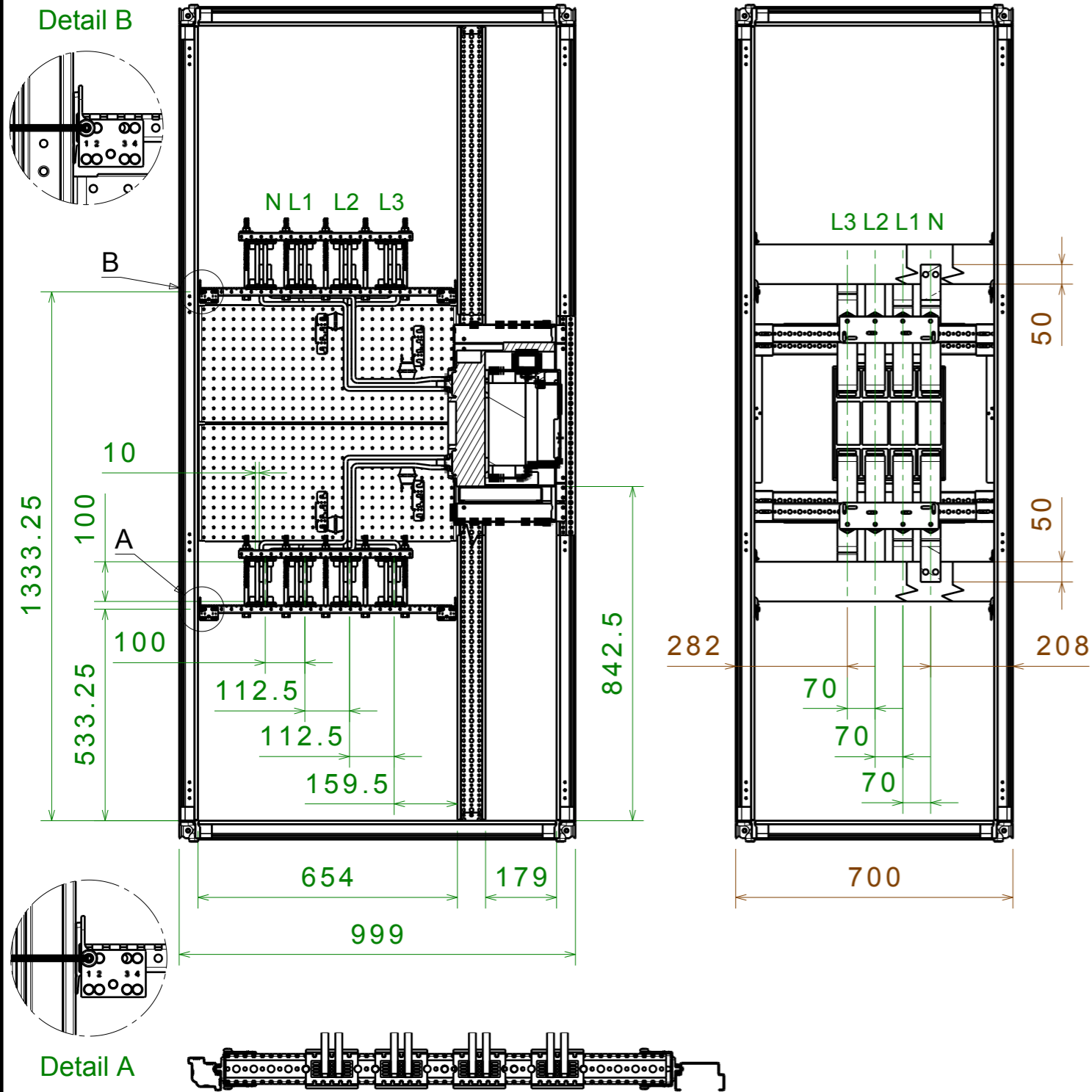


# MAIN BUSBARS DOWN

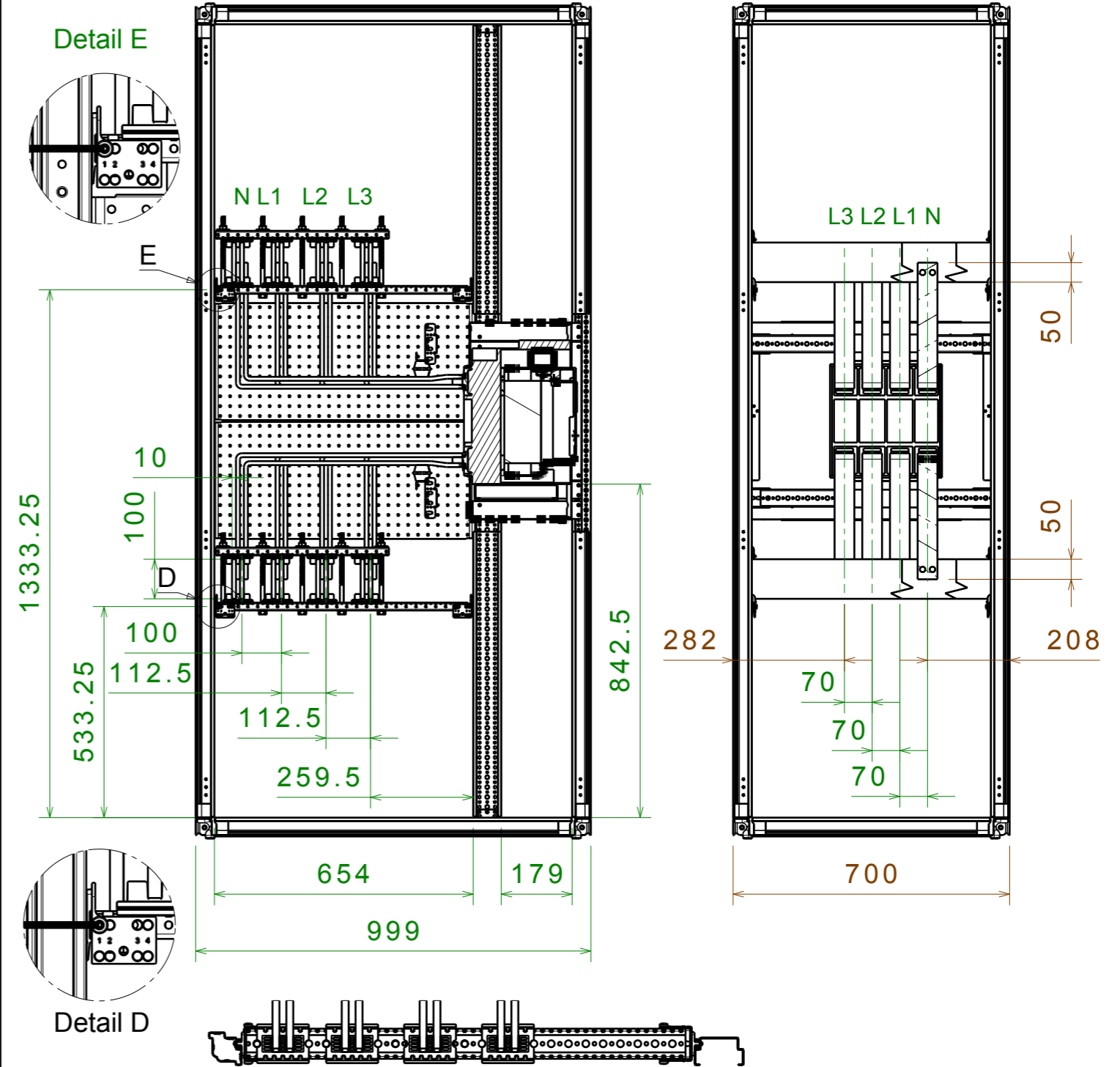
	B			
	H MAIN BUSBARS			
	40	50	80	100
L3.1	318.5	318.5	288.5	268.5
L3.2	298.5	298.5	268.5	248.5
L2.1	318.5	318.5	288.5	268.5
L2.2	298.5	298.5	268.5	248.5
L1.1	318.5	318.5	288.5	268.5
L1.2	298.5	298.5	268.5	248.5
N.1	-	-	-	-
N.2	298.5	298.5	268.5	248.5

SCALA SCALE	: 1:8	N° PROGETTO : PROJECT	XXX.XX
DISEGNATORE DESIGNER	:	ABB SACE ADB	
APPROVAZIONE APPROVAL	:	DISEGNO N° /DRAWING N°	
DATA DATE	: xx-xx-xx	E1.2 1000A/1250A/1600A W CONNECTION BUSBARS 2x50x10xP + 1x50x10xN	
FORMATO FORMED	Formato A3 Formed	8 6 3 8 2 0	

# ASSEMBLY DRAWING E1.2 1000A/1250A/1600A W Icw > 36kA



# ASSEMBLY DRAWING E1.2 1000A/1250A/1600A W Icw ≤ 36kA



CONNECTION BUSBAR 2x50x10xP

AGG. DI SEGNO	SCALA SCALE	: 1:14	N° PROGETTO : PROJECT	XXX.XX
DESIGNER	DISEGNATORE DESIGNER	:	ABB SACE ADB	
APPROVAZIONE	APPROVAZIONE	:	DENOMINAZIONE/NAME:	
DATE	DATE	: xx-xx-xx	E1.2 1000A/1250A/1600A W CONNECTION BUSBARS 2x50x10xP	
FORMATO	FORMATO	Formato A3 Formed	DISEGNO N° /DRAWING N°	
			8 6 3 7 1 5	

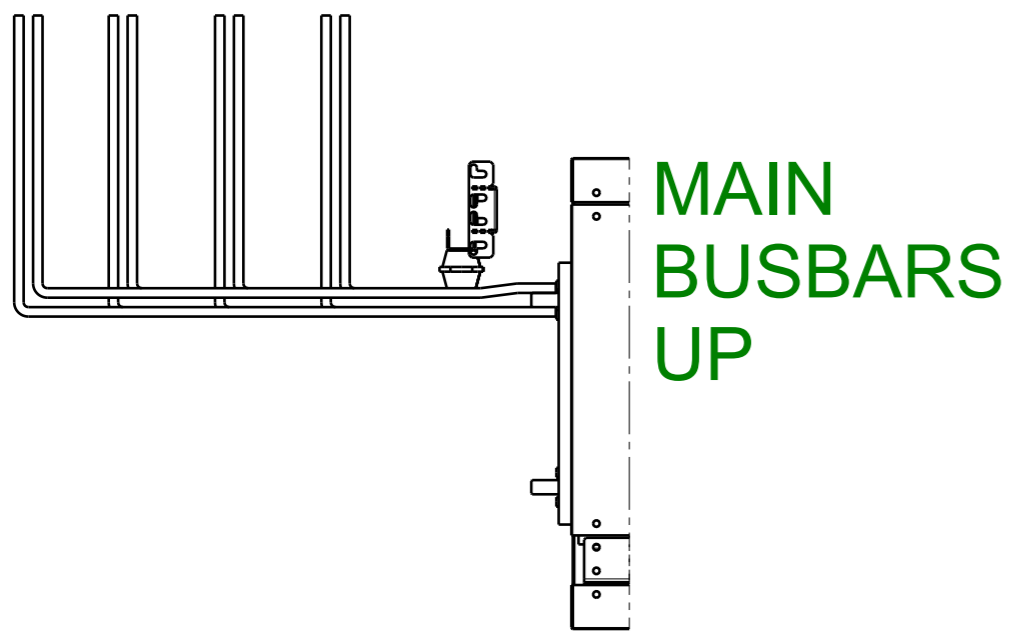
# CONNECTIONS FOR E1.2 WITHDRAWABLE 1000A/1250A/1600A Icw ≤ 36KA

SPEP P = 900mm

BUSBARS HOLDER PBHB2145 (75mm)

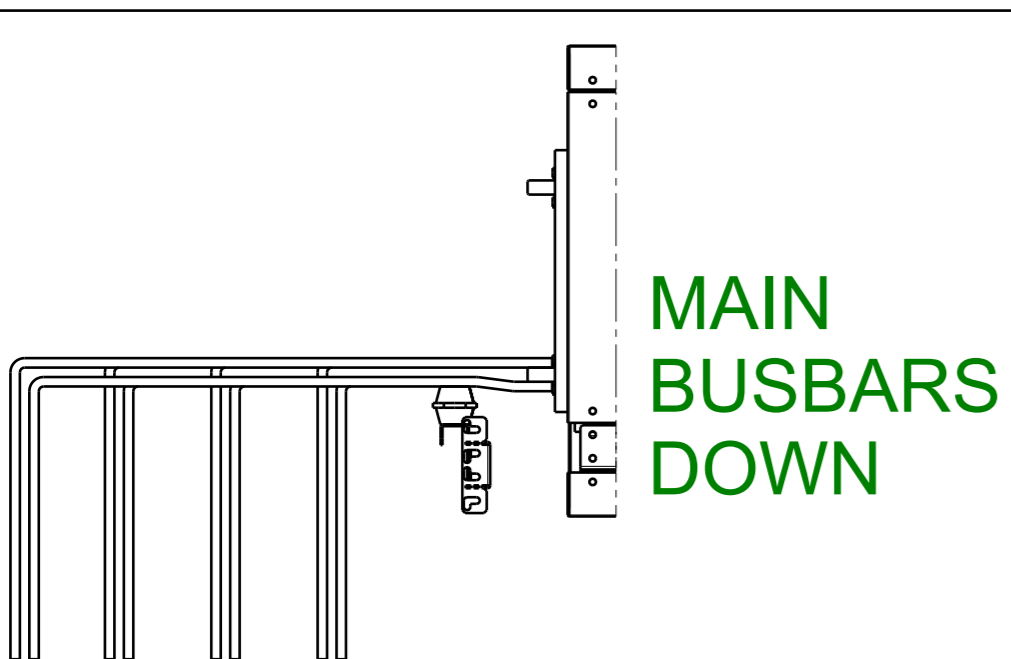
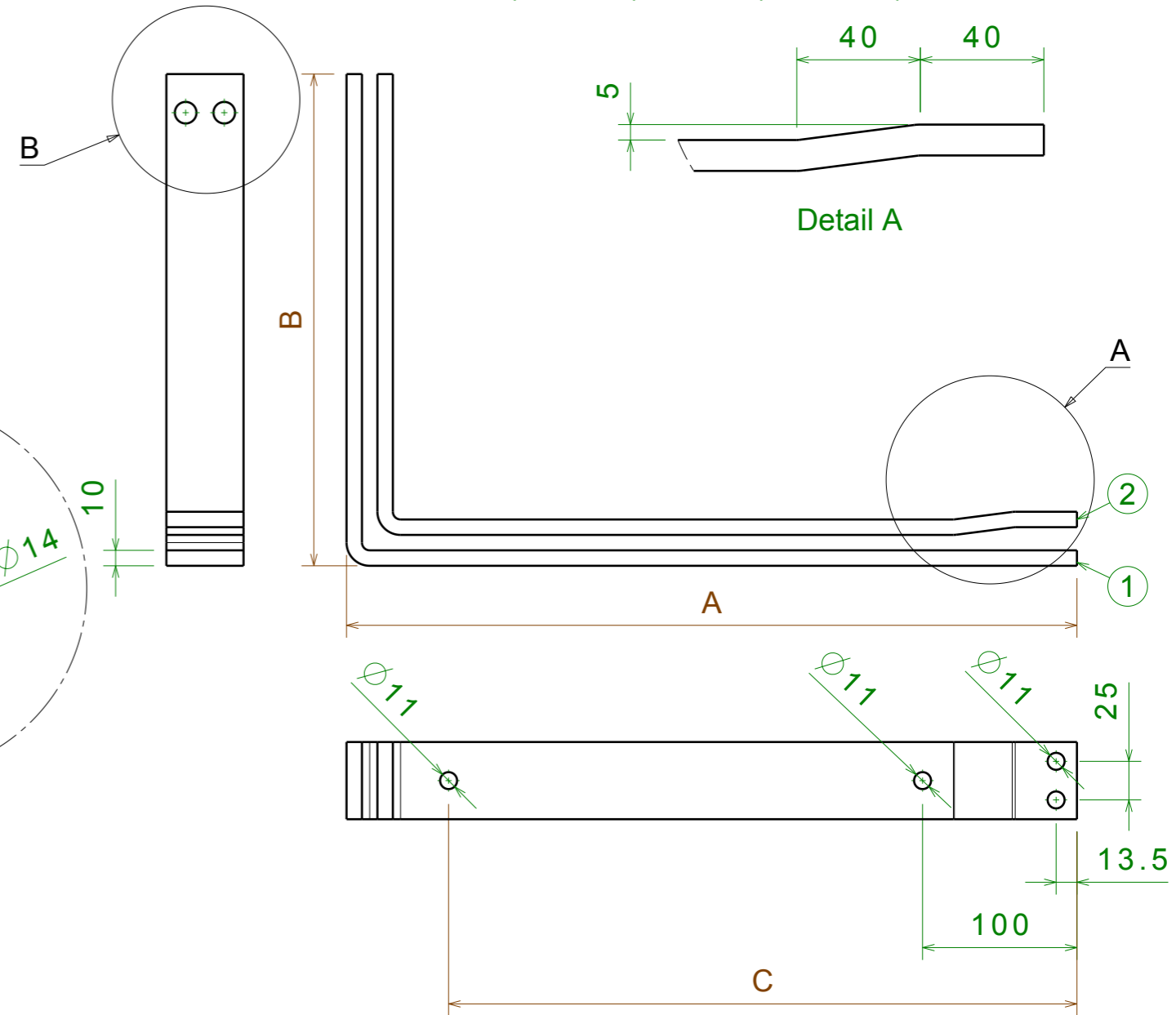
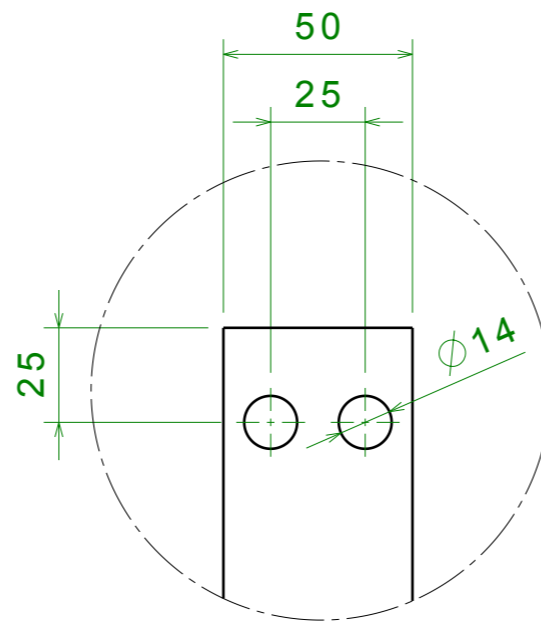
MAIN BUSBAR IP30 / IP31 : 2000A (2x50x10); 2500A (2x80x10); 3200A (2x100x10)

MAIN BUSBAR IP40 / IP41 / IP65 : 2000A (2x60x10); 2500A (2x100x10);



	B			
	H MAIN BUSBARS			
	50	60	80	100
L3.1	318.5	318.5	318.5	318.5
L3.2	298.5	298.5	298.5	298.5
L2.1	318.5	318.5	318.5	318.5
L2.2	298.5	298.5	298.5	298.5
L1.1	318.5	318.5	318.5	318.5
L1.2	298.5	298.5	298.5	298.5
N.1	318.5	318.5	318.5	318.5
N.2	298.5	298.5	298.5	298.5

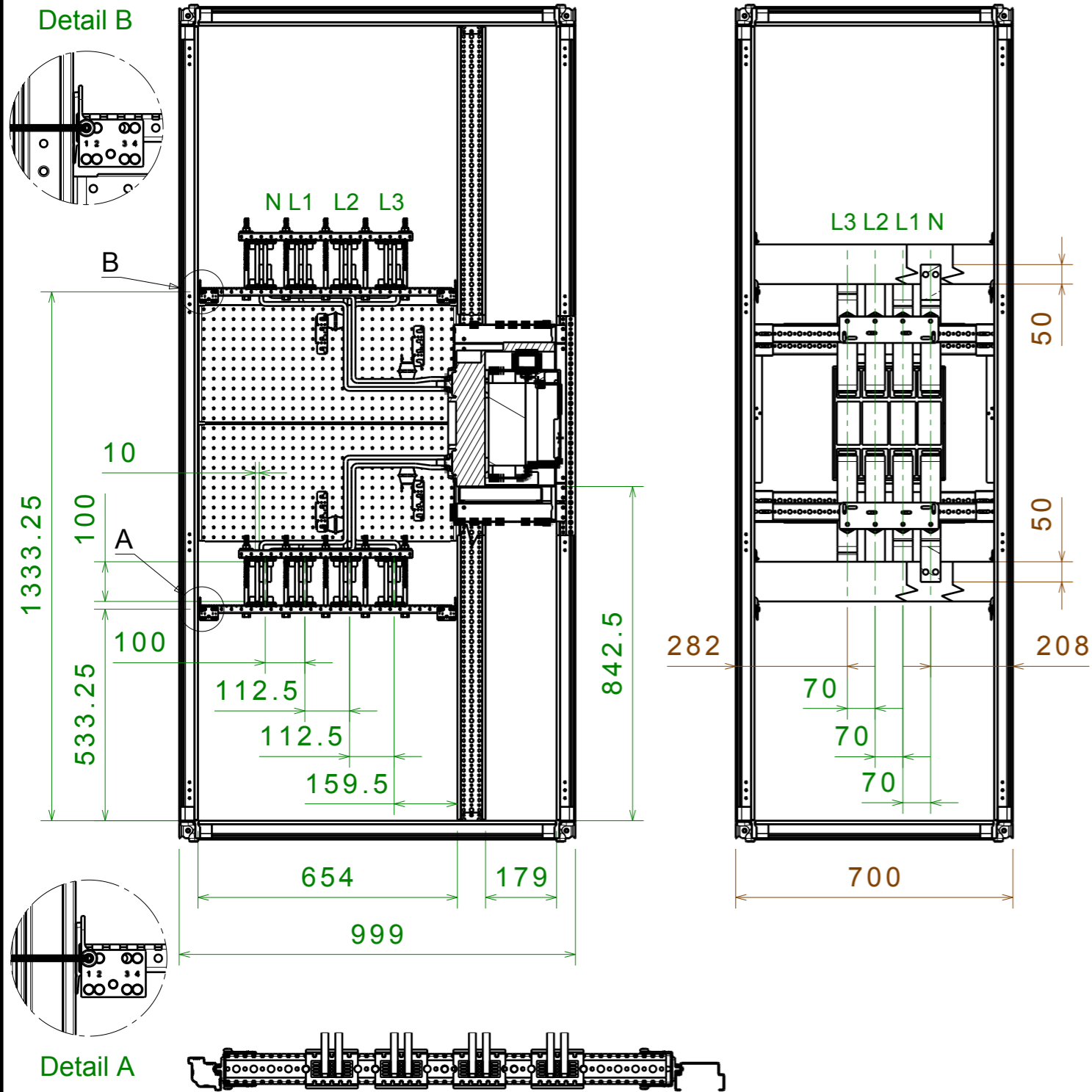
PHASE	POS		A	C
L3	1	L3.1	248.1	-
	2	L3.2	228.1	-
L2	1	L2.1	260.6	-
	2	L2.2	240.6	-
L1	1	L1.1	473.1	407
	2	L1.2	453.1	407
N	1	N.1	573.1	407
	2	N.2	553.1	407



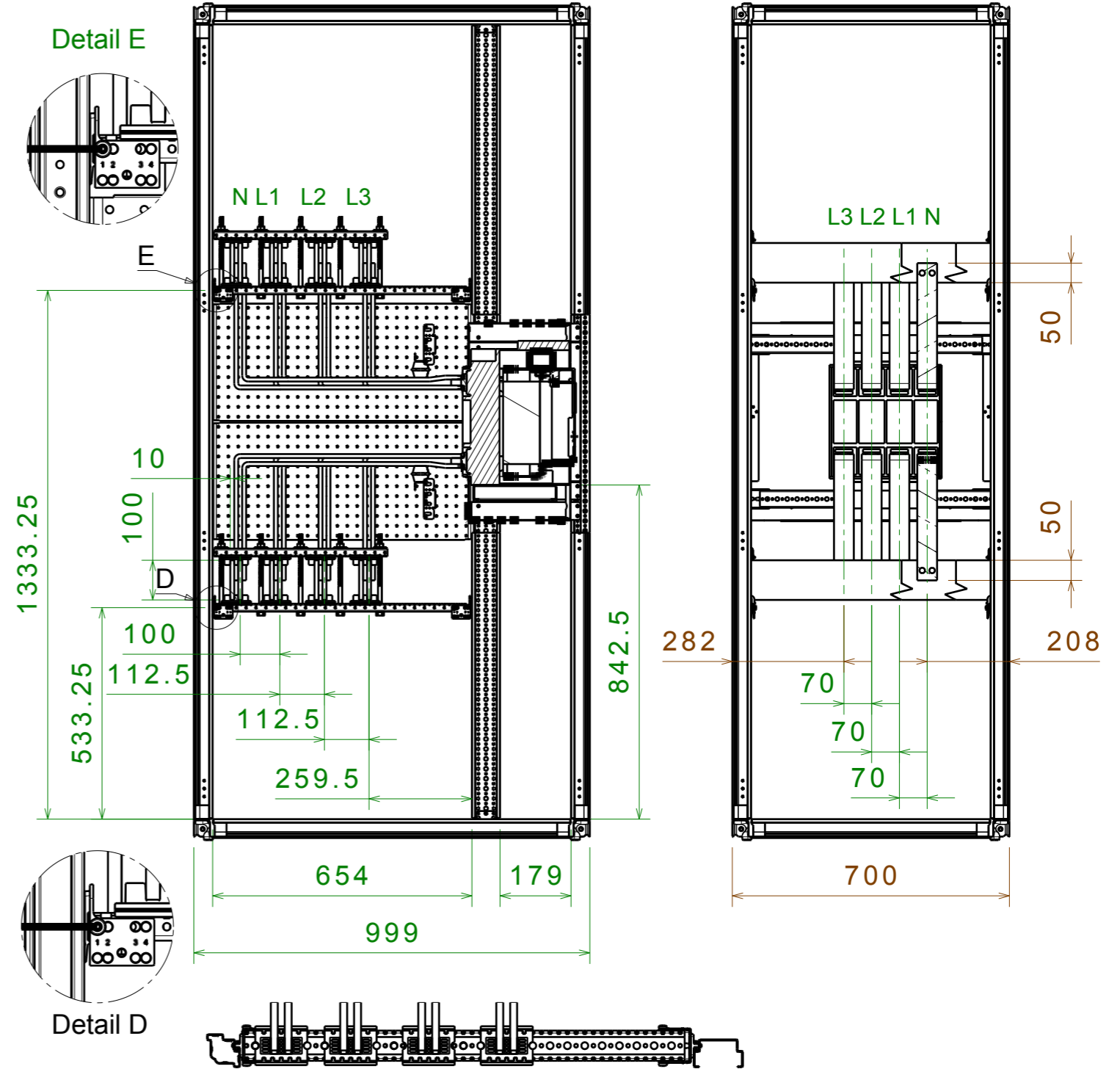
	B			
	H MAIN BUSBARS			
	50	60	80	100
L3.1	368.5	358.5	338.5	318.5
L3.2	348.5	338.5	318.5	298.5
L2.1	368.5	358.5	338.5	318.5
L2.2	348.5	338.5	318.5	298.5
L1.1	368.5	358.5	338.5	318.5
L1.2	348.5	338.5	318.5	298.5
N.1	368.5	358.5	338.5	318.5
N.2	348.5	338.5	318.5	298.5

SCALA SCALE	: 1:4	N° PROGETTO : PROJECT	XXX.XX
DISEGNATORE DESIGNER	:	<b>ABB SACE ADB</b>	
APPROVAZIONE : APPROVAL	:	DISEGNO N° /DRAWING N°	
DATA DATE	: xx-xx-xx	E1.2 1000A/1250A/1600A W CONNECTION BUSBARS 2x50x10xP_L	
FORMATO FORMED	Formato A3 Formed	8 6 3 7 1 3	

# ASSEMBLY DRAWING E1.2 1000A/1250A/1600A W Icw > 36kA

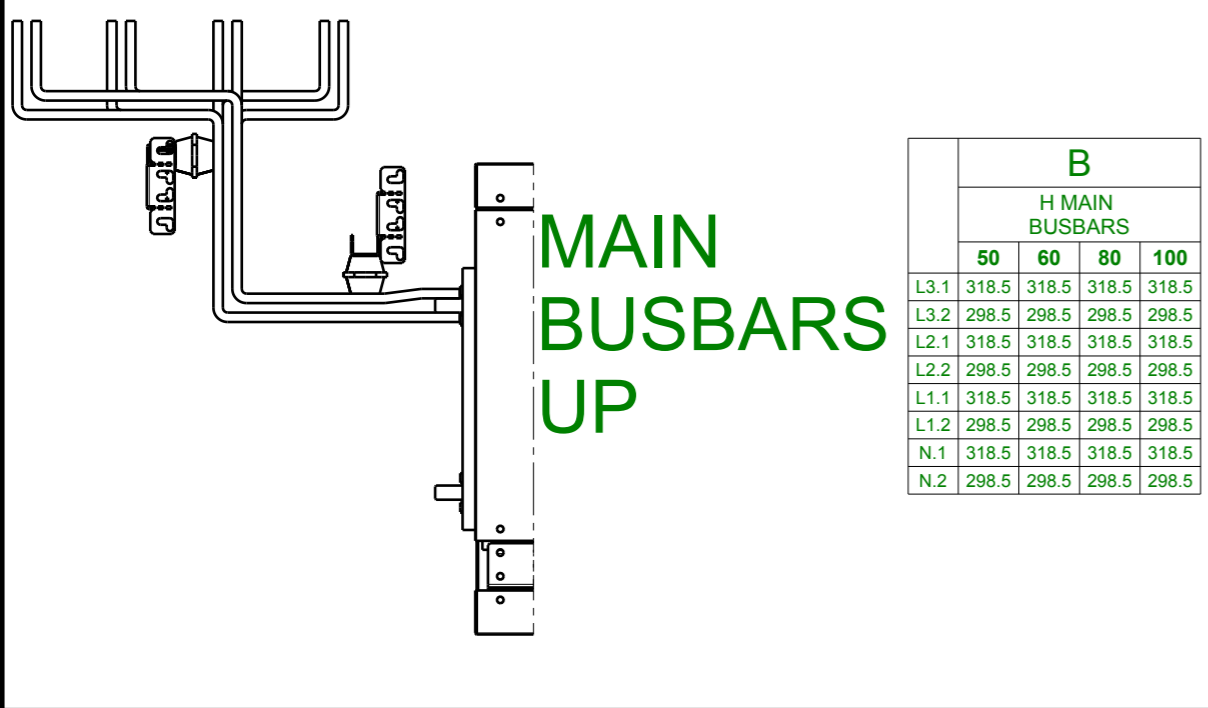


# ASSEMBLY DRAWING E1.2 1000A/1250A/1600A W Icw ≤ 36kA



CONNECTION BUSBAR 2x50x10xP

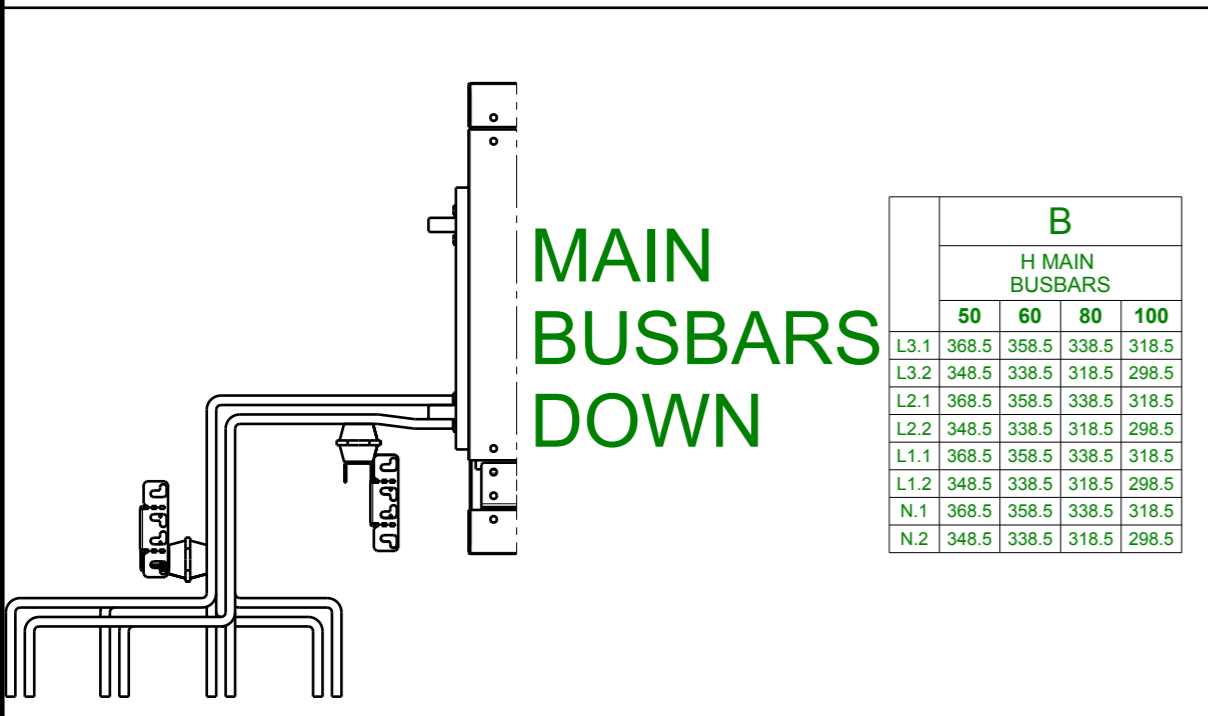
AGG. DI SEGNO	SCALA SCALE : 1:14	N° PROGETTO : PROJECT XXX.XX
DISEGNATORE DESIGNER		
MODIFICA	APPROVAZIONE : APPROVAL	<b>ABB</b> <b>ABB SACE ADB</b> DENOMINAZIONE/NAME: E1.2 1000A/1250A/1600A W CONNECTION BUSBARS 2x50x10xP
DATA	DATA DATE : xx-xx-xx	
	Formato A3 Formed	DISEGNO N° /DRAWING N° 8 6 3 7 1 5



**MAIN  
BUSBARS  
UP**

	B			
	H MAIN BUSBARS			
	50	60	80	100
L3.1	318.5	318.5	318.5	318.5
L3.2	298.5	298.5	298.5	298.5
L2.1	318.5	318.5	318.5	318.5
L2.2	298.5	298.5	298.5	298.5
L1.1	318.5	318.5	318.5	318.5
L1.2	298.5	298.5	298.5	298.5
N.1	318.5	318.5	318.5	318.5
N.2	298.5	298.5	298.5	298.5

PHASE	POS	A	C	D	E	
L3	1	L3.1	260.6	84.25	122.5	175
	2	L3.2	240.6	104.25	122.5	155
L2	1	L2.1	260.6	-	-	175
	2	L2.2	240.6	-	-	155
L1	1	L1.1	260.6	104.25	122.5	175
	2	L1.2	240.6	84.25	122.5	155
N	1	N.1	260.6	104.25	222.5	175
	2	N.2	240.6	84.25	222.5	155



**MAIN  
BUSBARS  
DOWN**

	B			
	H MAIN BUSBARS			
	50	60	80	100
L3.1	368.5	358.5	338.5	318.5
L3.2	348.5	338.5	318.5	298.5
L2.1	368.5	358.5	338.5	318.5
L2.2	348.5	338.5	318.5	298.5
L1.1	368.5	358.5	338.5	318.5
L1.2	348.5	338.5	318.5	298.5
N.1	368.5	358.5	338.5	318.5
N.2	348.5	338.5	318.5	298.5

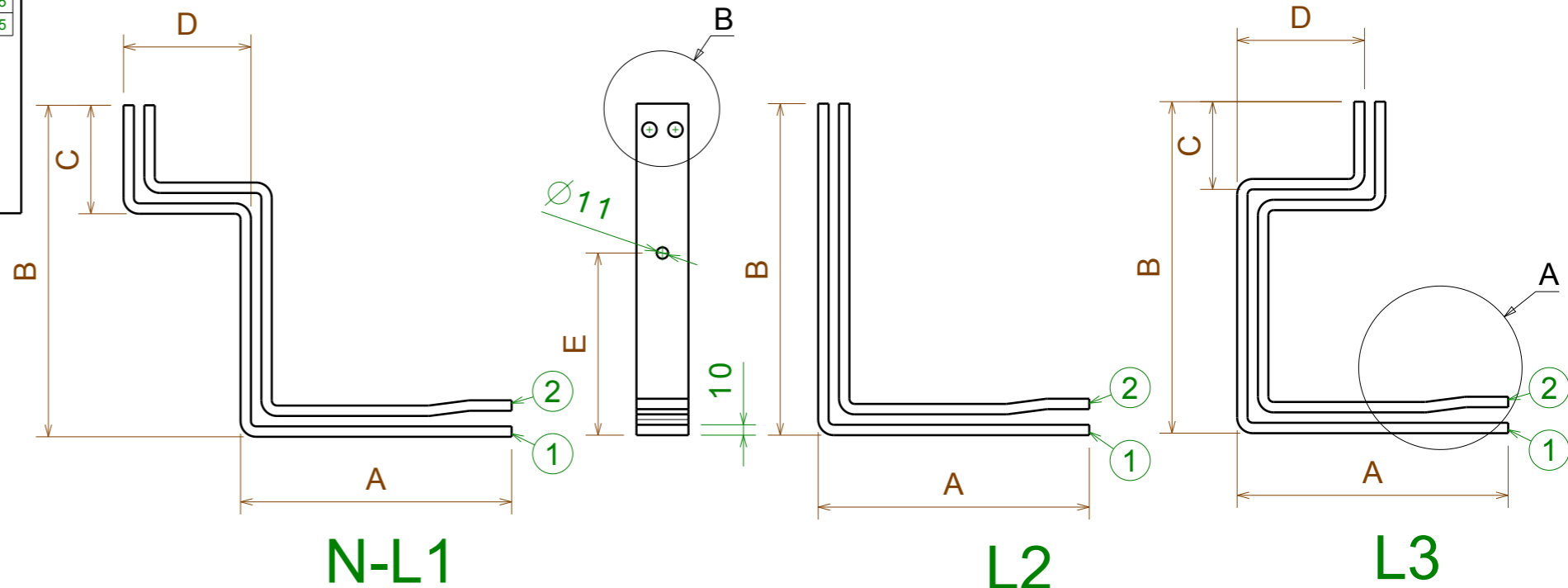
# CONNECTIONS FOR E1.2 WITHDRAWABLE 1000A/1250A/1600A I<sub>cw</sub> > 36KA

SPEP P = 900mm

BUSBARS HOLDER PBHB2145 (75mm)

MAIN BUSBAR IP30 / IP31 : 2000A (2x50x10); 2500A (2x80x10); 3200A (2x100x10)

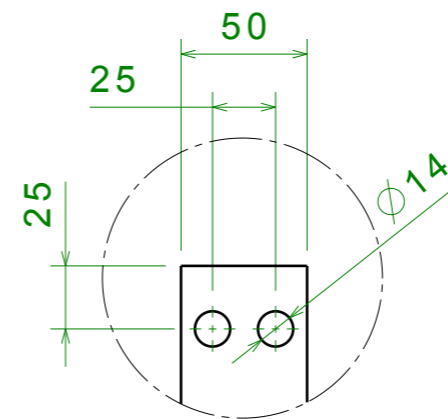
MAIN BUSBAR IP40 / IP41 / IP65 : 2000A (2x60x10); 2500A (2x100x10);



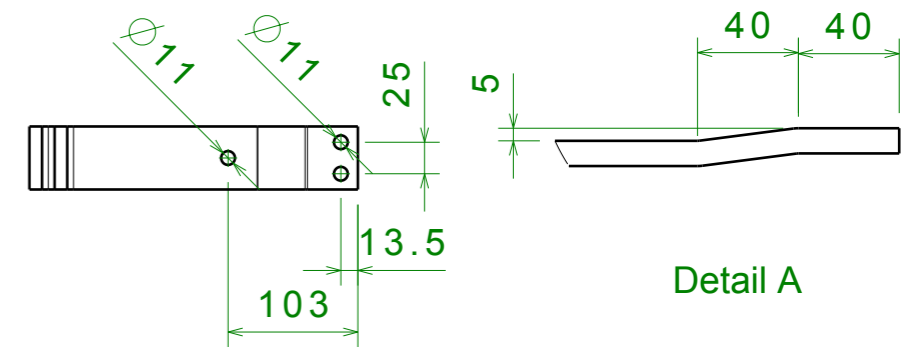
**N-L1**

**L2**

**L3**



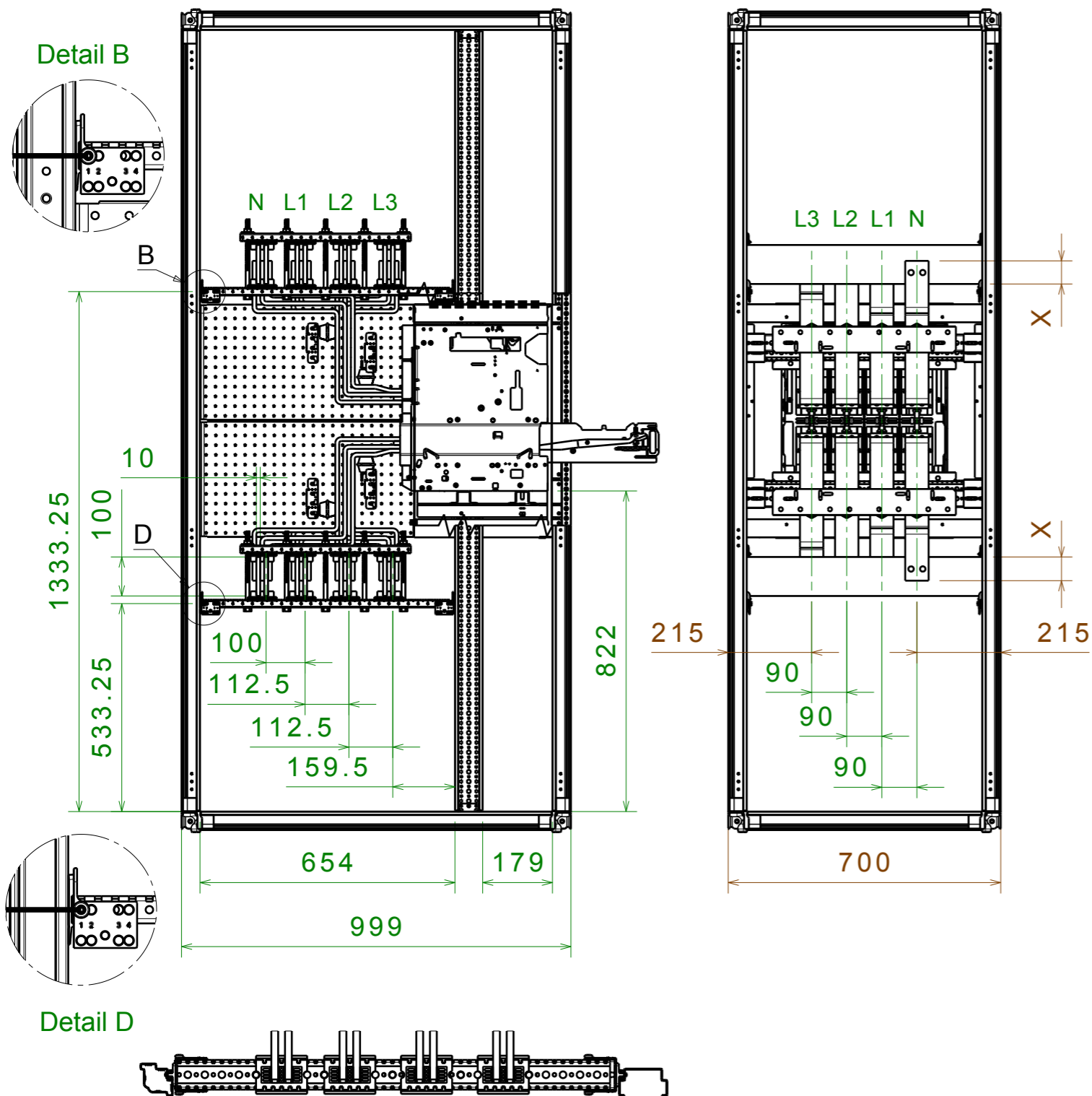
Detail B



Detail A

SCALA SCALE	: 1:8	N° PROGETTO : PROJECT	XXX.XX
DISEGNATORE DESIGNER	:	ABB SACE ADB	
APPROVAZIONE APPROVAL	:	DISEGNO N° /DRAWING N°	
DATA DATE	: xx-xx-xx	E1.2 1000A/1250A/1600A W CONNECTION BUSBARS 2x50x10xP	
FORMATO FORMED	Formato A3 Formed	8 6 3 7 1 4	

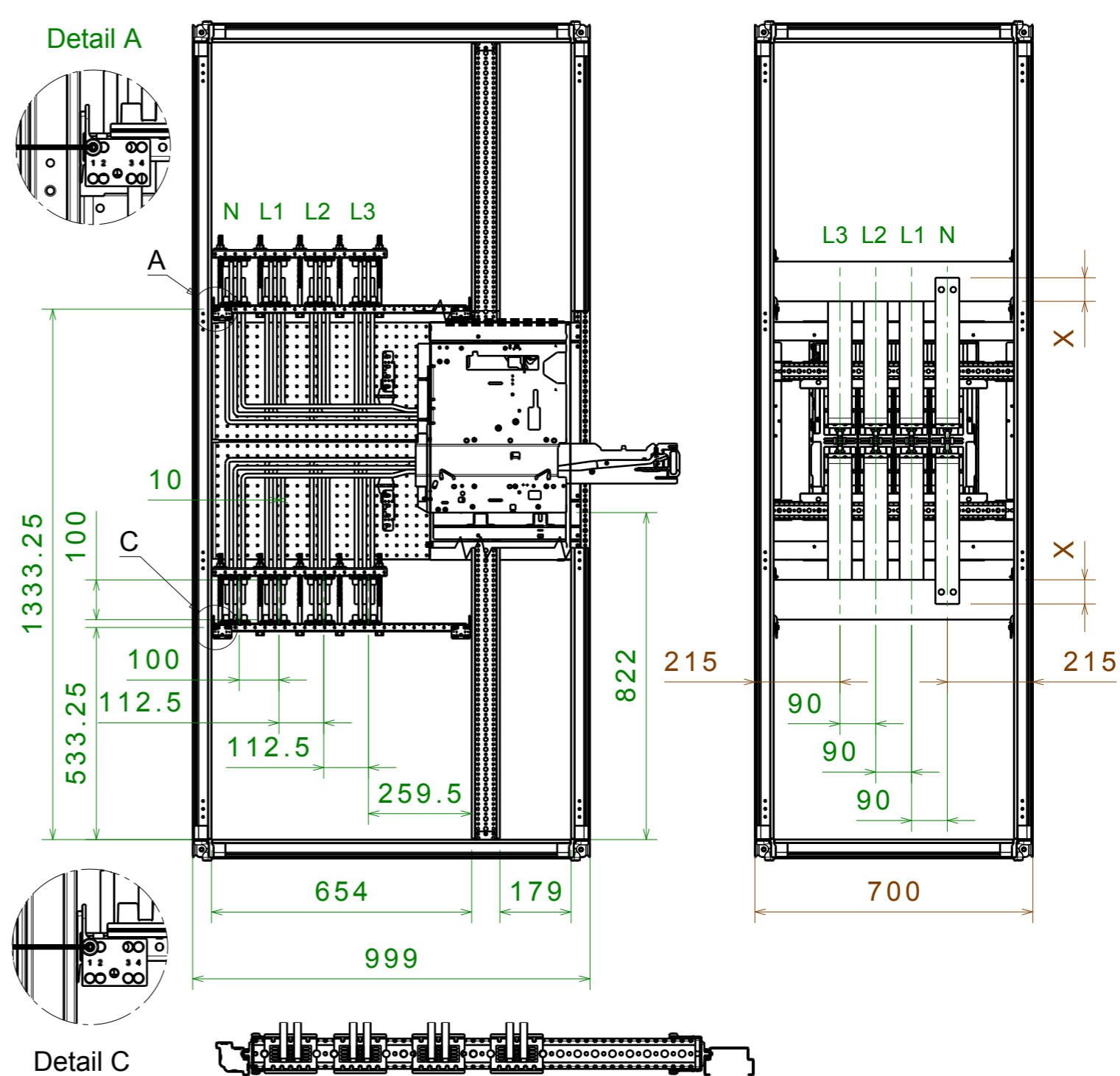
# ASSEMBLY DRAWING E2.2 2000A W $I_{cw} > 36KA$



H MAIN BUSBARS				
	50	60	80	100
X	50	60	60	60

## CONNECTION BUSBARS 3x60x10xP

# ASSEMBLY DRAWING E2.2 2000A W $I_{cw} \leq 36KA$



AGG. DI SEGNO	SCALA SCALE	: 1:14
MODIFICA	DISEGNATORE DESIGNER	:
DATA	APPROVAZIONE APPROVAL	:
	DATA DATE	: xx-xx-xx
		Formato A3 Formed

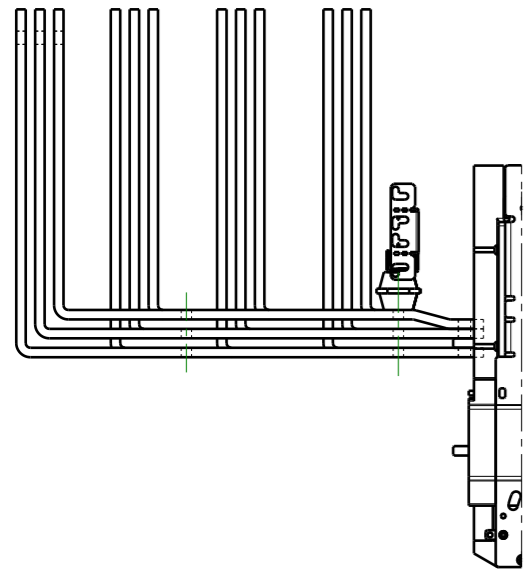
N° PROGETTO PROJECT	XXX.XX
<b>ABB</b> ABB SACE ADB	
DENOMINAZIONE/NAME: E2.2 2000A W CONNECTION BUSBARS 3x60x10xP	

DISEGNO N° /DRAWING N°	
8 6 3 6 8 9	

# CONNECTIONS FOR E2.2 WITHDRAWABLE 2000A Icw ≤ 36KA

SPEP P=900mm  
BUSBARS HOLDER PBHB2145 (75mm)

MAIN BUSBARS IP30 / IP31 : 2000A (2x50x10); 2500A (2x80x10); 3200A (2x100x10)  
MAIN BUSBARS IP40 / IP41 / IP65 : 2000A (2x60x10); 2500A (2x100x10)

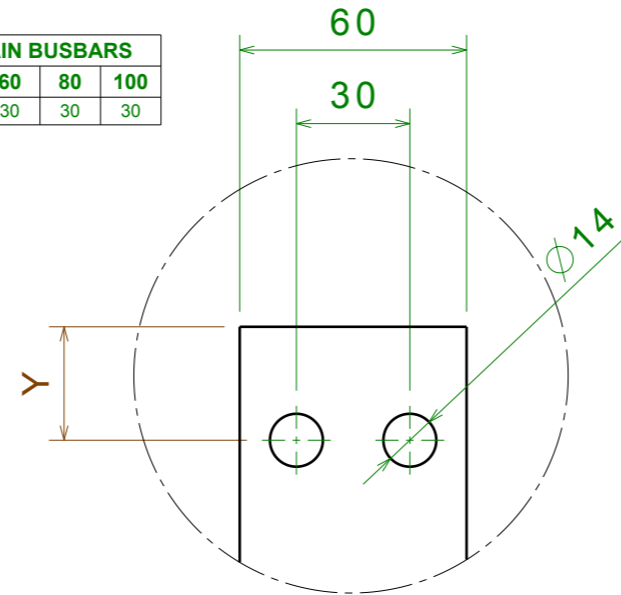


**MAIN  
BUSBARS  
UP**

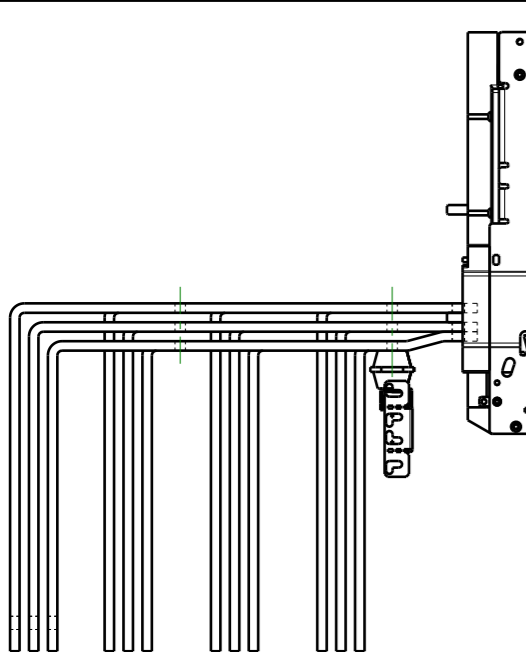
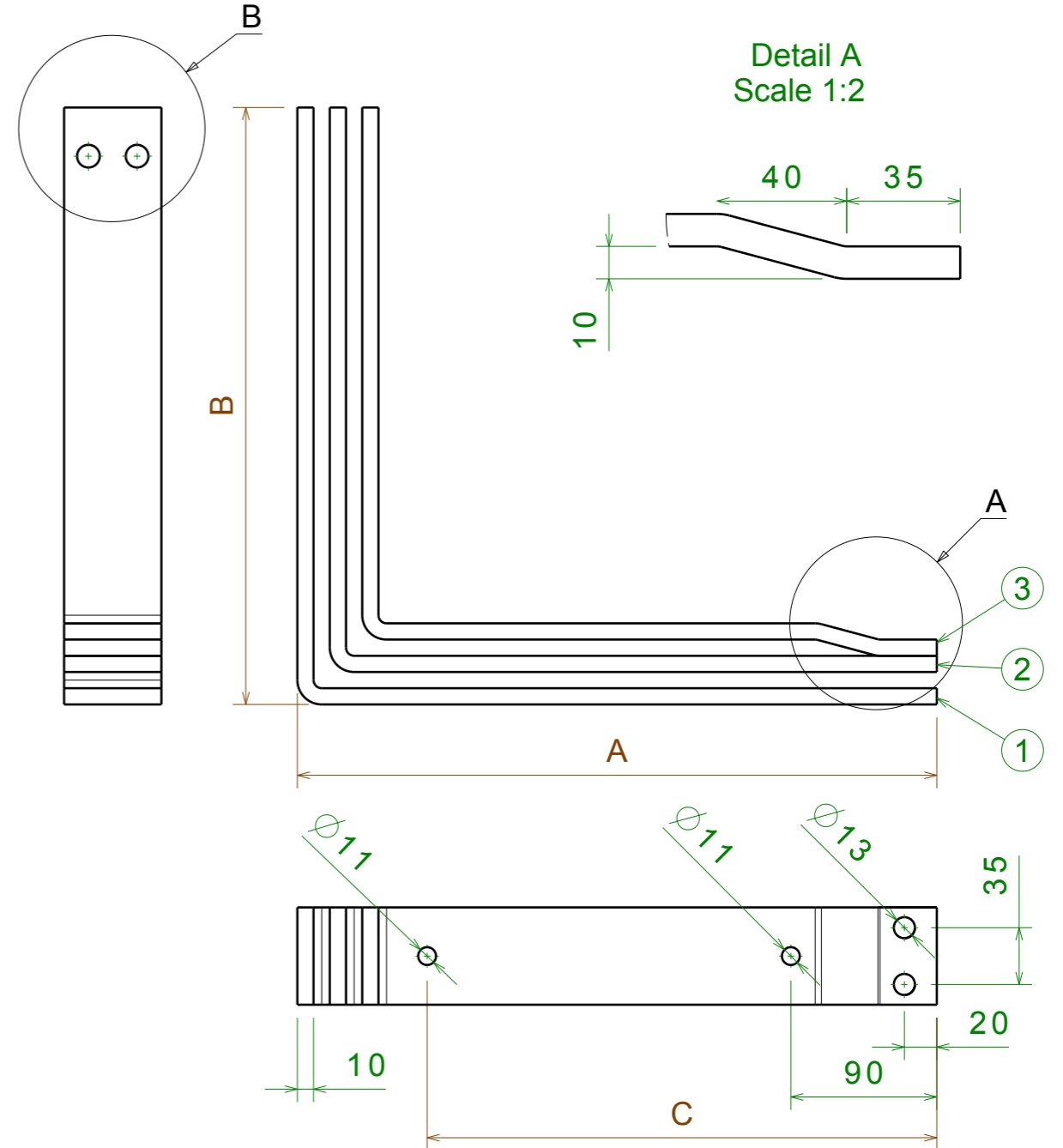
	B			
	H MAIN BUSBARS			
	50	60	80	100
L3.1	358	368	368	368
L3.2	338	348	348	348
L3.3	328	338	338	338
L2.1	358	368	368	368
L2.2	338	348	348	348
L2.3	328	338	338	338
L1.1	358	368	368	368
L1.2	338	348	348	348
L1.3	328	338	338	338
N.1	358	368	368	368
N.2	338	348	348	348
N.3	328	338	338	338

PHASE	POS	A	C
L3	1	L3.1	169.25
	2	L3.2	149.25
	3	L3.3	129.25
L2	1	L2.1	381.75
	2	L2.2	261.75
	3	L2.3	241.75
L1	1	L1.1	494.25
	2	L1.2	374.25
	3	L1.3	354.25
N	1	N.1	494.25
	2	N.2	474.25
	3	N.3	454.25

H MAIN BUSBARS				
	50	60	80	100
Y	25	30	30	30



Detail B



**MAIN  
BUSBARS  
DOWN**

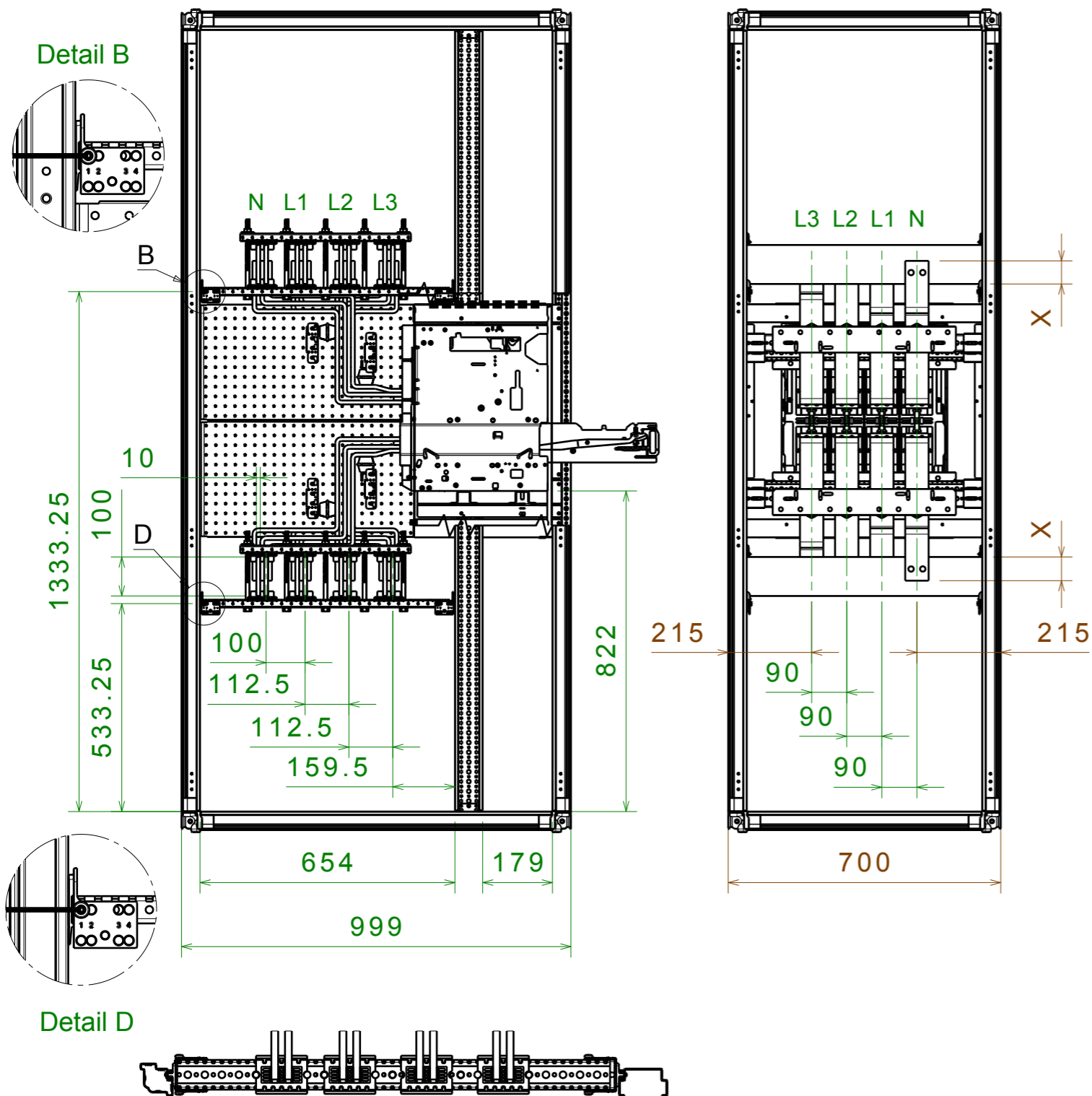
	B			
	H MAIN BUSBARS			
	50	60	80	100
L3.1	408	408	388	368
L3.2	388	388	368	348
L3.3	378	378	358	338
L2.1	408	408	388	368
L2.2	388	388	368	348
L2.3	378	378	358	338
L1.1	408	408	388	368
L1.2	388	388	368	348
L1.3	378	378	358	338
N.1	408	408	388	368
N.2	388	388	368	348
N.3	378	378	358	338

AGG. DI SEGNO	SCALA SCALE : 1:8	N° PROGETTO / PROJECT : XXX.XX
DISEGNATORE / DESIGNER	APPROVAZIONE / APPROVAL	<b>ABB</b> <b>ABB SACE ADB</b>
MODIFICA	DATA DATE : xx-xx-xx	DENOMINAZIONE/NAME : E2.2 2000A W CONNECTION BUSBARS 3x60x10xP_L
DATA	Formato A3 Formed	DISEGNO N° / DRAWING N° : 8 6 3 6 9 0

Questo disegno e' di esclusiva proprieta' di ABB SACE ADB. Ne e' vietata la riproduzione a termini di legge.



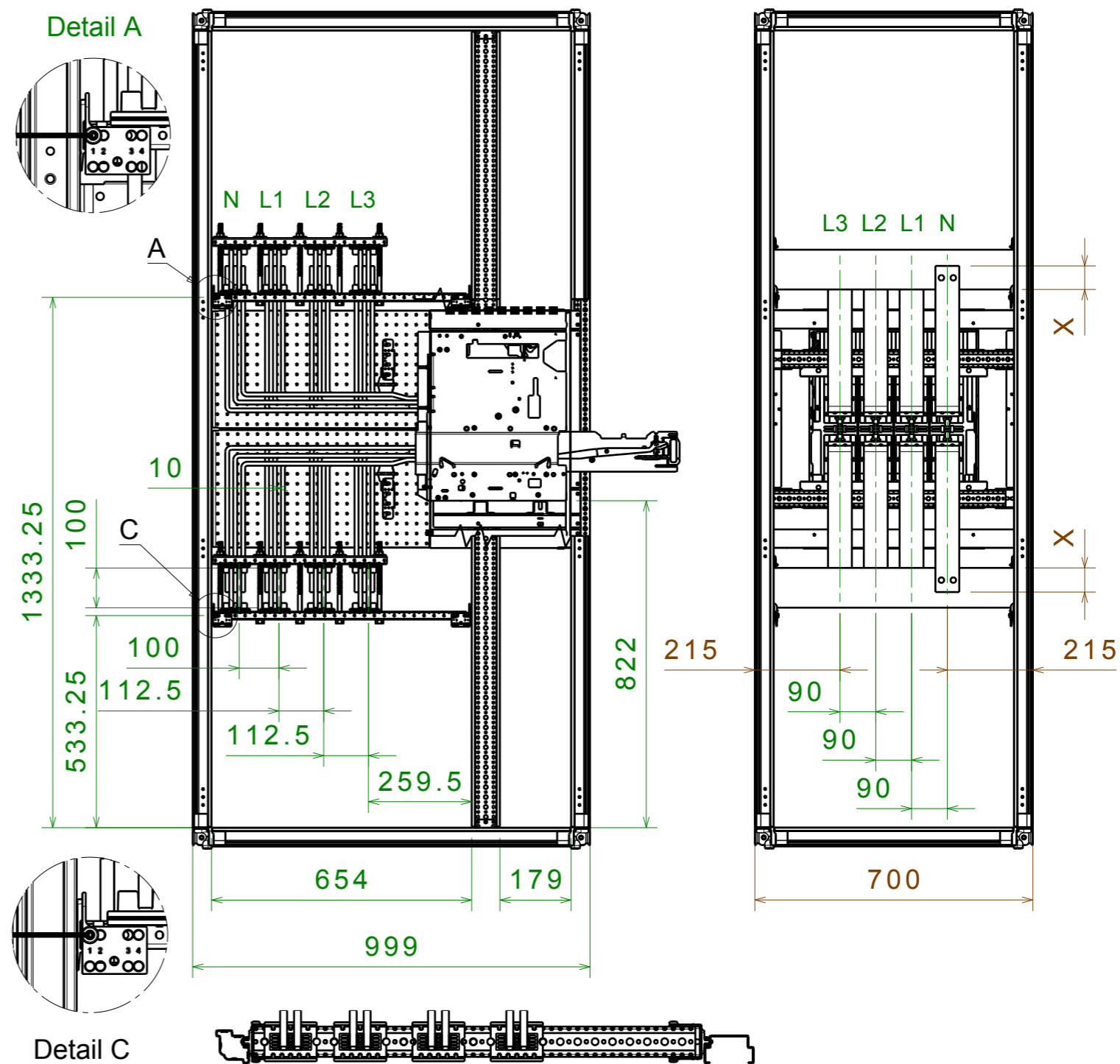
# ASSEMBLY DRAWING E2.2 2000A W $I_{cw} > 36KA$



H MAIN BUSBARS				
	50	60	80	100
X	50	60	60	60

## CONNECTION BUSBARS 3x60x10xP

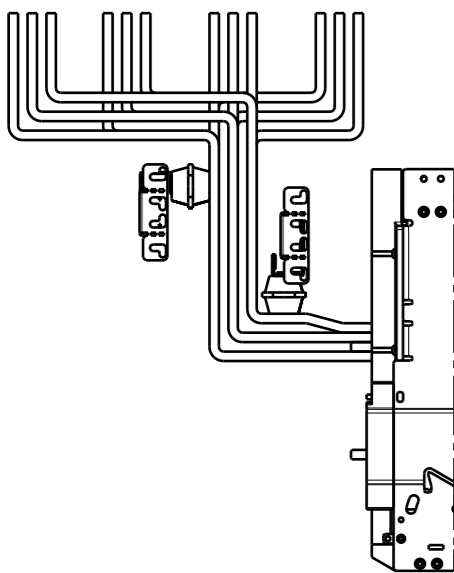
# ASSEMBLY DRAWING E2.2 2000A W $I_{cw} \leq 36KA$



AGG. DI SEGNO	SCALA SCALE	: 1:14
DESIGNER	DISEGNATORE	:
APPROVAZIONE	APPROVAL	:
DATA	DATE	: xx-xx-xx
FORMATO	Formato A3 Formed	

N° PROGETTO	PROJECT	XXX.XX
<b>ABB SACE ADB</b>		
DENOMINAZIONE/NAME:		
E2.2 2000A W CONNECTION BUSBARS 3x60x10xP		

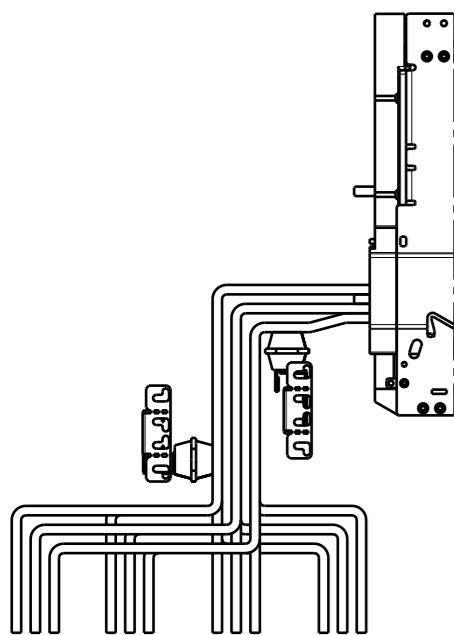
DISEGNO N° /DRAWING N°				
8	6	3	6	8
9				



**MAIN  
BUSBARS  
UP**

	B			
	H MAIN BUSBARS			
	50	60	80	100
L3.1	358	368	368	368
L3.2	338	348	348	348
L3.3	328	338	338	338
L2.1	358	368	368	368
L2.2	338	348	348	348
L2.3	328	338	338	338
L1.1	358	368	368	368
L1.2	338	348	348	348
L1.3	328	338	338	338
N.1	358	368	368	368
N.2	338	348	348	348
N.3	328	338	338	338

PHASE	POS	A	C	D	E	
L3	1	L3.1	181.75	94.25	122.5	185
	2	L3.2	161.75	114.25	122.5	165
	3	L3.3	141.75	134.25	122.5	155
L2	1	L2.1	181.75	-	-	185
	2	L2.2	161.75	-	-	165
	3	L2.3	141.75	-	-	155
L1	1	L1.1	181.75	134.25	122.5	185
	2	L1.2	161.75	114.25	122.5	165
	3	L1.3	141.75	94.25	122.5	155
N	1	N.1	181.75	134.25	222.5	185
	2	N.2	161.75	114.25	222.5	165
	3	N.3	141.75	94.25	222.5	155



**MAIN  
BUSBARS  
DOWN**

	B			
	H MAIN BUSBARS			
	50	60	80	100
L3.1	408	408	388	368
L3.2	388	388	368	348
L3.3	378	378	358	338
L2.1	408	408	388	368
L2.2	388	388	368	348
L2.3	378	378	358	338
L1.1	408	408	388	368
L1.2	388	388	368	348
L1.3	378	378	358	338
N.1	408	408	388	368
N.2	388	388	368	348
N.3	378	378	358	338

# CONNECTIONS FOR E2.2 WITHDRAWABLE 2000A

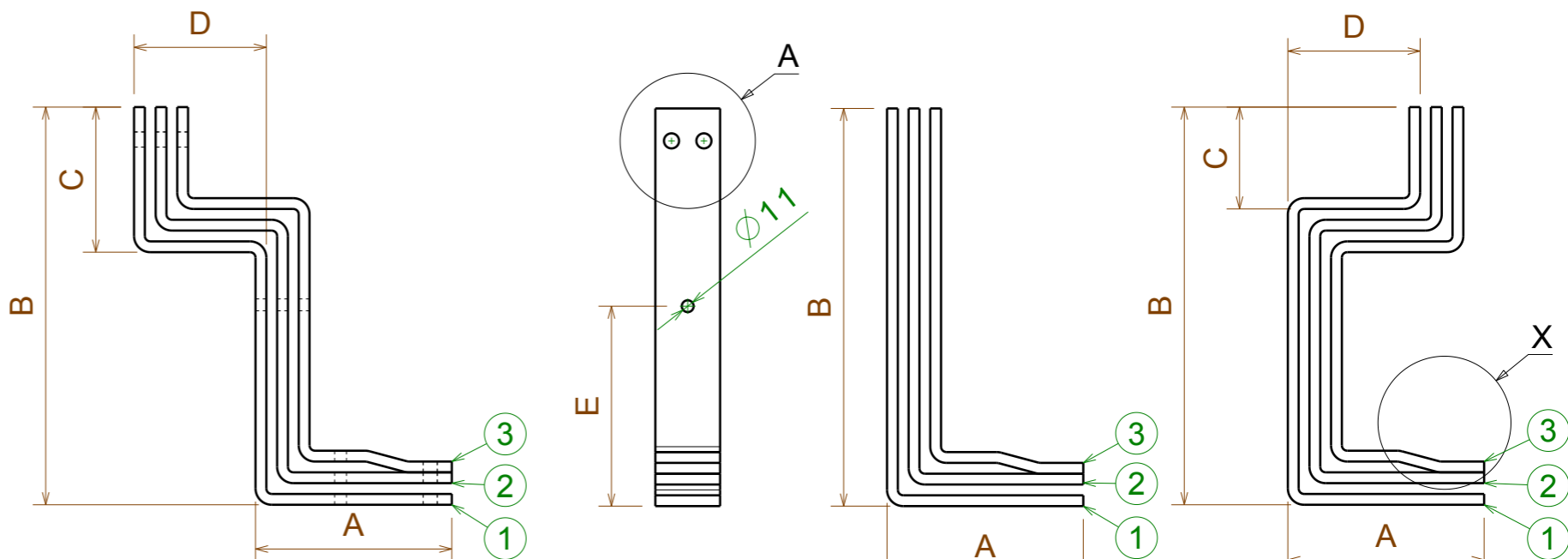
**Icw > 36KA**

SPEP P=900mm

BUSBARS HOLDER PBHB2145 (75mm)

MAIN BUSBARS IP30 / IP31 : 2000A (2x50x10); 2500A (2x80x10); 3200A (2x100x10)

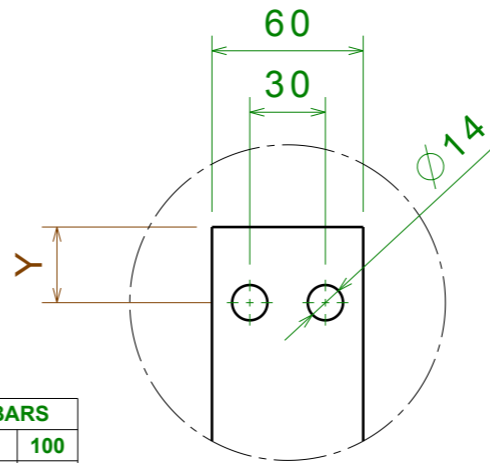
MAIN BUSBARS IP40 / IP41 / IP65 : 2000A (2x60x10); 2500A (2x100x10)



**N-L1**

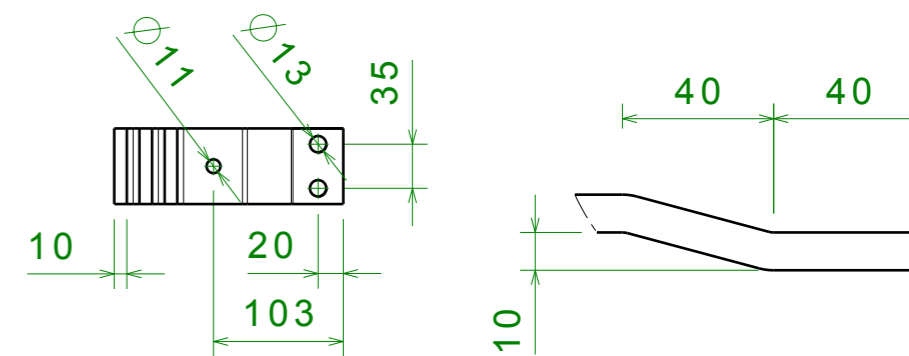
**L2**

**L3**



Detail A

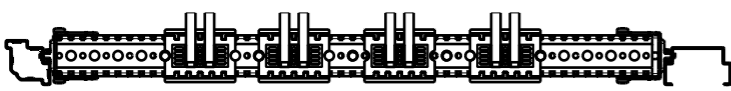
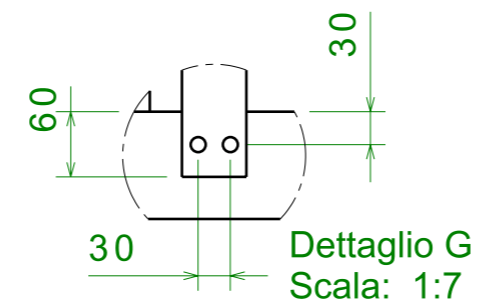
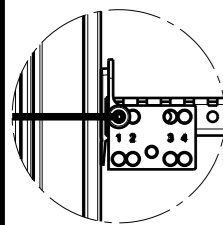
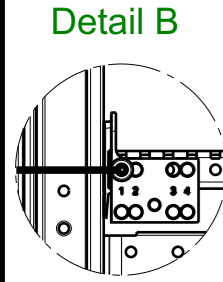
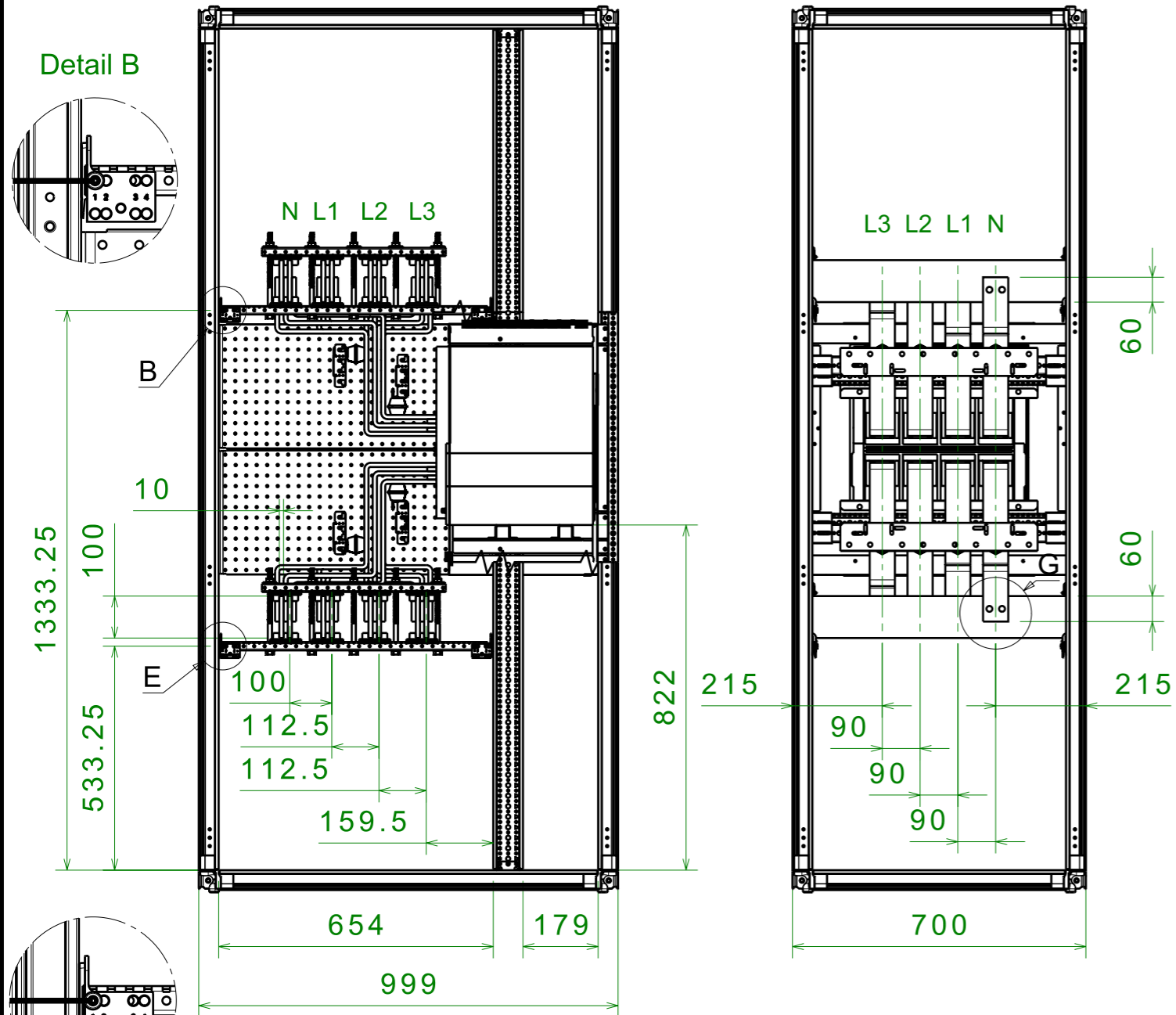
	H MAIN BUSBARS			
	50	60	80	100
Y	25	30	30	30



Detail X  
Scale: 1:2

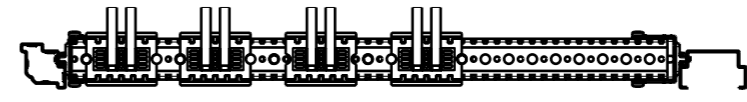
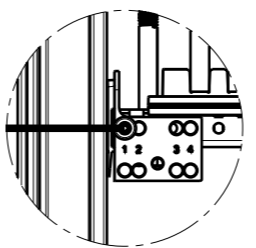
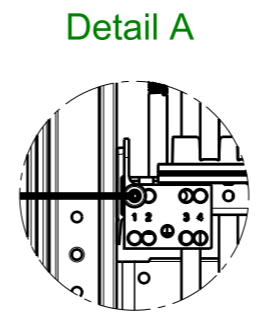
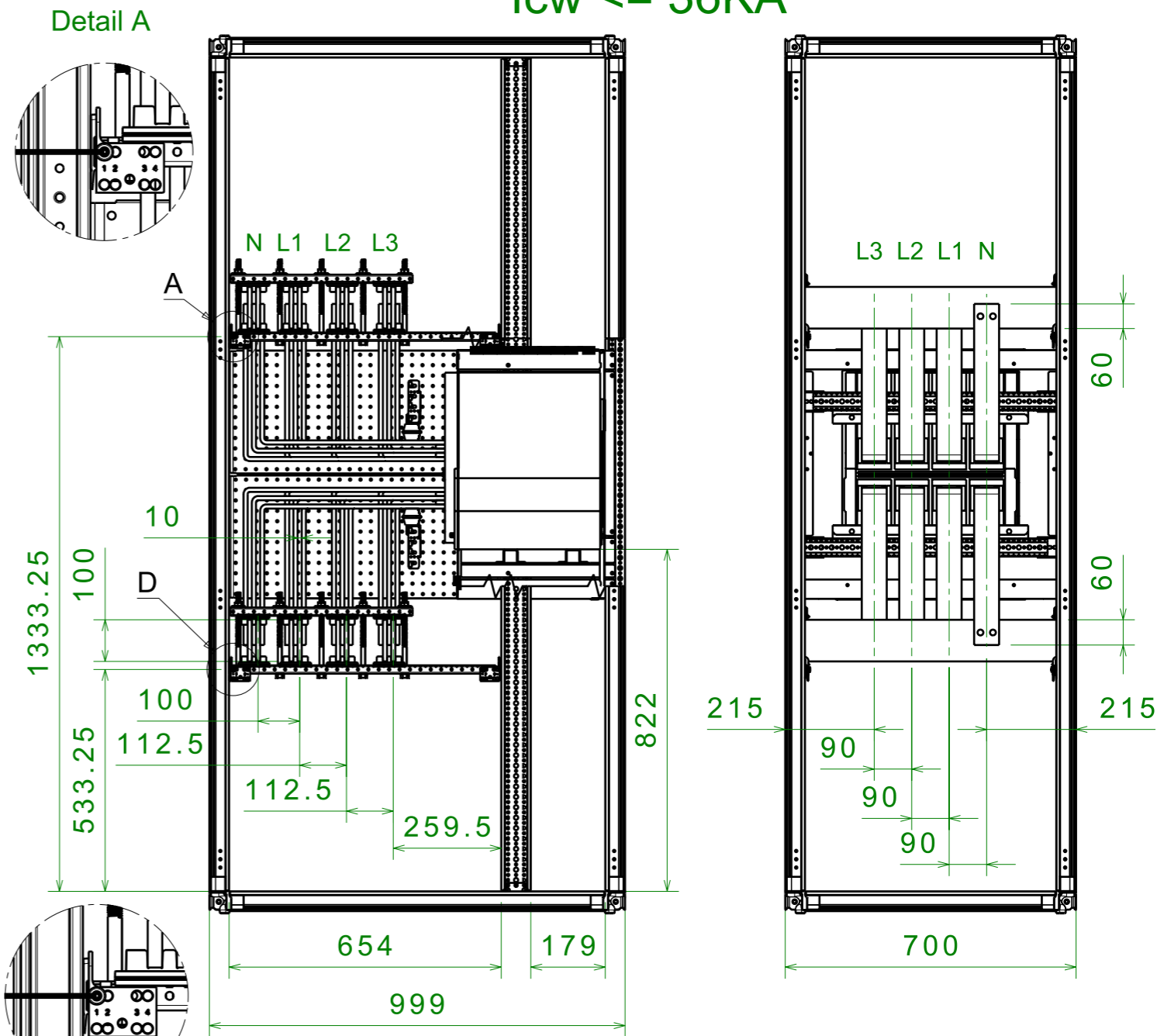
AGG. DI SEGNO	SCALA SCALE	: 1:6	TRATT.:	
DESIGNER	DISEGNATORE DESIGNER	:	N° PROGETTO PROJECT	XXX.XX
APPROVAZIONE	APPROVAZIONE APPROVAL	:	<b>ABB</b>	<b>ABB SACE ADB</b>
DATA	DATA DATE	: xx-xx-xx	DENOMINAZIONE/NAME:	E2.2 2000A W CONNECTION BUSBARS 3x60x10xP
FORMATO	FORMATO FORMED	Formato A3 Formed	DISEGNO N° /DRAWING N°	8 6 3 6 9 1

ASSEMBLY DRAWING  
E2.2 2500A W  
Icw > 36KA



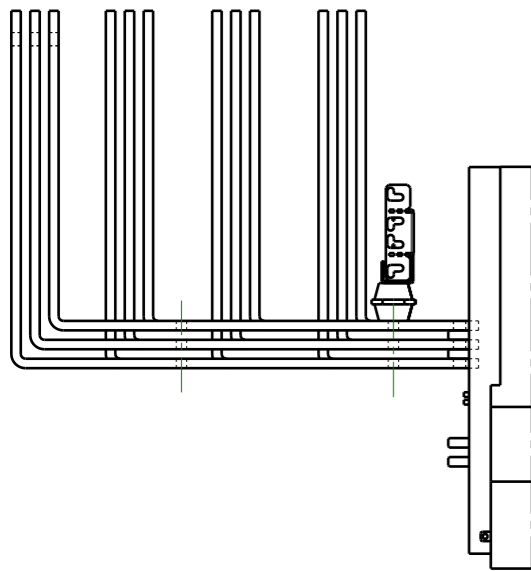
CONNECTION BUSBARS 3x60x10xP

ASSEMBLY DRAWING  
E2.2 2500A W  
Icw <= 36KA



SCALA SCALE	: 1:14	N° PROGETTO : PROJECT	XXX.XX
DISSEGNAZIONE DESIGNER	:	<b>ABB SACE ADB</b>	
APPROVAZIONE APPROVAL	:	DENOMINAZIONE/NAME:	
DATA DATE	: XX-XX-XX	E2.2 2500A W CONNECTION BUSBARS 3x60x10xP	
FORMATO FORMED	Formato A3 Formed	DISEGNO N° /DRAWING N° 8 6 3 6 8 6	

Questo disegno e' di esclusiva proprieta' di ABB SACE ADB. Ne e' vietata la riproduzione a termini di legge.



**MAIN  
BUSBARS  
UP**

	B	
	H MAIN BUSBARS	
	80	100
L3.1	378	378
L3.2	358	358
L3.3	338	338
L2.1	378	378
L2.2	358	358
L2.3	338	338
L1.1	378	378
L1.2	358	358
L1.3	338	338
N.1	378	378
N.2	358	358
N.3	338	338

# CONNECTIONS FOR E2.2 WITHDRAWABLE 2500A

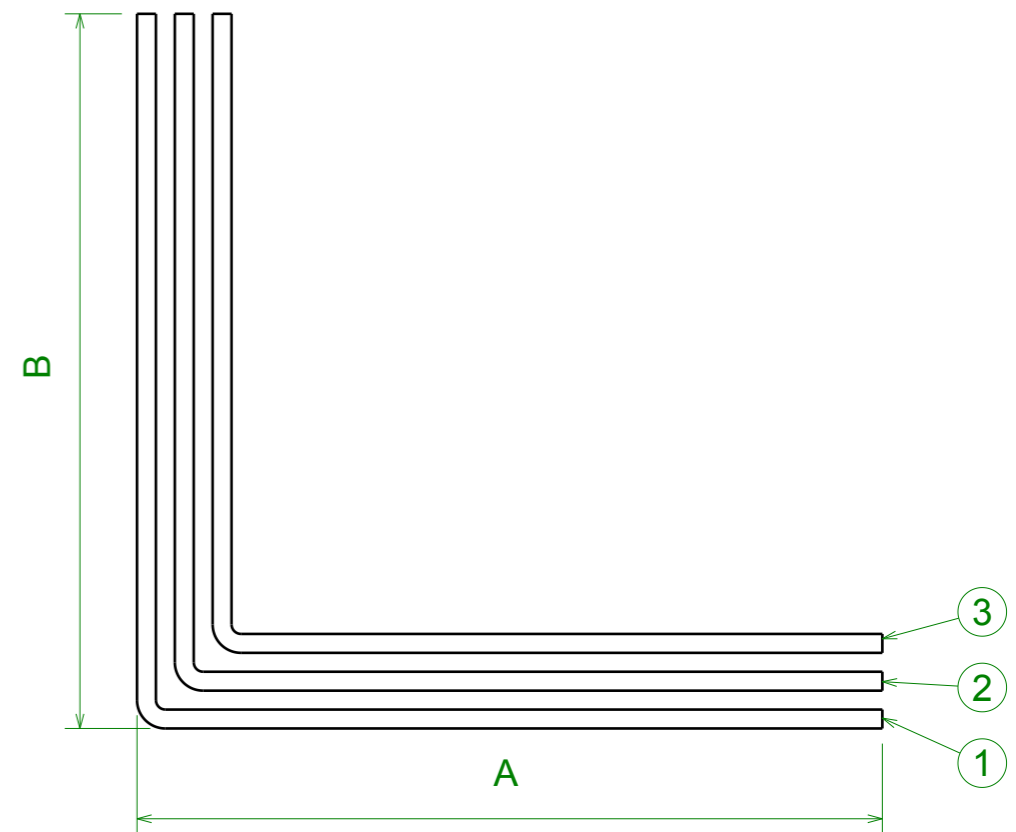
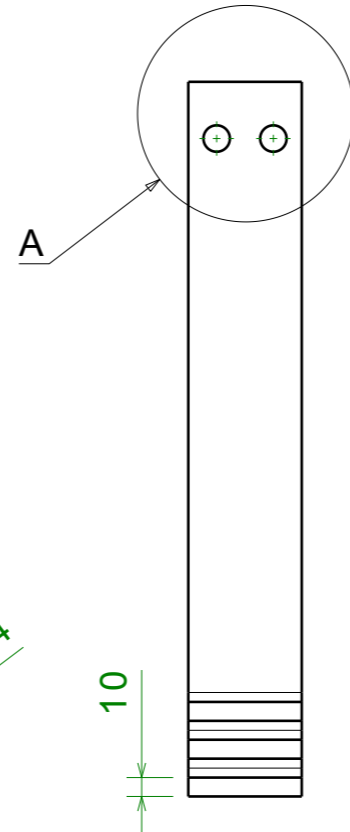
**I<sub>cw</sub> ≤ 36KA**

SPEP P = 900mm

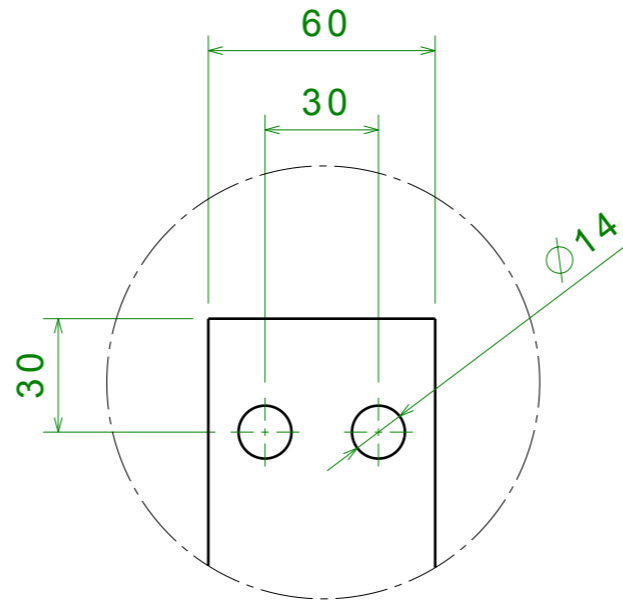
BUSBARS HOLDER PBHB2145 (75mm)

MAIN BUSBARS IP30 / IP31 : 2500A (2x80x10); 3200A (2x100x10)

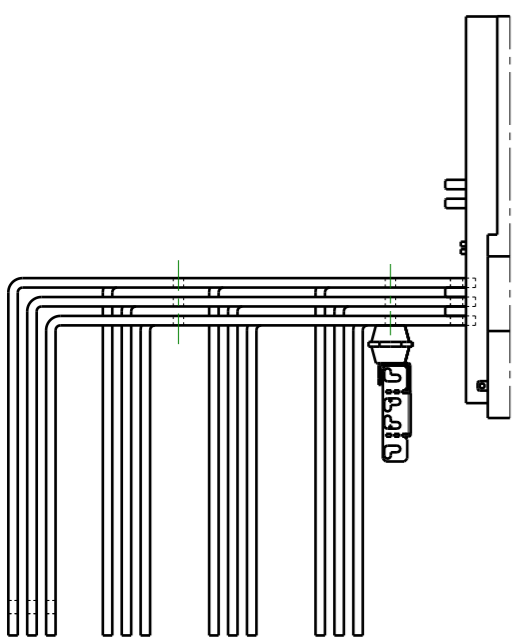
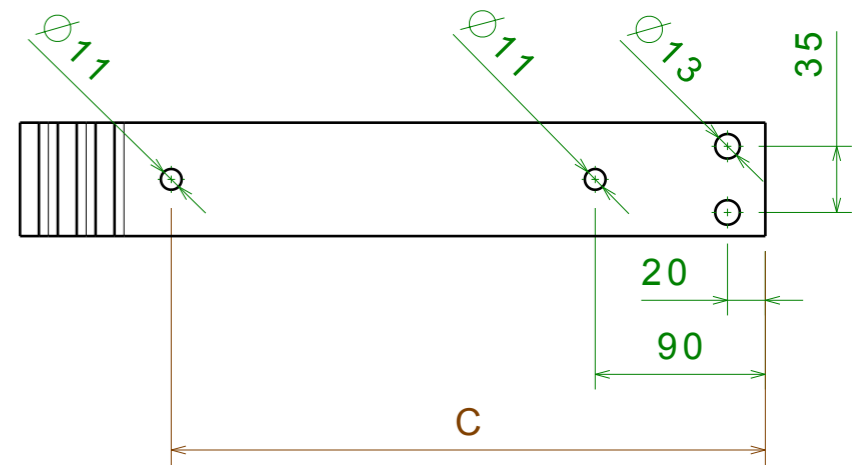
MAIN BUSBARS IP40 / IP41 / IP65 : 2500A (2x100x10)



PHASE	POS	A	C	
L3	1	L3.1	169.25	
	2	L3.2	149.25	
	3	L3.3	129.25	
L2	1	L2.1	281.75	
	2	L2.2	261.75	
	3	L2.3	241.75	
L1	1	L1.1	394.25	314.25
	2	L1.2	374.25	314.25
	3	L1.3	354.25	314.25
N	1	N.1	494.25	314.25
	2	N.2	474.25	314.25
	3	N.3	454.25	314.25



Detail A

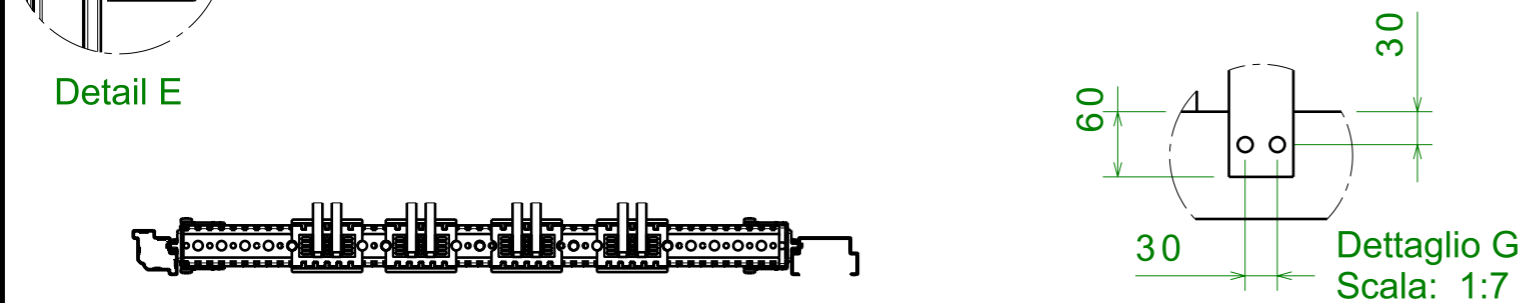
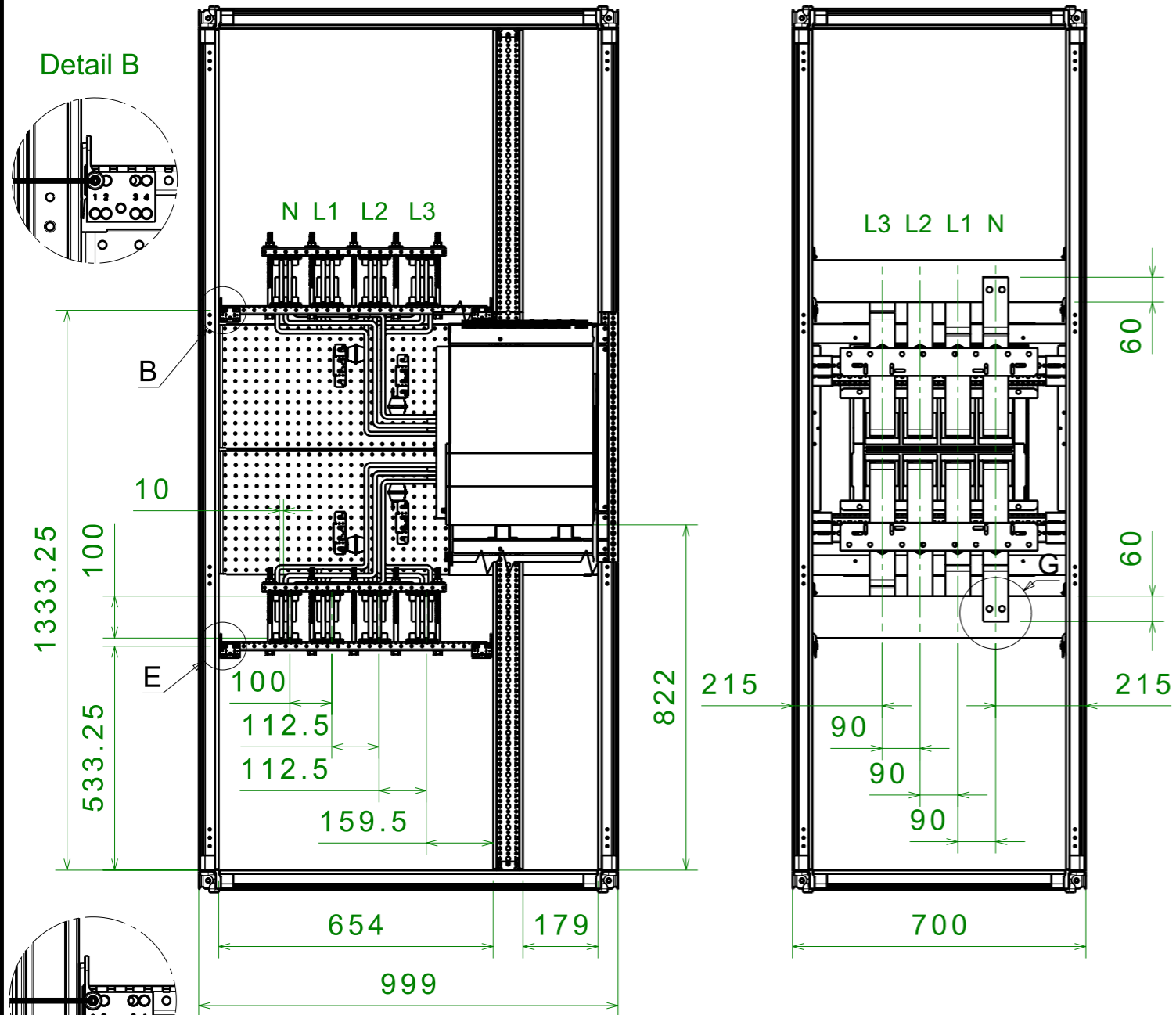


**MAIN  
BUSBARS  
DOWN**

	B	
	H MAIN BUSBARS	
	80	100
L3.1	398	378
L3.2	378	358
L3.3	358	338
L2.1	398	378
L2.2	378	358
L2.3	358	338
L1.1	398	378
L1.2	378	358
L1.3	358	338
N.1	398	378
N.2	378	358
N.3	358	338

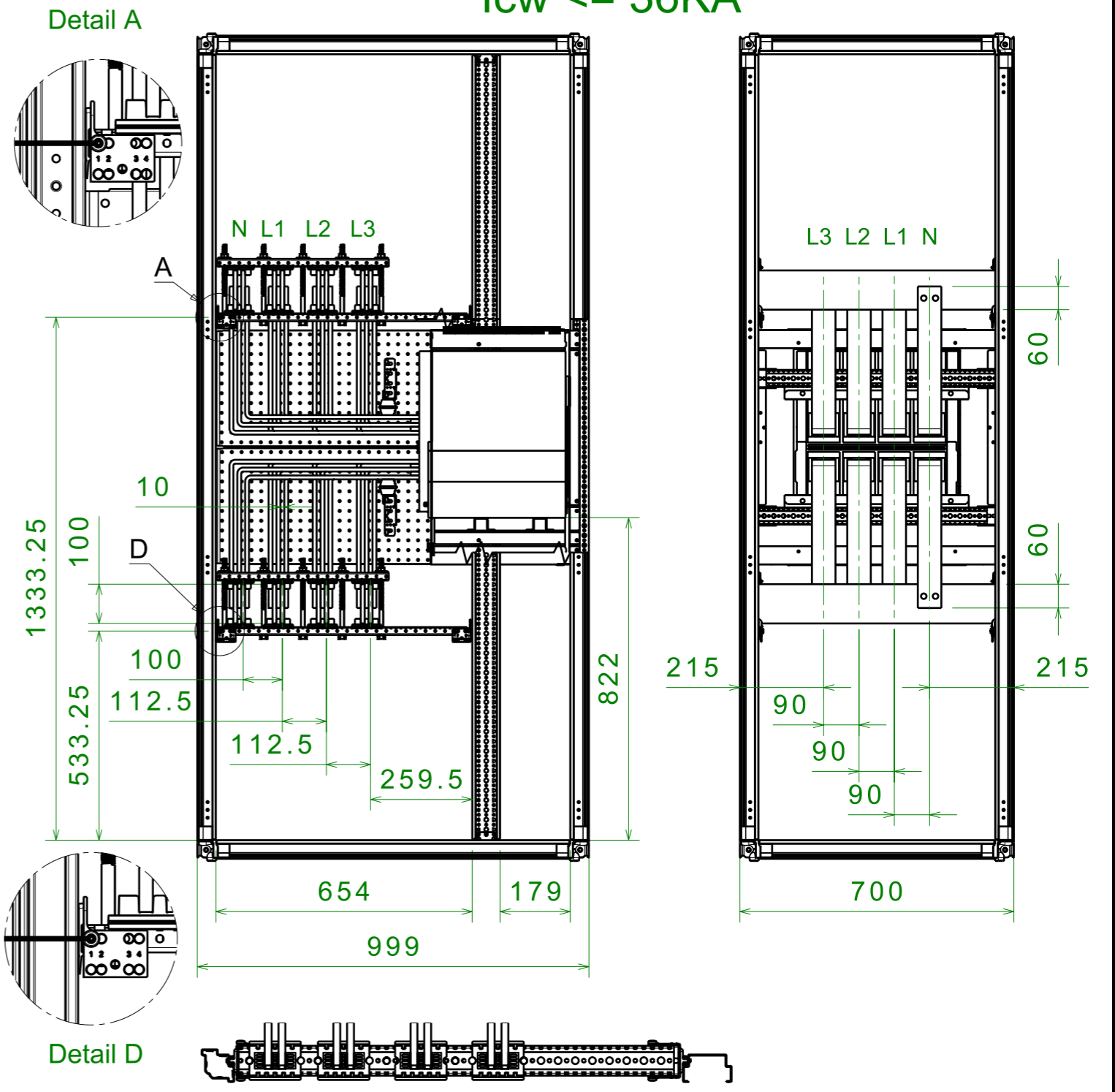
AGG. DI SEGNO	SCALA SCALE : 1:4	N° PROGETTO : PROJECT XXX.XX
DESIGNER	DISEGNATORE DESIGNER :	ABB SACE ADB
APPROVAZIONE	APPROVAZIONE : APPROVAL	DENOMINAZIONE/NAME: E2.2 2500A W CONNECTION BUSBARS 3x60x10xP_L
DATA	DATA DATE : xx-xx-xx	Formato A3 Formed
		DISEGNO N° /DRAWING N° 8 6 3 6 8 7

ASSEMBLY DRAWING  
E2.2 2500A W  
Icw > 36KA



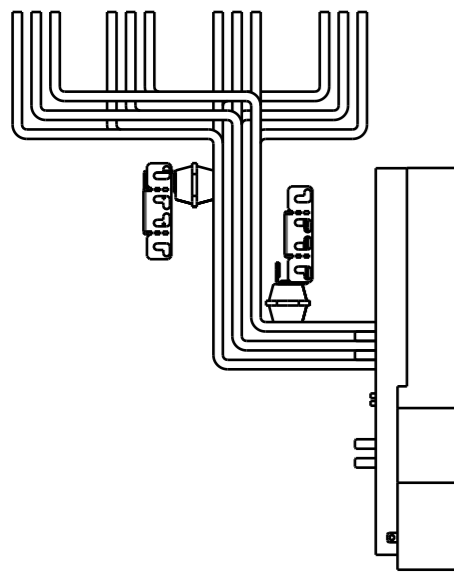
CONNECTION BUSBARS 3x60x10xP

ASSEMBLY DRAWING  
E2.2 2500A W  
Icw <= 36KA



SCALA SCALE	: 1:14	N° PROGETTO : PROJECT	XXX.XX
DISSEGNAZIONE DESIGNER	:	ABB SACE ADB	
APPROVAZIONE APPROVAL	:	DENOMINAZIONE/NAME:	
DATA DATE	: XX-XX-XX	E2.2 2500A W CONNECTION BUSBARS 3x60x10xP	
FORMATO FORMED	Formato A3 Formed	DISEGNO N° /DRAWING N° 8 6 3 6 8 6	

Questo disegno e' di esclusiva proprieta' di ABB SACE ADB. Ne e' vietata la riproduzione a termini di legge.



**MAIN  
BUSBARS  
UP**

	B	
	H MAIN BUSBARS	
	80	100
L3.1	378	378
L3.2	358	358
L3.3	338	338
L2.1	378	378
L2.2	358	358
L2.3	338	338
L1.1	378	378
L1.2	358	358
L1.3	338	338
N.1	378	378
N.2	358	358
N.3	338	338

# CONNECTIONS FOR E2.2 WITHDRAWABLE 2500A

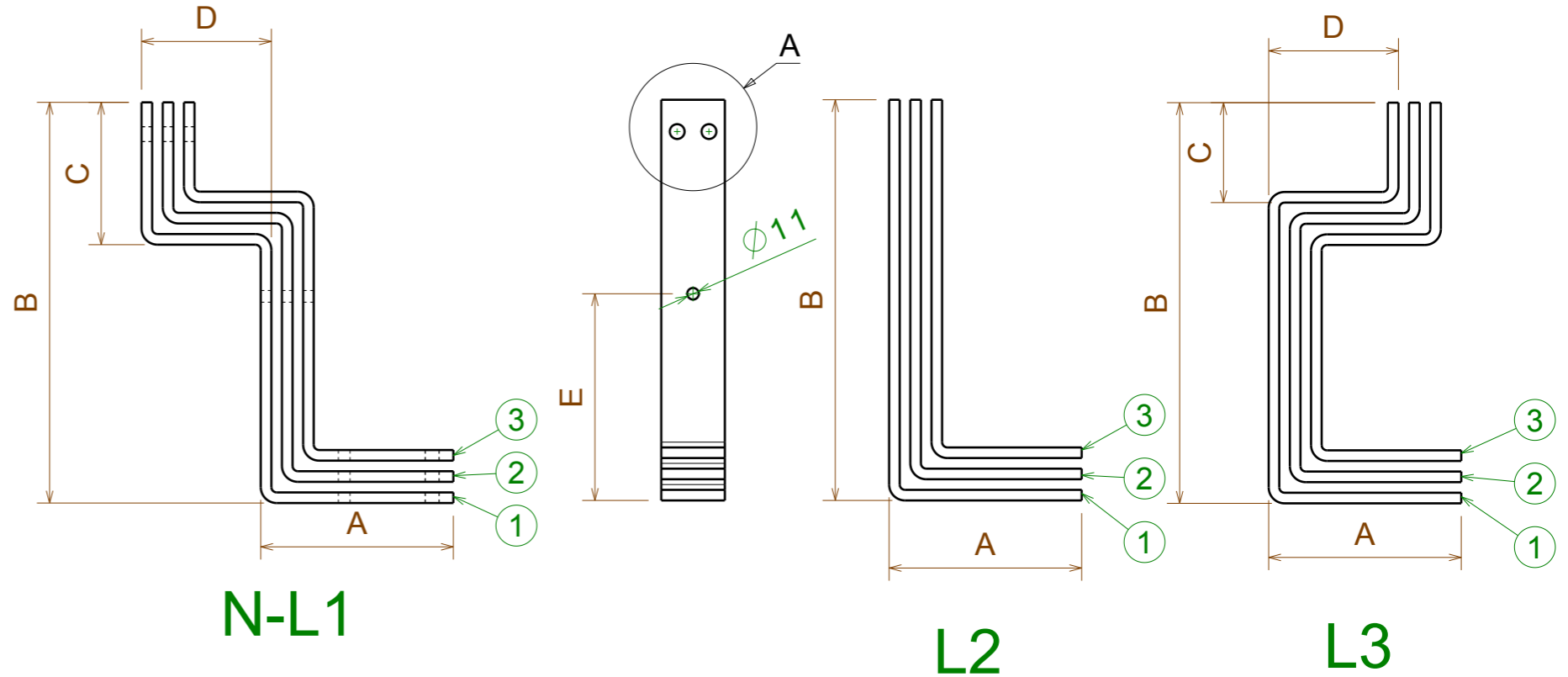
## I<sub>cw</sub> > 36KA

SPEP P = 900mm

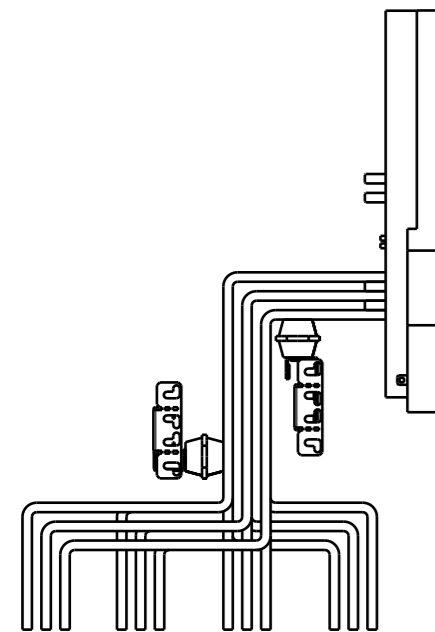
BUSBARS HOLDER PBHB2145 (75mm)

MAIN BUSBARS IP30 / IP31 : 2500A (2x80x10); 3200A (2x100x10)

MAIN BUSBARS IP40 / IP41 / IP65 : 2500A (2x100x10)

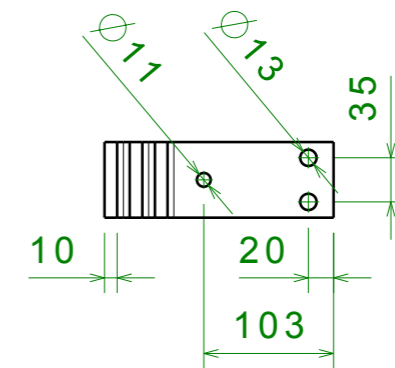
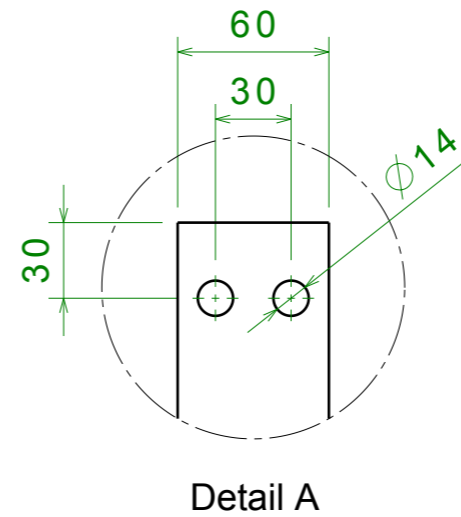


PHASE	POS	A	C	D	E	
L3	1	L3.1	181.75	94.25	122.5	195
	2	L3.2	161.75	114.25	122.5	175
	3	L3.3	141.75	134.25	122.5	155
L2	1	L2.1	181.75	-	-	195
	2	L2.2	161.75	-	-	175
	3	L2.3	141.75	-	-	155
L1	1	L1.1	181.75	134.25	122.5	195
	2	L1.2	161.75	114.25	122.5	175
	3	L1.3	141.75	94.25	122.5	155
N	1	N.1	181.75	134.25	222.5	195
	2	N.2	161.75	114.25	222.5	175
	3	N.3	141.75	94.25	222.5	155



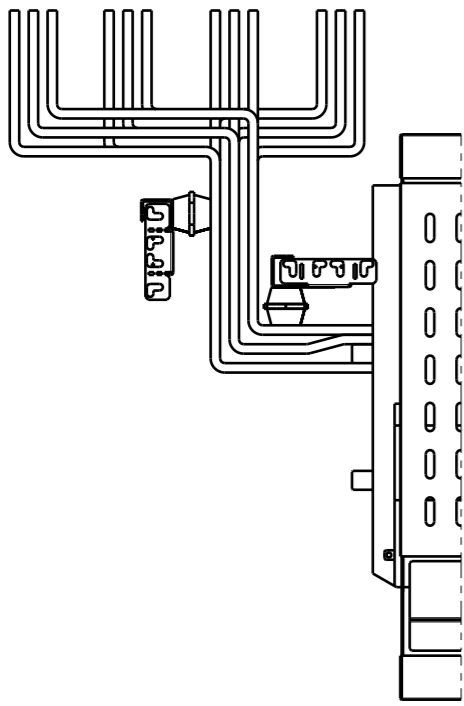
**MAIN  
BUSBARS  
DOWN**

	B	
	H MAIN BUSBARS	
	80	100
L3.1	398	378
L3.2	378	358
L3.3	358	338
L2.1	398	378
L2.2	378	358
L2.3	358	338
L1.1	398	378
L1.2	378	358
L1.3	358	338
N.1	398	378
N.2	378	358
N.3	358	338



AGG. DI SEGNO	SCALA SCALE	: 1:8	N° PROGETTO PROJECT	XXX.XX
DESIGNER	APPROVAZIONE APPROVAL		<b>ABB SACE ADB</b>	
MODIFICA	DATA DATE	: xx-xx-xx	DISEGNO N° / DRAWING N°	
DATA	Formato A3 Formed		E2.2 2500A W CONNECTION BUSBARS 3x60x10xP	
			8 6 3 6 8 8	





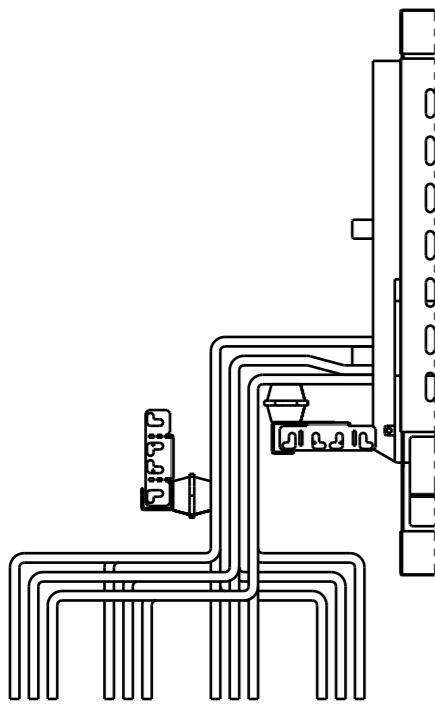
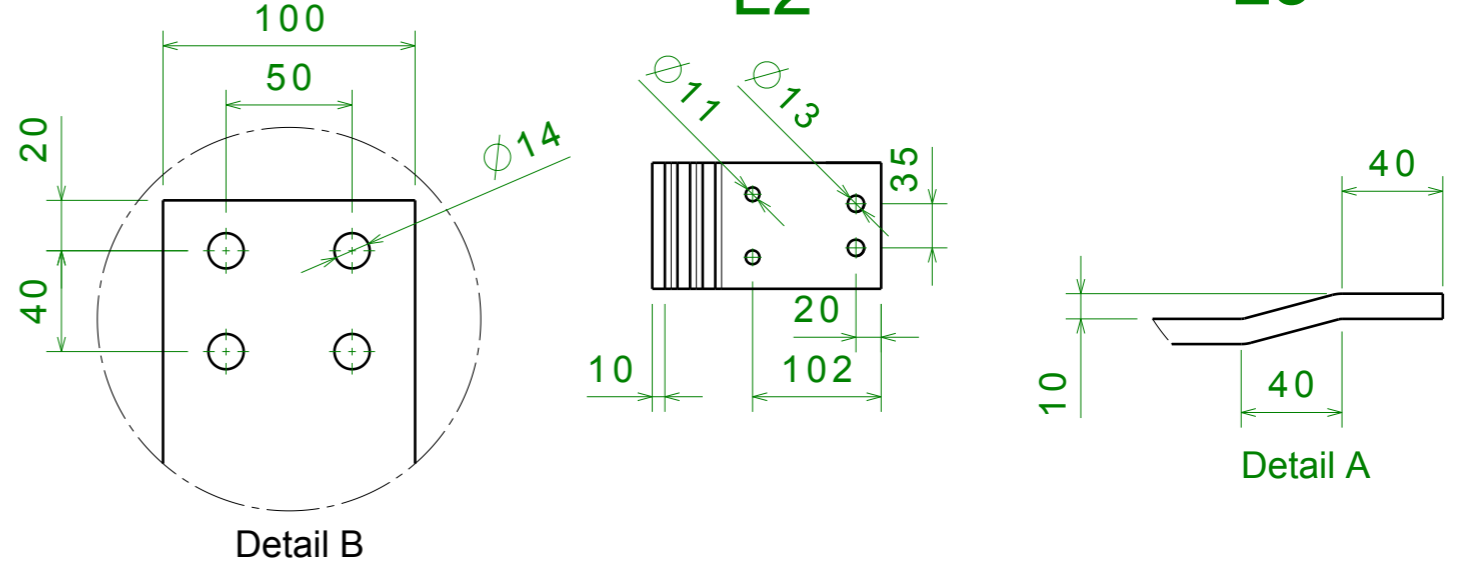
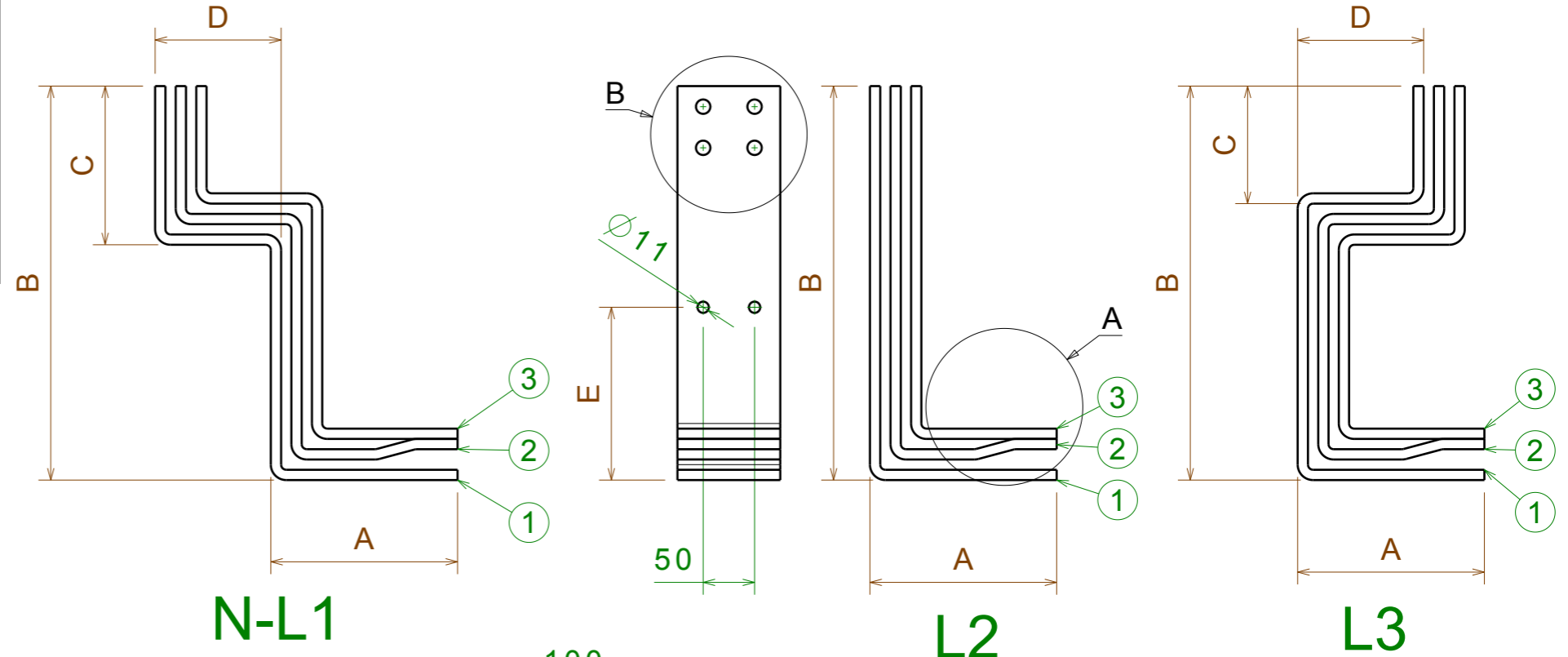
**MAIN  
BUSBARS  
UP**

# CONNECTIONS FOR E4.2 WITHDRAWABLE 3200A

## I<sub>cw</sub> > 36KA

SPEP P = 900mm  
 BUSBARS HOLDER PBHB2145 (75mm)  
 MAIN BUSBAR IP30 / IP31 : 3200A (2x100x10)

PHASE	POS	A	B	C	D	E
L3	1 L3.1	181.6	383	114.25	122.5	168
	2 L3.2	161.6	363	134.25	122.5	138
	3 L3.3	141.6	343	154.25	122.5	128
L2	1 L2.1	181.6	383	-	-	168
	2 L2.2	161.6	363	-	-	138
	3 L2.3	141.6	343	-	-	128
L1	1 L1.1	181.6	383	154.25	122.5	168
	2 L1.2	161.6	363	134.25	122.5	138
	3 L1.3	141.6	343	114.25	122.5	128
N	1 N.1	181.6	383	154.25	222.5	168
	2 N.2	161.6	363	134.25	222.5	138
	3 N.3	141.6	343	114.25	222.5	128



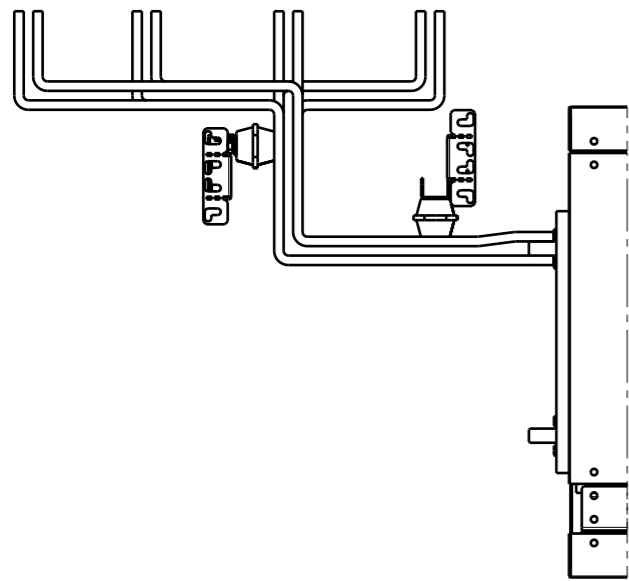
**MAIN  
BUSBARS  
DOWN**

AGG. DI SEGNO	SCALA SCALE : 1:6	N° PROGETTO PROJECT : XXX.XX
DISEGNATORE DESIGNER	APPROVAZIONE APPROVAL	<b>ABB</b> <b>ABB SACE ADB</b>
MODIFICA	DATA DATE : xx-xx-xx	DENOMINAZIONE/NAME : E4.2 3200A W CONNECTION BUSBARS 3x100x10xP
DATA	Formato A3 Formed	DISEGNO N° /DRAWING N° : 8 6 3 6 9 6

Questo disegno e' di esclusiva proprieta' di ABB SACE ADB. Ne e' vietata la riproduzione e termini di legge



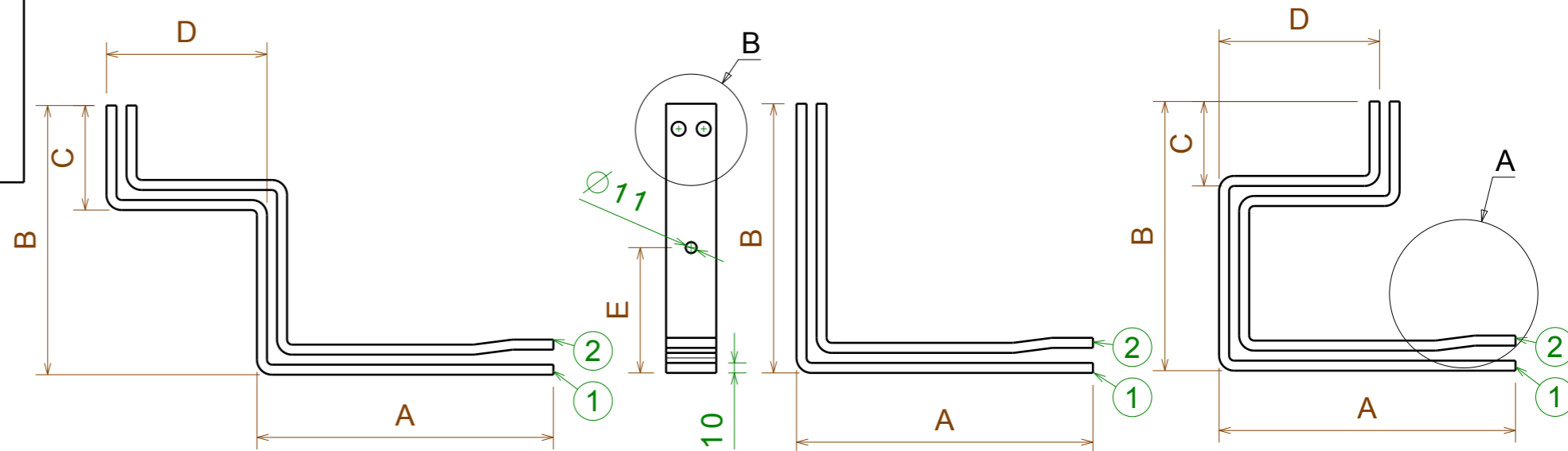




MAIN  
BUSBARS  
UP

# CONNECTIONS FOR E1.2 WITHDRAWABLE 1000A/1250A/1600A

SPEP P = 900mm  
 BUSBARS HOLDER PBHB3121 (100mm)  
 MAIN BUSBAR IP30 / IP31 : 4000A (3x100x10)  
 MAIN BUSBAR IP40 / IP41 / IP65 : 3200A (3x100x10)

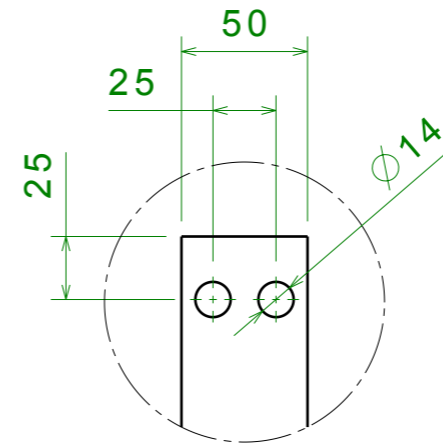


N-L1

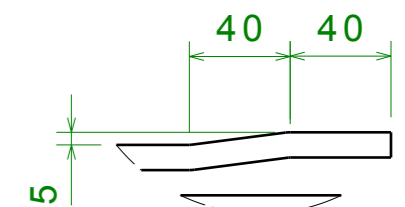
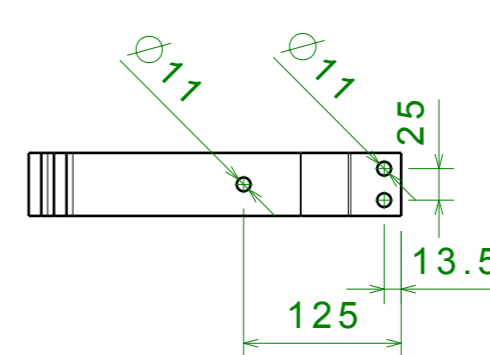
L2

L3

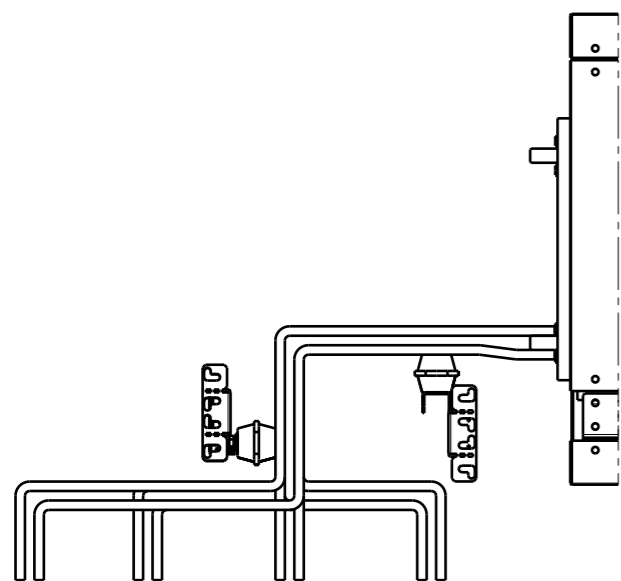
PHASE	POS	A	B	C	D	E	
L3	1	L3.1	295.5	268.5	84.25	160	125
	2	L3.2	275.5	248.5	104.25	160	105
L2	1	L2.1	295.5	268.5	-	-	125
	2	L2.2	275.5	248.5	-	-	105
L1	1	L1.1	295.5	268.5	104.25	160	125
	2	L1.2	275.5	248.5	84.25	160	105
N	1	N.1	295.5	268.5	104.25	285	125
	2	N.2	275.5	248.5	84.25	285	105



Detail B



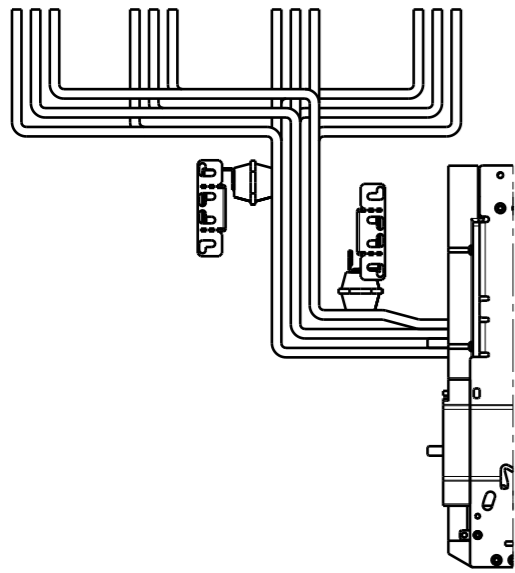
Detail A



MAIN  
BUSBARS  
DOWN

AGG. DI SEGNO	SCALA SCALE	
DISEGNATORE DESIGNER		N° PROGETTO : PROJECT
APPROVAZIONE : APPROVAL		XXX.XX
DATA DATE	: xx-xx-xx	<b>ABB</b> <b>ABB SACE ADB</b>
FORMATO Formed	Formato A3 Formed	DENOMINAZIONE/NAME: E1.2 1000A/1250A/1600A W CONNECTION BUSBARS 2x50x10xP
		DISEGNO N° /DRAWING N° 8 6 3 7 1 7



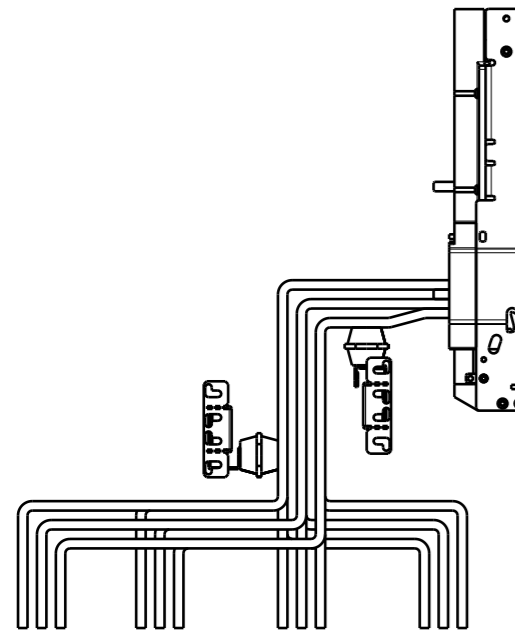
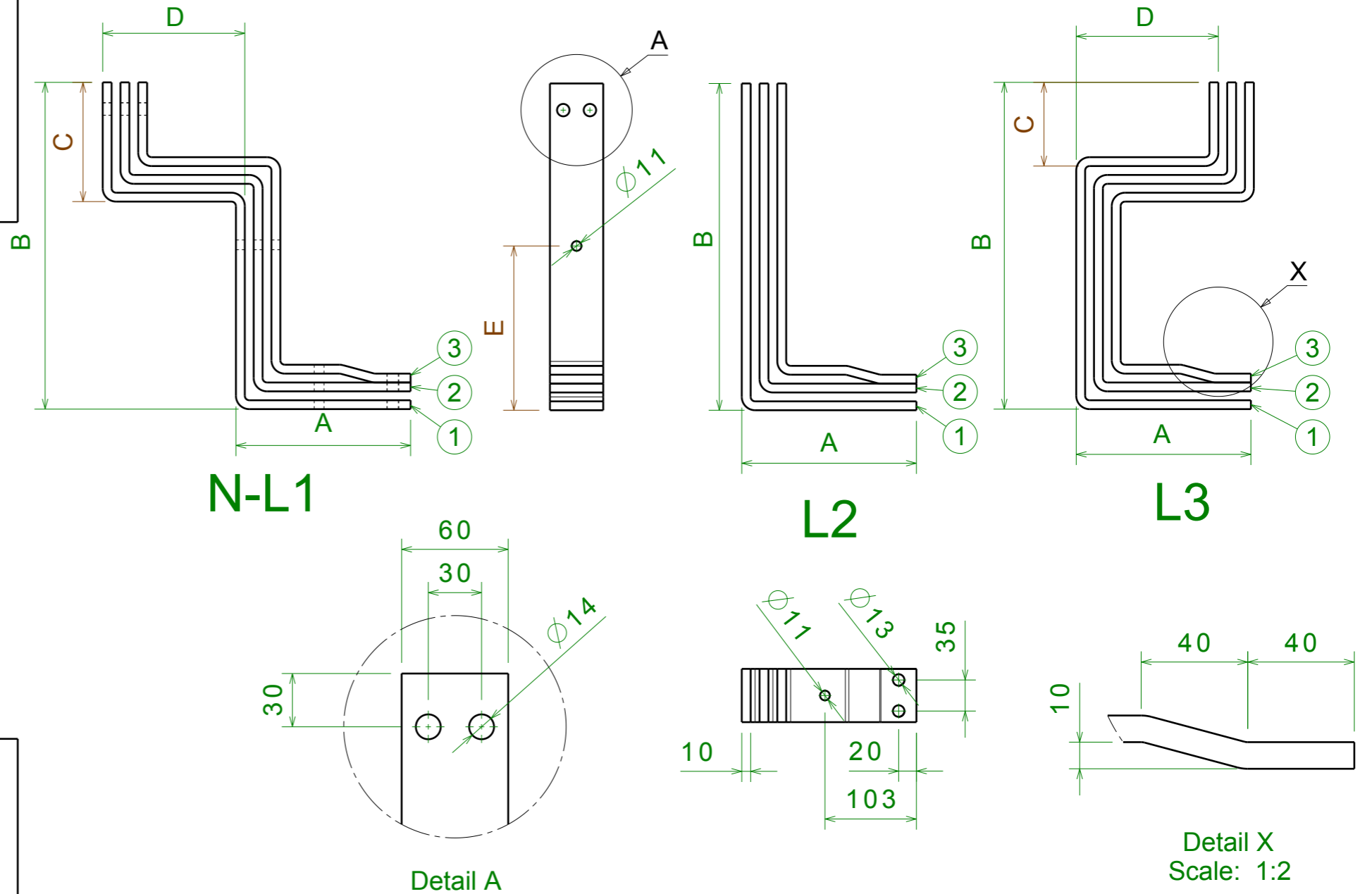


**MAIN  
BUSBARS  
UP**

# CONNECTIONS FOR E2.2 WITHDRAWABLE 2000A

SPEP P = 900mm  
 BUSBARS HOLDER PBHB3121 (100mm)  
 MAIN BUSBAR IP30 / IP31 : 4000A (3x100x10)  
 MAIN BUSBAR IP40 / IP41 / IP65 : 3200A (3x100x10);

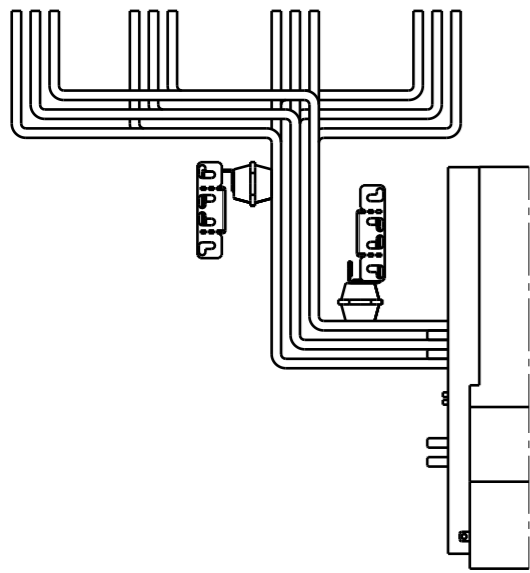
PHASE	POS	A	B	C	D	E
L3	1 L3.1	196.65	368	94.25	160	185
	2 L3.2	176.65	348	114.25	160	165
	3 L3.3	156.65	338	134.25	160	155
L2	1 L2.1	196.65	368	-	-	185
	2 L2.2	176.65	348	-	-	165
	3 L2.3	156.65	338	-	-	155
L1	1 L1.1	196.65	368	134.25	160	185
	2 L1.2	176.65	348	114.25	160	165
	3 L1.3	156.65	338	94.25	160	155
N	1 N.1	196.65	368	134.25	285	185
	2 N.2	176.65	348	114.25	285	165
	3 N.3	156.65	338	94.25	285	155



**MAIN  
BUSBARS  
DOWN**

AGG. DI SEGNO	SCALA SCALE	: 1:6	N° PROGETTO : PROJECT	XXX.XX
DESIGNER	DISEGNATORE DESIGNER	:	ABB SACE ADB	
APPROVAZIONE	APPROVAZIONE	:	DISEGNO N° /DRAWING N°	
DATE	DATE	: xx-xx-xx	E2.2 2000A W CONNECTION BUSBARS 3x60x10xP	
FORMATO	FORMATO	A3 Formed	8 6 3 7 0 5	





**MAIN  
BUSBARS  
UP**

# CONNECTIONS FOR E2.2 WITHDRAWABLE 2500A

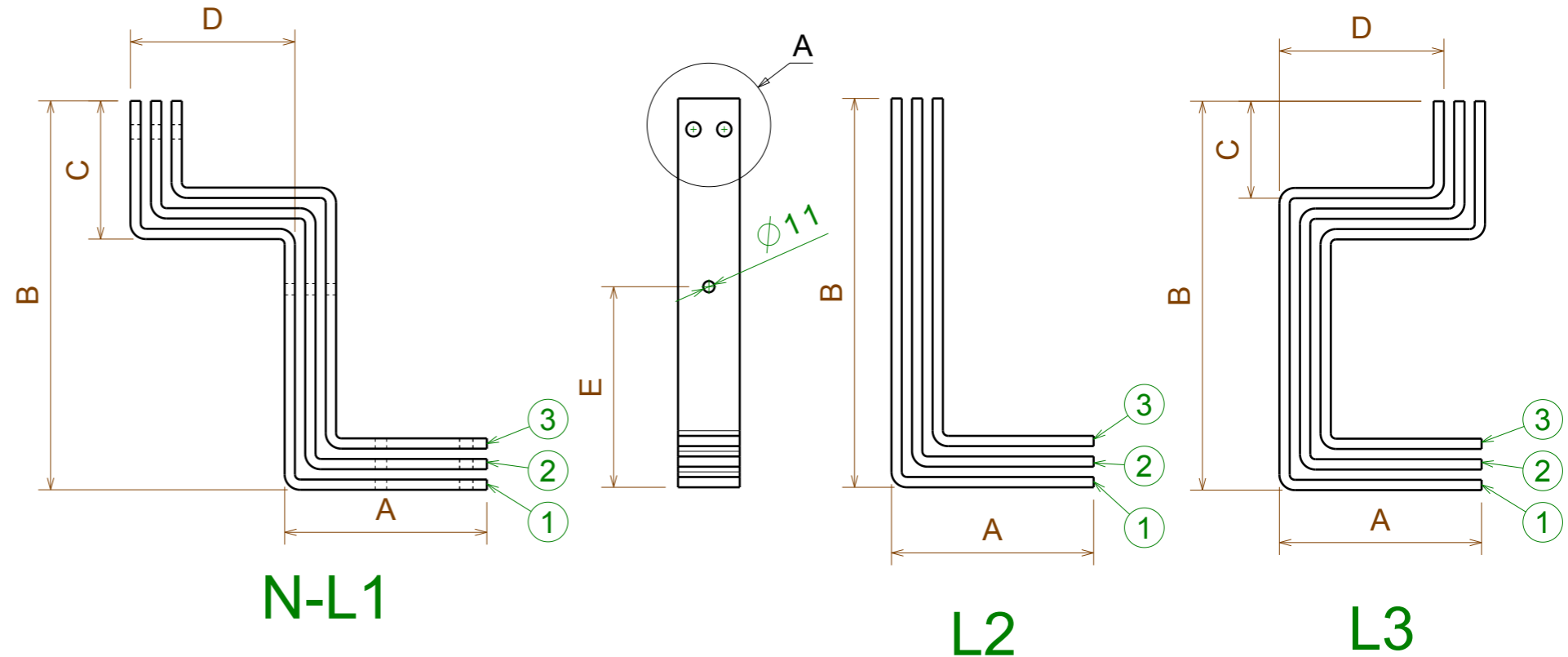
**I<sub>cw</sub> ≤ 36KA**

SPEP P = 900mm

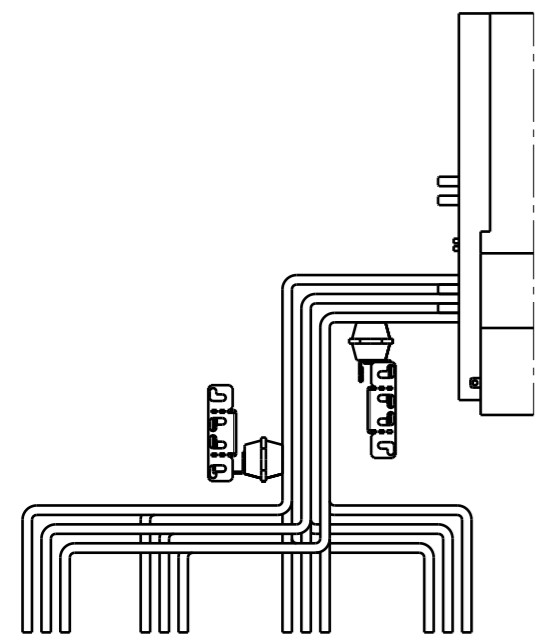
BUSBARS HOLDER PBHB3121 (100mm)

MAIN BUSBAR IP30 / IP31 : 4000A (3x100x10)

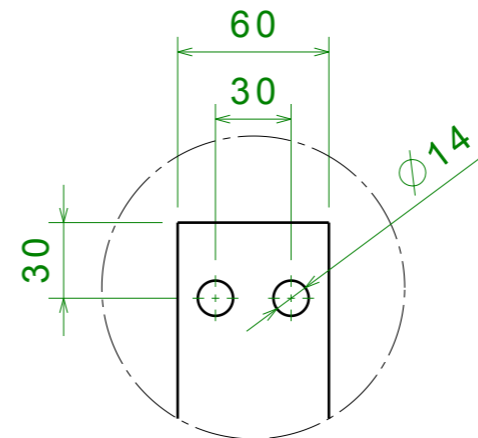
MAIN BUSBAR IP40 / IP41 / IP65 : 3200A (3x100x10);



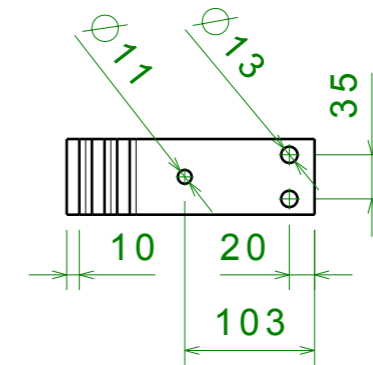
PHASE	POS	A	B	C	D	E
L3	1 L3.1	196.65	378	94.25	160	195
	2 L3.2	176.65	358	114.25	160	175
	3 L3.3	156.65	338	134.25	160	155
L2	1 L2.1	196.65	378	-	-	195
	2 L2.2	176.65	358	-	-	175
	3 L2.3	156.65	338	-	-	155
L1	1 L1.1	196.65	378	134.25	160	195
	2 L1.2	176.65	358	114.25	160	175
	3 L1.3	156.65	338	94.25	160	155
N	1 N.1	196.65	378	134.25	285	195
	2 N.2	176.65	358	114.25	285	175
	3 N.3	156.65	338	94.25	285	155



**MAIN  
BUSBARS  
DOWN**



Detail A

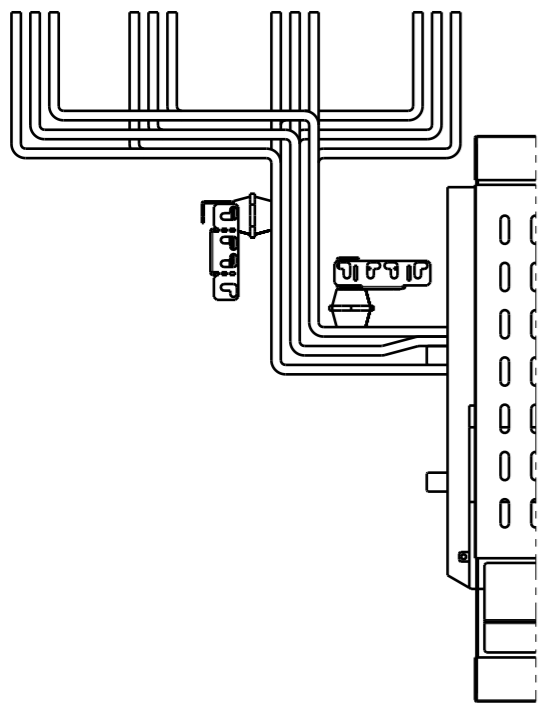


AGG. DI SEGNO	SCALA SCALE	: 1:8	N° PROGETTO : PROJECT	XXX.XX
DESIGNER	DISEGNATORE DESIGNER	:	ABB SACE ADB	
APPROVAZIONE	APPROVAL	:	DISEGNO N° / DRAWING N°	
DATA	DATE	: xx-xx-xx	E2.2 2500A W CONNECTION BUSBARS 3x60x10xP	
FORMATO	FORMATO	A3 Formed	8 6 3 7 0 2	

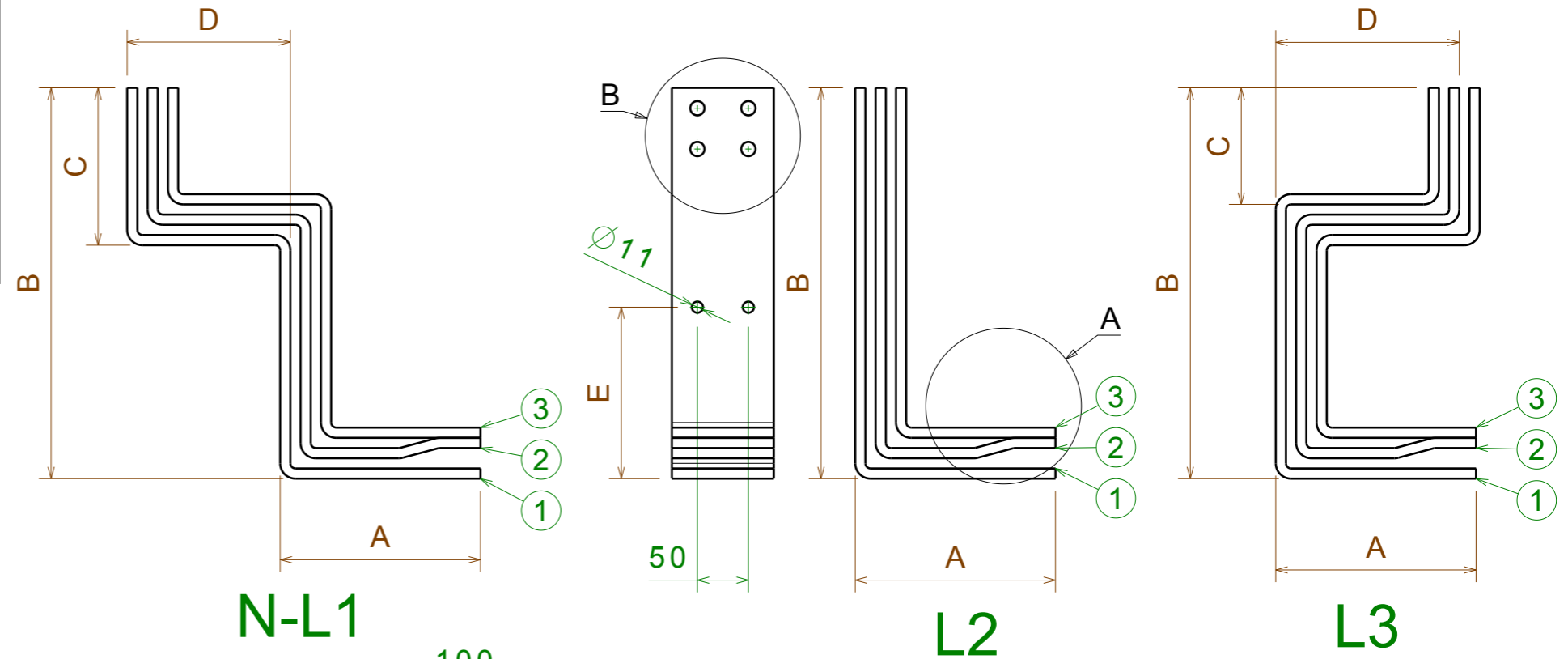


# CONNECTIONS FOR E4.2 WITHDRAWABLE 3200A

SPEP P = 900mm  
 BUSBARS HOLDER PBHB3121 (100mm)  
 MAIN BUSBAR IP30 / IP31 : 4000A (3x100x10)  
 MAIN BUSBAR IP40 / IP41 / IP65 : 3200A (3x100x10)



MAIN  
BUSBARS  
UP

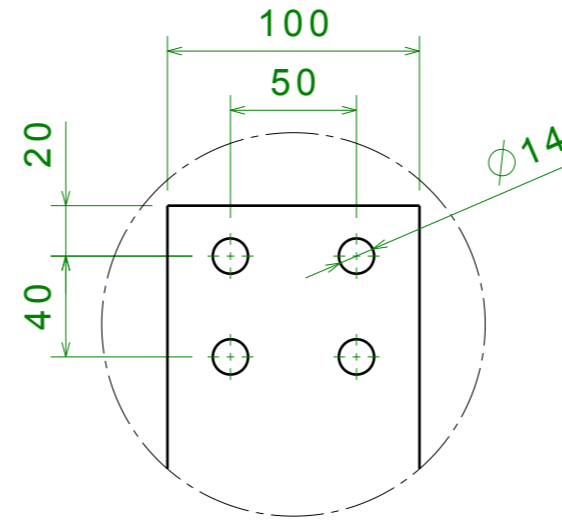


PHASE	POS	A	B	C	D	E
L3	1 L3.1	196.4	383	114.25	160	168
	2 L3.2	176.4	363	134.25	160	148
	3 L3.3	156.4	343	154.25	160	128
L2	1 L2.1	196.4	383	-	-	168
	2 L2.2	176.4	363	-	-	148
	3 L2.3	156.4	343	-	-	128
L1	1 L1.1	196.4	383	154.25	160	168
	2 L1.2	176.4	363	134.25	160	148
	3 L1.3	156.4	343	114.25	160	128
N	1 N.1	196.4	383	154.25	285	168
	2 N.2	176.4	363	134.25	285	148
	3 N.3	156.4	343	114.25	285	128

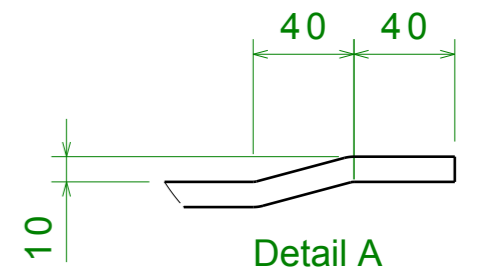
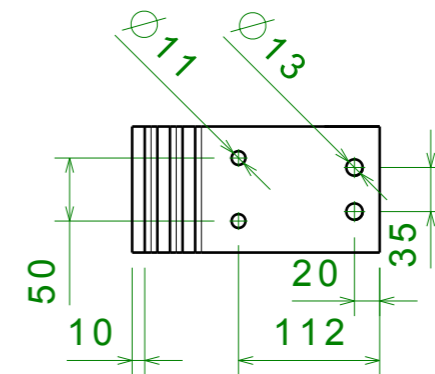
N-L1

L2

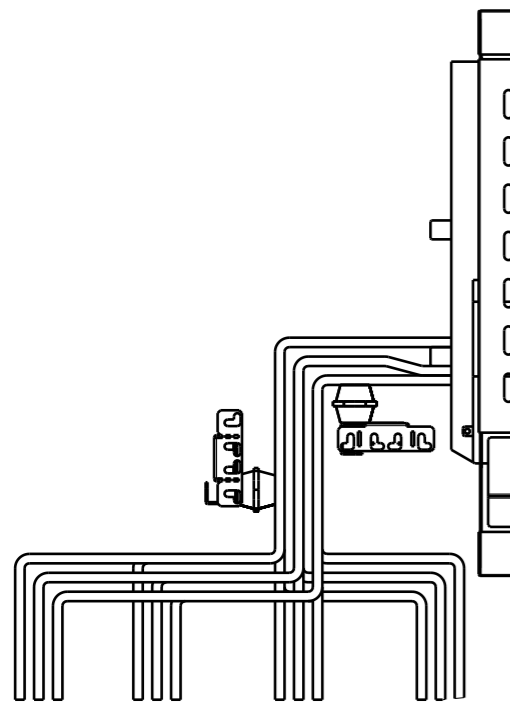
L3



Detail B



Detail A

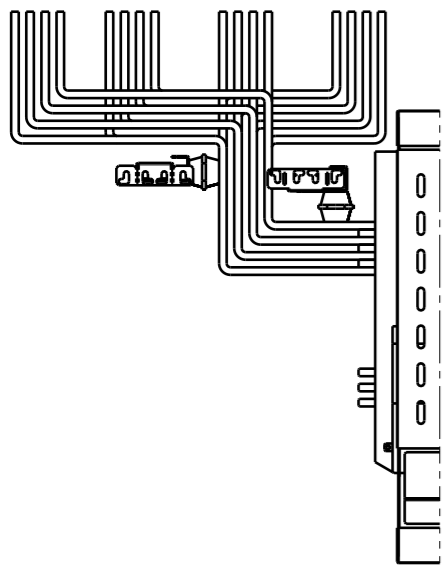


MAIN  
BUSBARS  
DOWN

AGG. DI SEGNO	SCALA SCALE : 1:6	N° PROGETTO PROJECT : XXX.XX
DISEGNATORE DESIGNER :	APPROVAZIONE APPROVAL :	<b>ABB</b> <b>ABB SACE ADB</b>
MODIFICA	DATA DATE : xx-xx-xx	DENOMINAZIONE/NAME : E4.2 3200A W CONNECTION BUSBARS 3x100x10xP
DATA	Formato A3 Formed	DISEGNO N° /DRAWING N° : 8 6 3 6 9 9





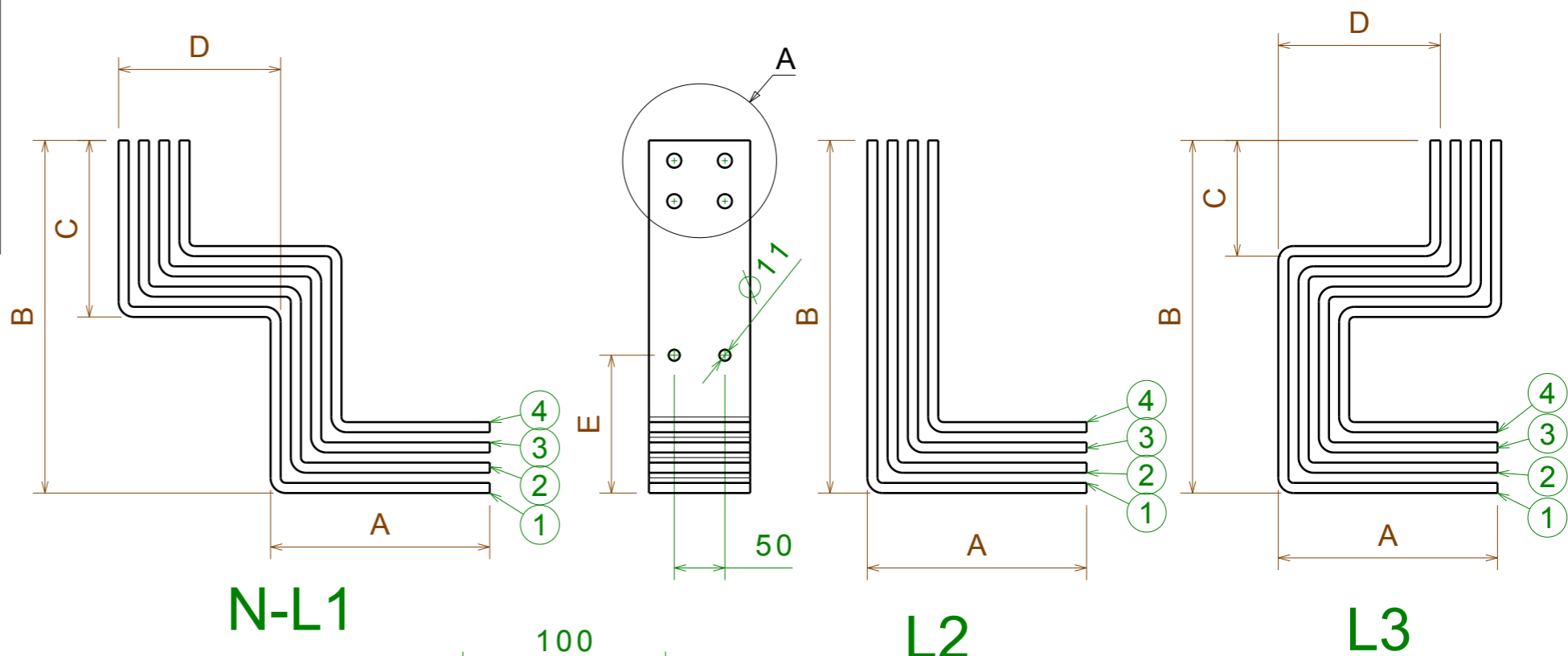


**MAIN  
BUSBARS  
UP**

	B	E	F
L3.1	348.75	136	62
L3.2	328.75	116	62
L3.3	308.75	96	62
L3.4	288.75	76	62
L2.1	348.75	136	62
L2.2	328.75	116	62
L2.3	308.75	96	62
L2.4	288.75	76	62
L1.1	348.75	136	62
L1.2	328.75	116	62
L1.3	308.75	96	62
L1.4	288.75	76	62
N.1	348.75	136	62
N.2	328.75	116	62
N.3	308.75	96	62
N.4	288.75	76	62

# CONNECTIONS FOR E4.2 WITHDRAWABLE 4000A

SPEP P=900mm  
 BUSBARS HOLDER PBHB3121 (100mm)  
 MAIN BUSBARS IP30 / IP31 : 4000A (3x100x10)

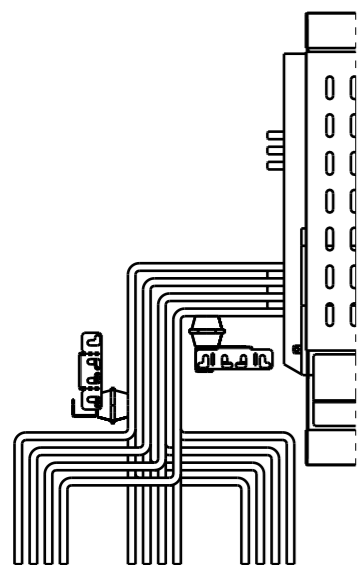
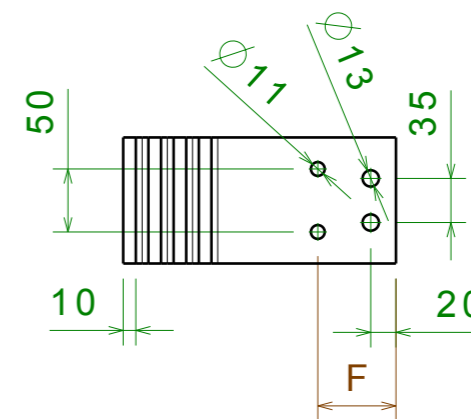
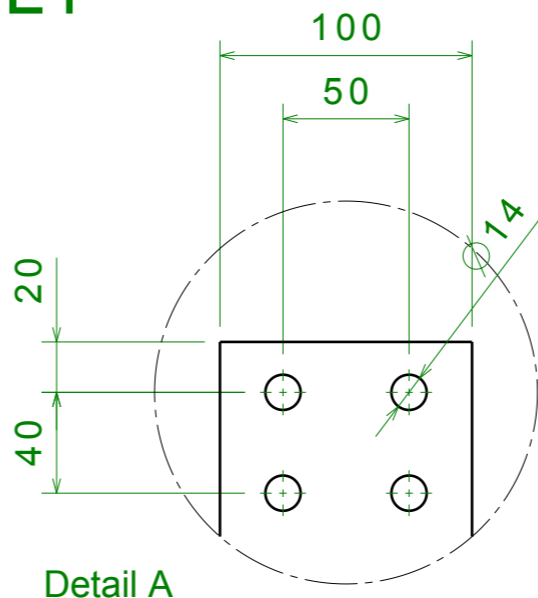


PHASE	POS	A	C	D	
L3	1	L3.1	216.4	114.25	160
	2	L3.2	196.4	134.25	160
	3	L3.3	176.4	154.25	160
	4	L3.4	156.4	174.25	160
L2	1	L2.1	216.4	-	-
	2	L2.2	196.4	-	-
	3	L2.3	176.4	-	-
	4	L2.4	156.4	-	-
L1	1	L1.1	216.4	174.25	160
	2	L1.2	196.4	154.25	160
	3	L1.3	176.4	134.25	160
	4	L1.4	156.4	114.25	160
N	1	N.1	216.4	174.25	285
	2	N.2	196.4	154.25	285
	3	N.3	176.4	134.25	285
	4	N.4	156.4	114.25	285

**N-L1**

**L2**

**L3**



**MAIN  
BUSBARS  
DOWN**

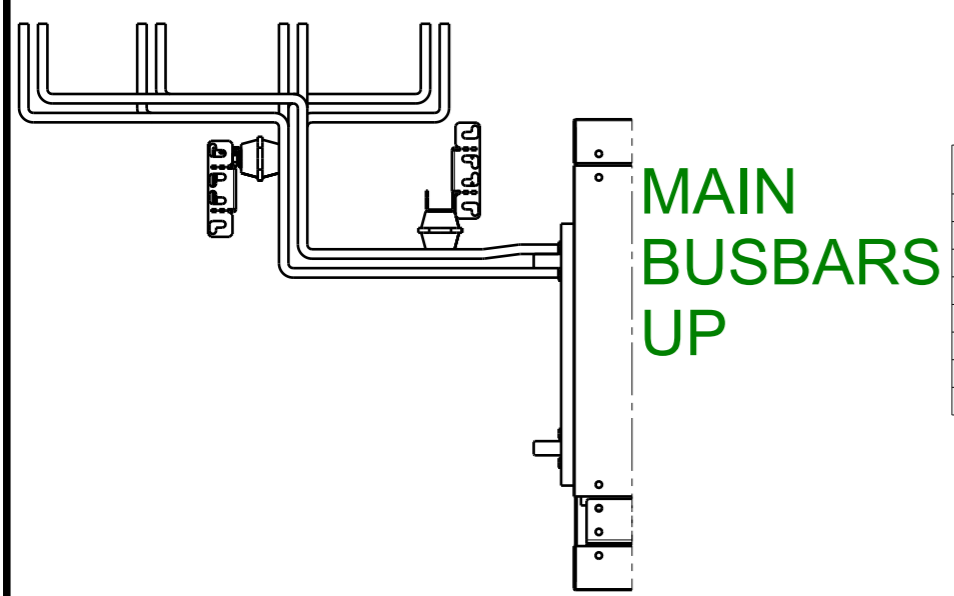
	B	E	F
L3.1	398	188	112
L3.2	378	168	112
L3.3	358	148	112
L3.4	338	128	112
L2.1	398	188	112
L2.2	378	168	112
L2.3	358	148	112
L2.4	338	128	112
L1.1	398	188	112
L1.2	378	168	112
L1.3	358	148	112
L1.4	338	128	112
N.1	398	188	112
N.2	378	168	112
N.3	358	148	112
N.4	338	128	112

AGG. DI SEGNO	SCALA SCALE	: 1:6	N° PROGETTO : PROJECT	XXX.XX
DESIGNER	DISEGNATORE DESIGNER	:	ABB SACE ADB	
APPROVAZIONE	APPROVAZIONE APPROVAL	:	DISEGNO N° /DRAWING N°	
DATA	DATA DATE	: xx-xx-xx	E4.2 4000A W CONNECTION BUSBARS 4x100x10xP	
FORMATO	FORMATO	Formato A3 Formed	8 6 3 6 9 4	



# CONNECTIONS FOR E1.2 WITHDRAWABLE 1000A/1250A/1600A

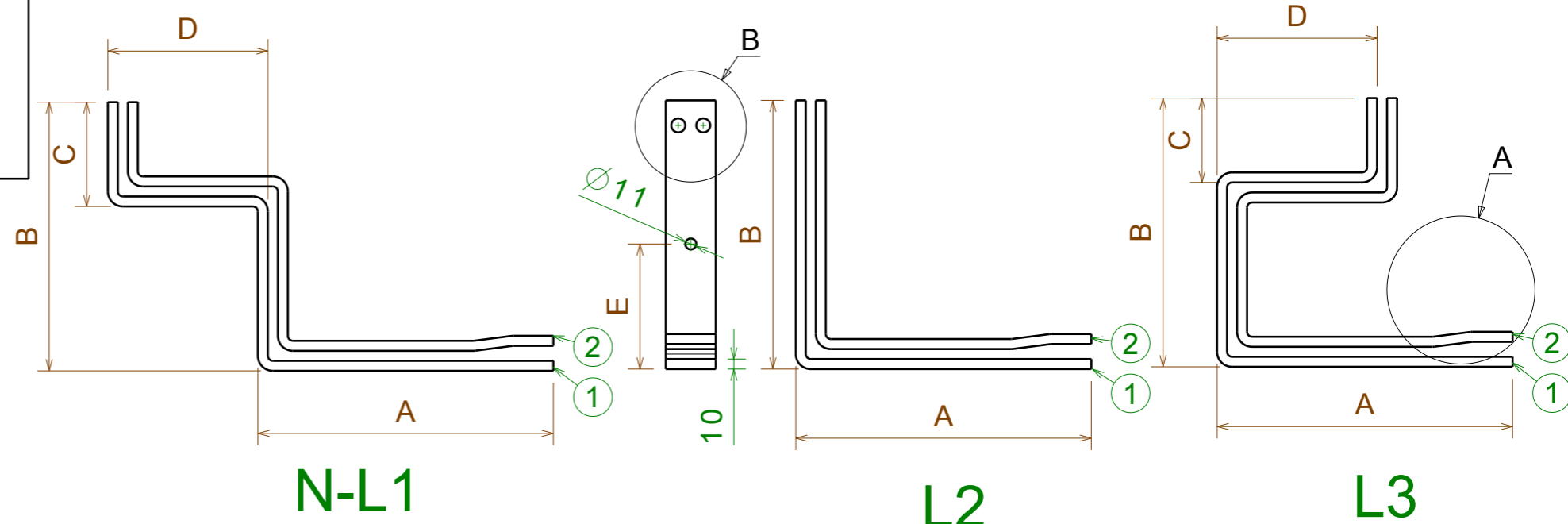
SPEP P = 900mm  
 BUSBARS HOLDER PBHB3121 (100mm)  
 MAIN BUSBAR IP40 / IP41 / IP65 : 4000A (3x120x10)



**MAIN  
BUSBARS  
UP**

	B	E
L3.1	268.5	125
L3.2	248.5	105
L2.1	268.5	125
L2.2	248.5	105
L1.1	268.5	125
L1.2	248.5	105
N.1	268.5	125
N.2	248.5	105

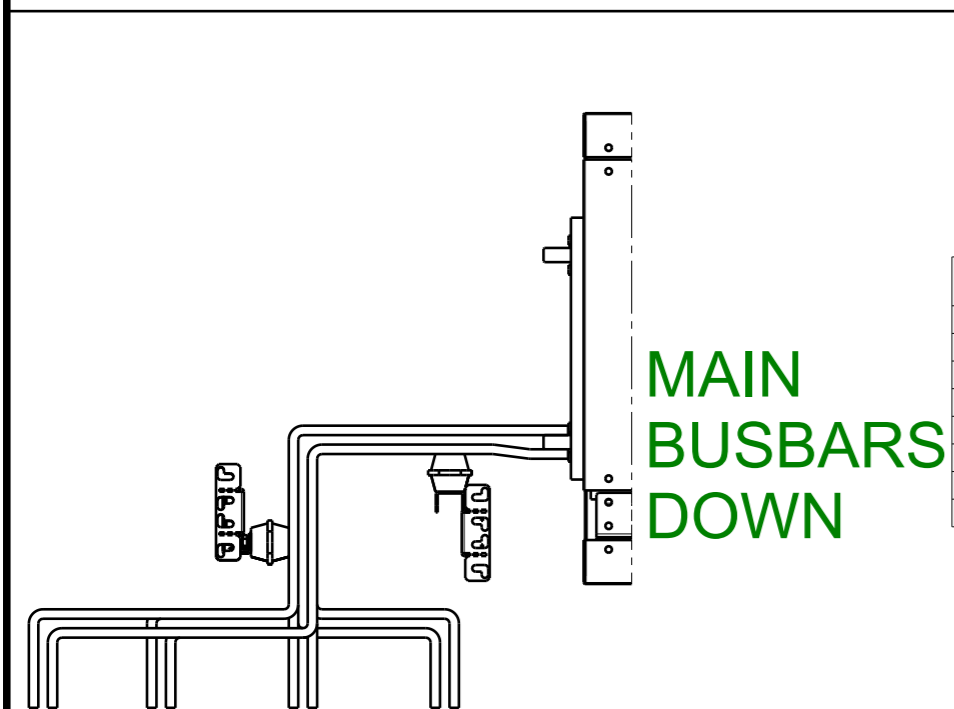
PHASE	POS	A	C	D	
L3	1	L3.1	295.5	84.25	160
	2	L3.2	275.5	104.25	160
L2	1	L2.1	295.5	-	-
	2	L2.2	275.5	-	-
L1	1	L1.1	295.5	104.25	160
	2	L1.2	275.5	84.25	160
N	1	N.1	295.5	104.25	285
	2	N.2	275.5	84.25	285



**N-L1**

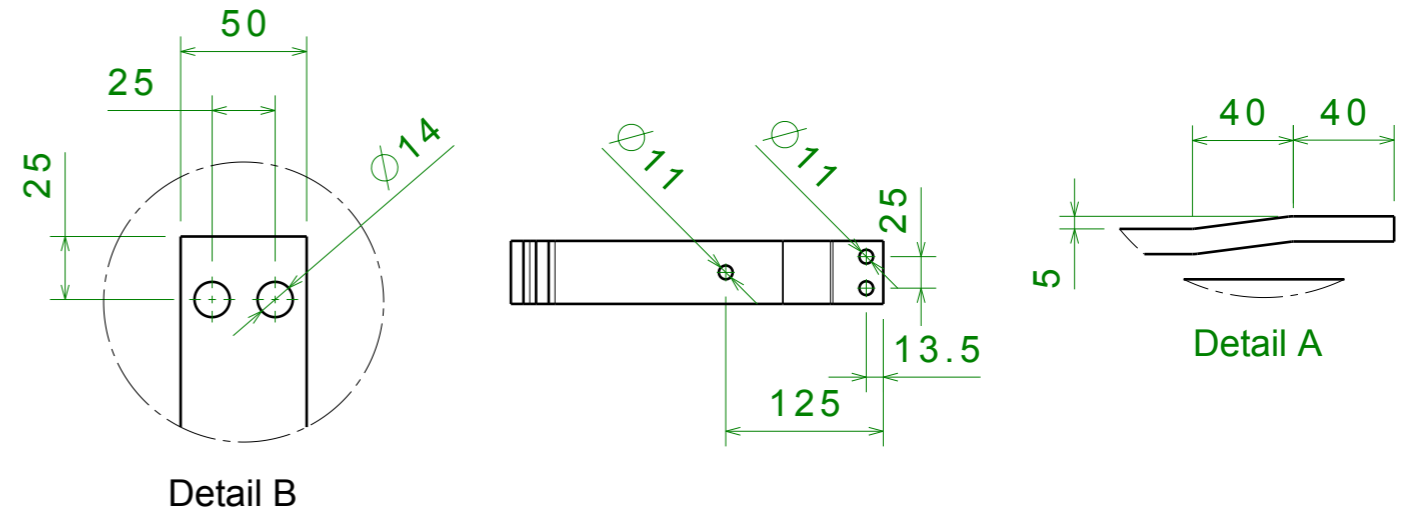
**L2**

**L3**



**MAIN  
BUSBARS  
DOWN**

	B	E
L3.1	298.5	125
L3.2	278.5	105
L2.1	298.5	125
L2.2	278.5	105
L1.1	298.5	125
L1.2	278.5	105
N.1	298.5	125
N.2	278.5	105

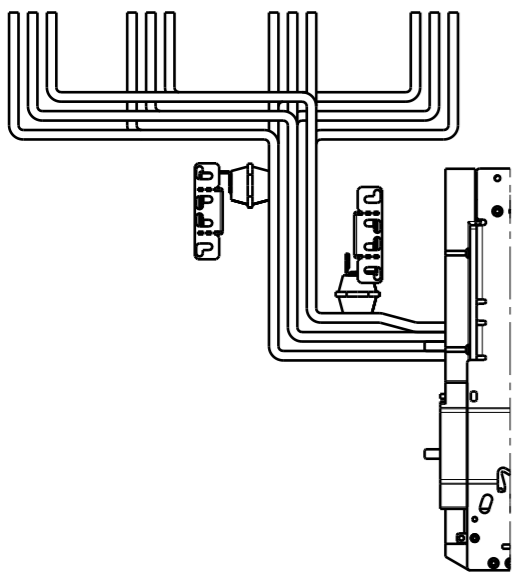


Detail B

Detail A

AGG. DI SEGNO	SCALA SCALE :	N° PROGETTO : PROJECT	XXX.XX
DISEGNATORE DESIGNER :	APPROVAZIONE : APPROVAL	<b>ABB</b> <b>ABB SACE ADB</b>	
MODIFICA	DATA DATE : xx-xx-xx	DENOMINAZIONE/NAME: E1.2 1000A/1250A/1600A W CONNECTION BUSBARS 2x50x10xP	DISEGNO N° /DRAWING N° 8 6 3 7 1 8
DATA	Formato A3 Formed		

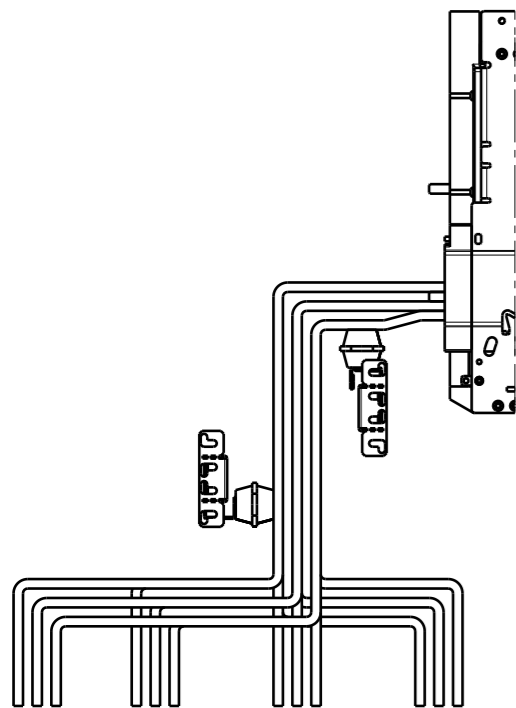




# MAIN BUSBARS UP

	B	E
L3.1	368	185
L3.2	348	165
L3.3	338	155
L2.1	368	185
L2.2	348	165
L2.3	338	155
L1.1	368	185
L1.2	348	165
L1.3	338	155
N.1	368	185
N.2	348	165
N.3	338	155

PHASE	POS	A	C	D	
L3	1	L3.1	196.65	94.25	160
	2	L3.2	176.65	114.25	160
	3	L3.3	156.65	134.25	160
L2	1	L2.1	196.65	-	-
	2	L2.2	176.65	-	-
	3	L2.3	156.65	-	-
L1	1	L1.1	196.65	134.25	160
	2	L1.2	176.65	114.25	160
	3	L1.3	156.65	94.25	160
N	1	N.1	196.65	134.25	285
	2	N.2	176.65	114.25	285
	3	N.3	156.65	94.25	285

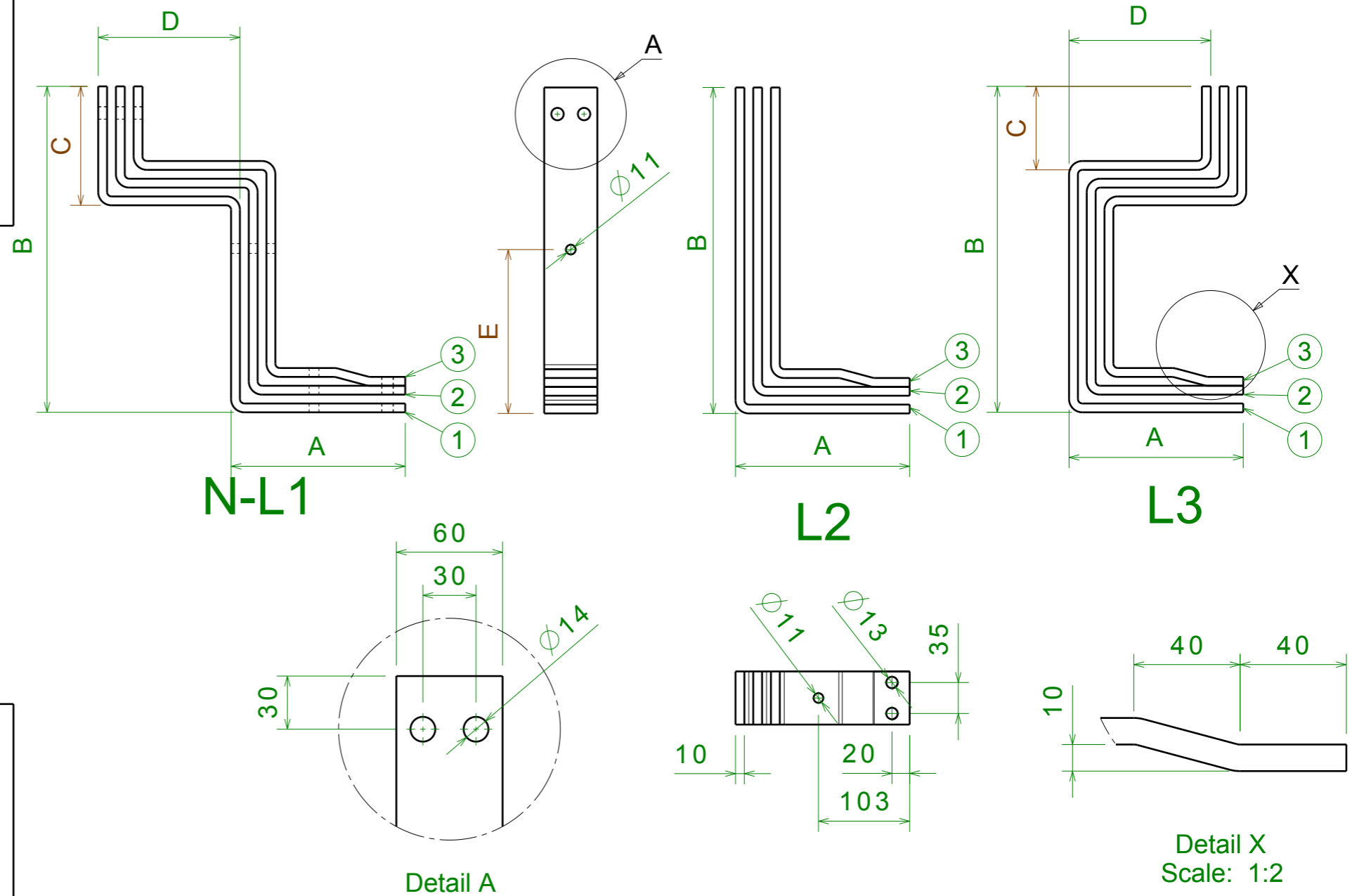


# MAIN BUSBARS DOWN

	B	E
L3.1	468	235
L3.2	448	215
L3.3	438	205
L2.1	468	235
L2.2	448	215
L2.3	438	205
L1.1	468	235
L1.2	448	215
L1.3	438	205
N.1	468	235
N.2	448	215
N.3	438	205

# CONNECTIONS FOR E2.2 WITHDRAWABLE 2000A

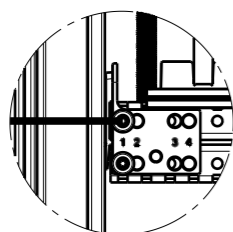
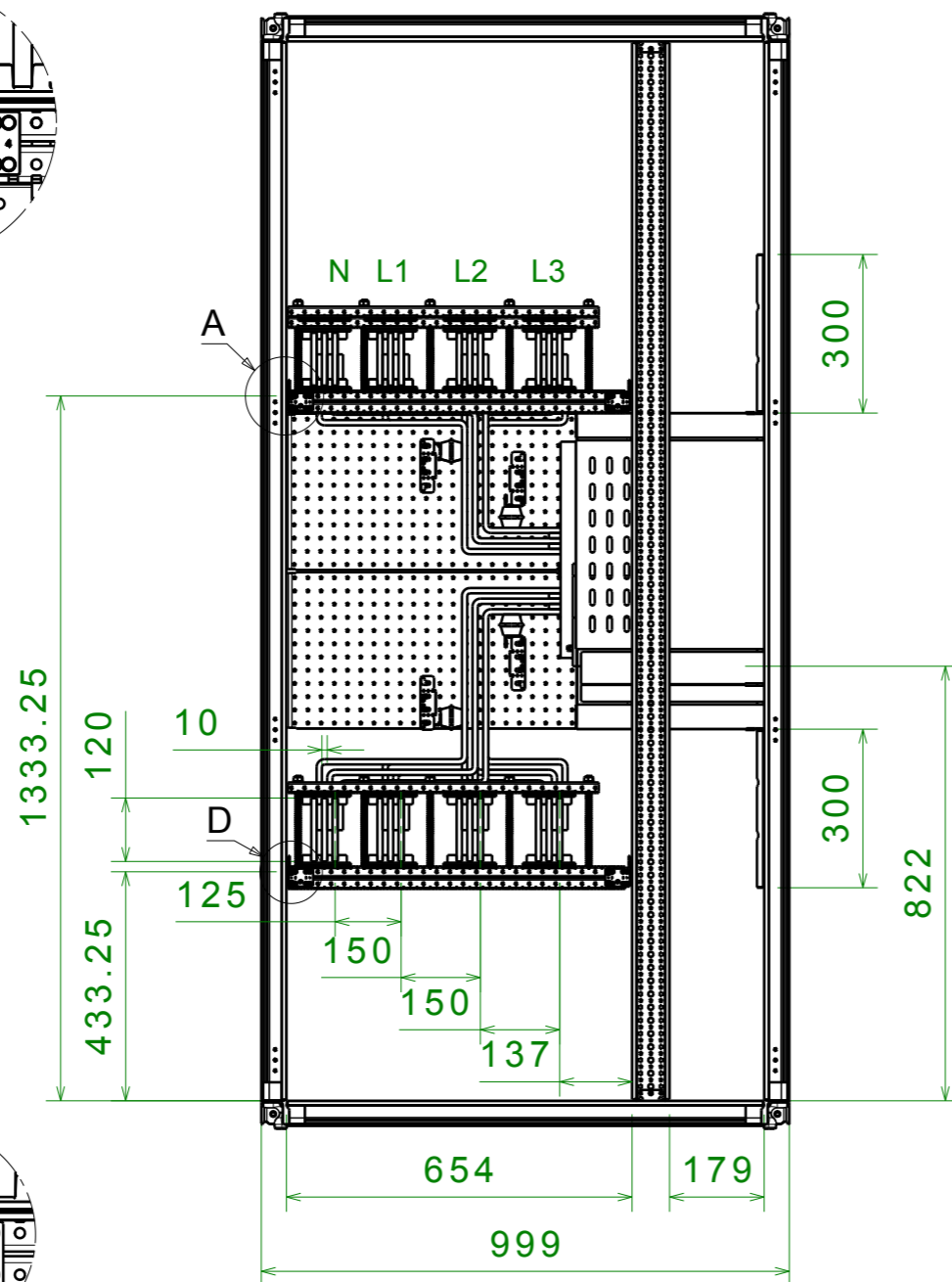
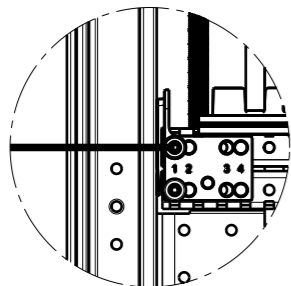
SPEP P = 900mm  
 BUSBARS HOLDER PBHB3121 (100mm)  
 MAIN BUSBAR IP40 / IP41 / IP65 : 4000A (3x120x10);



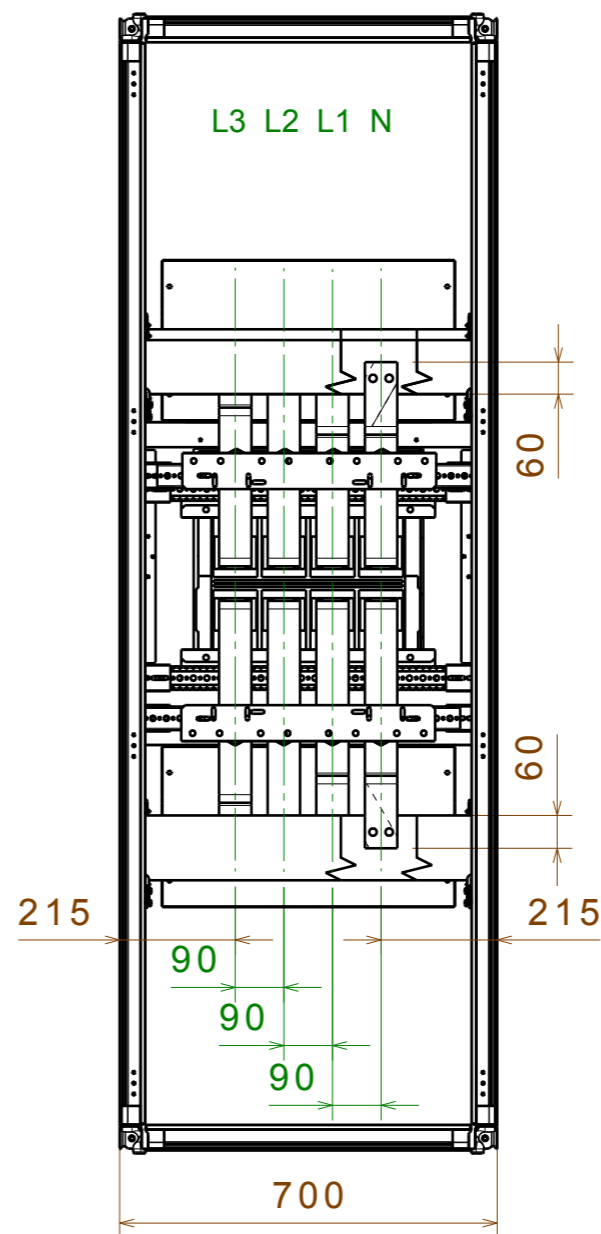
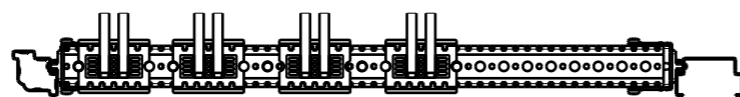
AGG. DI SEGNO	SCALA SCALE : 1:6	N° PROGETTO : XXX.XX
DESIGNER	DESIGNER	PROJECT
APPROVAZIONE	APPROVAL	<b>ABB</b> <b>ABB SACE ADB</b>
DATE	DATE : xx-xx-xx	DENOMINAZIONE/NAME:
FORMATO	Formato A3 Formed	E2.2 2000A W CONNECTION BUSBARS 3x60x10xP
		DISEGNO N° /DRAWING N°
		8 6 3 7 0 6

# ASSEMBLY DRAWING E2.2 2500A W ALIM BUSBARS 3x120x10xP

Detail A

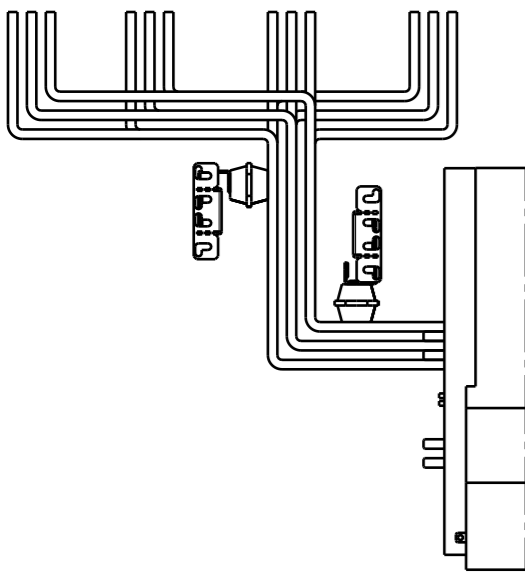


Detail D



## CONNECTION BUSBARS 3x60x10xP

AGG. DI SEGNO	SCALA SCALE	: 1:14	N° PROGETTO : PROJECT	XXX.XX						
MODIFICA	DISEGNATORE DESIGNER	:	<b>ABB SACE ADB</b>							
DATA	APPROVAZIONE APPROVAL	:								
	DATA DATE	: xx-xx-xx	DENOMINAZIONE/NAME:							
		Formato A3 Formed	E2.2 2500A W CONNECTION BUSBARS 3x60x10xP							
			DISEGNO N° /DRAWING N°							
			<table border="1" style="display: inline-table;"> <tr> <td>8</td> <td>6</td> <td>3</td> <td>7</td> <td>2</td> <td>1</td> </tr> </table>		8	6	3	7	2	1
8	6	3	7	2	1					



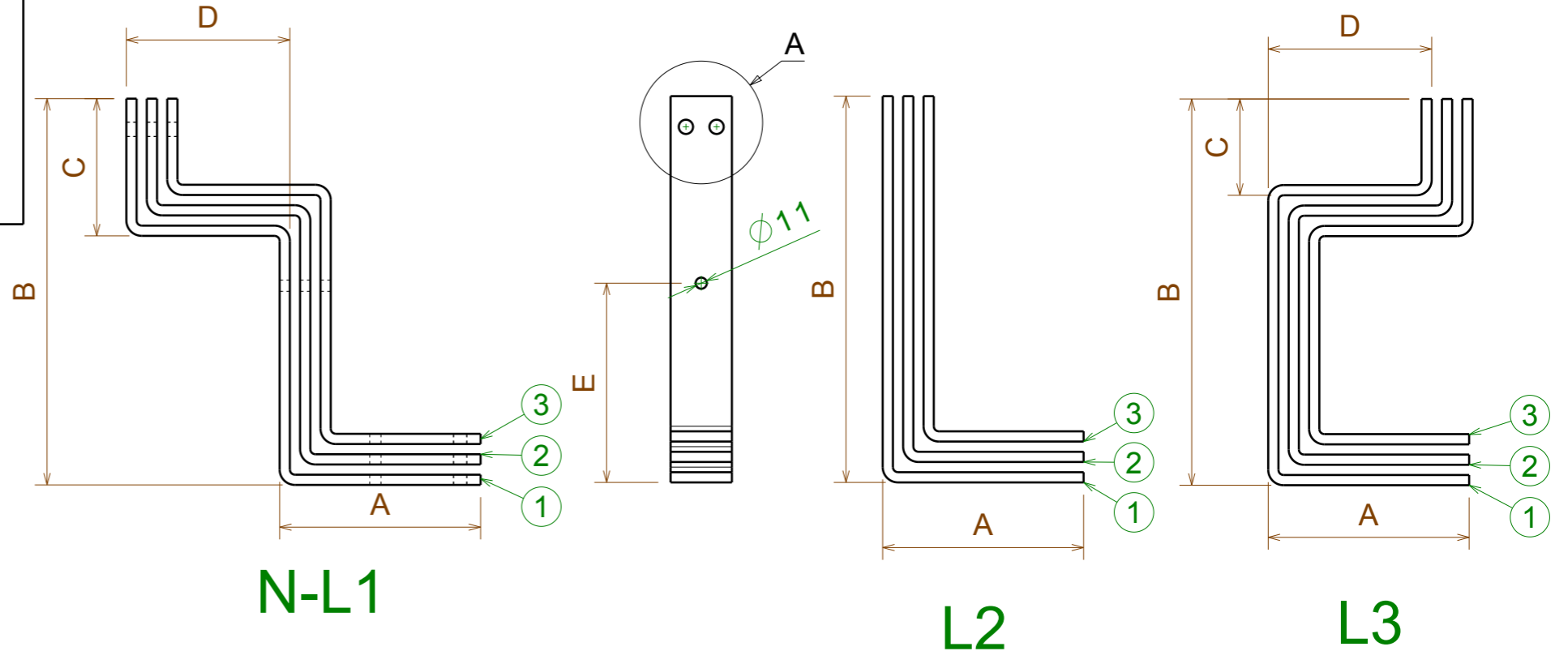
# MAIN BUSBARS UP

	B	E
L3.1	378	195
L3.2	358	175
L3.3	338	155
L2.1	378	195
L2.2	358	175
L2.3	338	155
L1.1	378	195
L1.2	358	175
L1.3	338	155
N.1	378	195
N.2	358	175
N.3	338	155

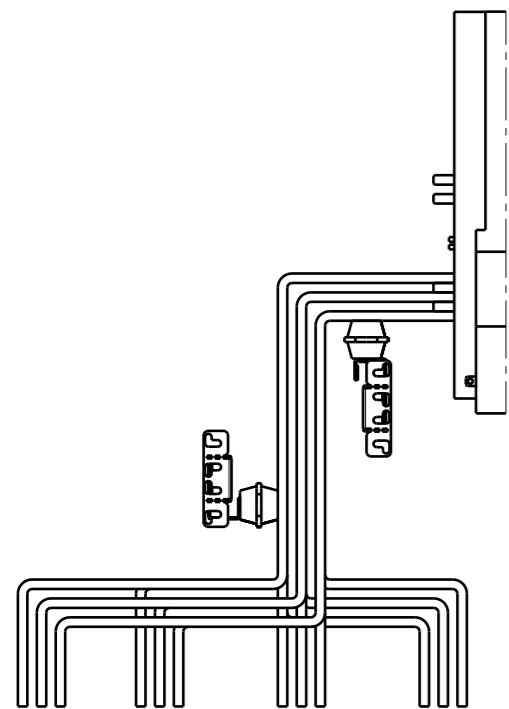
# CONNECTIONS FOR E2.2 WITHDRAWABLE 2500A

## I<sub>cw</sub> > 36KA

SPEP P = 900mm  
 BUSBARS HOLDER PBHB3121 (100mm)  
 MAIN BUSBAR IP40 / IP41 / IP65 : 4000A (3x120x10);

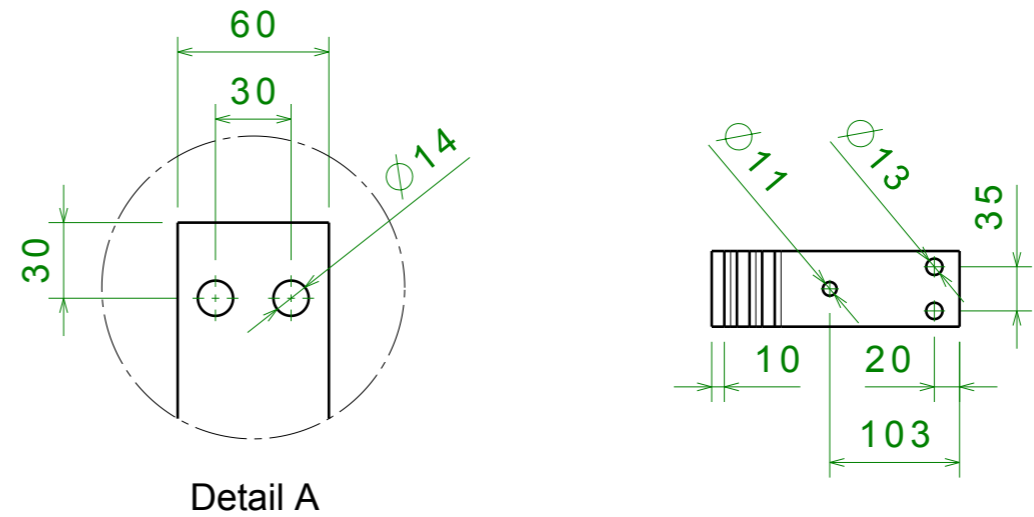


PHASE	POS	A	C	D	
L3	1	L3.1	196.65	94.25	160
	2	L3.2	176.65	114.25	160
	3	L3.3	156.65	134.25	160
L2	1	L2.1	196.65	-	-
	2	L2.2	176.65	-	-
	3	L2.3	156.65	-	-
L1	1	L1.1	196.65	134.25	160
	2	L1.2	176.65	114.25	160
	3	L1.3	156.65	94.25	160
N	1	N.1	196.65	134.25	285
	2	N.2	176.65	114.25	285
	3	N.3	156.65	94.25	285



# MAIN BUSBARS DOWN

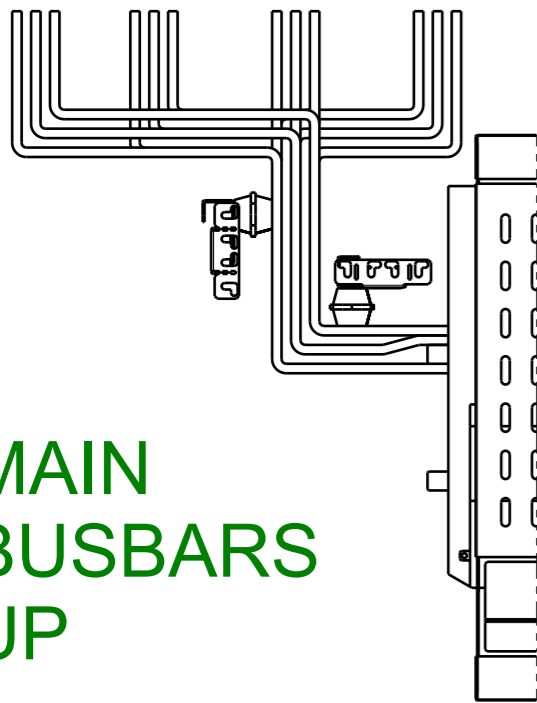
	B	E
L3.1	458	245
L3.2	438	225
L3.3	418	205
L2.1	458	245
L2.2	438	225
L2.3	418	205
L1.1	458	245
L1.2	438	225
L1.3	418	205
N.1	458	245
N.2	438	225
N.3	418	205



AGG. DI SEGNO	SCALA SCALE : 1:8	N° PROGETTO / PROJECT : XXX.XX
DISEGNATORE / DESIGNER		
APPROVAZIONE / APPROVAL		<b>ABB</b> <b>ABB SACE ADB</b> DENOMINAZIONE/NAME : E2.2 2500A W CONNECTION BUSBARS 3x60x10xP
DATA DATE : xx-xx-xx	Formato A3 Formed	
DISEGNO N° / DRAWING N° <b>8 6 3 7 0 3</b>		



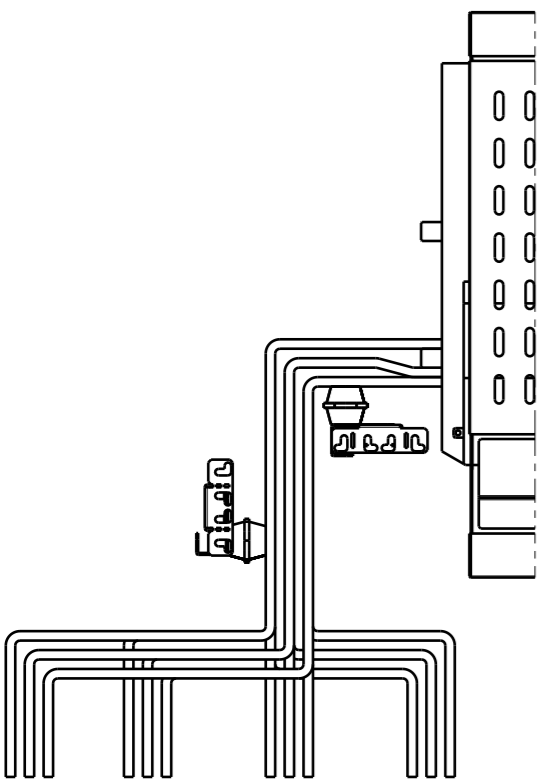




**MAIN  
BUSBARS  
UP**

	B	E
L3.1	383	168
L3.2	363	148
L3.3	343	128
L2.1	383	168
L2.2	363	148
L2.3	343	128
L1.1	383	168
L1.2	363	148
L1.3	343	128
N.1	383	168
N.2	363	148
N.3	343	128

PHASE	POS	A	C	D	
L3	1	L3.1	196.4	114.25	160
	2	L3.2	176.4	134.25	160
	3	L3.3	156.4	154.25	160
L2	1	L2.1	196.4	-	-
	2	L2.2	176.4	-	-
	3	L2.3	156.4	-	-
L1	1	L1.1	196.4	154.25	160
	2	L1.2	176.4	134.25	160
	3	L1.3	156.4	114.25	160
N	1	N.1	196.4	154.25	285
	2	N.2	176.4	134.25	285
	3	N.3	156.4	114.25	285

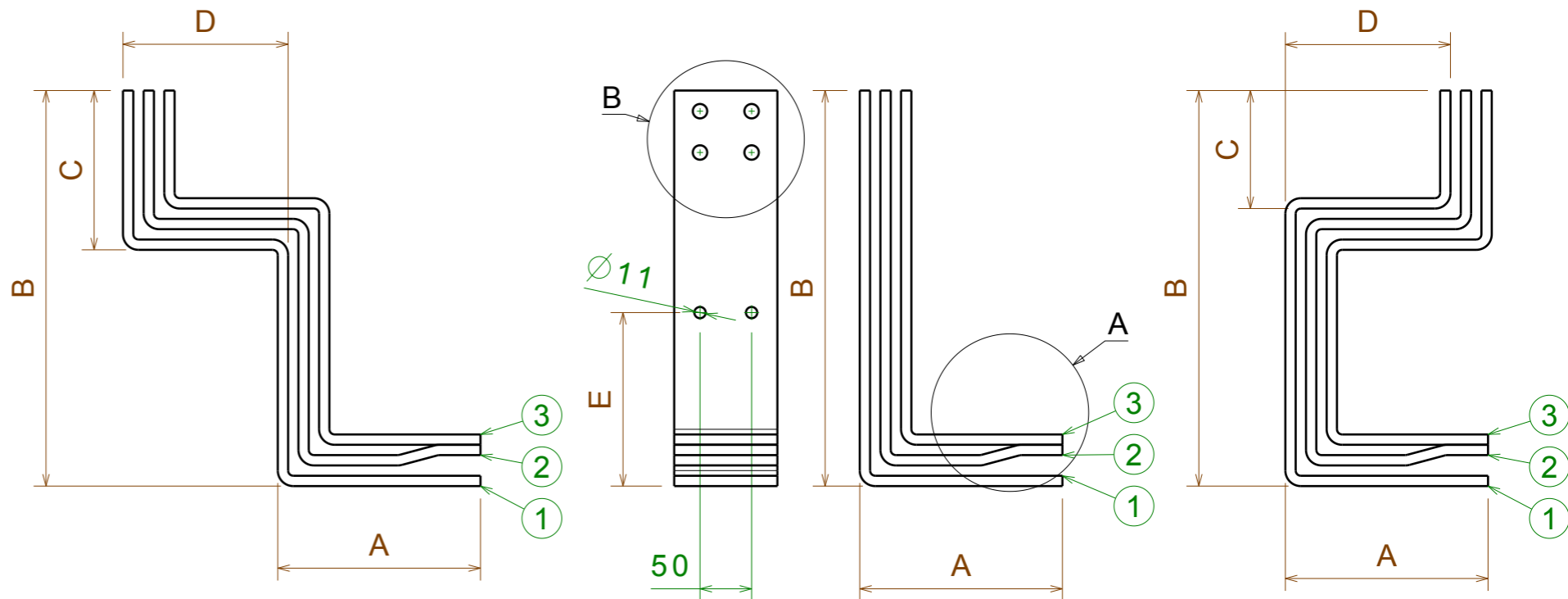


**MAIN  
BUSBARS  
DOWN**

	B	E
L3.1	463	213
L3.2	443	193
L3.3	423	173
L2.1	463	213
L2.2	443	193
L2.3	423	173
L1.1	463	213
L1.2	443	193
L1.3	423	173
N.1	463	213
N.2	443	193
N.3	423	173

# CONNECTIONS FOR E4.2 WITHDRAWABLE 3200A

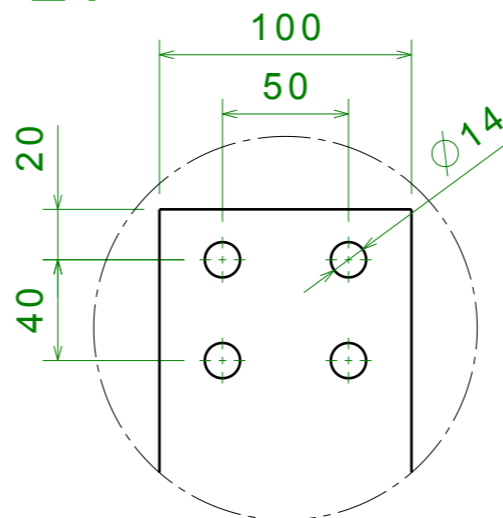
SPEP P = 900mm  
 BUSBARS HOLDER PBHB3121 (100mm)  
 MAIN BUSBAR IP40 / IP41 / IP65 : 4000A (3x120x10)



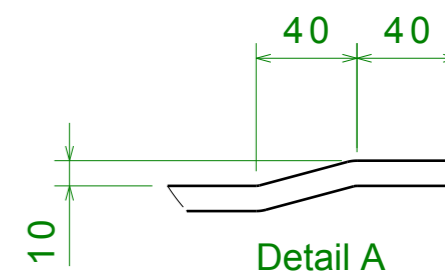
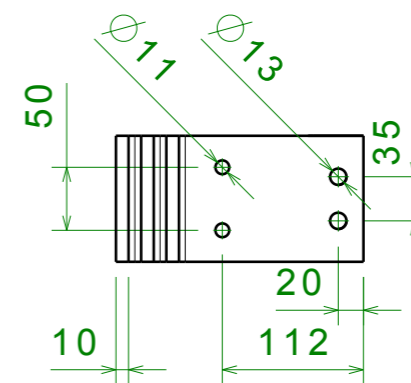
**N-L1**

**L2**

**L3**



Detail B

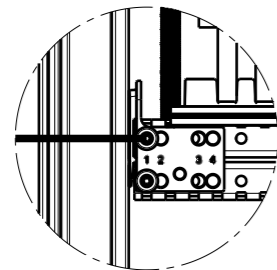
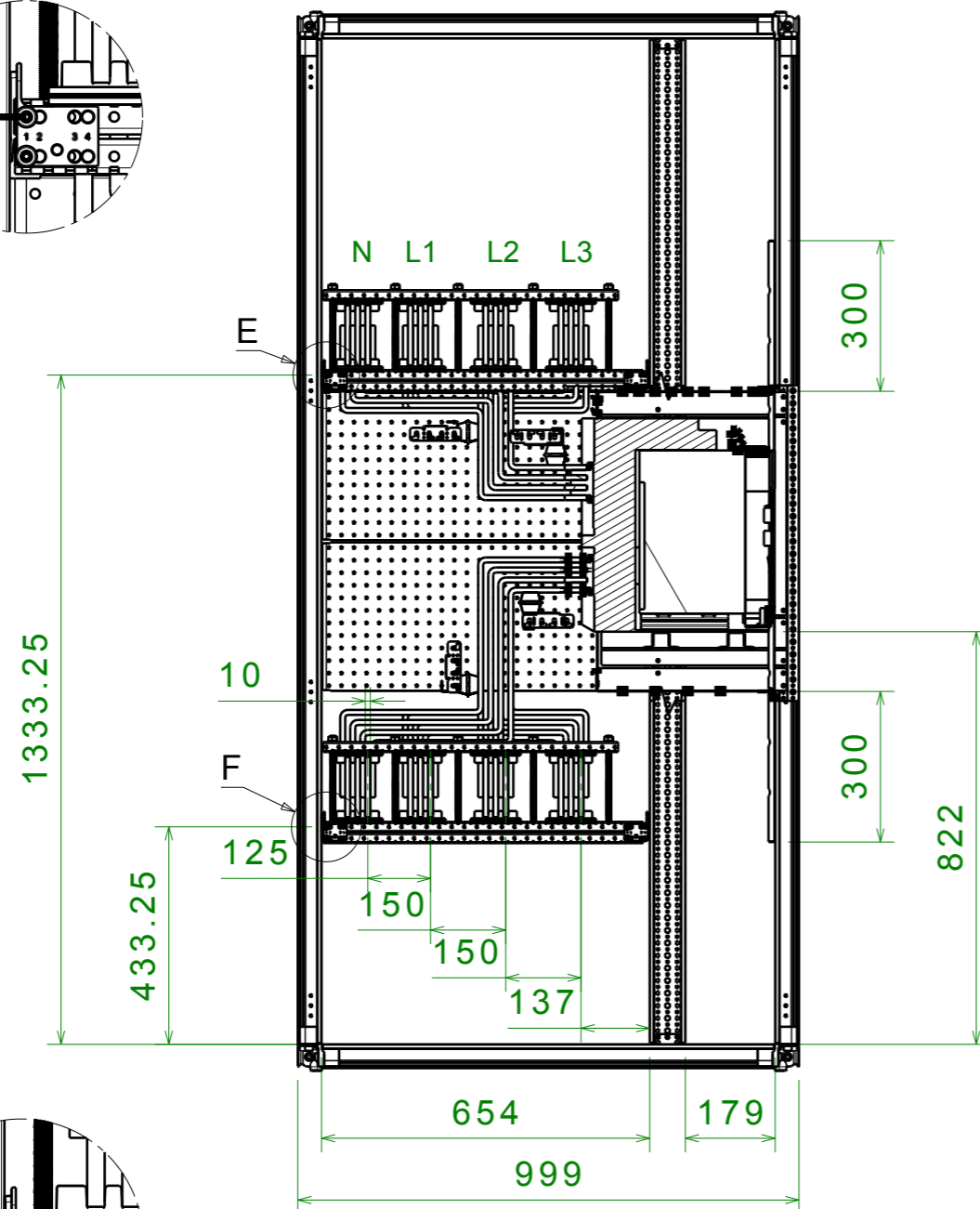
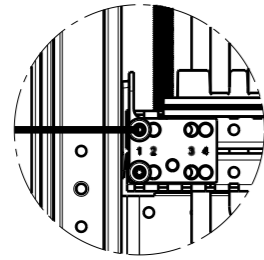


Detail A

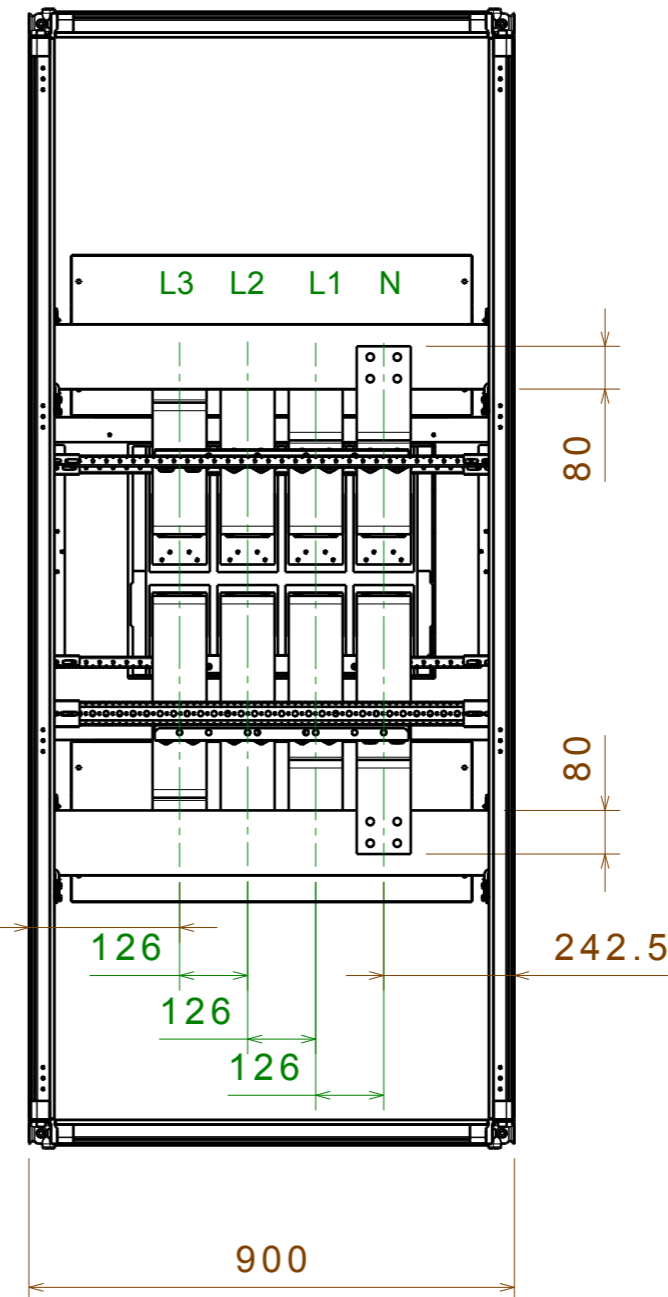
AGG. DI SEGNO	SCALA SCALE	: 1:6	N° PROGETTO PROJECT	XXX.XX
DESIGNER	DISEGNATORE DESIGNER		ABB SACE ADB	
APPROVAZIONE	APPROVAL		DISEGNO N° / DRAWING N°	
DATA	DATE	: xx-xx-xx	E4.2 3200A W CONNECTION BUSBARS 3x100x10xP	
FORMATO	FORMATO	A3 Formed	8 6 3 7 0 0	

# ASSEMBLY DRAWING E4.2 4000A W MAIN BUSBARS 3x120x10xP

Detail E

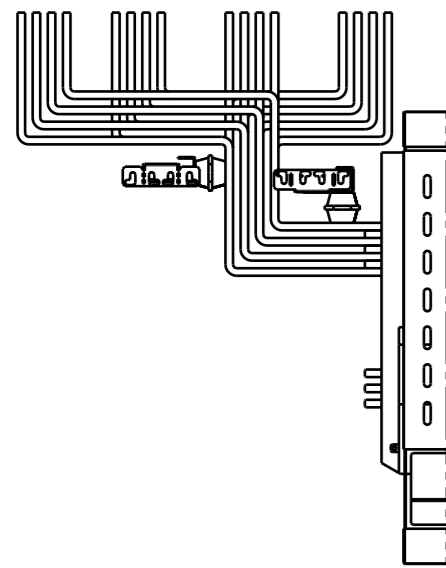


Detail F



## CONNECTION BUSBARS 4x100x10xP

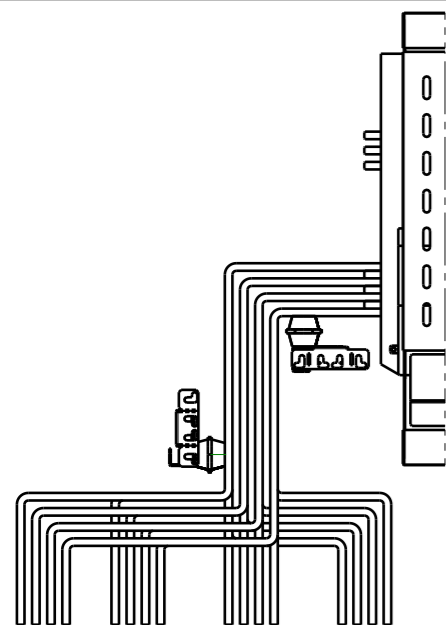
AGG. DI SEGNO	SCALA SCALE	: 1:14	N° PROGETTO : PROJECT	XXX.XX
DESIGNER	DISEGNATORE DESIGNER	:	<b>ABB</b> <b>ABB SACE ADB</b> DENOMINAZIONE/NAME: E4.2 4000A W CONNECTION BUSBARS 4x100x10xP	
APPROVAZIONE	APPROVAZIONE	:		
MODIFICA	DATA DATE	: xx-xx-xx	DISEGNO N° /DRAWING N° <b>8 6 3 7 1 9</b>	
DATA	Formato A3 Formed			



**MAIN  
BUSBARS  
UP**

	B	E	F
L3.1	348.75	136	62
L3.2	328.75	116	62
L3.3	308.75	96	62
L3.4	288.75	76	62
L2.1	348.75	136	62
L2.2	328.75	116	62
L2.3	308.75	96	62
L2.4	288.75	76	62
L1.1	348.75	136	62
L1.2	328.75	116	62
L1.3	308.75	96	62
L1.4	288.75	76	62
N.1	348.75	136	62
N.2	328.75	116	62
N.3	308.75	96	62
N.4	288.75	76	62

PHASE	POS		A	C	D
L3	1	L3.1	216.4	114.25	160
	2	L3.2	196.4	134.25	160
	3	L3.3	176.4	154.25	160
	4	L3.4	154.4	174.25	160
L2	1	L2.1	216.4	-	-
	2	L2.2	196.4	-	-
	3	L2.3	176.4	-	-
	4	L2.4	154.4	-	-
L1	1	L1.1	216.4	174.25	160
	2	L1.2	196.4	154.25	160
	3	L1.3	176.4	134.25	160
	4	L1.4	154.4	114.25	160
N	1	N.1	216.4	174.25	285
	2	N.2	196.4	154.25	285
	3	N.3	176.4	134.25	285
	4	N.4	154.4	114.25	285

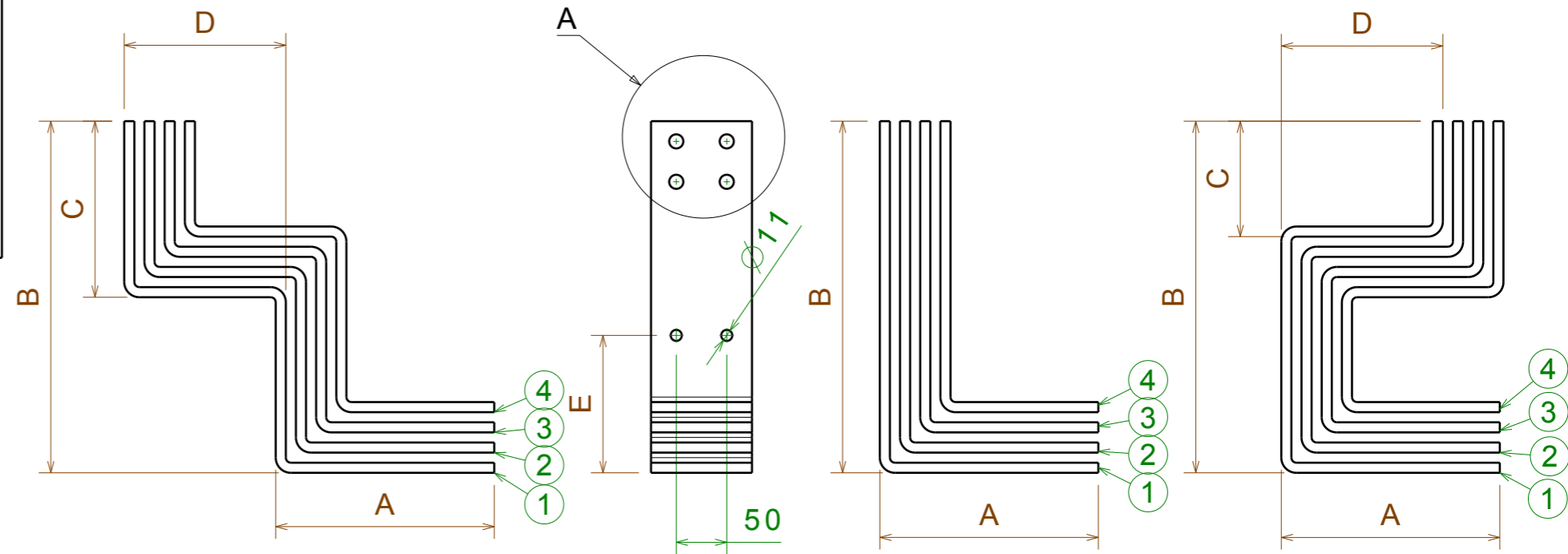


**MAIN  
BUSBARS  
DOWN**

	B	E	F
L3.1	478	253	112
L3.2	458	233	112
L3.3	438	213	112
L3.4	418	193	112
L2.1	478	253	112
L2.2	458	233	112
L2.3	438	213	112
L2.4	418	193	112
L1.1	478	253	112
L1.2	458	233	112
L1.3	438	213	112
L1.4	418	193	112
N.1	478	253	112
N.2	458	233	112
N.3	438	213	112
N.4	418	193	112

# CONNECTIONS FOR E4.2 WITHDRAWABLE 4000A

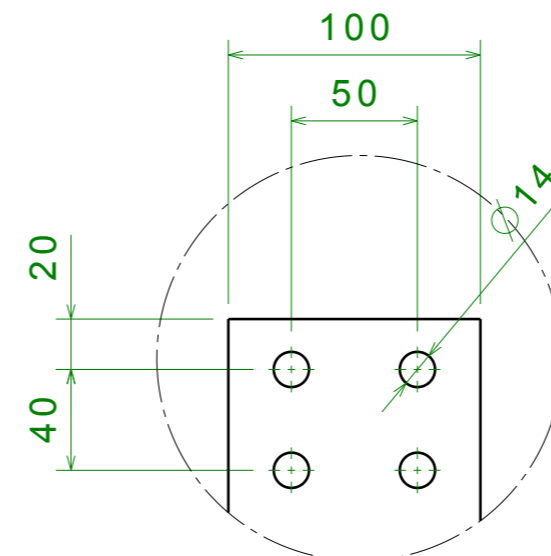
SPEP P=900mm  
 BUSBARS HOLDER PBHB3121 (100mm)  
 MAIN BUSBARS IP40 / IP41 / IP65 : 4000A (3x120x10)



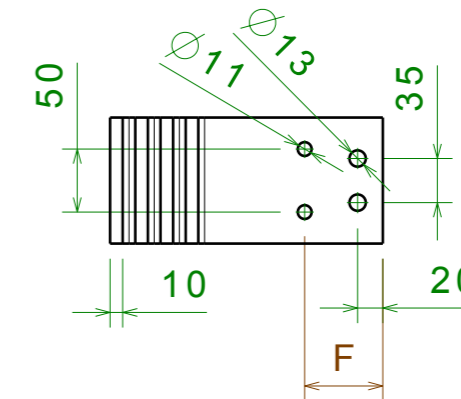
**N-L1**

**L2**

**L3**

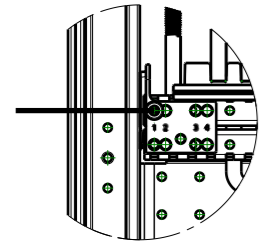


Detail A

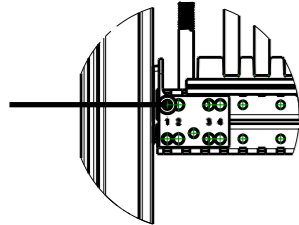


AGG. DI SEGNO	SCALA SCALE	: 1:6	N° PROGETTO PROJECT	XXX.XX
DESIGNER	DISEGNATORE DESIGNER		ABB SACE ADB	
APPROVAZIONE	APPROVAZIONE APPROVAL		DISEGNO N° / DRAWING N°	
DATA	DATA DATE	: xx-xx-xx	E4.2 4000A W CONNECTION BUSBAS 4x100x10xP	
FORMATO	FORMATO FORMED	Formato A3 Formed	8 6 3 6 9 3	

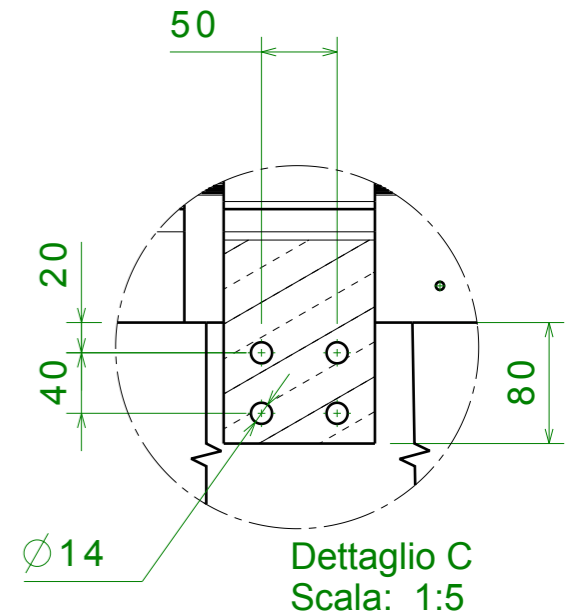
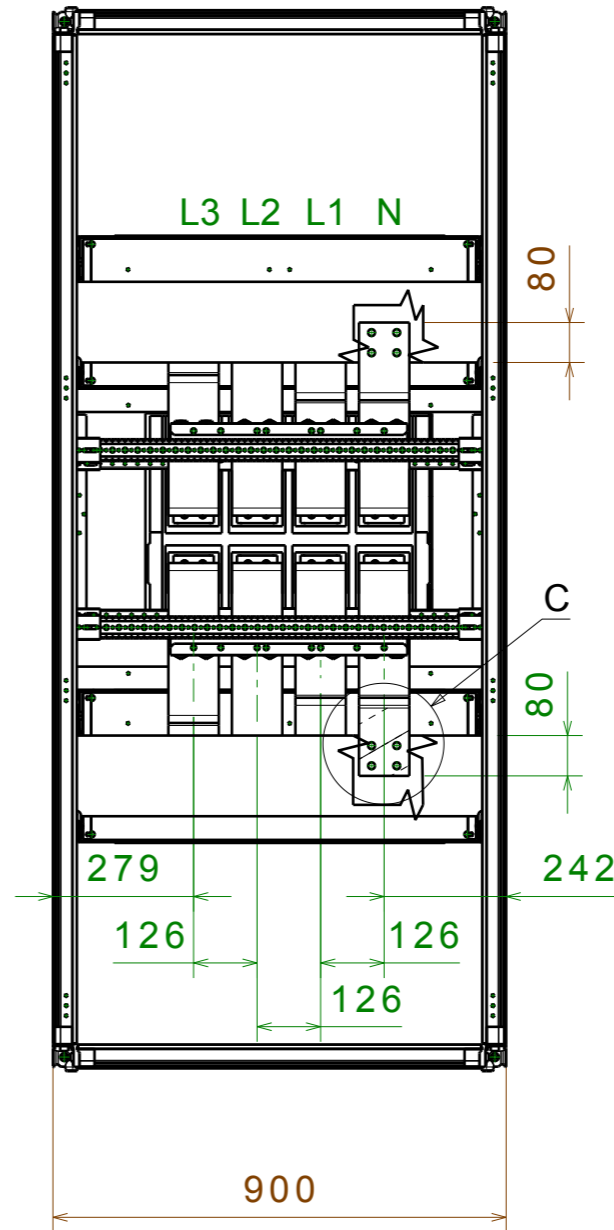
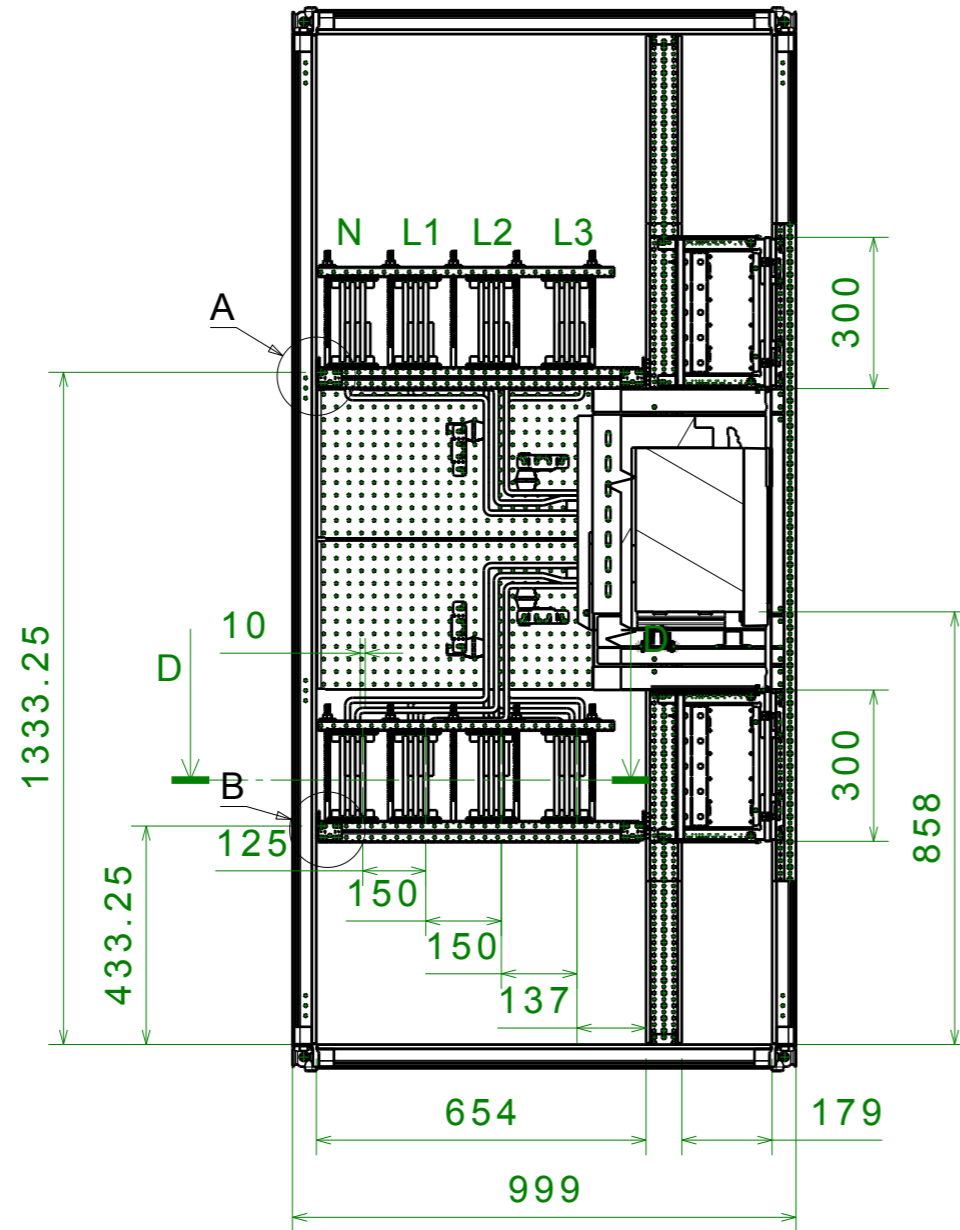
# ASSEMBLY DRAWING E4.2 3200A W ALIM BUSBAR 3x160x10xP



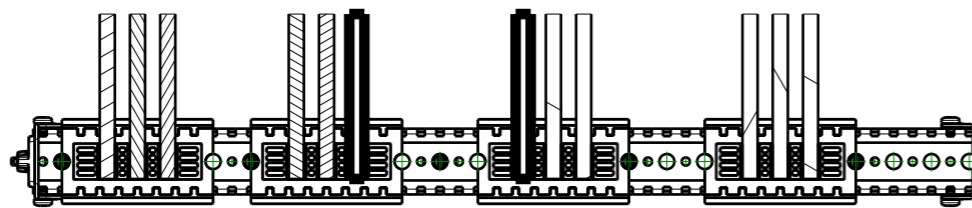
Dettaglio A  
Scala: 1:5



Dettaglio B  
Scala: 1:5



Vista in sezione D-D  
Scala: 1:5

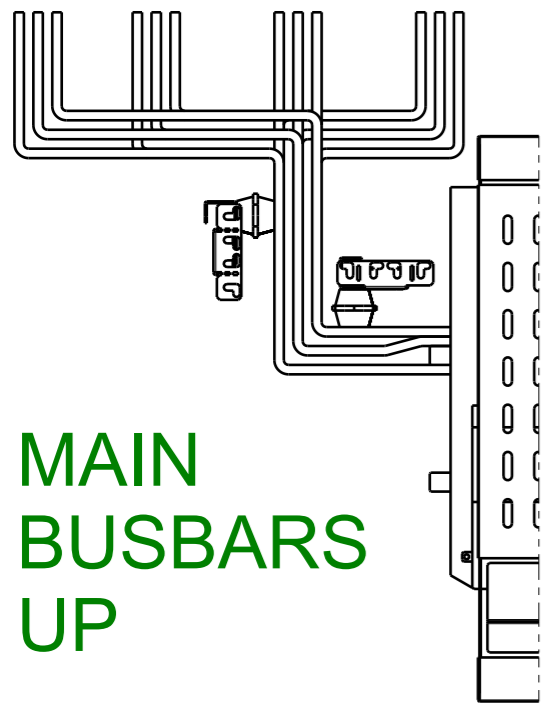


## CONNECTION BUSBARS 3x100x10xP

AGG. DI SEGNO	SCALA SCALE	: 1:14	N° PROGETTO PROJECT	XXX.XX
MODIFICA	DISEGNATORE DESIGNER	:	<b>ABB</b> <b>ABB SACE ADB</b>	
	APPROVAZIONE APPROVAL	:		
DATA	DATA DATE	: xx-xx-xx	DISEGNO N° /DRAWING N°	
	FORMATO FORMED	Formato A3 Formed	E4.2 3200A W CONNECTION BUSBARS 3x100x10xP	
			8 6 3 9 2 2	

# CONNECTIONS FOR E4.2 WITHDRAWABLE 3200A

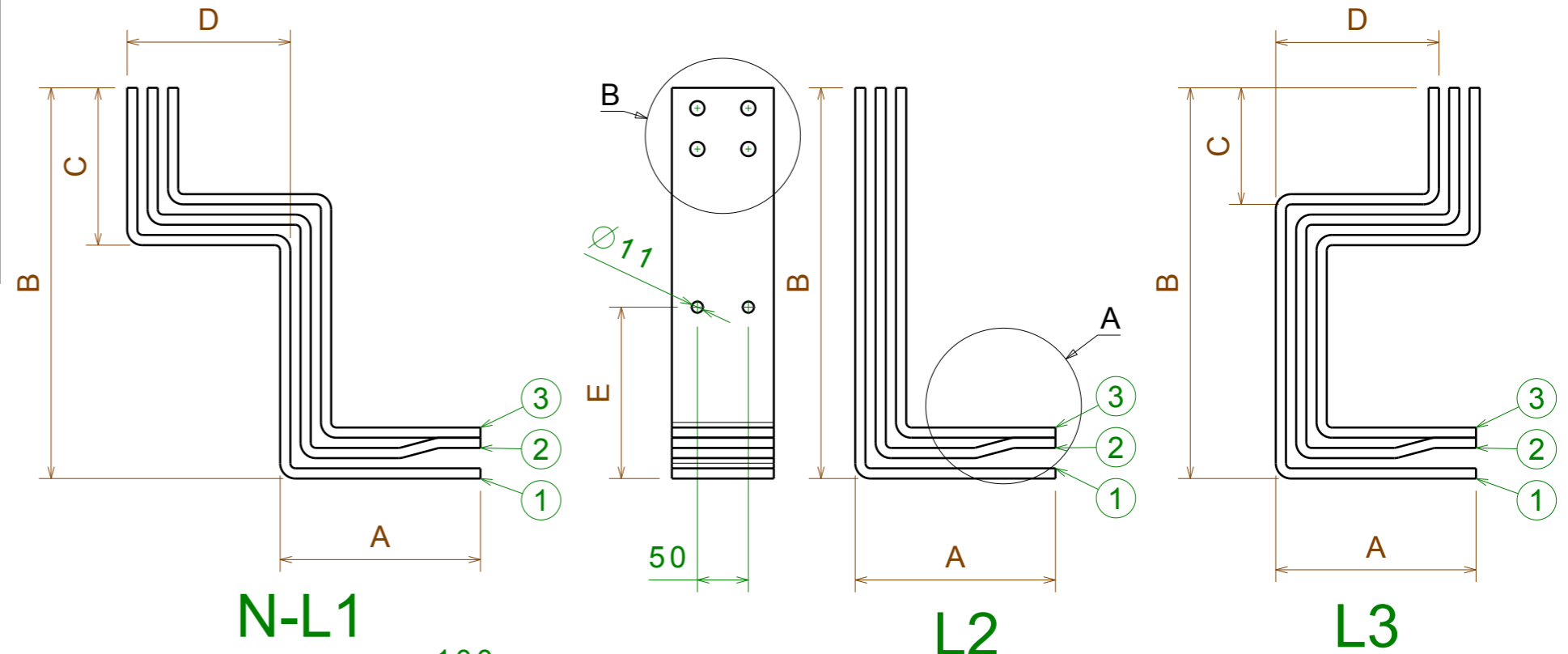
SPEP P = 900mm  
 BUSBARS HOLDER PBHB3121 (100mm)  
 MAIN BUSBAR IP40 / IP41 / IP65 : 5000A (3x160x10)



MAIN  
BUSBARS  
UP

POS	B
L3.1	383
L3.2	363
L3.3	343
L2.1	383
L2.2	363
L2.3	343
L3.1	383
L3.2	363
L3.3	343
N.1	383
N.2	363
N.3	343

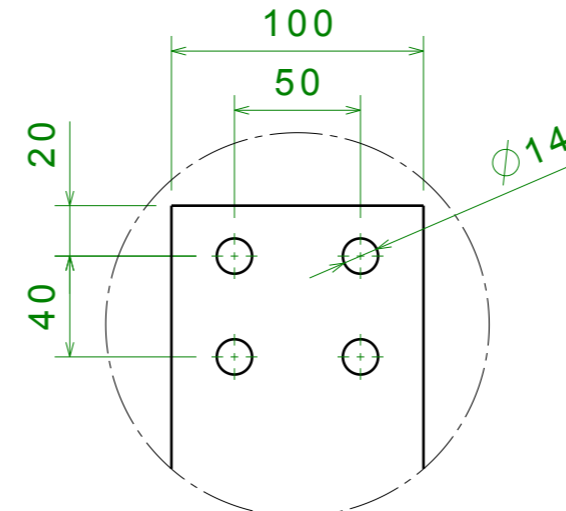
PHASE	POS	A	C	D	E
L3	1 L3.1	196.4	114.25	160	168
	2 L3.2	176.4	134.25	160	148
	3 L3.3	156.4	154.25	160	128
L2	1 L2.1	196.4	-	-	168
	2 L2.2	176.4	-	-	148
	3 L2.3	156.4	-	-	128
L1	1 L1.1	196.4	154.25	160	168
	2 L1.2	176.4	134.25	160	148
	3 L1.3	156.4	114.25	160	128
N	1 N.1	196.4	154.25	285	168
	2 N.2	176.4	134.25	285	148
	3 N.3	156.4	114.25	285	128



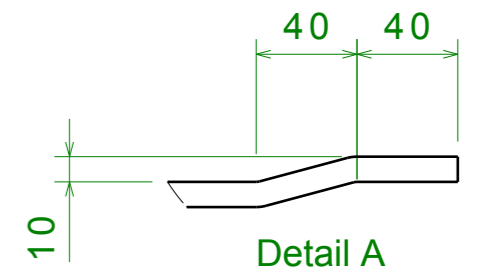
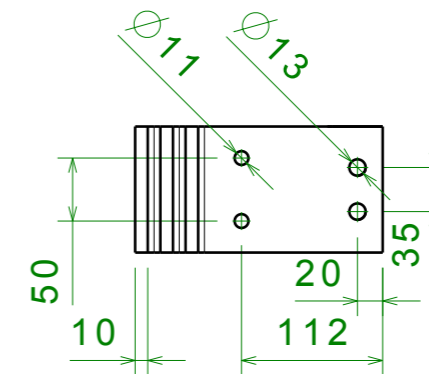
N-L1

L2

L3

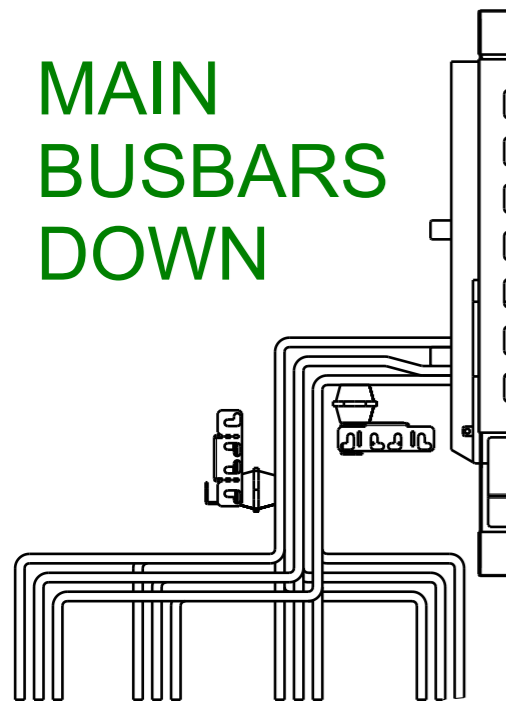


Detail B



Detail A

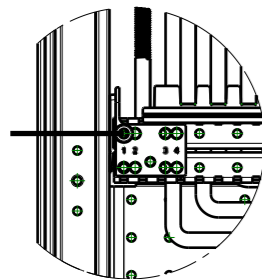
MAIN  
BUSBARS  
DOWN



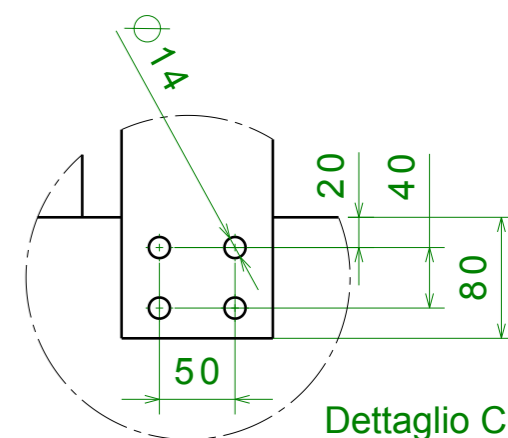
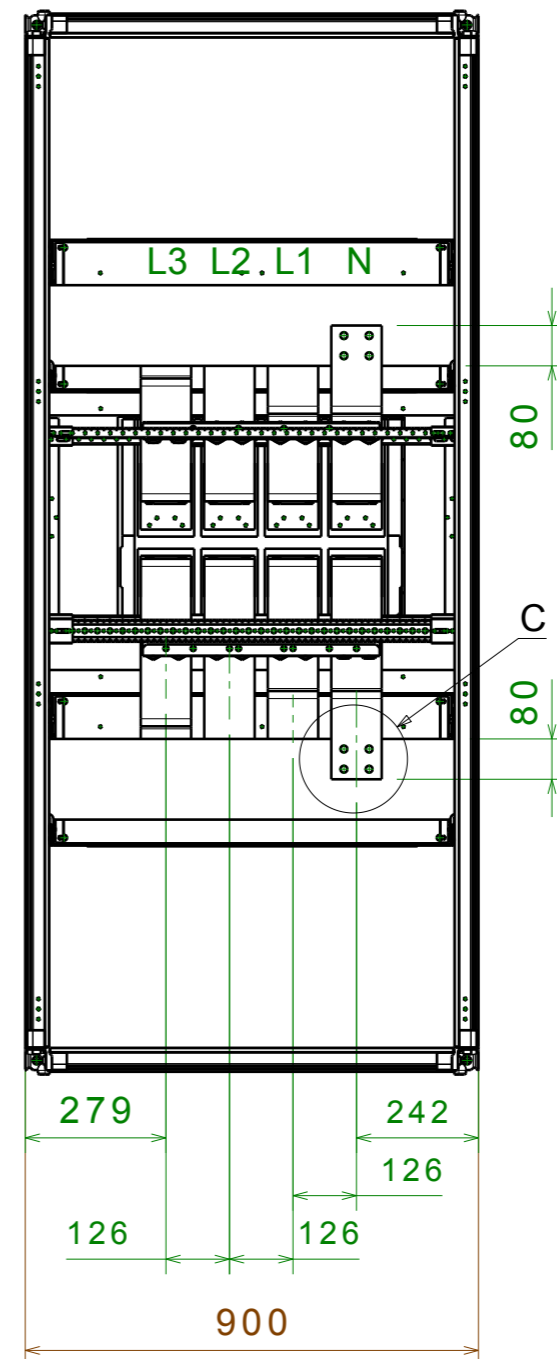
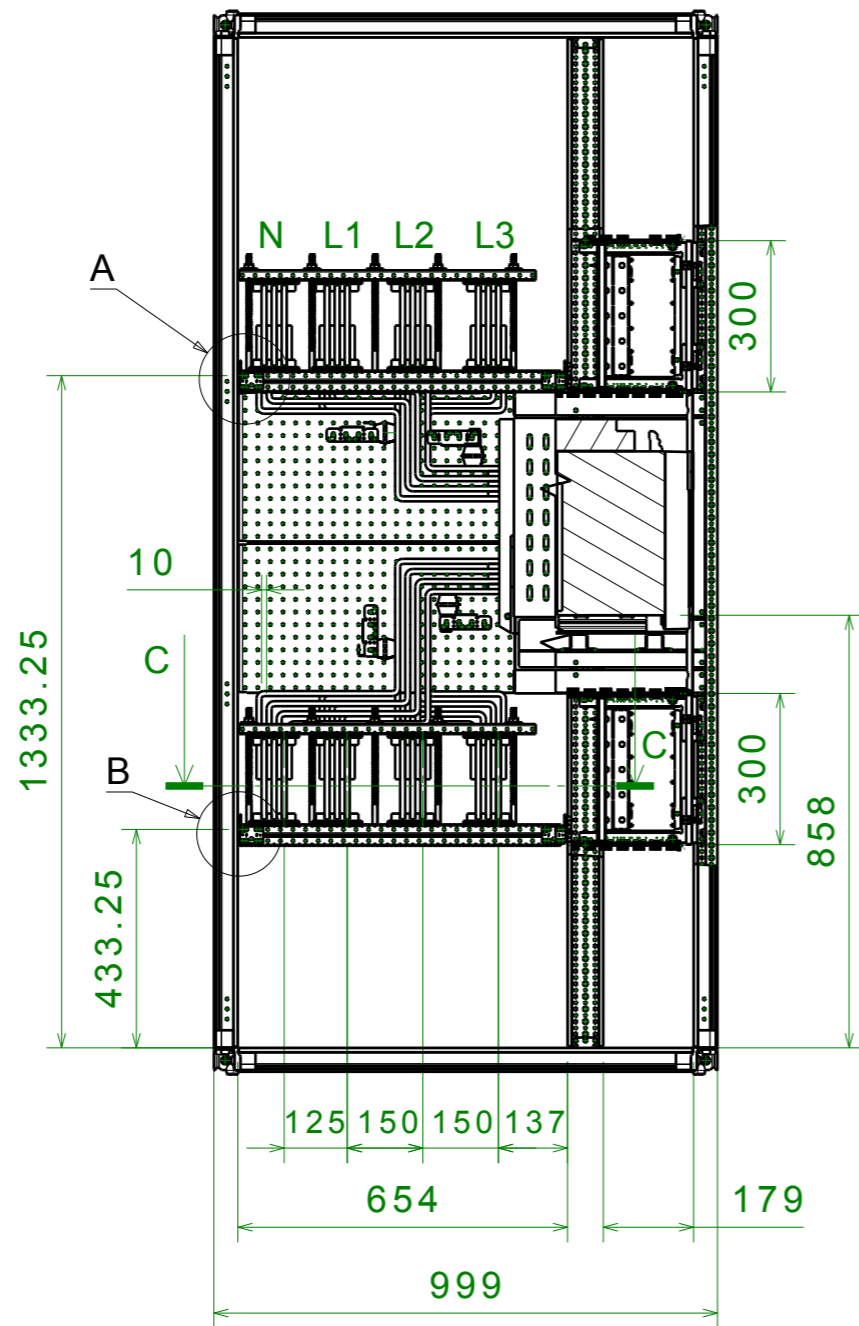
POS	B
L3.1	422.25
L3.2	402.25
L3.3	382.25
L2.1	422.25
L2.2	402.25
L2.3	382.25
L3.1	422.25
L3.2	402.25
L3.3	382.25
N.1	422.25
N.2	402.25
N.3	382.25

AGG. DI SEGNO	SCALA SCALE : 1:6	N° PROGETTO PROJECT : XXX.XX
DESIGNER	DESIGNER	ABB SACE ADB
APPROVAZIONE APPROVAL	DATE : xx-xx-xx	DENOMINAZIONE/NAME : E4.2 3200A W CONNECTION BUSBARS 3x100x10xP
MODIFICA	FORMATO A3 Formed	DISEGNO N° /DRAWING N° : 8 6 3 8 6 5
DATA		

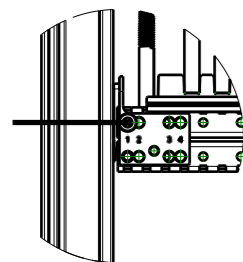
# ASSEMBLY DRAWING E4.2 4000A W ALIM BUSBAR 3x160x10xP



Dettaglio A  
Scala: 1:5

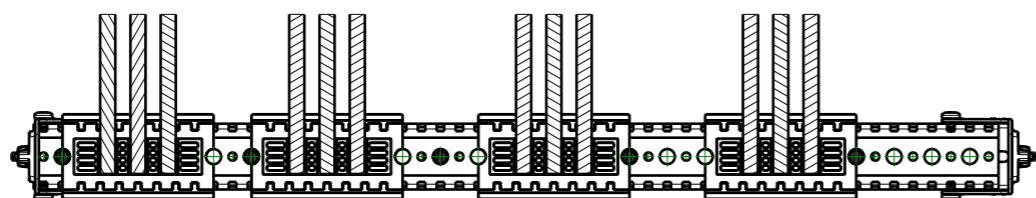


Dettaglio C  
Scala: 1:5



Dettaglio B  
Scala: 1:5

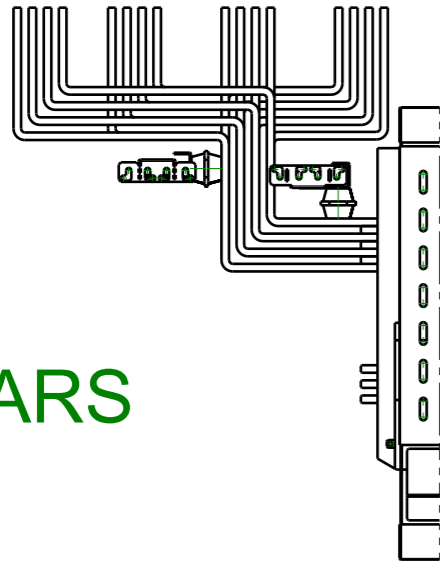
Vista in sezione C-C  
Scala: 1:5



## CONNECTION BUSBARS 4x100x10xP

AGG. DI SEGNO	SCALA SCALE : 1:14	N° PROGETTO : XXX.XX PROJECT
DISEGNATORE DESIGNER		
MODIFICA	APPROVAZIONE : APPROVAL	ABB ABB SACE ADB DENOMINAZIONE/NAME:
DATA DATE : xx-xx-xx		
FORMATO A3 Formed	Formato A3 Formed	E4.2 4000A W CONNECTION BUSBARS 4x100x10xP
DISEGNO N° /DRAWING N°		8 6 3 9 2 0

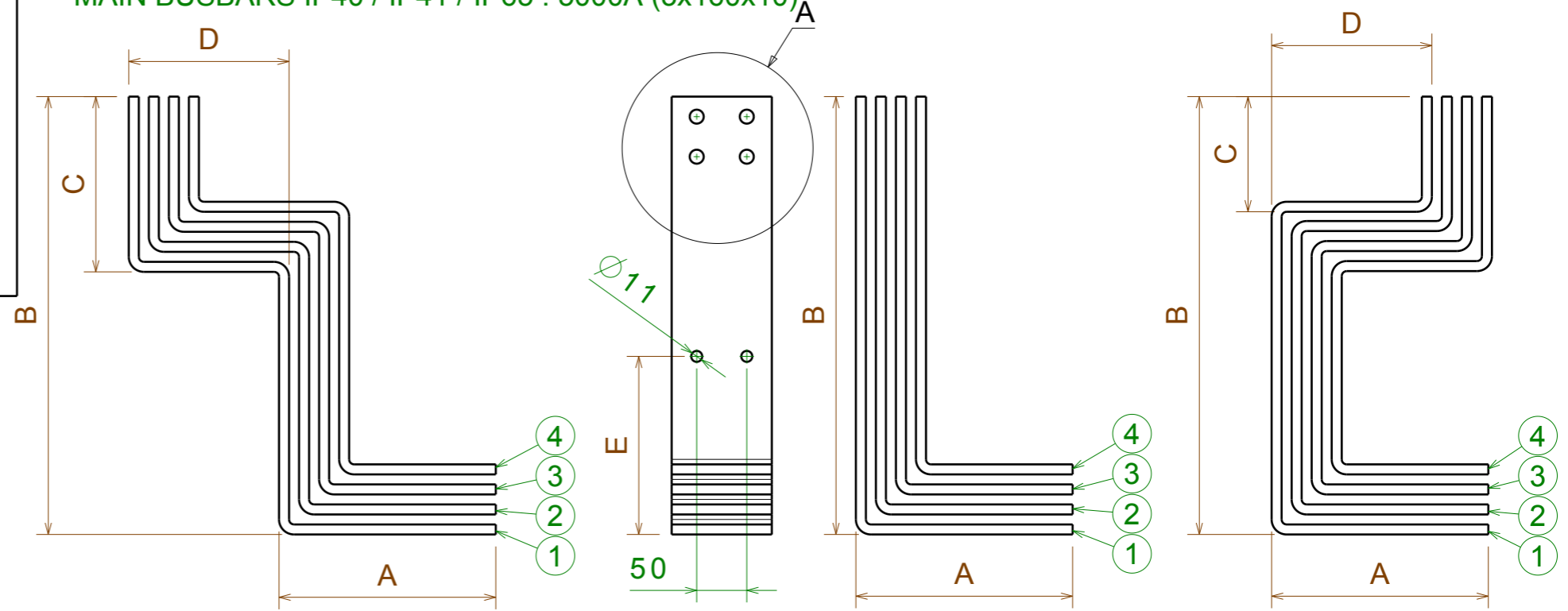
# MAIN BUSBARS UP



	B	E	F
L3.1	348.75	136	62
L3.2	328.75	116	62
L3.3	308.75	96	62
L3.4	288.75	76	62
L2.1	348.75	136	62
L2.2	328.75	116	62
L2.3	308.75	96	62
L2.4	288.75	76	62
L1.1	348.75	136	62
L1.2	328.75	116	62
L1.3	308.75	96	62
L1.4	288.75	76	62
N.1	348.75	136	62
N.2	328.75	116	62
N.3	308.75	96	62
N.4	288.75	76	62

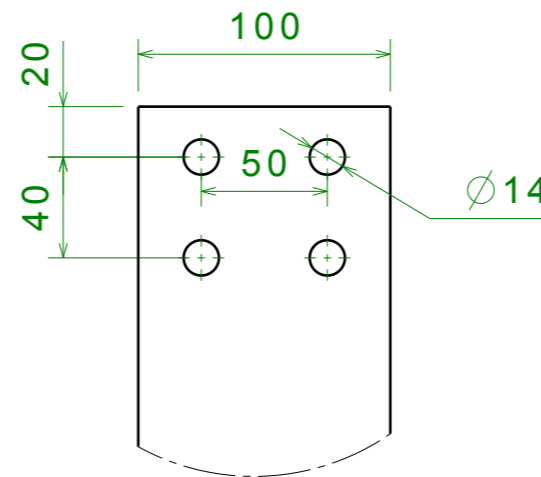
# CONNECTIONS FOR E4.2 WITHDRAWABLE 4000A

SPEP P=900mm  
 BUSBARS HOLDER PBHB3121 (100mm)  
 MAIN BUSBARS IP40 / IP41 / IP65 : 5000A (3x160x10)

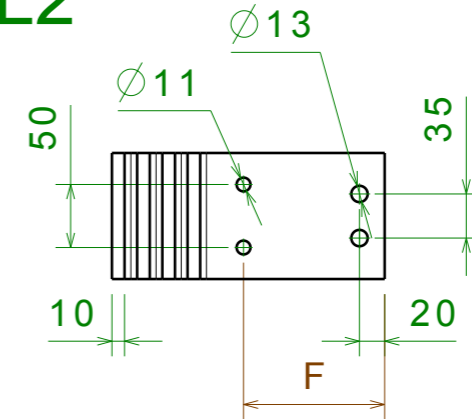


PHASE	POS	A	C	D	
L3	1	L3.1	216.4	115	160
	2	L3.2	196.4	135	160
	3	L3.3	176.4	155	160
	4	L3.4	154.4	175	160
L2	1	L2.1	216.4	-	-
	2	L2.2	196.4	-	-
	3	L2.3	176.4	-	-
	4	L2.4	154.4	-	-
L1	1	L1.1	216.4	175	160
	2	L1.2	196.4	155	160
	3	L1.3	176.4	135	160
	4	L1.4	154.4	115	160
N	1	N.1	216.4	175	285
	2	N.2	196.4	155	285
	3	N.3	176.4	135	285
	4	N.4	154.4	115	285

## N-L1

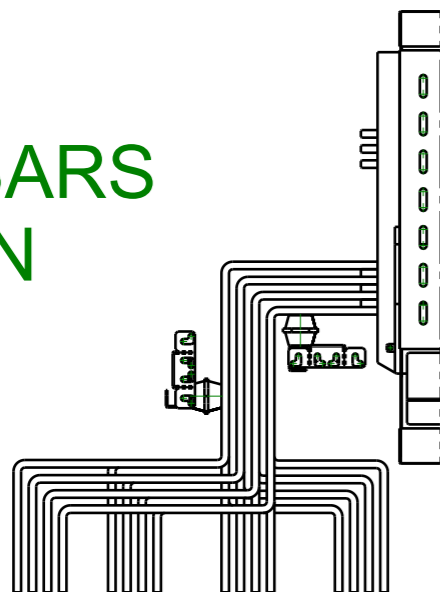


## L2



## L3

# MAIN BUSBARS DOWN



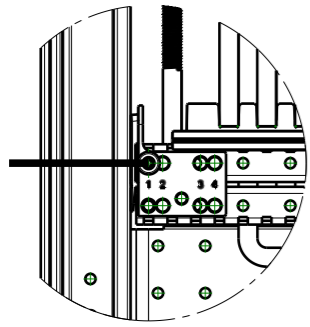
	B	E	F
L3.1	437.25	177.85	112
L3.2	417.25	157.85	112
L3.3	397.25	137.85	112
L3.4	377.25	117.85	112
L2.1	437.25	177.85	112
L2.2	417.25	157.85	112
L2.3	397.25	137.85	112
L2.4	317.25	117.85	112
L1.1	437.25	177.85	112
L1.2	417.25	157.85	112
L1.3	397.25	137.85	112
L1.4	377.25	117.85	112
N.1	437.25	177.85	112
N.2	417.25	157.85	112
N.3	397.25	137.85	112
N.4	377.25	117.85	112

Dettaglio A  
 Scala: 1:3

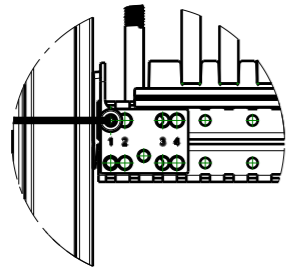
AGG. DI SEGNO	SCALA SCALE : 1:6	N° PROGETTO : XXX.XX
DESIGNER	DESIGNER :	PROJECT
APPROVAZIONE	APPROVAL	<b>ABB</b> <b>ABB SACE ADB</b>
DATE	DATE : xx-xx-xx	DENOMINAZIONE/NAME:
FORMATO	Formato A3 Formed	E4.2 4000A W CONNECTION BUSBAS 4x100x10xP
		DISEGNO N° /DRAWING N°
		8 6 3 9 2 4



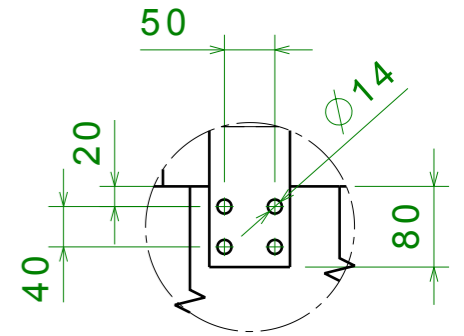
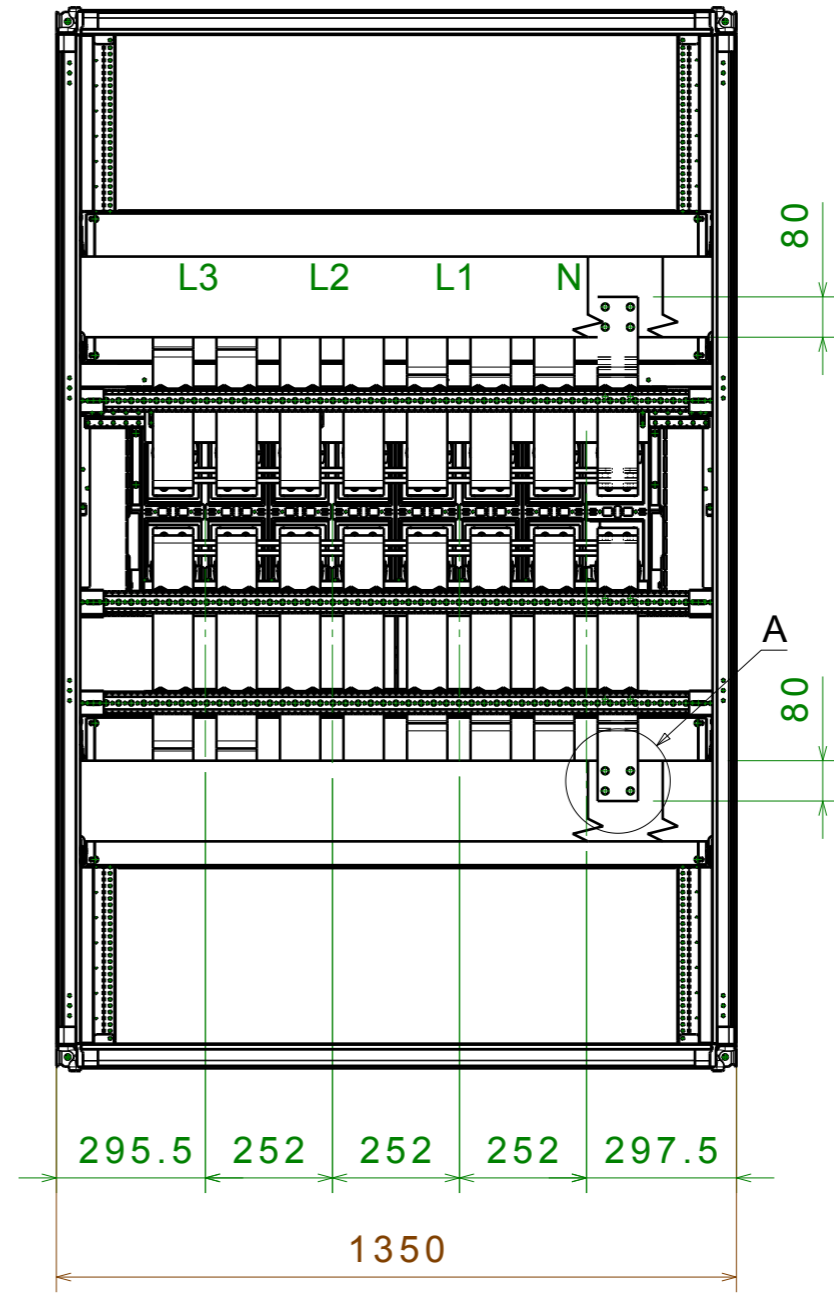
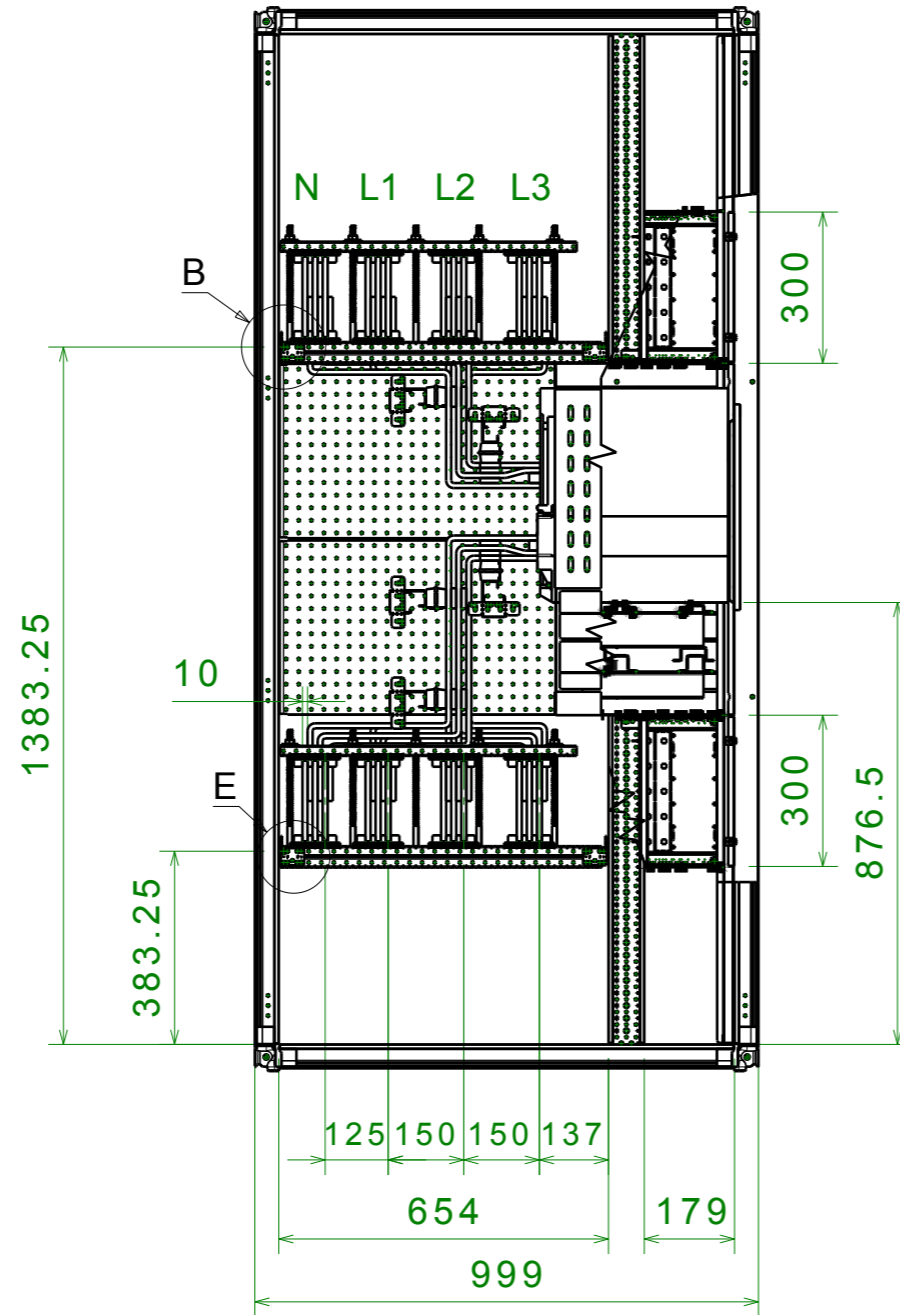
# ASSEMBLY DRAWING E6.2 5000A W ALIM BUSBARS 3x160x10xP / 3x200x10xP



Detail B



Detail E



Detail A



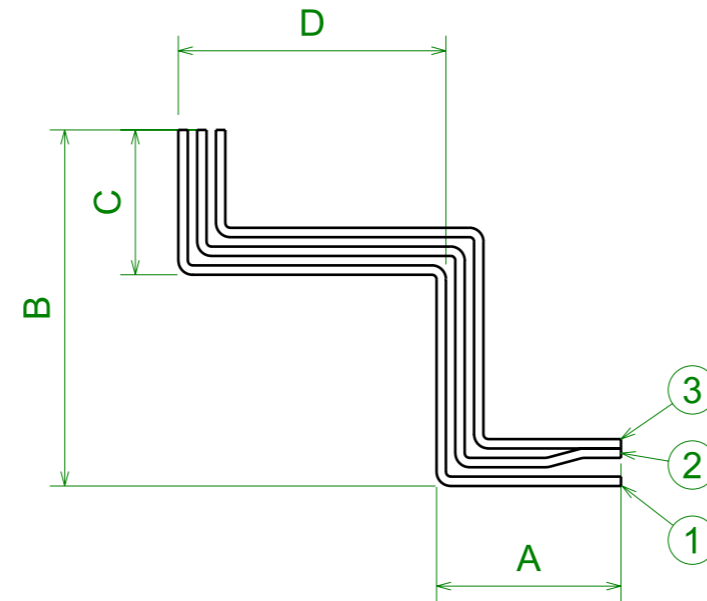
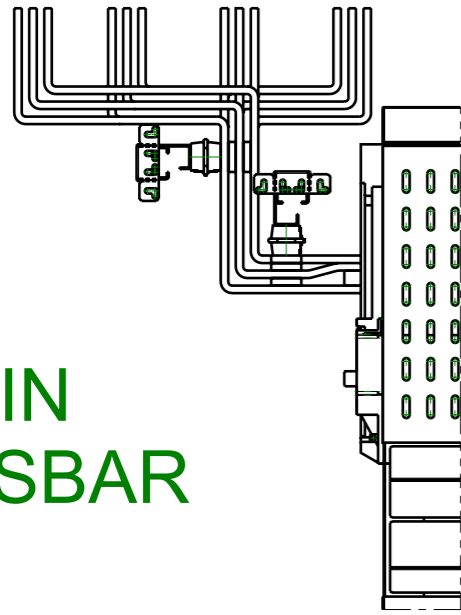
## CONNECTION BUSBARS 5x80x10xP

XX	AGG. DI SEGNO	SCALA SCALE :	N° PROGETTO : PROJECT	XXX.XX
		DISEGNATORE DESIGNER :	ABB SACE ADB	
	MODIFICA	APPROVAZIONE : APPROVAL	DISEGNO N° /DRAWING N°	
		DATA DATE : xx-xx-xx	E6.2 5000A W CONNECTION BUSBARS 5x80x10xP	
	DATA	Formato A3 Formed	863861	

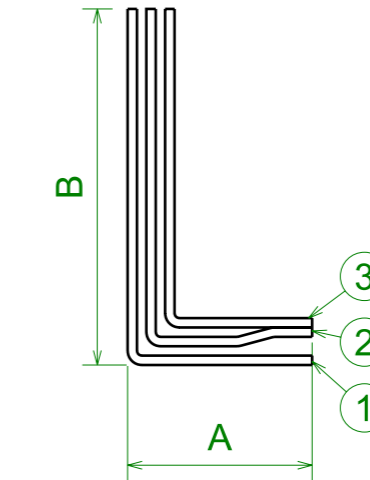
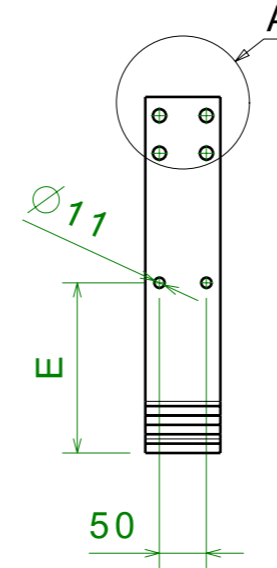
# CONNECTIONS FOR E6.2 4P FS WITHDRAWABLE 5000A

SPEP P = 900mm  
 BUSBARS HOLDER PBHB3121 (100mm)  
 MAIN BUSBAR IP30 / IP31 : 5000A (3x160x10) ; 6300A (3x200x10)

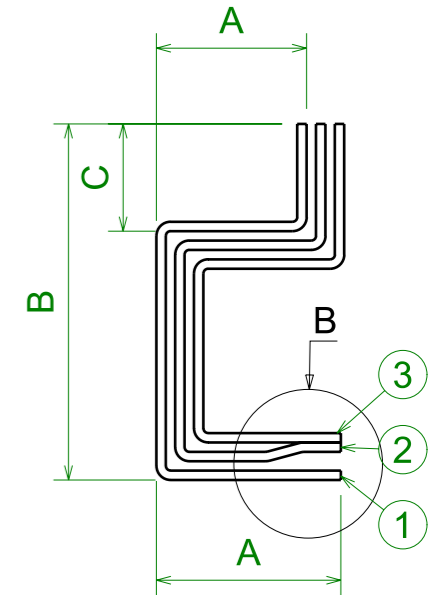
MAIN  
BUSBAR  
UP



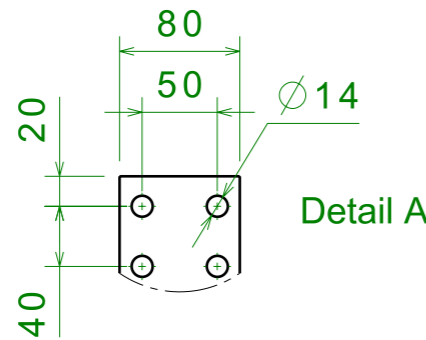
N-L1



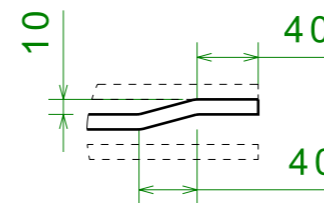
L2



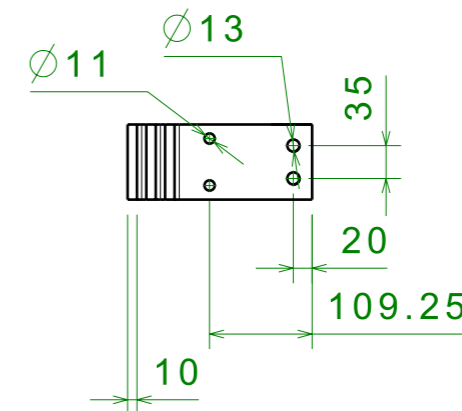
L3



Detail A



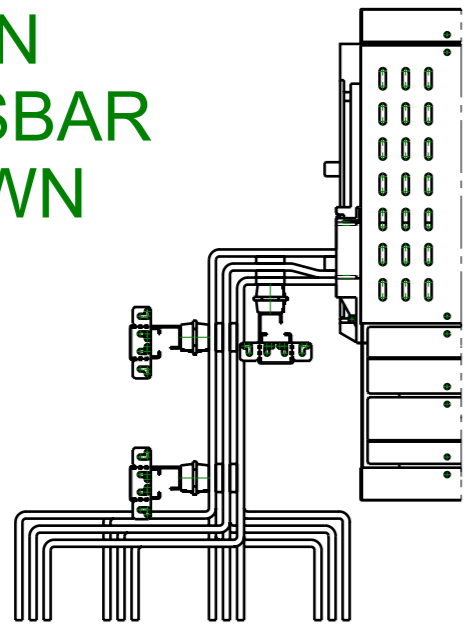
Detail B



PHASE	POS	QTY N100%	QTY N50%	A	B	C	D	E
L3	1 L3.1	2	2	196.5	379.25	114.25	160	181.25
	2 L3.2	2	2	176.5	359.25	134.25		161.25
	3 L3.3	1	1	156.5	339.25	154.25		141.25
L2	1 L2.1	2	2	196.5	379.25	-	-	181.25
	2 L2.2	2	2	176.5	359.25	-	-	161.25
	3 L2.3	1	1	156.5	339.25	-	-	141.25
L1	1 L1.1	2	2	196.5	379.25	154.25	160	181.25
	2 L1.2	2	2	176.5	359.25	134.25		161.25
	3 L1.3	1	1	156.5	339.25	114.25		141.25
N	1 N.1	2	1	196.5	379.25	154.25	285	181.25
	2 N.2	2	1	176.5	359.25	134.25		161.25
	3 N.3	1	1	156.5	339.25	114.25		141.25

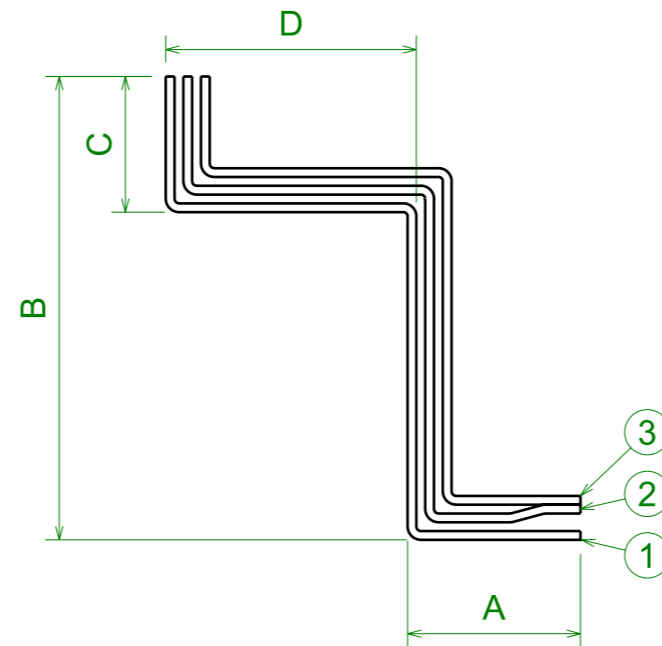
SCALA SCALE	:	
DISEGNATORE DESIGNER	:	
APPROVAZIONE APPROVAL	:	
DATA DATE	: XX-XX-XX	
FORMATO FORMED	:	Formato A3 Formed
N° PROGETTO PROJECT	:	XXX.XX
ABB SACE ADB		
DENOMINAZIONE/NAME:		E6.2 5000A W CONNECTION BUSBARS 5x80x10xP
DISEGNO N° /DRAWING N°		8 6 3 8 6 0

# MAIN BUSBAR DOWN

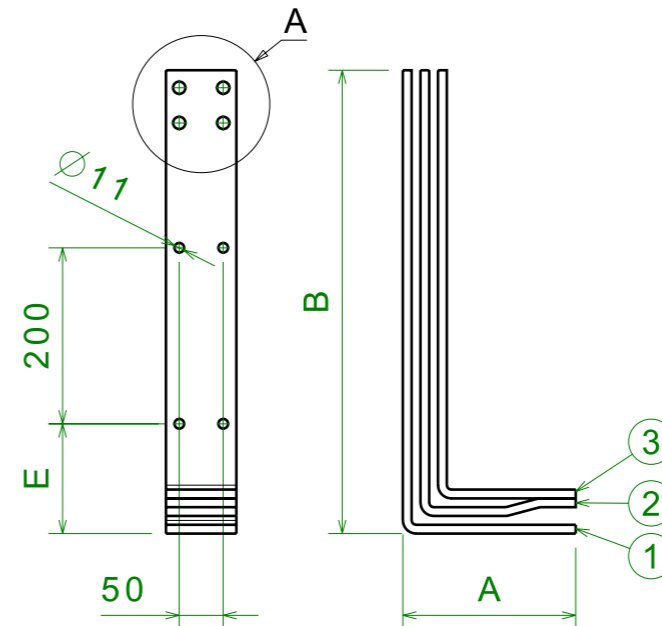


# CONNECTIONS FOR E6.2 4P FS WITHDRAWABLE 5000A

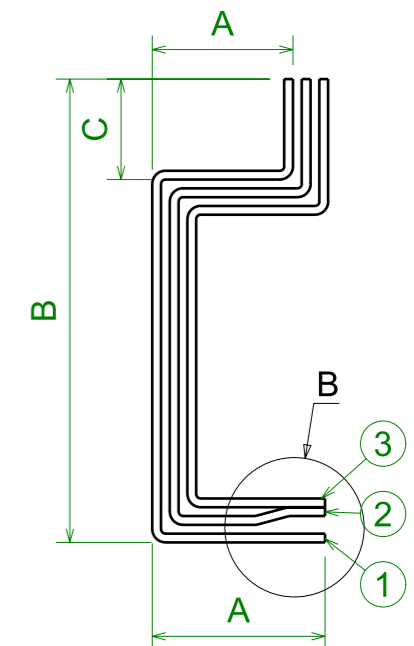
SPEP P = 900mm  
 BUSBARS HOLDER PBHB3121 (100mm)  
 MAIN BUSBAR IP30 / IP31 : 5000A (3x160x10) ; 6300A (3x200x10)



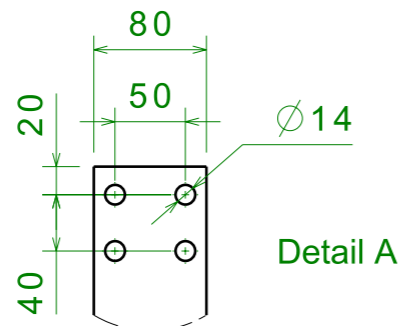
N-L1



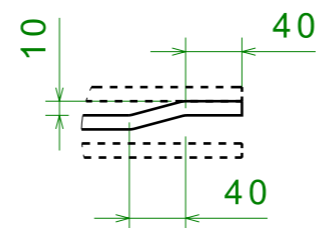
L2



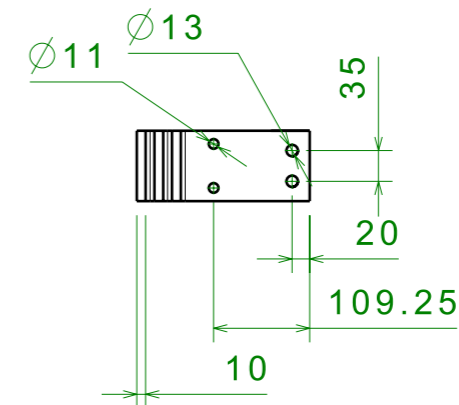
L3



Detail A



Detail B

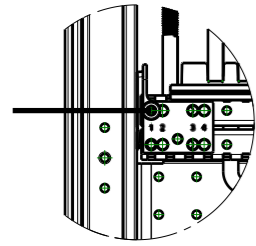


PHASE	POS	QTY N100%	QTY N50%	A	B		C	D	E
					H MAIN BUSBARS				
					160	200			
L3	1 L3.1	2	2	196.5	526.75	486.75	114.25	160	124.75
	2 L3.2	2	2	176.5	506.75	466.75	134.25		104.75
	3 L3.3	1	1	156.5	486.75	446.75	154.25		84.75
L2	1 L2.1	2	2	196.5	526.75	486.75	-	160	124.75
	2 L2.2	2	2	176.5	506.75	466.75	-		104.75
	3 L2.3	1	1	156.5	486.75	446.75	-		84.75
L1	1 L1.1	2	2	196.5	526.75	486.75	154.25	160	124.75
	2 L1.2	2	2	176.5	506.75	466.75	134.25		104.75
	3 L1.3	1	1	156.5	486.75	446.75	114.25		84.75
N	1 N.1	2	1	196.5	526.75	486.75	154.25	285	124.75
	2 N.2	2	1	176.5	506.75	466.75	134.25		104.75
	3 N.3	1	1	156.5	486.75	446.75	114.25		84.75

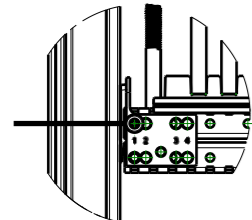
SCALA SCALE :	N° PROGETTO : XXX.XX
DISSEGNAZIONE DESIGNER :	PROJECT
APPROVAZIONE : APPROVAL	<b>ABB</b> <b>ABB SACE ADB</b>
DATA DATE : xx-xx-xx	DENOMINAZIONE/NAME :
Formato A3 Formed	E6.2 5000A W CONNECTION BUSBARS 5x80x10xP
DISEGNO N° /DRAWING N°	
8 6 3 8 6 7	

Questo disegno e' di esclusiva proprieta' di ABB SACE ADB. Ne e' vietata la riproduzione a termini di legge

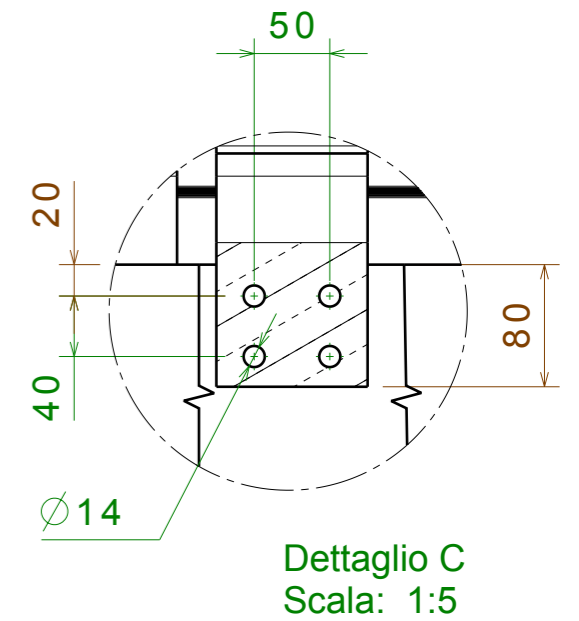
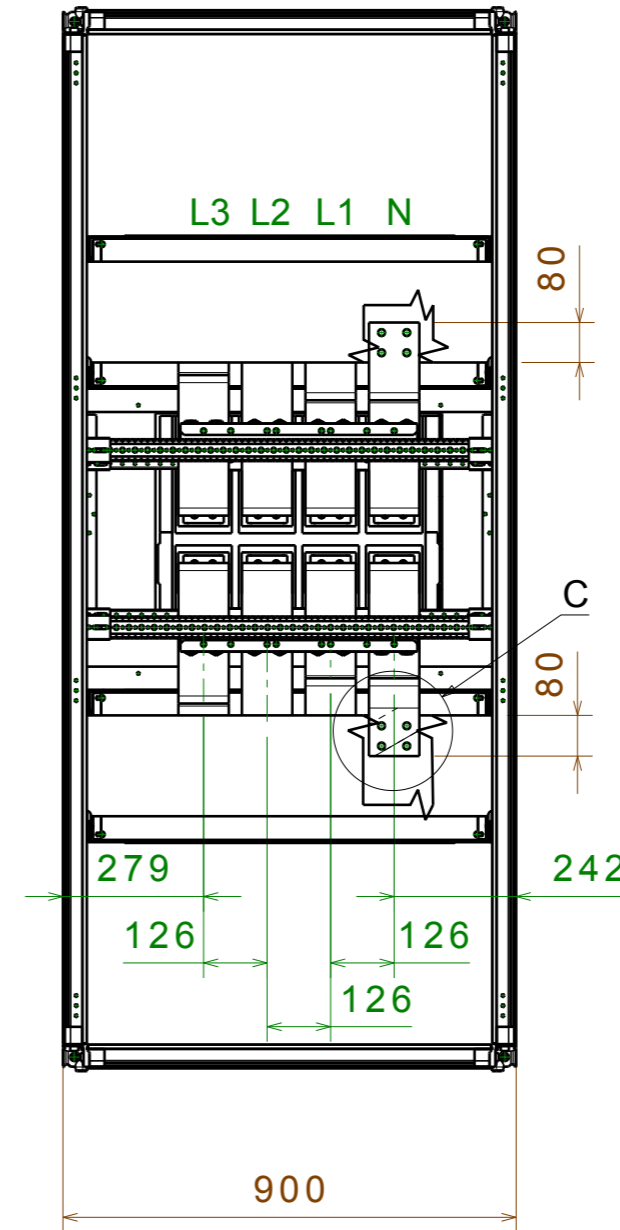
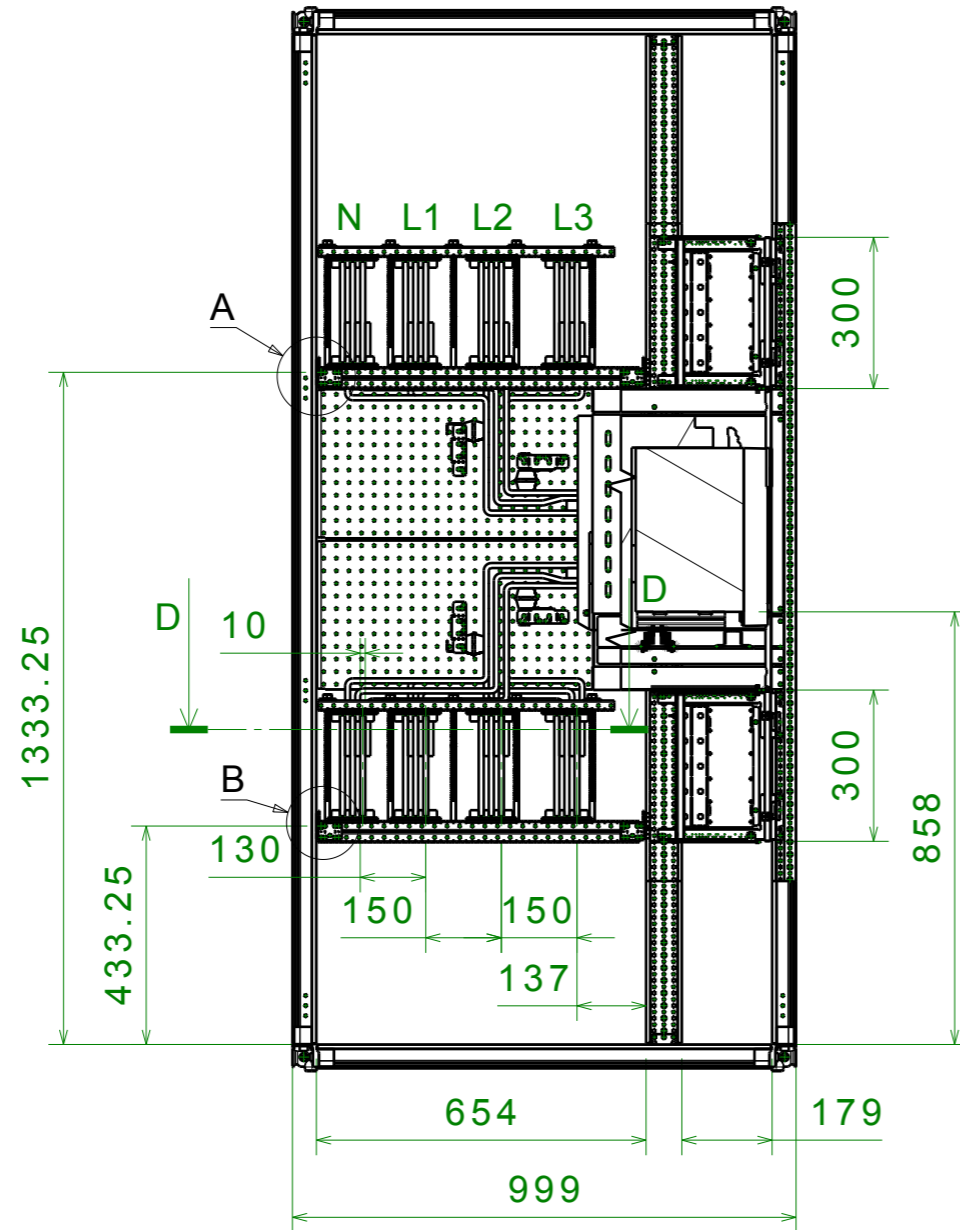
**ASSEMBLY DRAWING**  
**E4.2 3200A W**  
**ALIM BUSBAR 3x200x10xP**



**Dettaglio A**  
Scala: 1:5

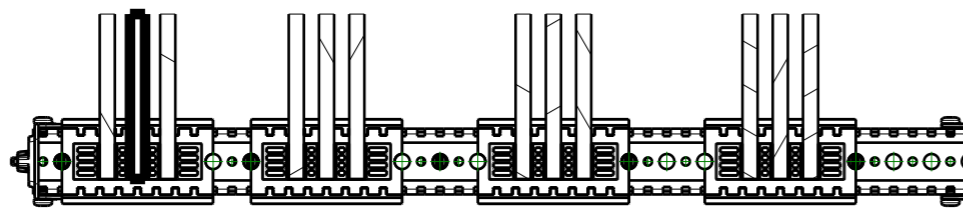


**Dettaglio B**  
Scala: 1:5



**Dettaglio C**  
Scala: 1:5

**Vista in sezione D-D**  
Scala: 1:5



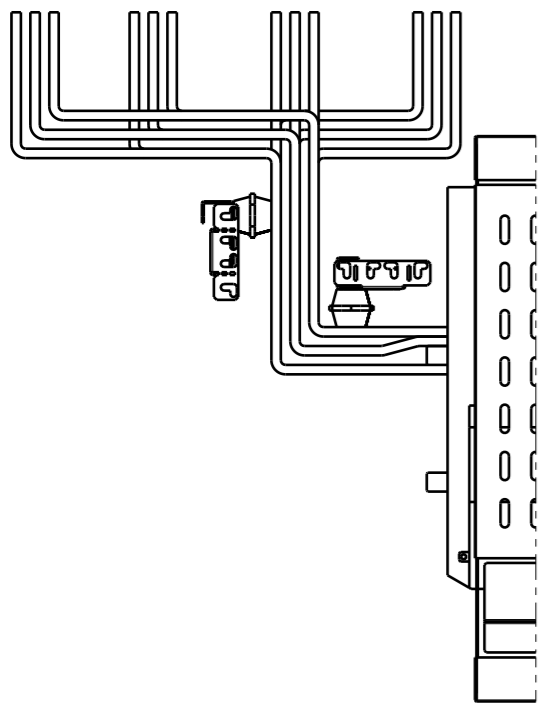
**CONNECTION BUSBARS 3x100x10xP**

AGG. DI SEGNO	SCALA SCALE : 1:14	N° PROGETTO / PROJECT : <b>XXX.XX</b>
DISEGNATORE / DESIGNER		
APPROVAZIONE / APPROVAL		<b>ABB</b> <b>ABB SACE ADB</b>
DATA DATE : xx-xx-xx		
MODIFICA		DENOMINAZIONE/NAME:
DATA	Formato A3 Formed	E4.2 3200A W CONNECTION BUSBARS 3x100x10xP
		DISEGNO N° / DRAWING N°
		<b>8 6 3 9 2 3</b>

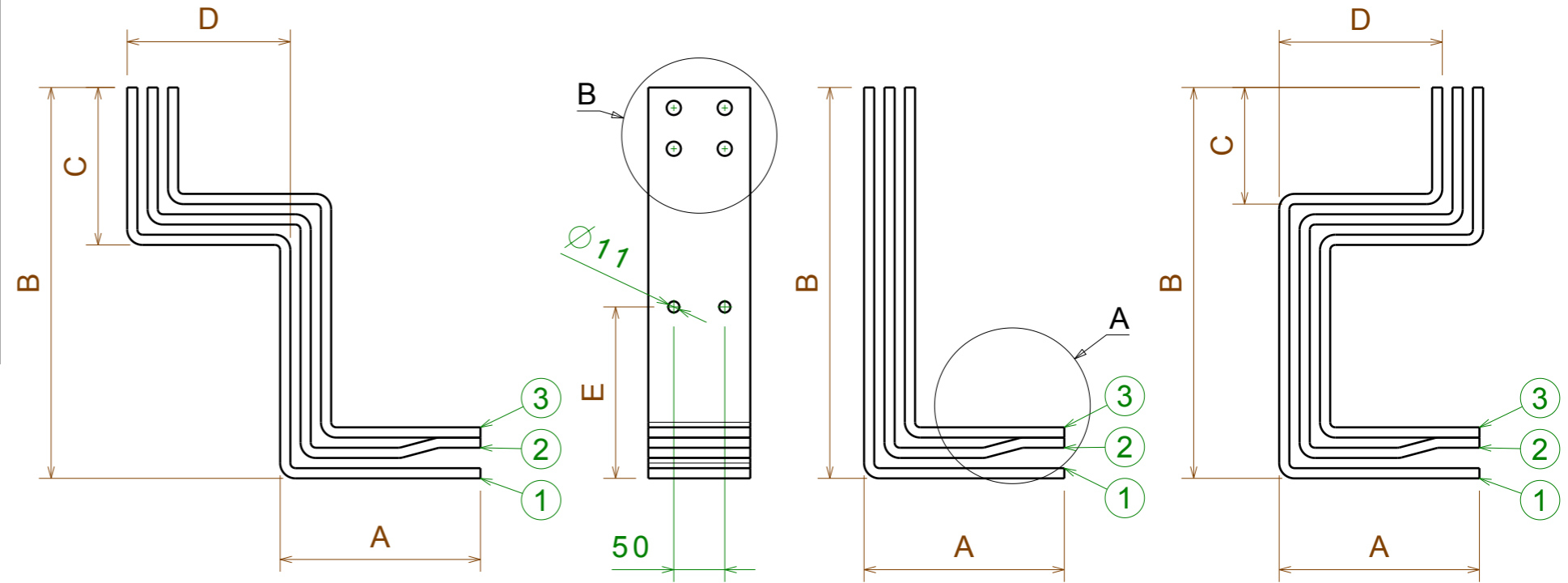
Questo disegno e' di esclusiva proprieta' di ABB SACE ADB. Ne e' vietata la riproduzione e termini di legge.

# CONNECTIONS FOR E4.2 WITHDRAWABLE 3200A

SPEP P = 900mm  
 BUSBARS HOLDER PBHB3121 (100mm)  
 MAIN BUSBAR IP40 / IP41 / IP65 : 6300A (3x200x10)



MAIN  
 BUSBARS  
 UP

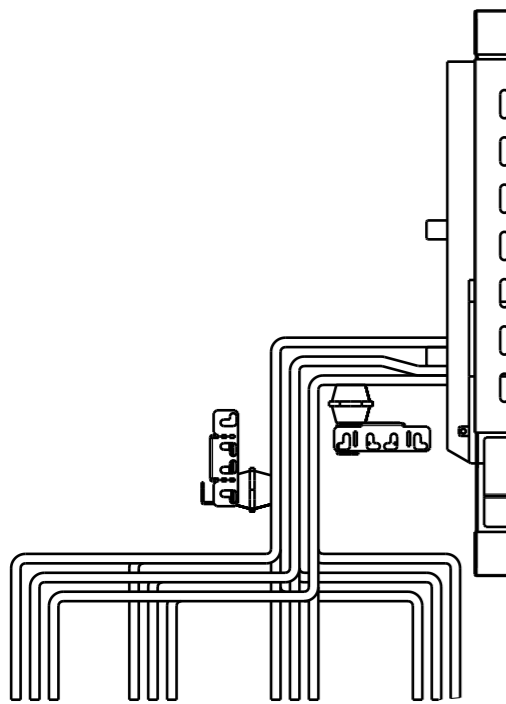
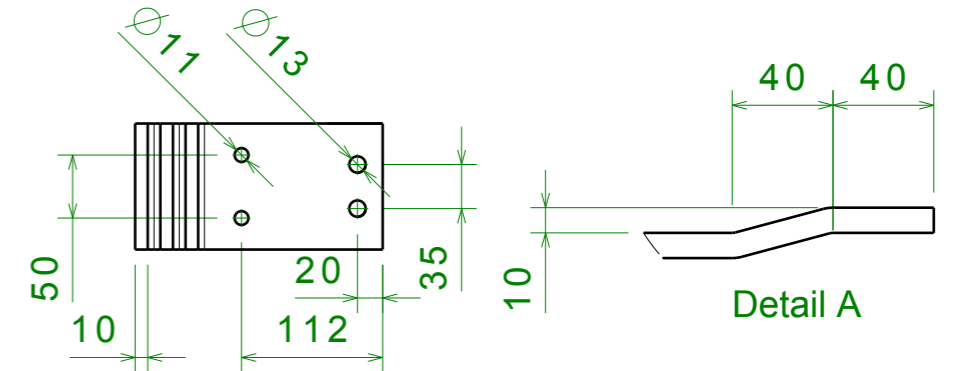
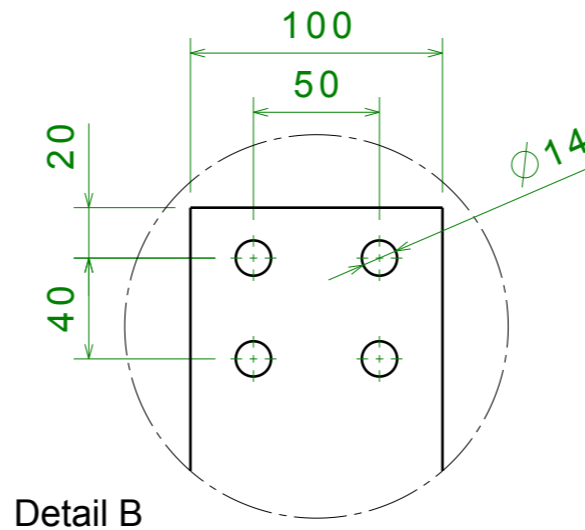


N-L1

L2

L3

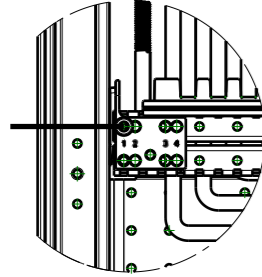
PHASE	POS	A	B	C	D	E
L3	1 L3.1	196.4	383	114.25	160	168
	2 L3.2	176.4	363	134.25	160	148
	3 L3.3	156.4	343	154.25	160	128
L2	1 L2.1	196.4	383	-	-	168
	2 L2.2	176.4	363	-	-	148
	3 L2.3	156.4	343	-	-	128
L1	1 L1.1	196.4	383	154.25	160	168
	2 L1.2	176.4	363	134.25	160	148
	3 L1.3	156.4	343	114.25	160	128
N	1 N.1	196.4	383	154.25	285	168
	2 N.2	176.4	363	134.25	285	148
	3 N.3	156.4	343	114.25	285	128



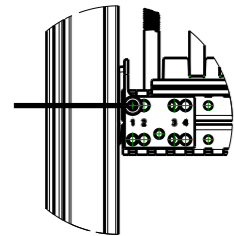
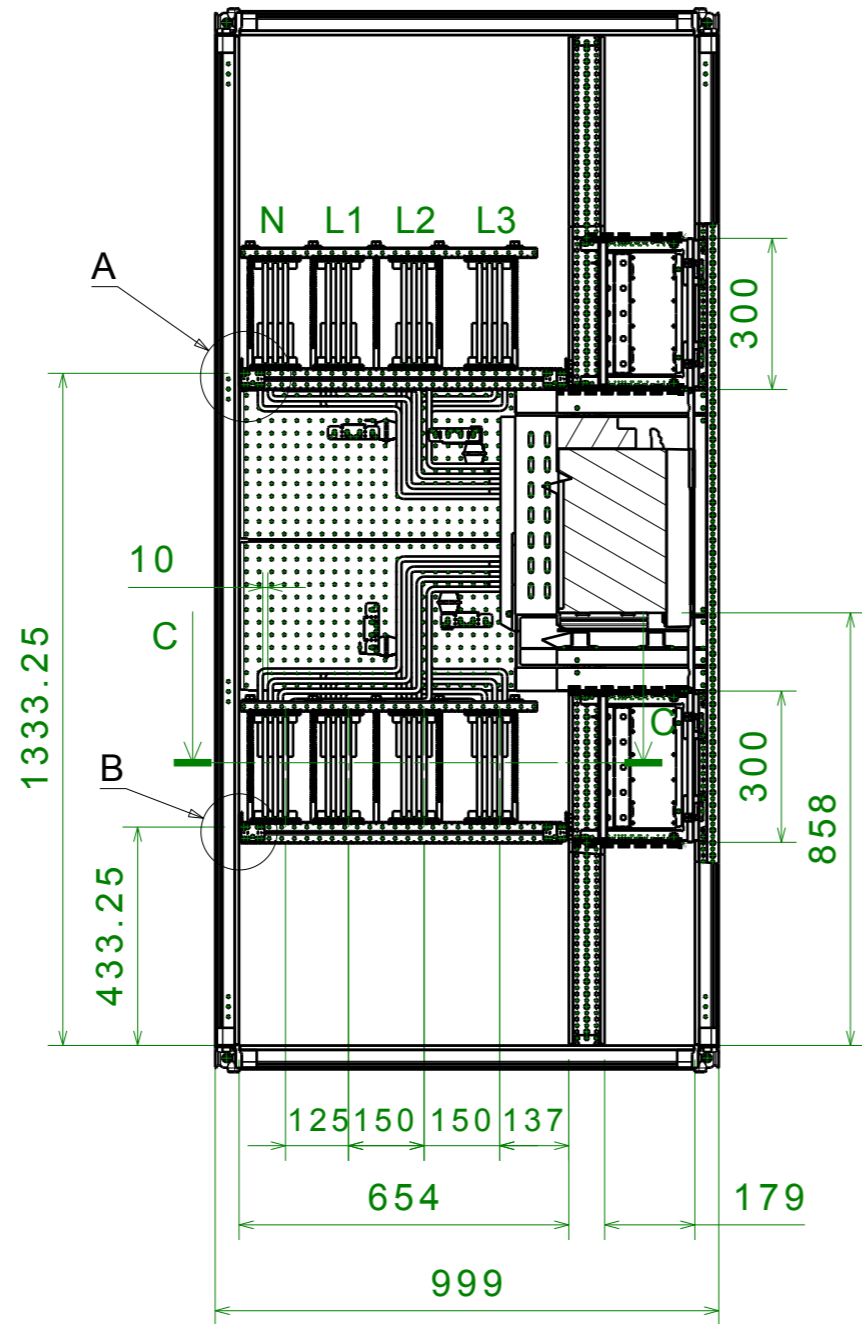
MAIN  
 BUSBARS  
 DOWN

AGG. DI SEGNO	SCALA SCALE	: 1:6	N° PROGETTO : PROJECT	XXX.XX
DISEGNATORE DESIGNER	APPROVAZIONE : APPROVAL		<b>ABB</b>	<b>ABB SACE ADB</b>
MODIFICA	DATA DATE	: xx-xx-xx	DENOMINAZIONE/NAME:	E4.2 3200A W CONNECTION BUSBARS 3x100x10xP
DATA	Formato A3 Formed		DISEGNO N° /DRAWING N°	8 6 3 8 6 6

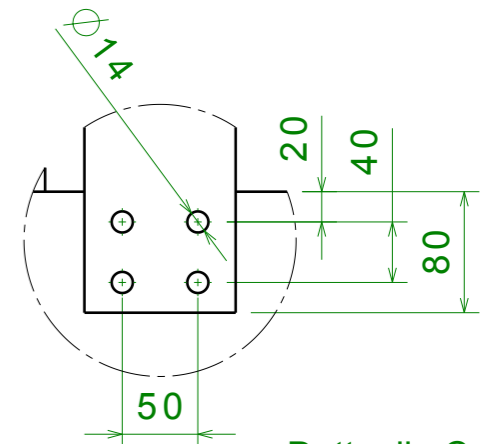
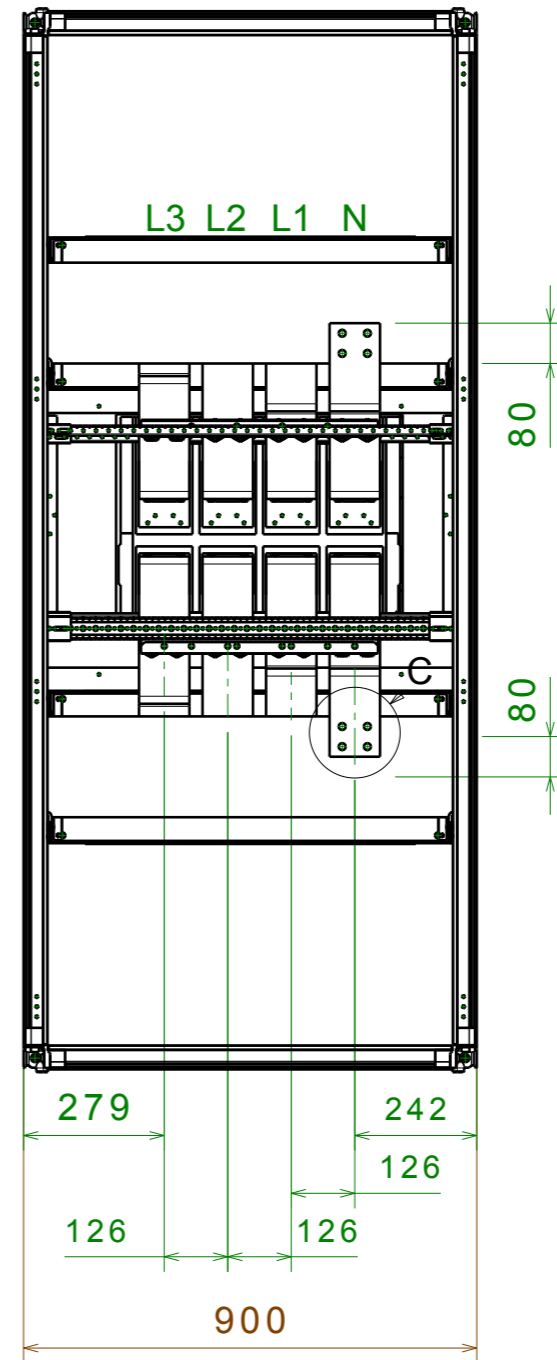
# ASSEMBLY DRAWING E4.2 4000A W ALIM BUSBAR 3x200x10xP



Dettaglio A  
Scala: 1:5

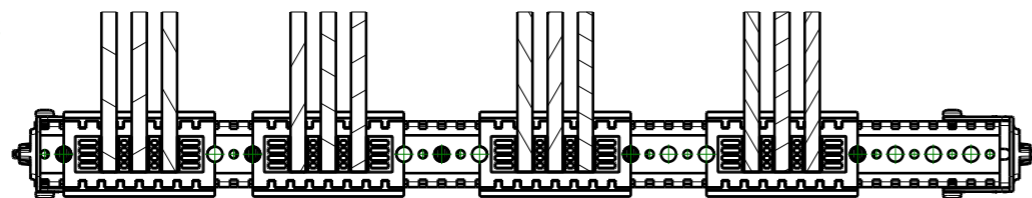


Dettaglio B  
Scala: 1:5



Dettaglio C  
Scala: 1:5

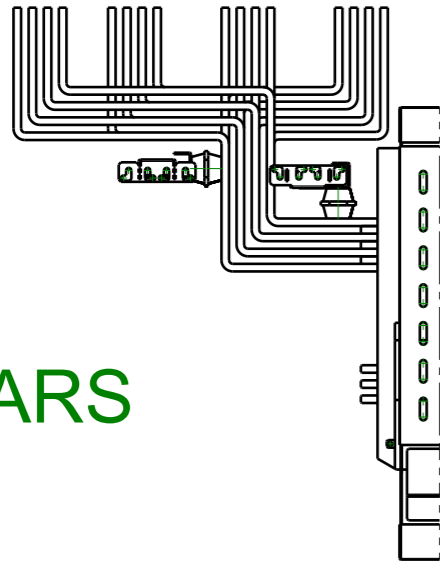
Vista in sezione C-C  
Scala: 1:5



## CONNECTION BUSBARS 4x100x10xP

AGG. DI SEGNO	SCALA SCALE : 1:15	N° PROGETTO : PROJECT : XXX.XX
MODIFICA	DISEGNATORE DESIGNER :	<b>ABB</b> <b>ABB SACE ADB</b>
DATA	APPROVAZIONE : APPROVAL	DENOMINAZIONE/NAME: E4.2 4000A W CONNECTION BUSBARS 4x100x10xP
	DATA DATE : xx-xx-xx	DISEGNO N° /DRAWING N° 8 6 3 9 2 1
	Formato A3 Formed	

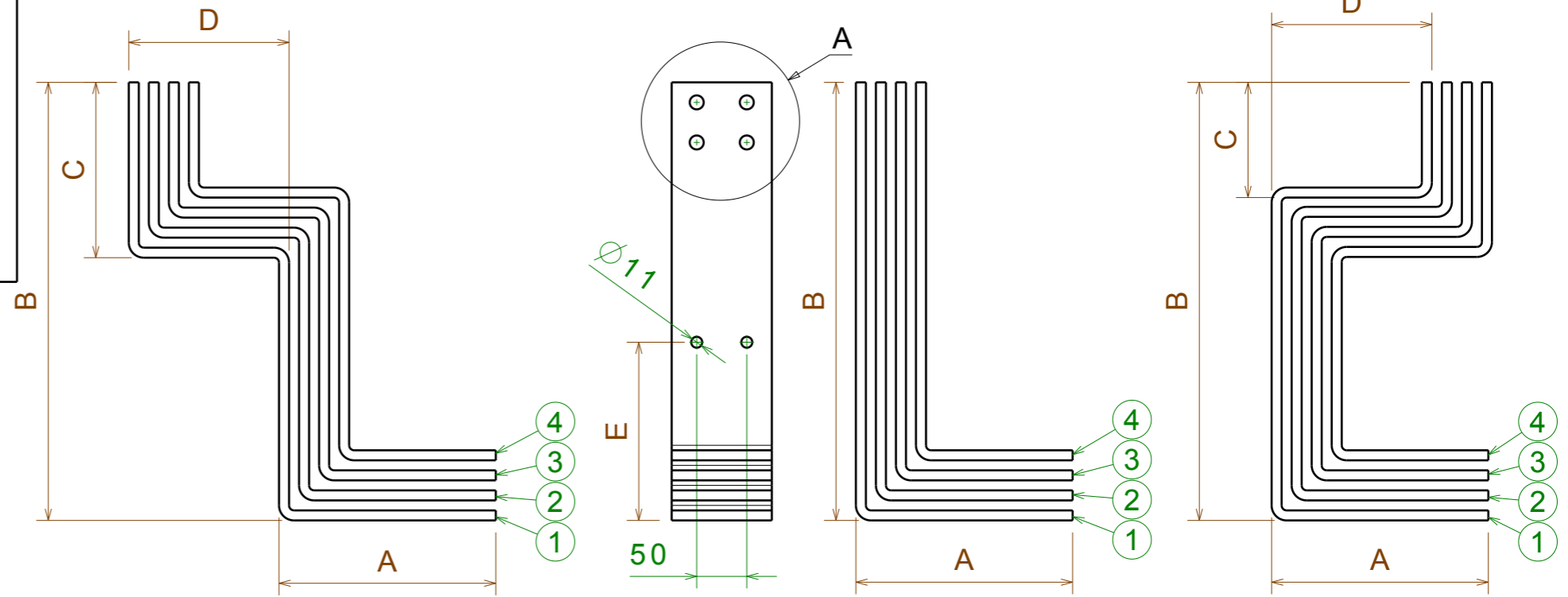
# MAIN BUSBARS UP



	B	E	F
L3.1	348.75	136	62
L3.2	328.75	116	62
L3.3	308.75	96	62
L3.4	288.75	76	62
L2.1	348.75	136	62
L2.2	328.75	116	62
L2.3	308.75	96	62
L2.4	288.75	76	62
L1.1	348.75	136	62
L1.2	328.75	116	62
L1.3	308.75	96	62
L1.4	288.75	76	62
N.1	348.75	136	62
N.2	328.75	116	62
N.3	308.75	96	62
N.4	288.75	76	62

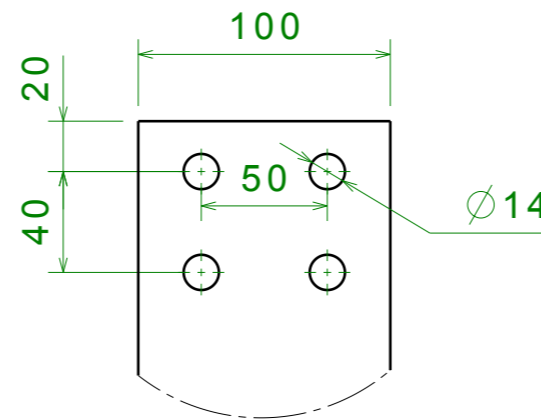
# CONNECTIONS FOR E4.2 WITHDRAWABLE 4000A

SPEP P=900mm  
 BUSBARS HOLDER PBHB3121 (100mm)  
 MAIN BUSBARS IP40 / IP41 / IP65 : 6300A (3x200x10)



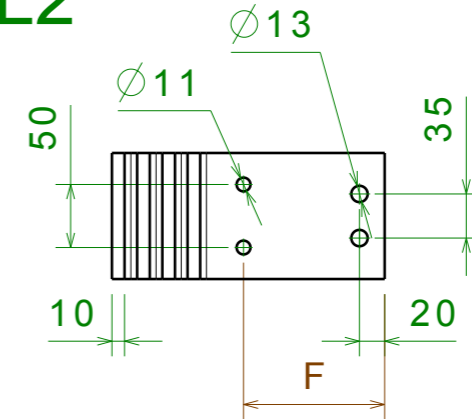
PHASE	POS	A	C	D	
L3	1	L3.1	216.4	115	160
	2	L3.2	196.4	135	160
	3	L3.3	176.4	155	160
	4	L3.4	154.4	175	160
L2	1	L2.1	216.4	-	-
	2	L2.2	196.4	-	-
	3	L2.3	176.4	-	-
	4	L2.4	154.4	-	-
L1	1	L1.1	216.4	175	160
	2	L1.2	196.4	155	160
	3	L1.3	176.4	135	160
	4	L1.4	154.4	115	160
N	1	N.1	216.4	175	285
	2	N.2	196.4	155	285
	3	N.3	176.4	135	285
	4	N.4	154.4	115	285

## N-L1



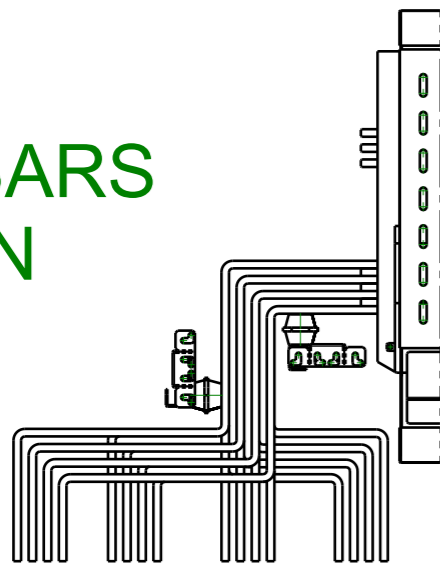
Dettaglio A  
 Scala: 1:3

## L2



## L3

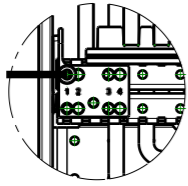
# MAIN BUSBARS DOWN



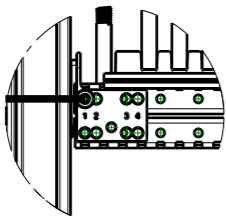
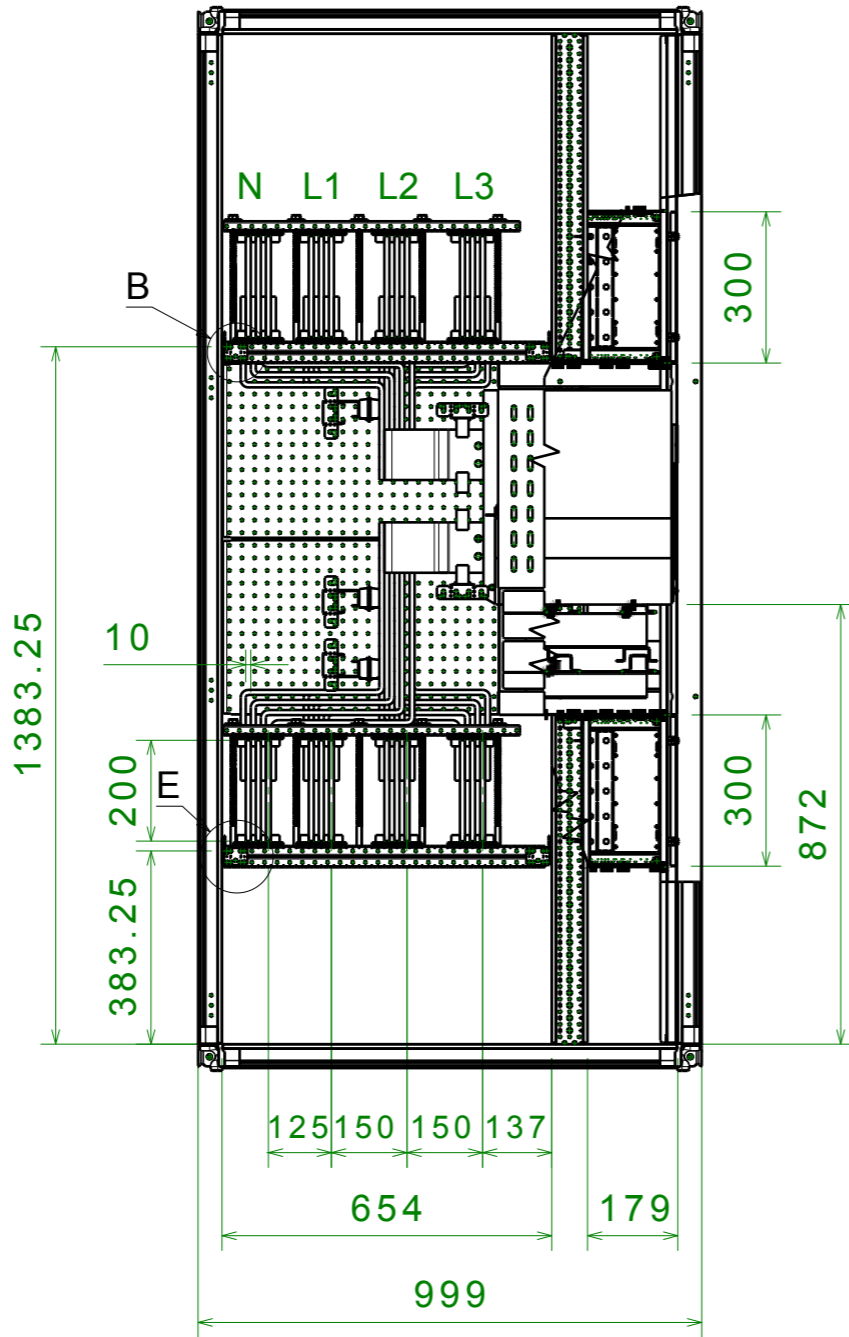
	B	E	F
L3.1	397.25	177.85	112
L3.2	377.25	157.85	112
L3.3	357.25	137.85	112
L3.4	337.25	117.85	112
L2.1	397.25	177.85	112
L2.2	377.25	157.85	112
L2.3	357.25	137.85	112
L2.4	337.25	117.85	112
L1.1	397.25	177.85	112
L1.2	377.25	157.85	112
L1.3	357.25	137.85	112
L1.4	337.25	117.85	112
N.1	397.25	177.85	112
N.2	377.25	157.85	112
N.3	357.25	137.85	112
N.4	337.25	117.85	112

AGG. DI SEGNO	SCALA SCALE : 1:6	N° PROGETTO : XXX.XX
DESIGNER	APPROVAZIONE : APPROVAL	PROJECT
MODIFICA	DATA DATE : xx-xx-xx	<b>ABB</b> <b>ABB SACE ADB</b>
DATA	Formato A3 Formed	DENOMINAZIONE/NAME: E4.2 4000A W CONNECTION BUSBAS 4x100x10xP
		DISEGNO N° /DRAWING N°
		8 6 3 9 1 9

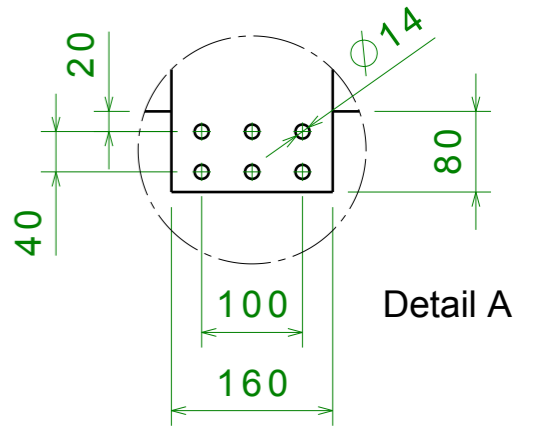
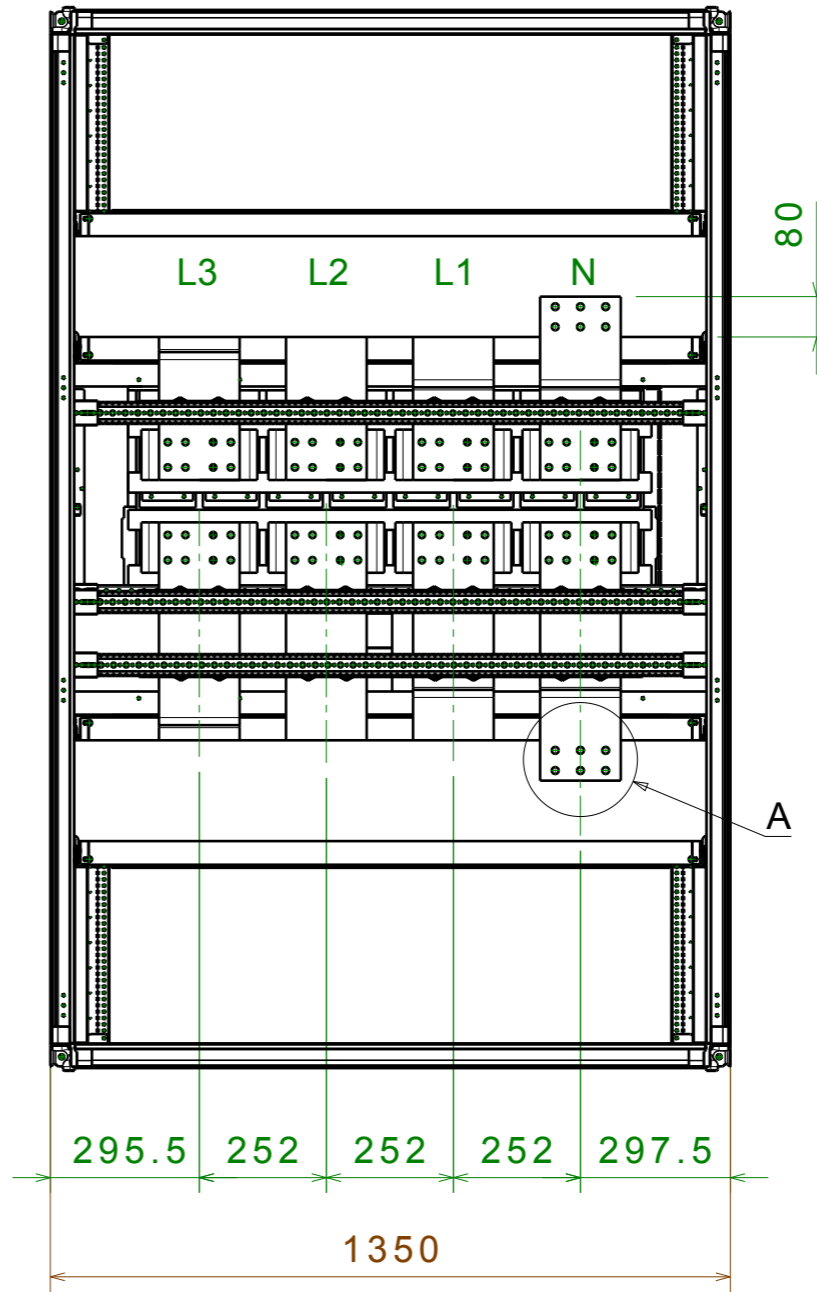
# ASSEMBLY DRAWING E6.2 6300A W ALIM BUSBARS 3x200x10xP



Detail B



Detail E



Detail A

## CONNECTION BUSBARS 4x160x10xP

				AGG. DI SEGNO	SCALA SCALE :	N° PROGETTO : PROJECT	XXX.XX
					DISEGNATORE DESIGNER :		
				MODIFICA	APPROVAZIONE : APPROVAL	<b>ABB</b> <b>ABB SACE ADB</b>	
				DATA	DATA DATE : xx-xx-xx	DENOMINAZIONE/NAME: E6.2 6300A W CONNECTION BUSBARS 4x160x10xP	
				Formato A3 Formed		DISEGNO N° /DRAWING N° <b>8 6 3 8 6 4</b>	

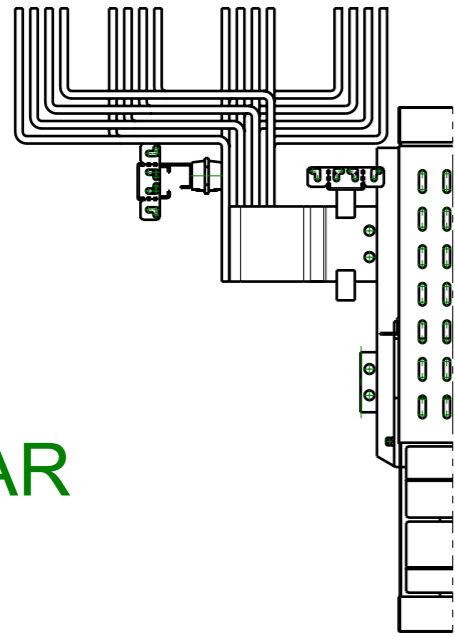
Questo disegno e' di esclusiva proprieta' di ABB SACE ADB. Ne e' vietata la riproduzione e termini di legge



# CONNECTIONS FOR E6.2 4p FS WITHDRAWABLE 6300A

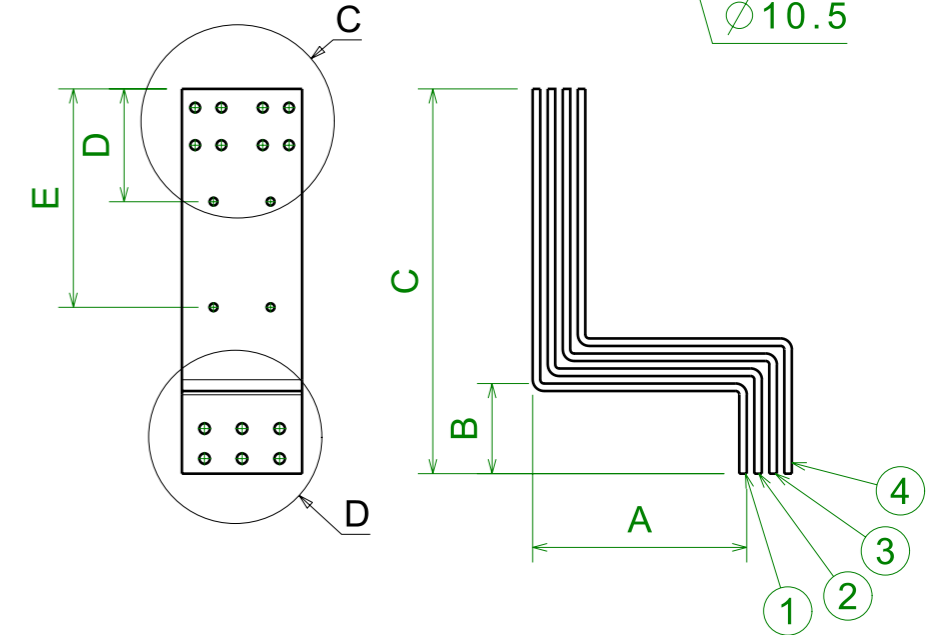
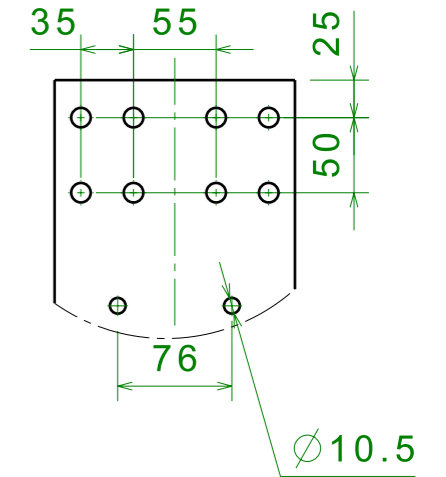
SPEP P = 900mm  
 BUSBARS HOLDER PBHB3121 (100mm)  
 MAIN BUSBAR IP30 / IP31 : 6300A (3x200x10)

MAIN  
BUSBAR  
UP

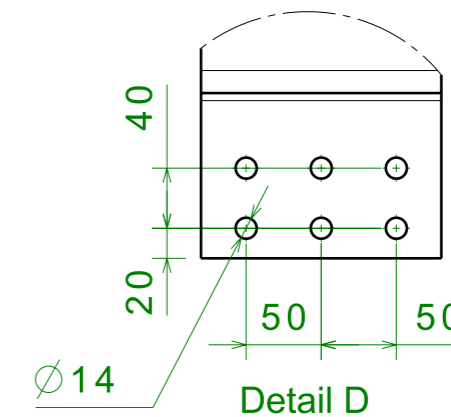


PHASE	POS		Q.tà N100%	A	B	C <sub>(UP)</sub>	D	E
L3	1	L3.1	4	160	120	363.75	140.75	-
	2	L3.2			140			
	3	L3.3			160			
	4	L3.4			180			
L2	1	L2.1	4	-	-	363.75	140.75	-
	2	L2.2			-			
	3	L2.3			-			
	4	L2.4			-			
L1	1	L1.1	4	160	120	363.75	140.75	-
	2	L1.2			140			
	3	L1.3			160			
	4	L1.4			180			
N	1	N.1	4	285	120	363.75	140.75	-
	2	N.2			140			
	3	N.3			160			
	4	N.4			180			

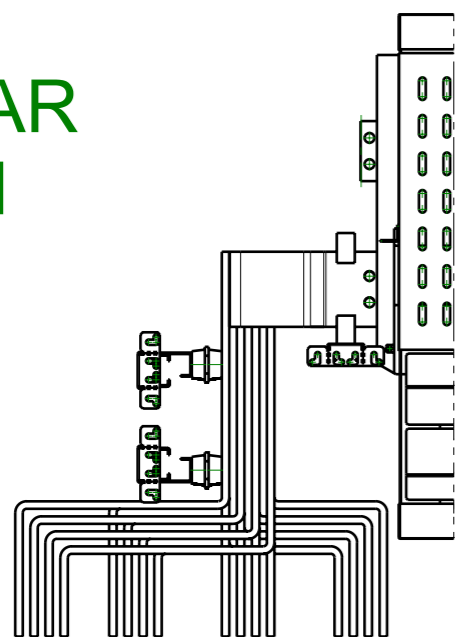
Detail C



PHASE	POS		Q.tà N100%	A	B	C <sub>(DOWN)</sub>	D	E
L3	1	L3.1	4	160	120	512.25	150.25	290.75
	2	L3.2			140			
	3	L3.3			160			
	4	L3.4			180			
L2	1	L2.1	4	-	-	512.25	150.25	290.75
	2	L2.2			-			
	3	L2.3			-			
	4	L2.4			-			
L1	1	L1.1	4	160	120	512.25	150.25	290.75
	2	L1.2			140			
	3	L1.3			160			
	4	L1.4			180			
N	1	N.1	4	285	120	512.25	150.25	290.75
	2	N.2			140			
	3	N.3			160			
	4	N.4			180			

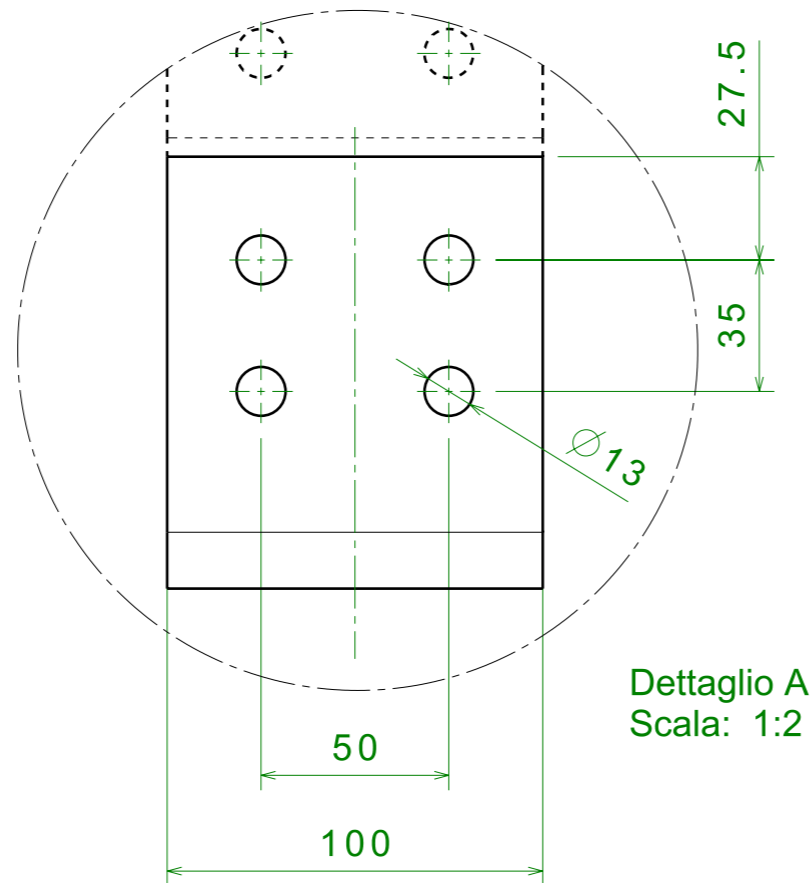
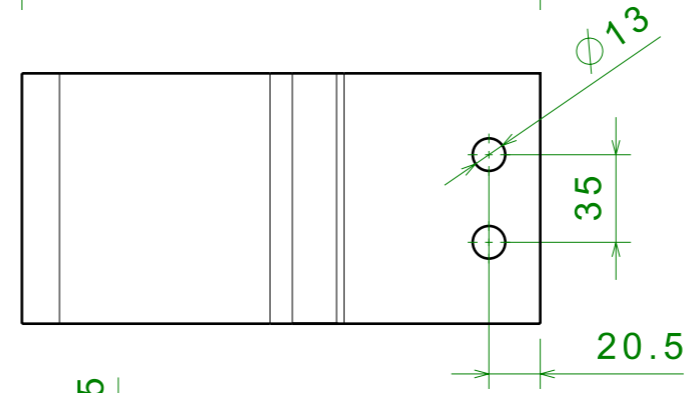
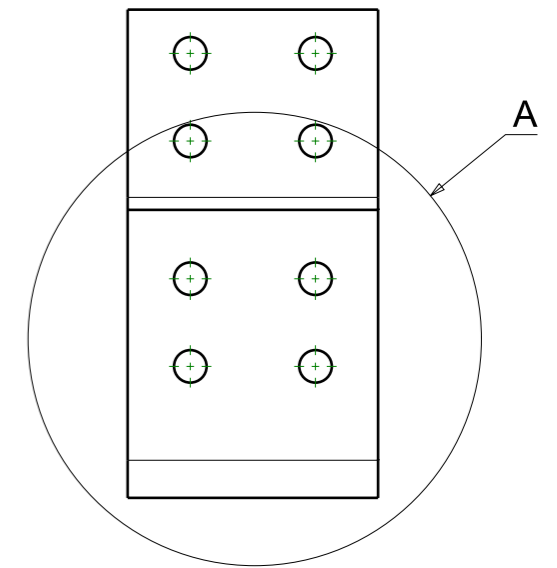
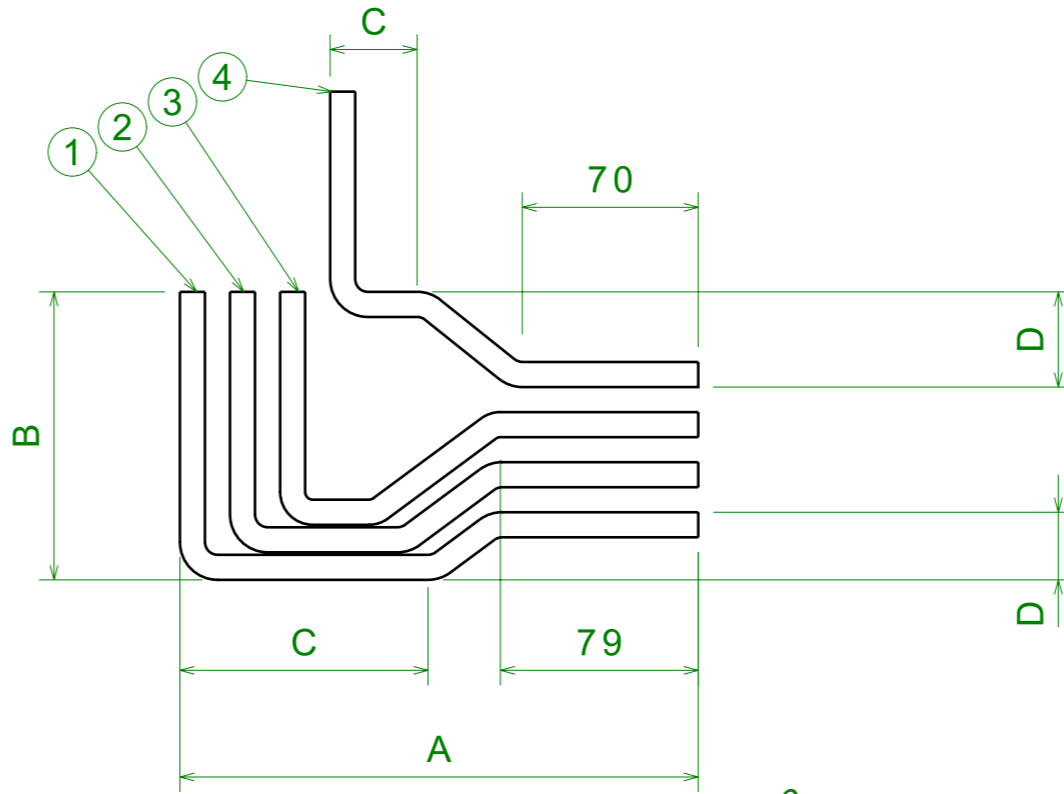
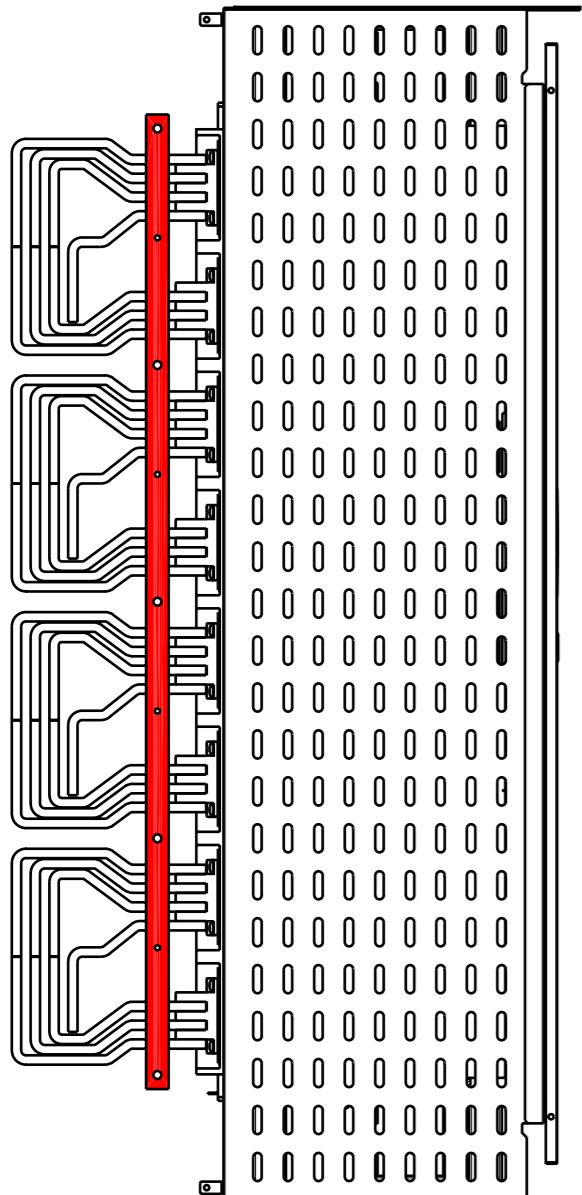
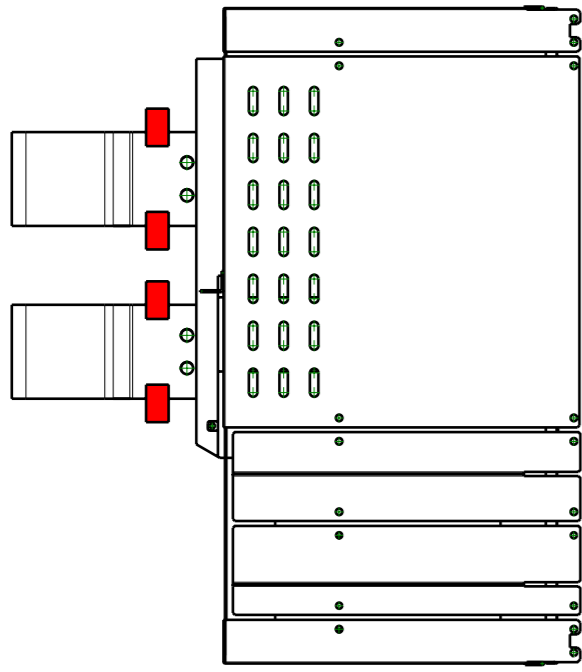


MAIN  
BUSBAR  
DOWN



SCALA SCALE	:		N° PROGETTO : PROJECT	XXX.XX
DI SEGNA TORE DESIGNER	:		<b>ABB SACE ADB</b>	
APPROVAZIONE APPROVAL	:		DENOMINAZIONE/NAME:	
DATA DATE	: XX-XX-XX		E6.2 6300A W CONNECTION BUSBARS 4x160x10xP	
FORMATO FORMED	:	Formato A3 Formed	DISEGNO N° /DRAWING N° <b>8 6 3 8 6 2</b>	

# CONNECTIONS FOR E6.2 WITHDRAWABLE 6300A

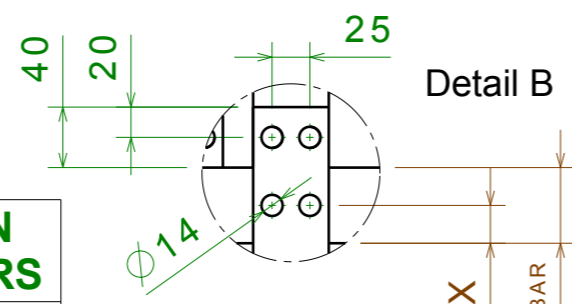
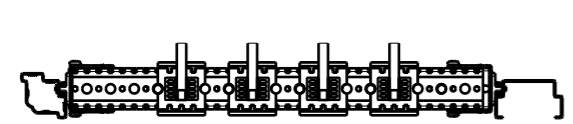
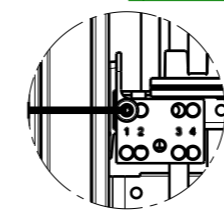
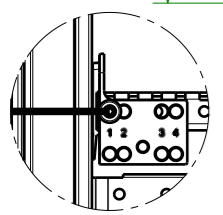
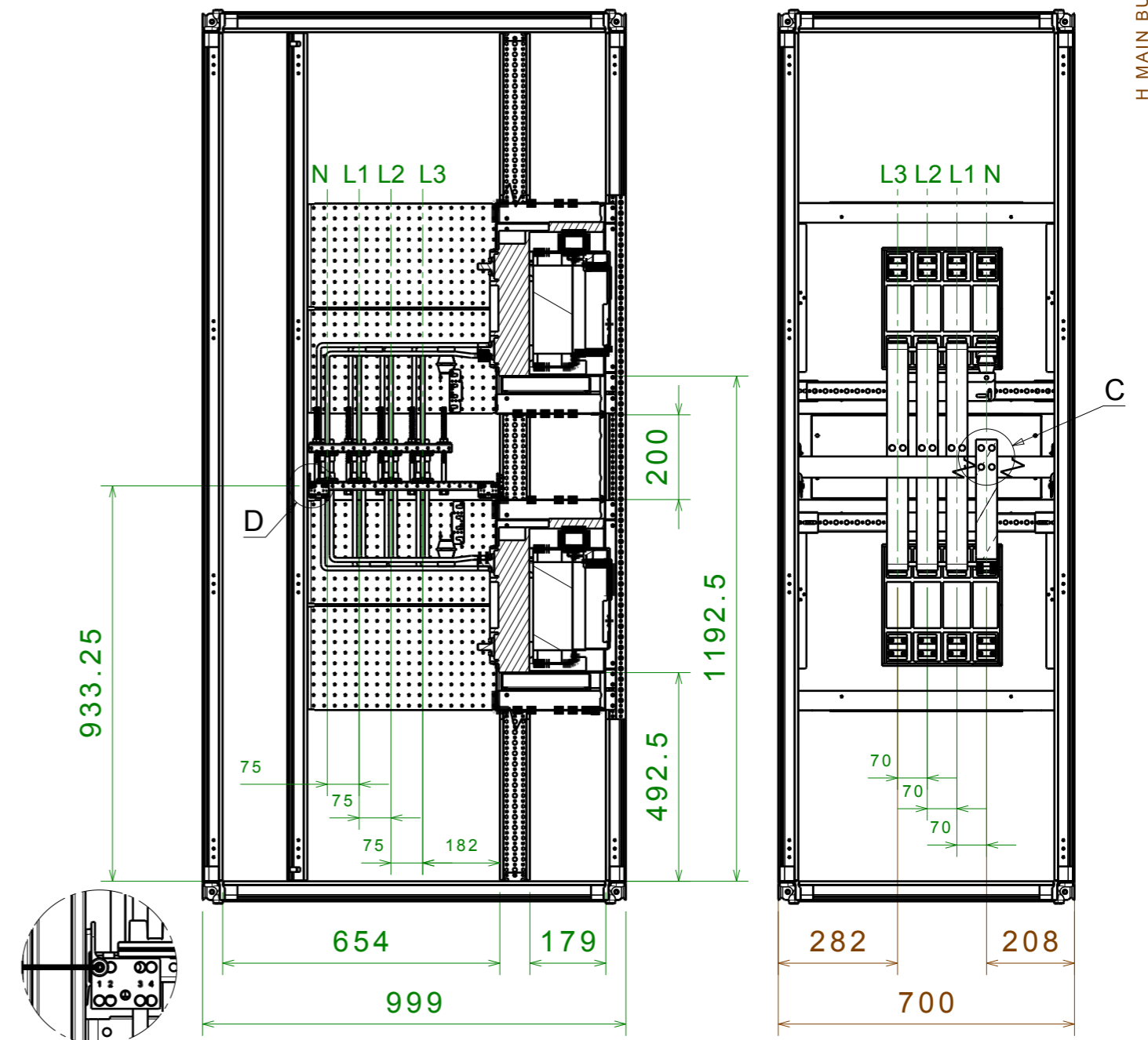
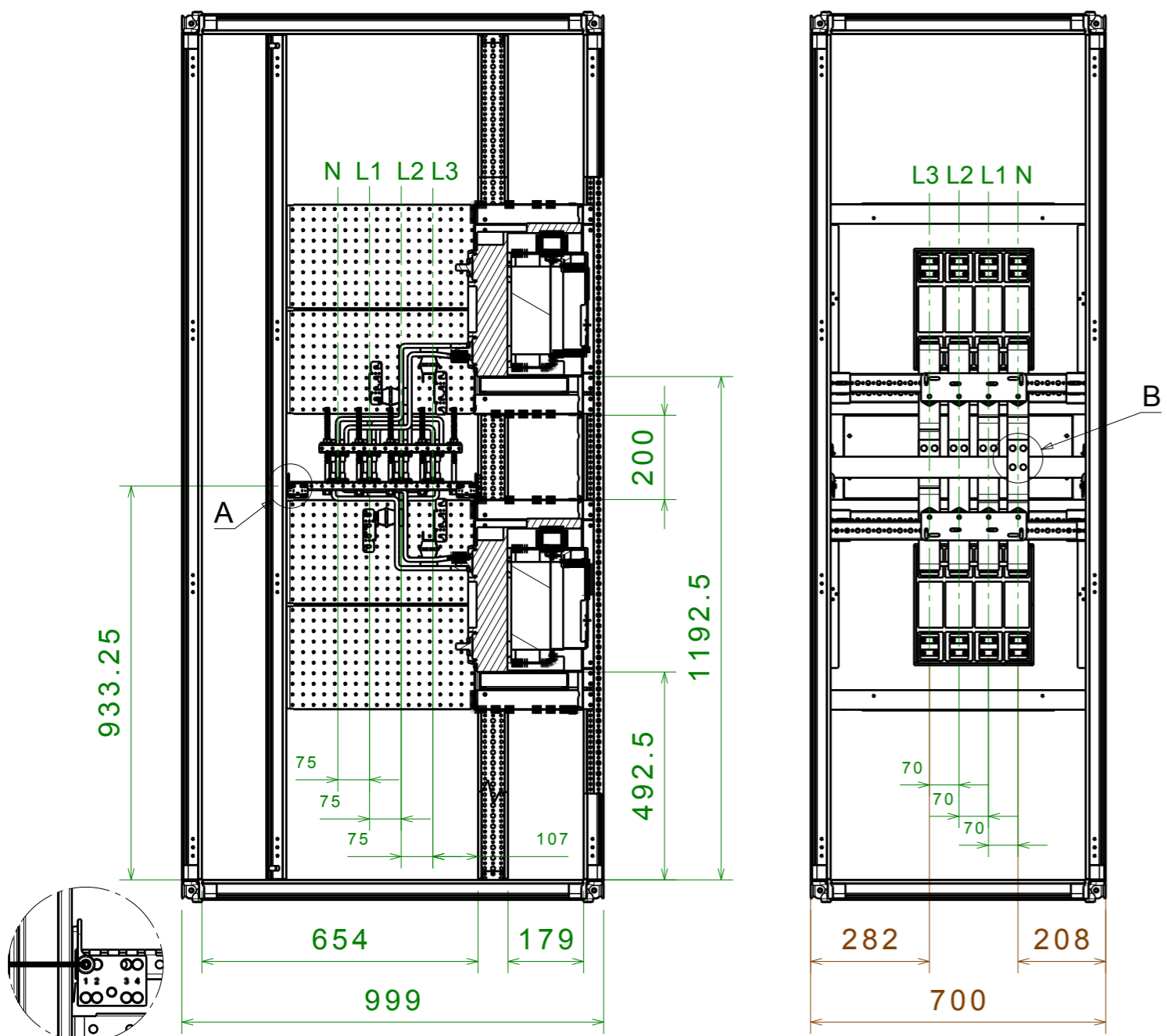
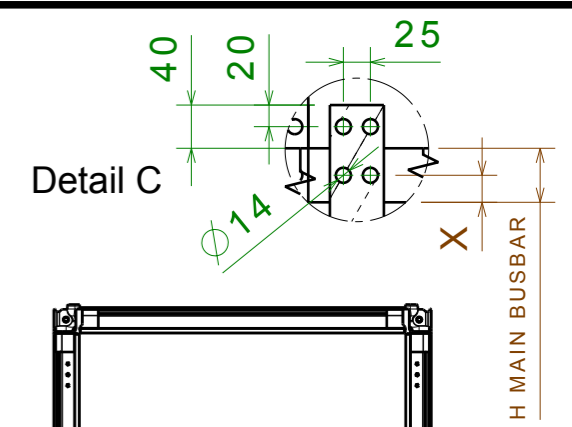


N100%					
POS	QTY	A	B	C	D
1	8	307	115	99	27
2	8	287	104	66.9	36
3	8	267	93	35.4	45
4	4	247	118	34.75	38

SCALA SCALE	:	
DISEGNATORE DESIGNER	:	
APPROVAZIONE APPROVAL	:	
DATA DATE	: xx-xx-xx	
FORMATO FORMED	:	Formato A3 Formed
N° PROGETTO PROJECT	:	XXX.XX
ABB SACE ADB		
DENOMINAZIONE/NAME:		E6.2 6300A W CONNECTION BUSBARS 4x160x10xP
DISEGNO N° /DRAWING N°		8 6 3 8 6 3

ASSEMBLY DRAWING  
E1.2 1000A/1250A W  
(COUPLER COLUMN)  $I_{cw} > 36kA$

ASSEMBLY DRAWING  
E1.2 1000A/1250A W  
(COUPLER COLUMN)  $I_{cw} \leq 36kA$



H MAIN BUSBARS		
	40	50
X	20	25

CONNECTION BUSBAR 2x50x10xP



AGG. DI SEGNO	SCALA SCALE : 1:14	N° PROGETTO / PROJECT : XXX.XX
DESIGNER	DISEGNATORE / DESIGNER :	ABB SACE ADB
APPROVAZIONE / APPROVAL	APPROVAZIONE / APPROVAL :	DENOMINAZIONE/NAME : E1.2 1000A/1250A W (COUPLER COLUMN) CONNECTION BUSBARS 2x50x10xP
DATA DATE : xx-xx-xx	FORMATO A3 Formed	DISEGNO N° / DRAWING N° : 8 6 3 8 5 5

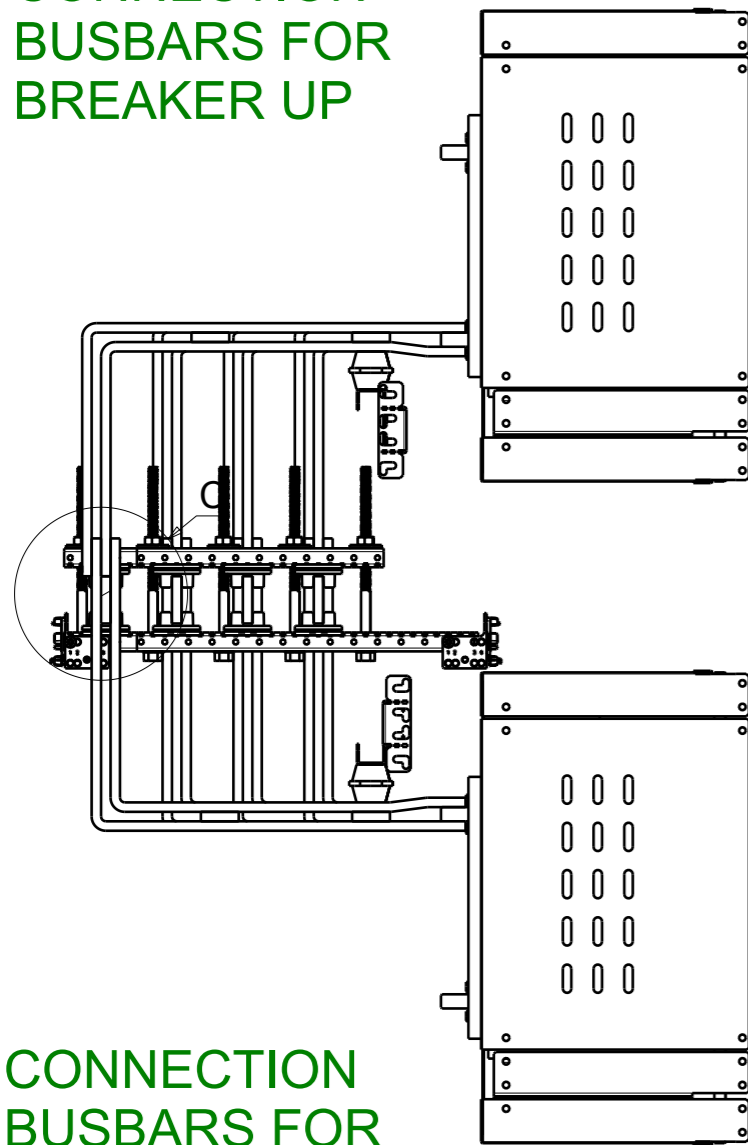
Questo disegno e' di esclusiva proprieta' di ABB SACE ADB. Ne e' vietata la riproduzione e termini di legge

# CONNECTIONS FOR E1.2 WITHDRAWABLE 1000A/1250A (COUPLER COLUMN) $I_{cw} \leq 36KW$

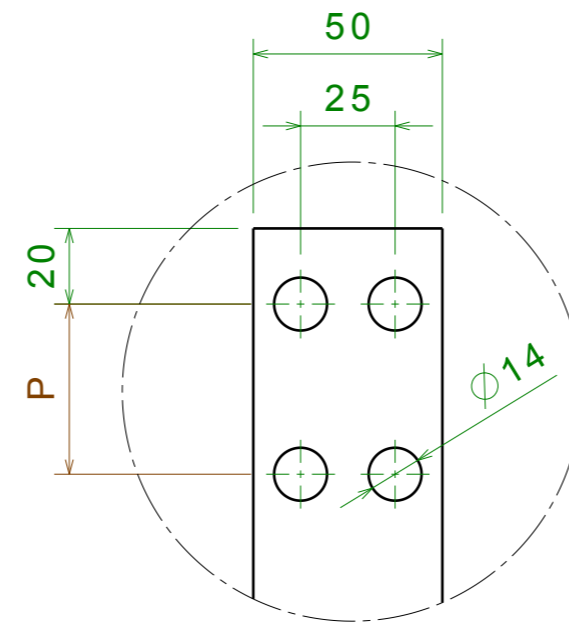
PHASE	POS		A	B	C	P
L3	1	L3.1	180.6	267.75	-	-
	2	L3.2	160.6	247.75	-	-
L2	1	L2.1	255.6	267.75	-	-
	2	L2.2	235.6	247.75	-	-
L1	1	L1.1	330.6	267.75	270	-
	2	L1.2	310.6	247.75	270	-
N	1	N.1	405.6	267.75	270	-
	2	N.2	385.6	247.75	270	-

SPEP P = 700mm  
 BUSBARS HOLDER PBHB1125 (50mm)  
 MAIN BUSBAR IP30 / IP31 : 1000A (1x40x10) ; 1250A (1x50x10)

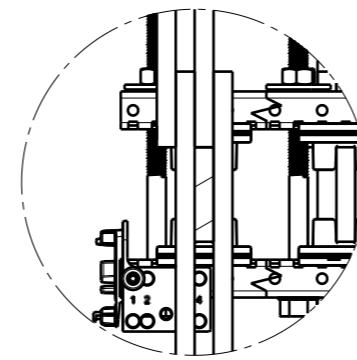
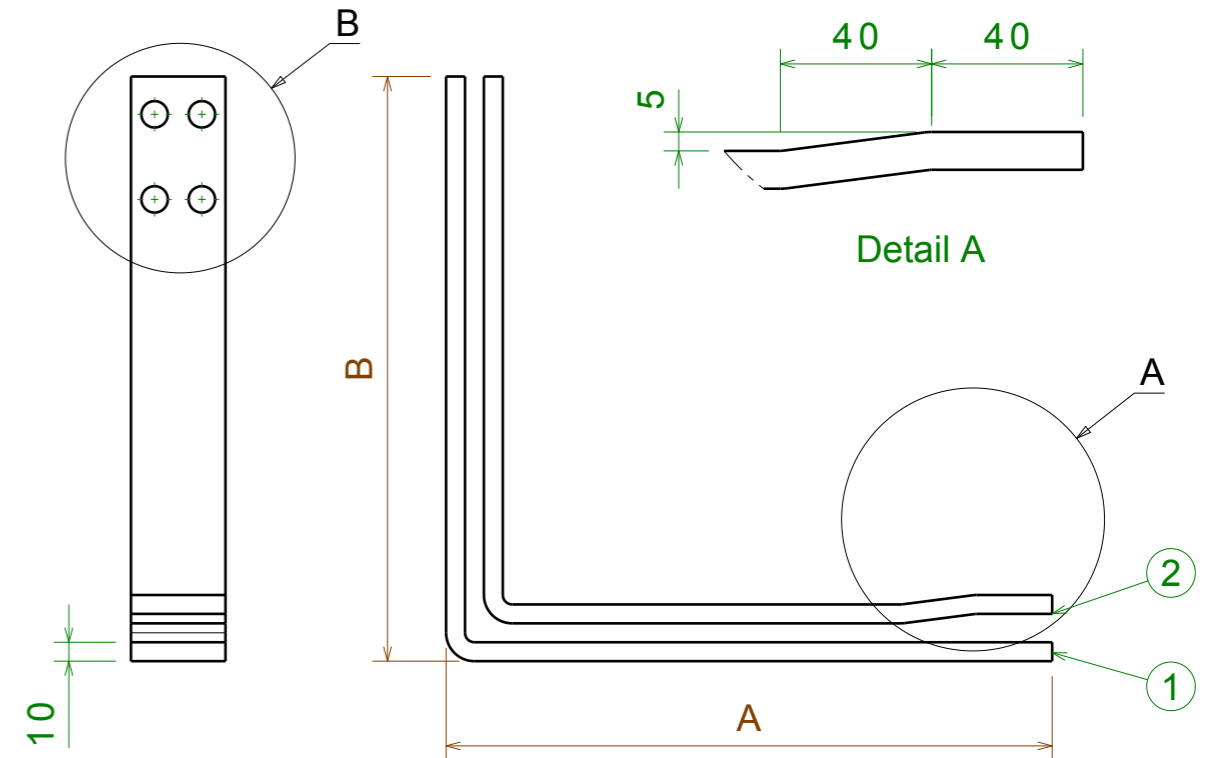
CONNECTION  
BUSBARS FOR  
BREAKER UP



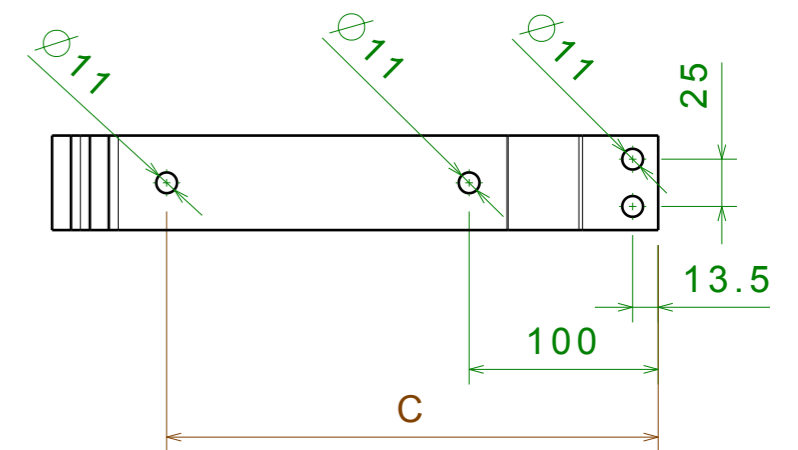
CONNECTION  
BUSBARS FOR  
BREAKER DOWN



Detail B



Detail C

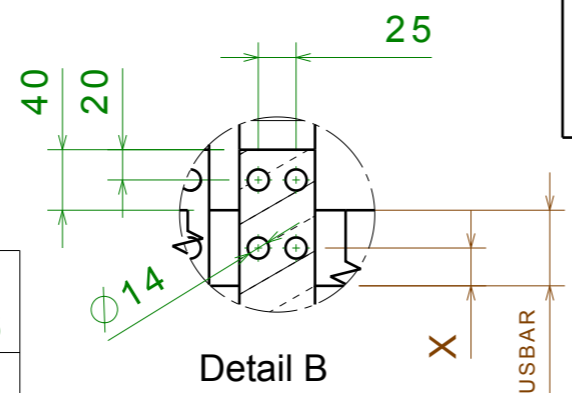
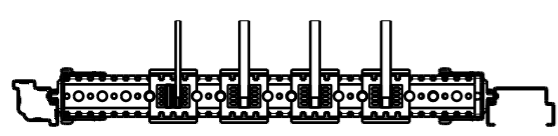
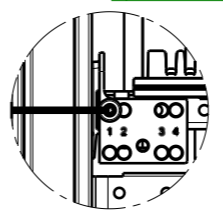
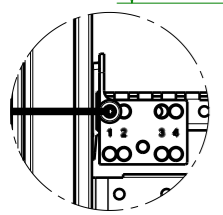
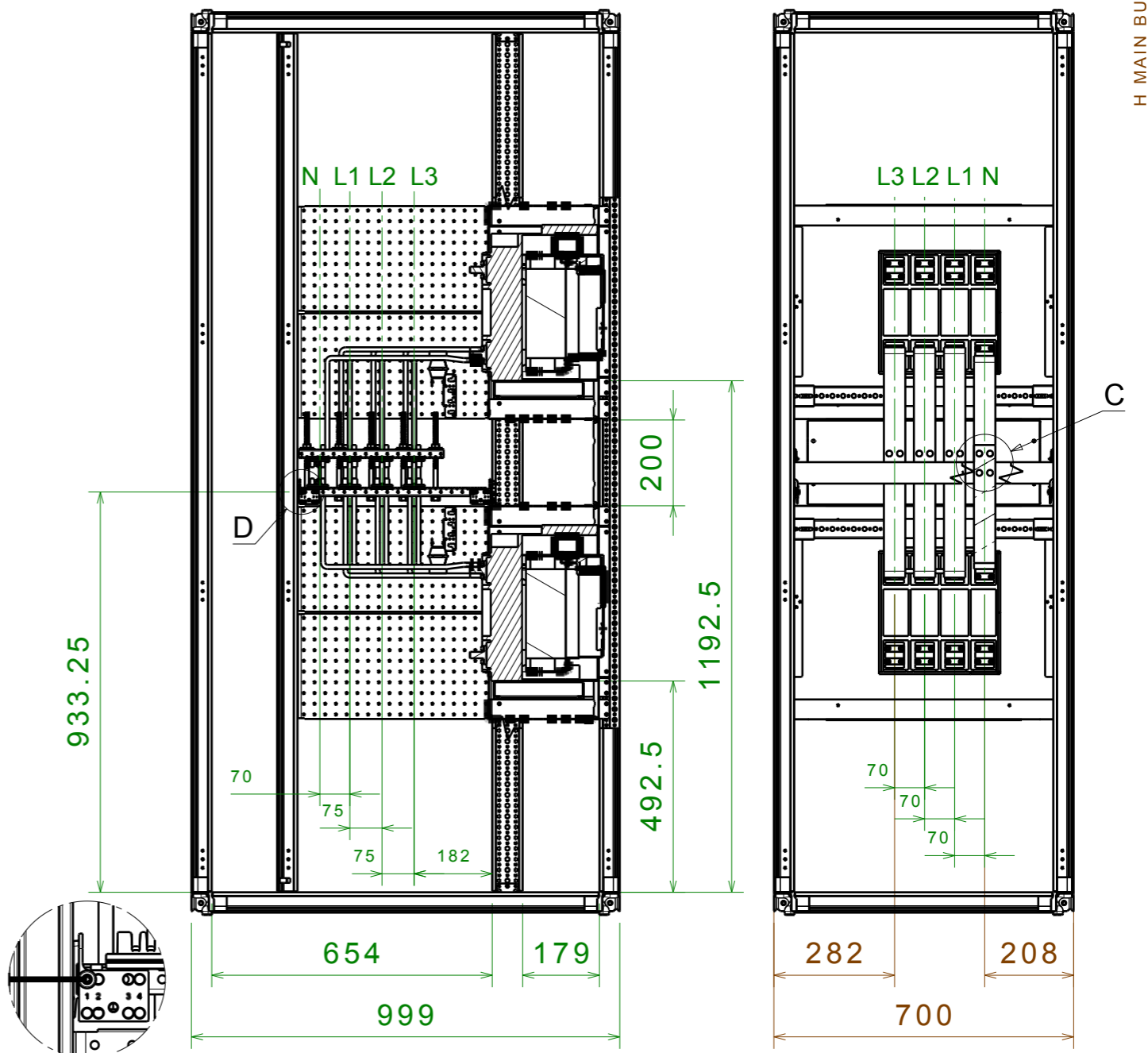
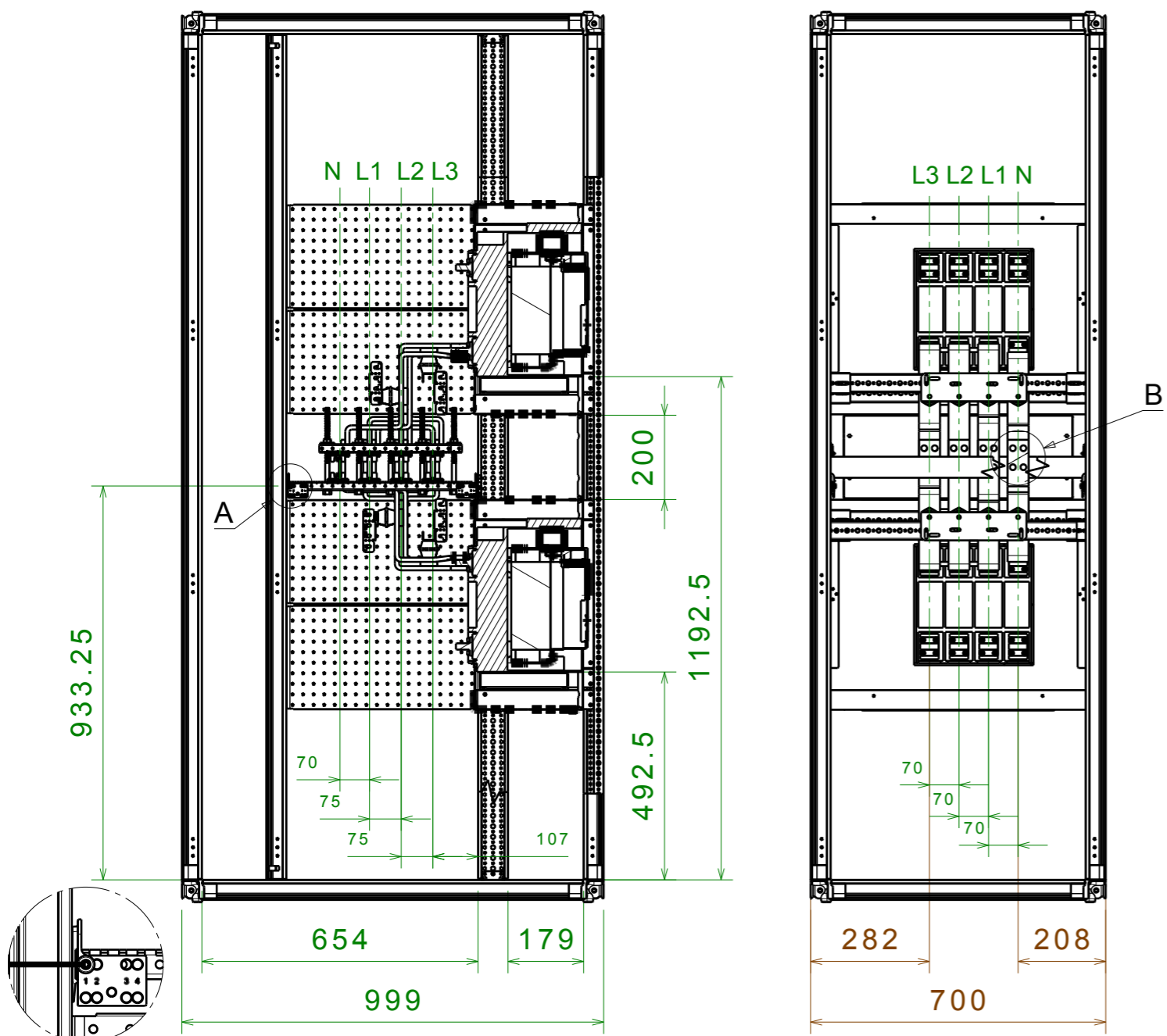
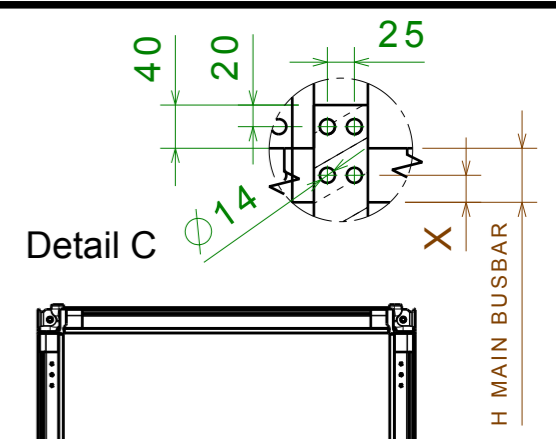


PHASE	POS		A	B	C	P	
						H MAIN BUSBAR	
L3	1	L3.1	170.6	309.25	-	50	45
	2	L3.2	150.6	289.25	-	50	45
L2	1	L2.1	245.6	309.25	-	50	45
	2	L2.2	225.6	289.25	-	50	45
L1	1	L1.1	320.6	309.25	260	50	45
	2	L1.2	300.6	289.25	260	50	45
N	1	N.1	395.6	309.25	260	50	45
	2	N.2	375.6	289.25	260	50	45

DATA	MODIFICA	AGG. DI SEGNO	SCALA SCALE	N° PROGETTO PROJECT	DISEGNO N° /DRAWING N°
			: 1:4	XXX.XX	
			DISEGNATORE DESIGNER		
			APPROVAZIONE APPROVAL		
			DATA DATE		
			Formato A3 Formed		
				ABB SACE ADB	
				DENOMINAZIONE/NAME:	
				E1.2 1000A/1250A W	
				(COUPLER COLUMN)	
				CONNECTION BUSBARS 2x50x10xP_L	
					8 6 3 8 5 6

ASSEMBLY DRAWING  
E1.2 1000A/1250A W  
(COUPLER COLUMN)  $I_{cw} > 36kA$

ASSEMBLY DRAWING  
E1.2 1000A/1250A W  
(COUPLER COLUMN)  $I_{cw} \leq 36kA$



H MAIN BUSBARS		
	40	50
X	20	25

CONNECTION BUSBAR 2x50x10xP + 1x50x10xN

AGG. DI SEGNO	SCALA SCALE : 1:14	N° PROGETTO / PROJECT : XXX.XX
DESIGNER	DISEGNATORE / DESIGNER :	ABB SACE ADB
APPROVAZIONE / APPROVAL	APPROVAZIONE / APPROVAL :	DENOMINAZIONE/NAME : E1.2 1000A/1250A W (COUPLER COLUMN) CONNECTION BUSBARS 2x50x10xP + 1x50x10xN
MODIFICA	DATA DATE : xx-xx-xx	8 6 3 8 9 5
DATA	Formato A3 Formed	DISEGNO N° / DRAWING N°

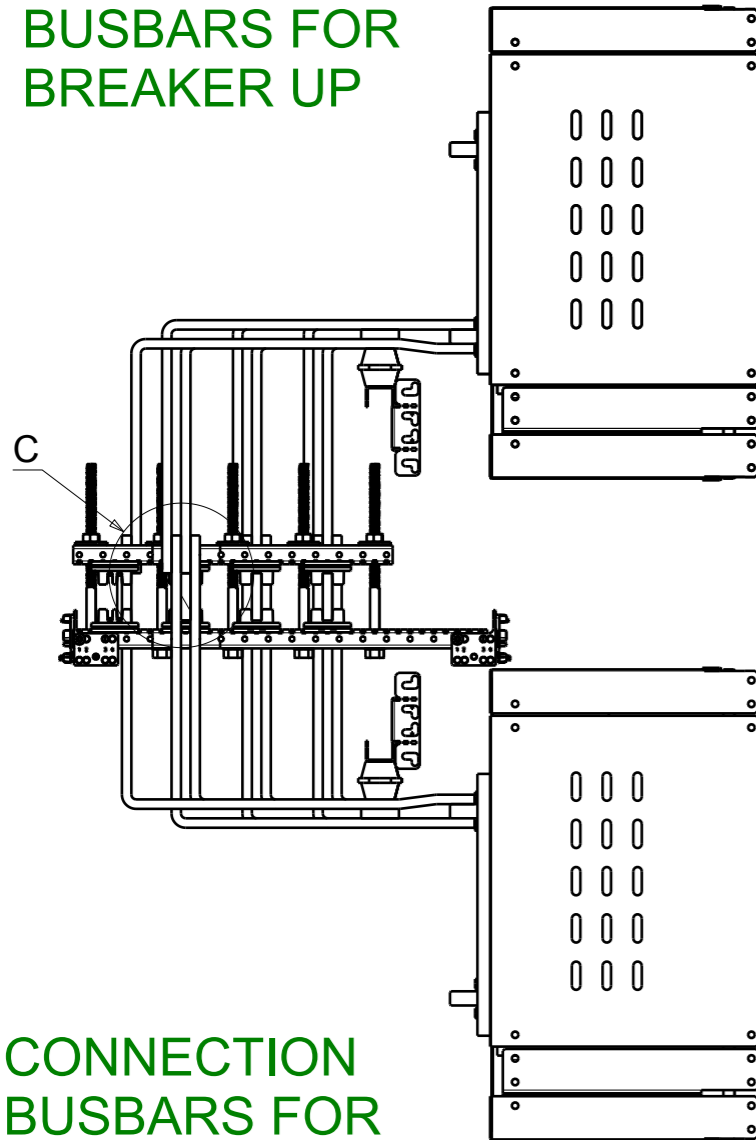
Questo disegno e' di esclusiva proprieta' di ABB SACE ADB. Ne e' vietata la riproduzione e termini di legge

# CONNECTIONS FOR E1.2 WITHDRAWABLE 1000A/1250A (COUPLER COLUMN) $I_{cw} \leq 36KA$

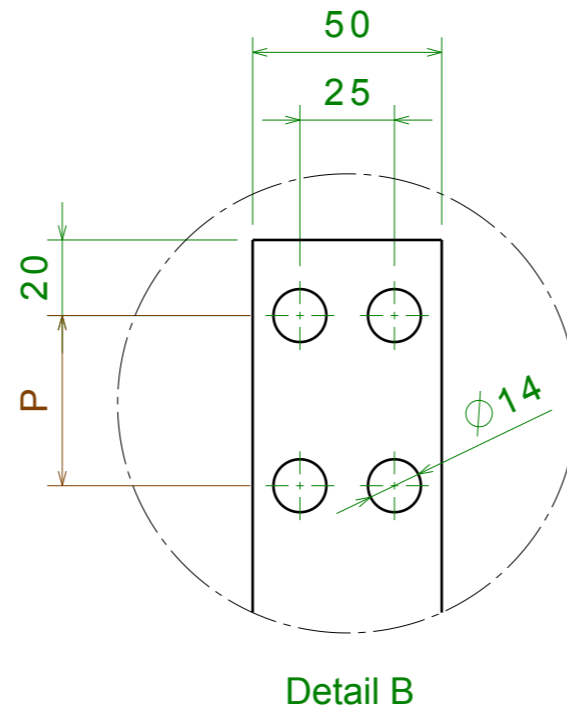
SPEP P = 700mm  
 BUSBARS HOLDER PBHB1125 (50mm)  
 MAIN BUSBAR WITH N 50% IP30 / IP31 : 1000A (1x40x10) ; 1250A (1x50x10)

PHASE	POS		A	B	C	P
L3	1	L3.1	180.6	267.75	-	-
	2	L3.2	160.6	247.75	-	-
L2	1	L2.1	255.6	267.75	-	-
	2	L2.2	235.6	247.75	-	-
L1	1	L1.1	330.6	267.75	270	-
	2	L1.2	310.6	247.75	270	-
N	1	-	-	-	-	-
	2	N.2	363.1	247.75	270	-

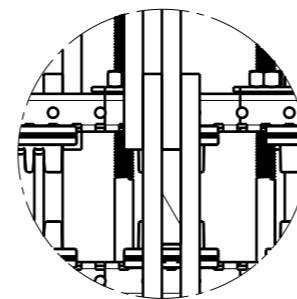
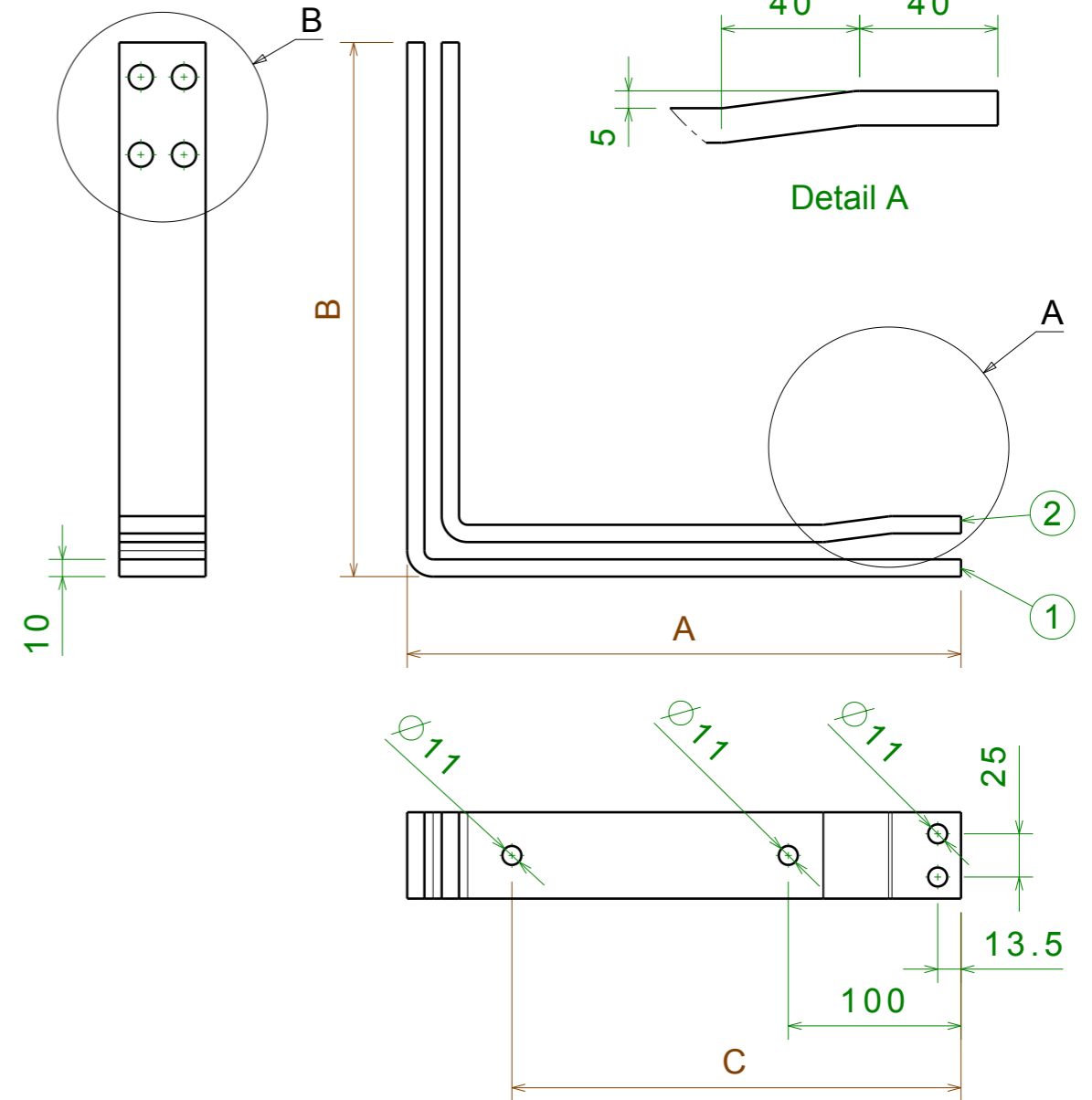
CONNECTION  
BUSBARS FOR  
BREAKER UP



CONNECTION  
BUSBARS FOR  
BREAKER DOWN



Detail B



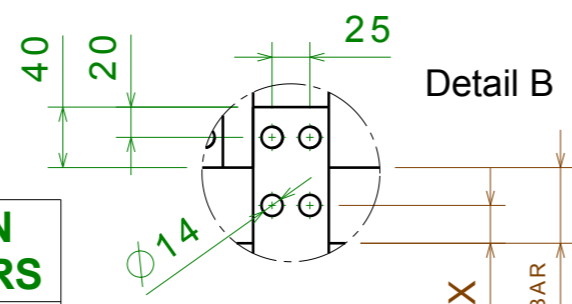
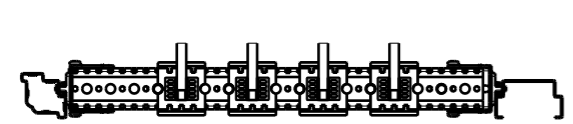
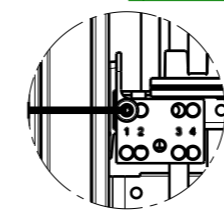
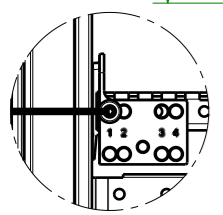
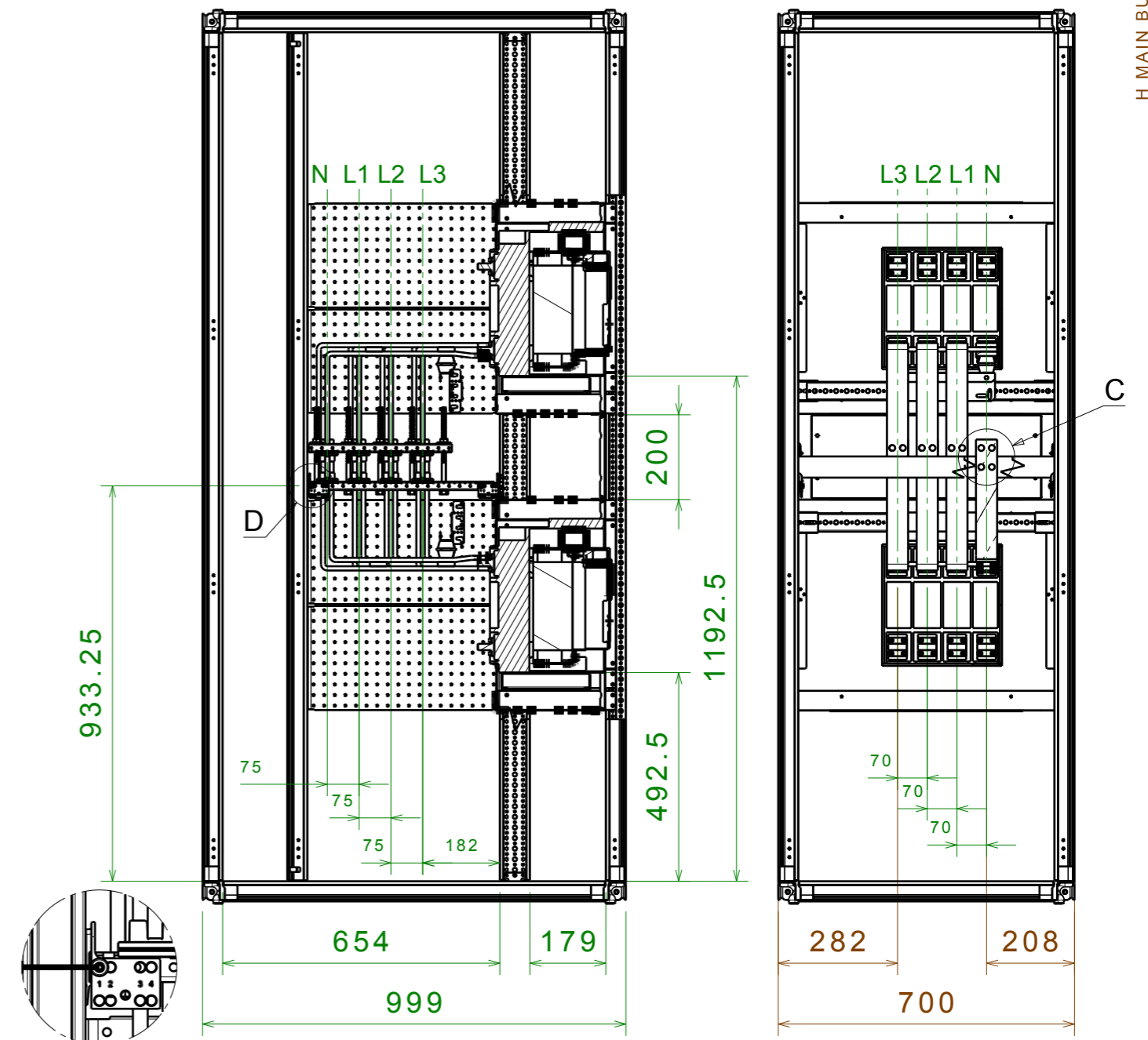
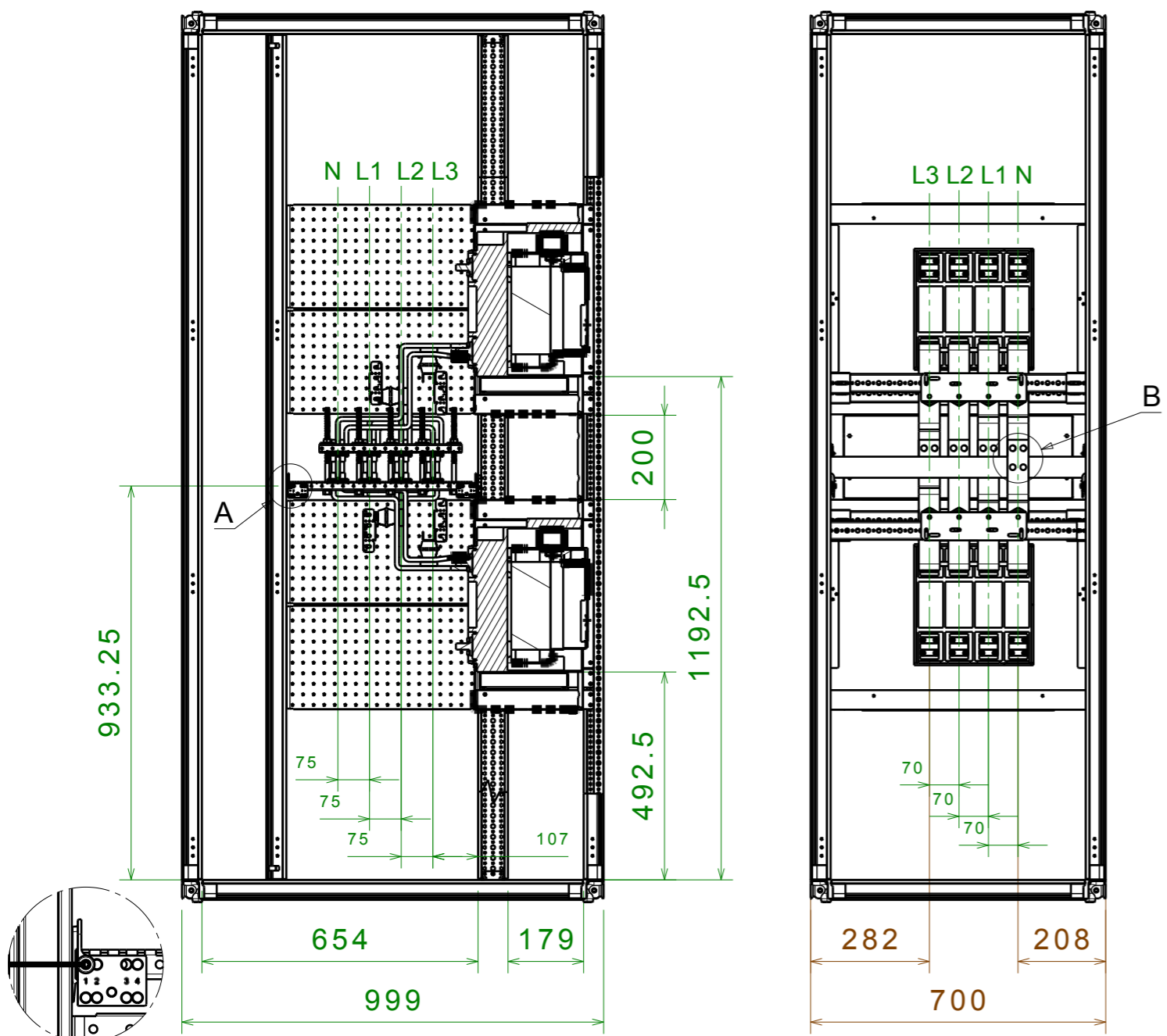
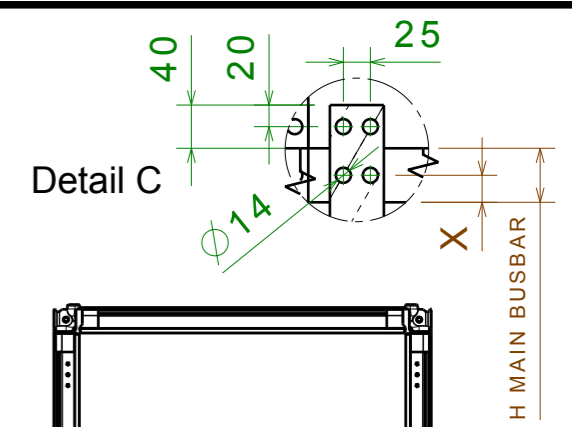
Detail C

PHASE	POS		A	B	C	P	
						H MAIN BUSBAR	
L3	1	L3.1	170.6	309.25	-	50	45
	2	L3.2	150.6	289.25	-	50	45
L2	1	L2.1	245.6	309.25	-	50	45
	2	L2.2	225.6	289.25	-	50	45
L1	1	L1.1	320.6	309.25	260	50	45
	2	L1.2	300.6	289.25	260	50	45
N	1	-	-	-	-	-	-
	2	N.2	373.1	289.25	260	50	45

SCALA SCALE	: 1:4	N° PROGETTO : PROJECT	XXX.XX
DISEGNATORE DESIGNER	:	ABB SACE ADB	
APPROVAZIONE APPROVAL	:	DISEGNO N° /DRAWING N°	
DATA DATE	: xx-xx-xx	E1.2 1000A/1250A W (COUPLER COLUMN) CONNECTION BUSBARS 2x50x10xP + 1x50x10xN	
FORMATO FORMED	Formato A3 Formed	8 6 3 8 9 6	

ASSEMBLY DRAWING  
E1.2 1000A/1250A W  
(COUPLER COLUMN)  $I_{cw} > 36kA$

ASSEMBLY DRAWING  
E1.2 1000A/1250A W  
(COUPLER COLUMN)  $I_{cw} \leq 36kA$



H MAIN BUSBARS		
	40	50
X	20	25

CONNECTION BUSBAR 2x50x10xP



AGG. DI SEGNO	SCALA SCALE : 1:14	N° PROGETTO / PROJECT : XXX.XX
DESIGNER	DISEGNATORE / DESIGNER :	ABB SACE ADB
APPROVAZIONE / APPROVAL	APPROVAZIONE / APPROVAL :	DENOMINAZIONE/NAME : E1.2 1000A/1250A W (COUPLER COLUMN) CONNECTION BUSBARS 2x50x10xP
DATA DATE : xx-xx-xx	FORMATO A3 Formed	DISEGNO N° / DRAWING N° : 8 6 3 8 5 5

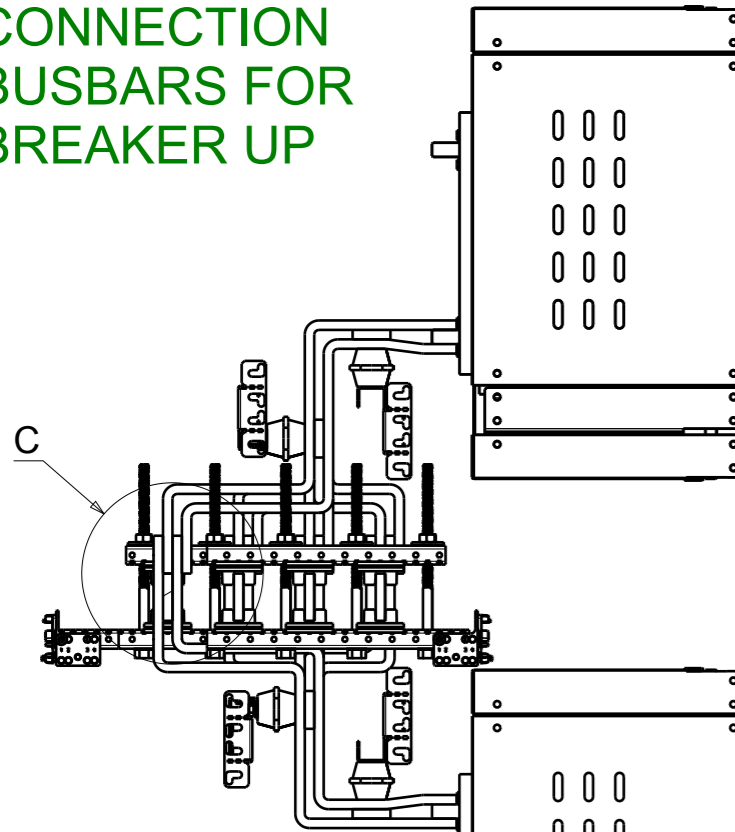
Questo disegno e' di esclusiva proprieta' di ABB SACE ADB. Ne e' vietata la riproduzione e termini di legge

# CONNECTIONS FOR E1.2 WITHDRAWABLE 1000A/1250A (COUPLER COLUMN) $I_{cw} > 36KA$

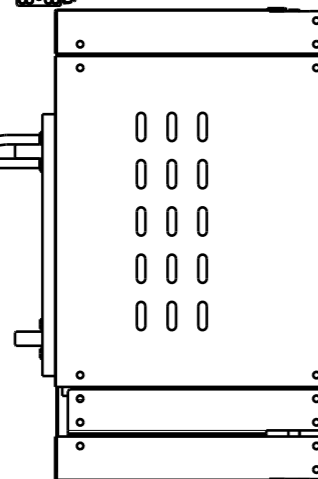
SPEP P = 700mm  
 BUSBARS HOLDER PBHB1125 (50mm)  
 MAIN BUSBAR IP30 / IP31 : 1000A (1x40x10) ; 1250A (1x50x10)

	A	B	C	P
L3.1	160.6	267.75	74.25	-
L3.2	140.6	247.75	94.25	-
L2.1	160.6	267.75	-	-
L2.2	140.6	247.75	-	-
L1.1	160.6	267.75	94.25	-
L1.2	140.6	247.75	74.25	-
N.1	160.6	267.75	94.25	-
N.2	140.6	247.75	74.25	-

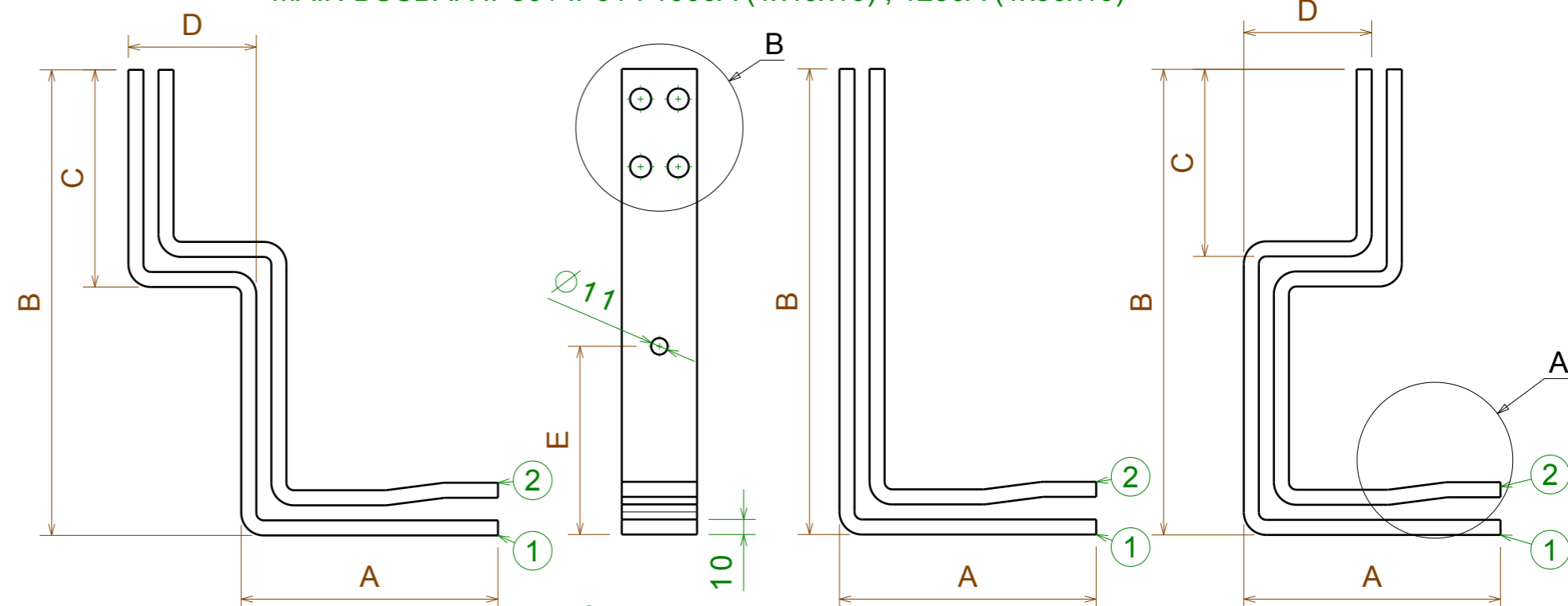
CONNECTION  
BUSBARS FOR  
BREAKER UP



CONNECTION  
BUSBARS FOR  
BREAKER DOWN



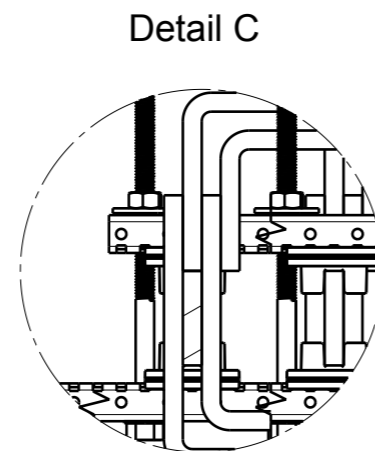
	A	B	C	P	
				H MAIN BUSBAR	
L3.1	170.6	309.25	124.25	40	50
L3.2	150.6	289.25	144.25	50	45
L2.1	170.6	309.25	-	50	45
L2.2	150.6	289.25	-	50	45
L1.1	170.6	309.25	144.25	50	45
L1.2	150.6	289.25	124.25	50	45
N.1	170.6	309.25	144.25	50	45
N.2	150.6	289.25	124.25	50	45



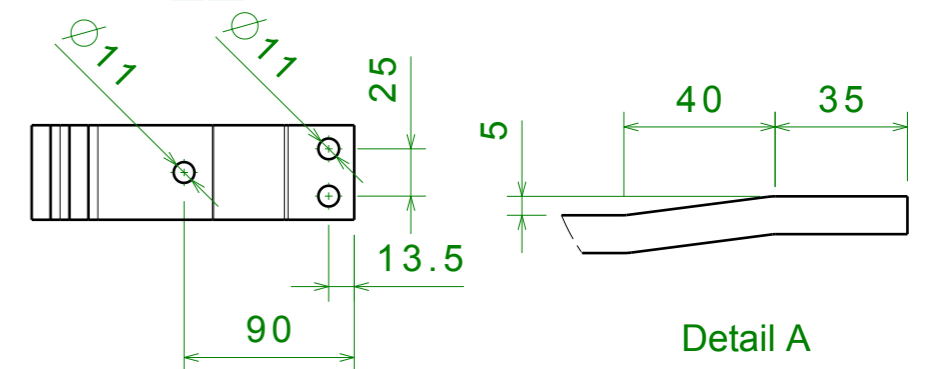
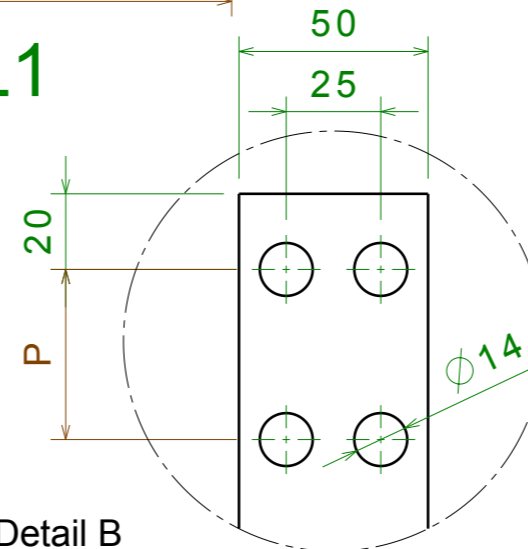
N-L1

L2

L3



Detail B



PHASE	POS		D	E
L3	1	L3.1	85	125
	2	L3.2	85	105
L2	1	L2.1	-	125
	2	L2.2	-	105
L1	1	L1.1	85	125
	2	L1.2	85	105
N	1	N.1	160	125
	2	N.2	160	105

SCALA SCALE	: 1:8	N° PROGETTO PROJECT	XXX.XX
DISEGNATORE DESIGNER	:	ABB SACE ADB	
APPROVAZIONE APPROVAL	:	DISEGNO N° / DRAWING N°	
DATA DATE	: xx-xx-xx	8 6 3 8 5 7	
FORMATO FORMED	Formato A3 Formed	DENOMINAZIONE/NAME: E1.2 1000A/1250A W (COUPLER COLUMN) CONNECTION BUSBARS 2x50x10xP	

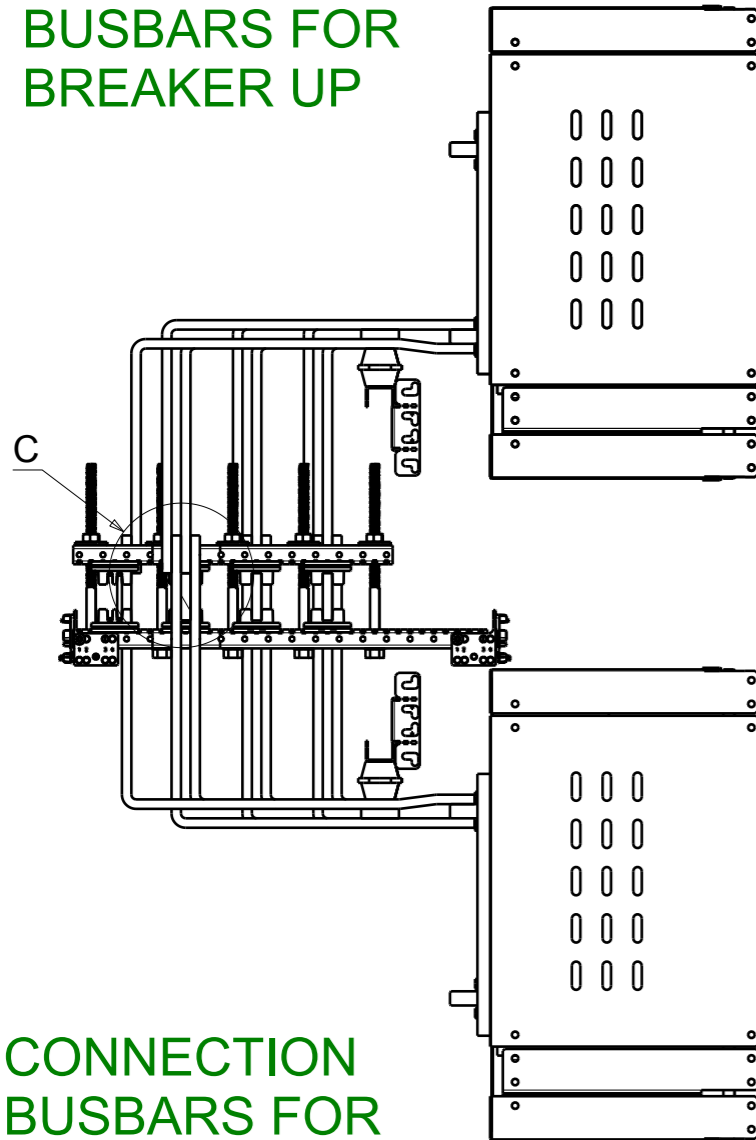


# CONNECTIONS FOR E1.2 WITHDRAWABLE 1000A/1250A (COUPLER COLUMN) $I_{cw} \leq 36KA$

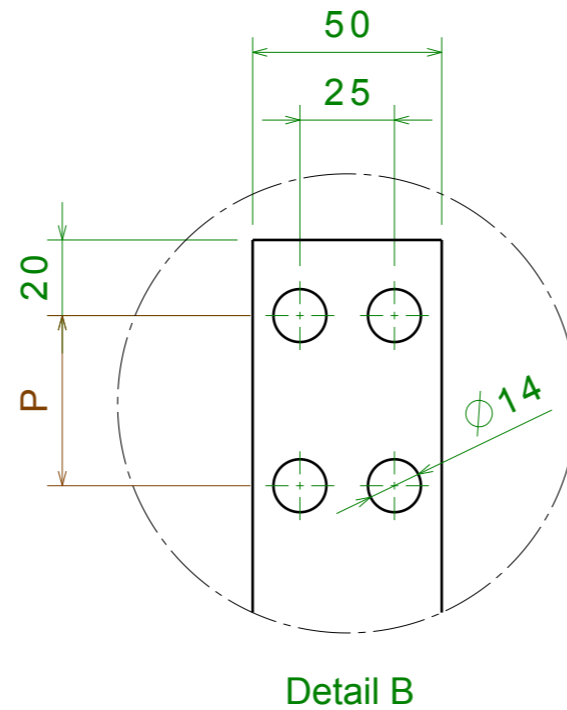
SPEP P = 700mm  
 BUSBARS HOLDER PBHB1125 (50mm)  
 MAIN BUSBAR WITH N 50% IP30 / IP31 : 1000A (1x40x10) ; 1250A (1x50x10)

PHASE	POS		A	B	C	P
L3	1	L3.1	180.6	267.75	-	-
	2	L3.2	160.6	247.75	-	-
L2	1	L2.1	255.6	267.75	-	-
	2	L2.2	235.6	247.75	-	-
L1	1	L1.1	330.6	267.75	270	-
	2	L1.2	310.6	247.75	270	-
N	1	-	-	-	-	-
	2	N.2	363.1	247.75	270	-

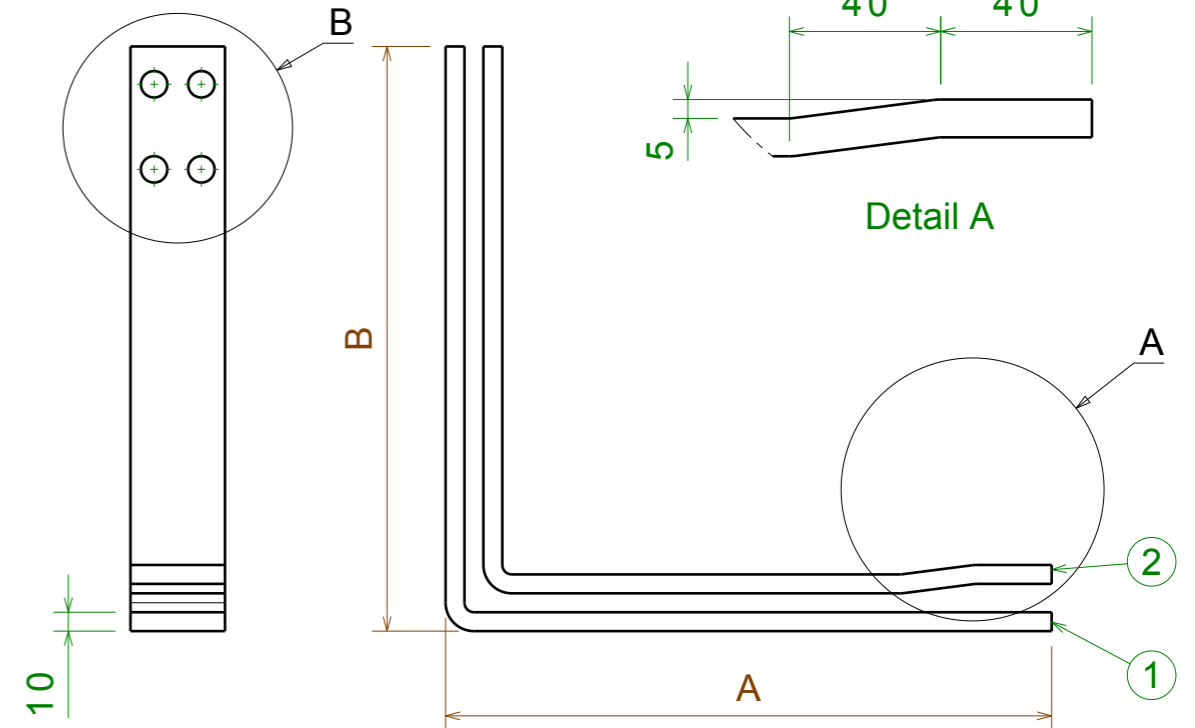
CONNECTION  
BUSBARS FOR  
BREAKER UP



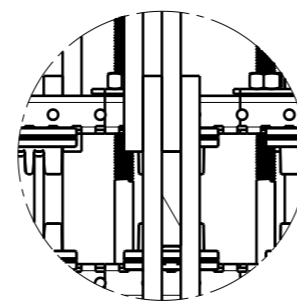
CONNECTION  
BUSBARS FOR  
BREAKER DOWN



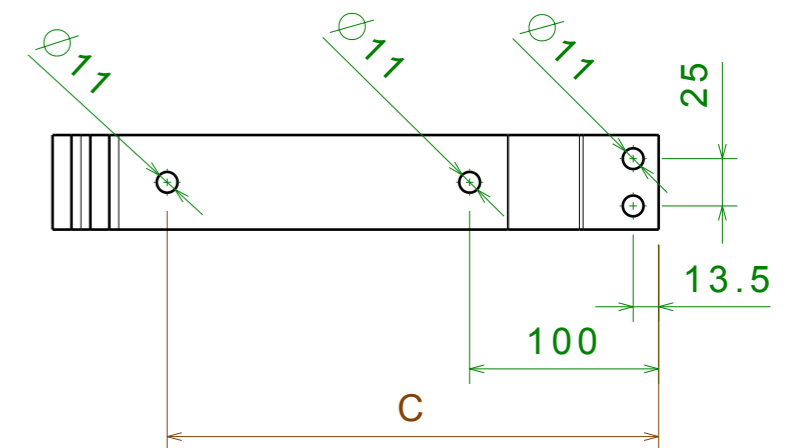
Detail B



Detail A



Detail C

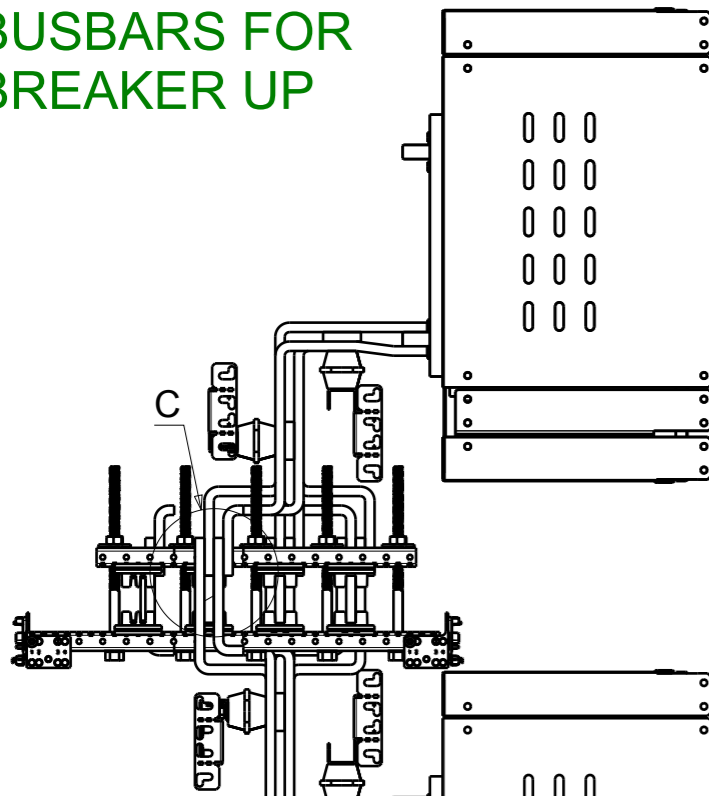


PHASE	POS		A	B	C	P	
						H MAIN BUSBAR	
L3	1	L3.1	170.6	309.25	-	50	45
	2	L3.2	150.6	289.25	-	50	45
L2	1	L2.1	245.6	309.25	-	50	45
	2	L2.2	225.6	289.25	-	50	45
L1	1	L1.1	320.6	309.25	260	50	45
	2	L1.2	300.6	289.25	260	50	45
N	1	-	-	-	-	-	-
	2	N.2	373.1	289.25	260	50	45

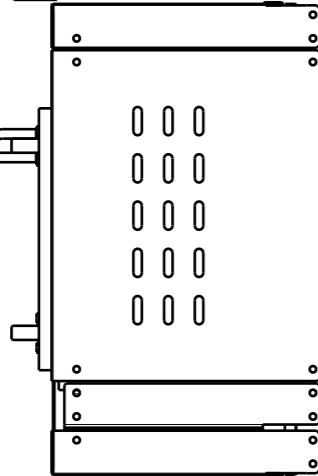
SCALA SCALE	: 1:4	N° PROGETTO : PROJECT	XXX.XX
DISEGNATORE DESIGNER	:	ABB SACE ADB	
APPROVAZIONE APPROVAL	:	DISEGNO N° /DRAWING N°	
DATA DATE	: xx-xx-xx	E1.2 1000A/1250A W (COUPLER COLUMN) CONNECTION BUSBARS 2x50x10xP + 1x50x10xN	
FORMATO FORMED	Formato A3 Formed	8 6 3 8 9 6	

	A	B	C	P
L3.1	160.6	267.75	74.25	-
L3.2	140.6	247.75	94.25	-
L2.1	160.6	267.75	-	-
L2.2	140.6	247.75	-	-
L1.1	160.6	267.75	94.25	-
L1.2	140.6	247.75	74.25	-
-	-	-	-	-
N.2	160.6	247.75	74.25	-

### CONNECTION BUSBARS FOR BREAKER UP



### CONNECTION BUSBARS FOR BREAKER DOWN



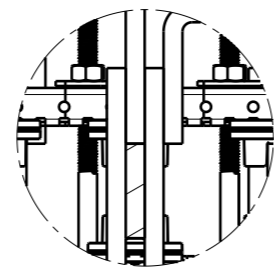
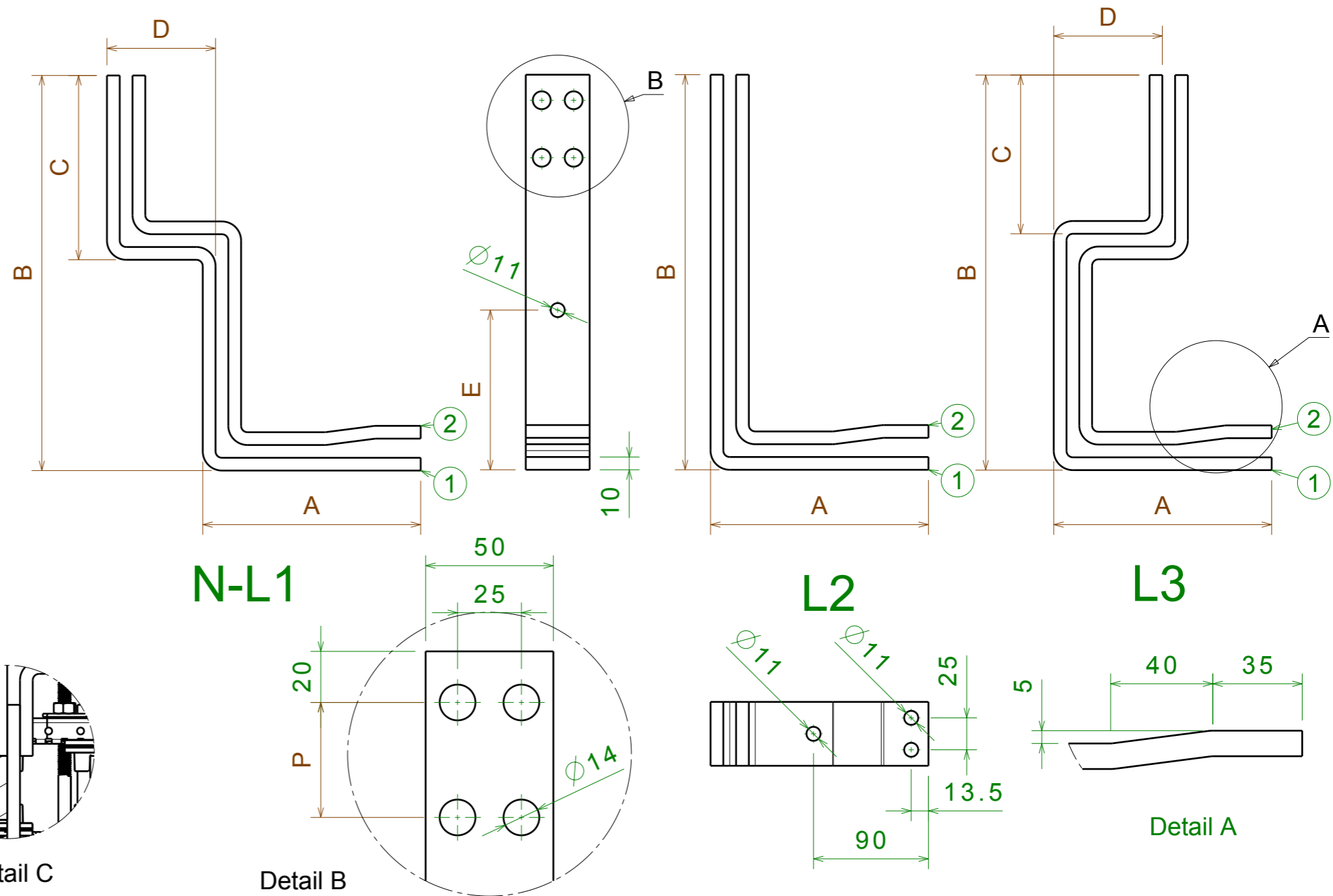
	A	B	C	P	
				H	MAIN BUSBAR
L3.1	170.6	309.25	124.25	50	45
L3.2	150.6	289.25	144.25	50	45
L2.1	170.6	309.25	-	50	45
L2.2	150.6	289.25	-	50	45
L1.1	170.6	309.25	144.25	50	45
L1.2	150.6	289.25	124.25	50	45
-	-	-	-	-	-
N.2	170.6	289.25	124.25	50	45

# CONNECTIONS FOR E1.2 WITHDRAWABLE 1000A/1250A (COUPLER COLUMN) $I_{cw} > 36KA$

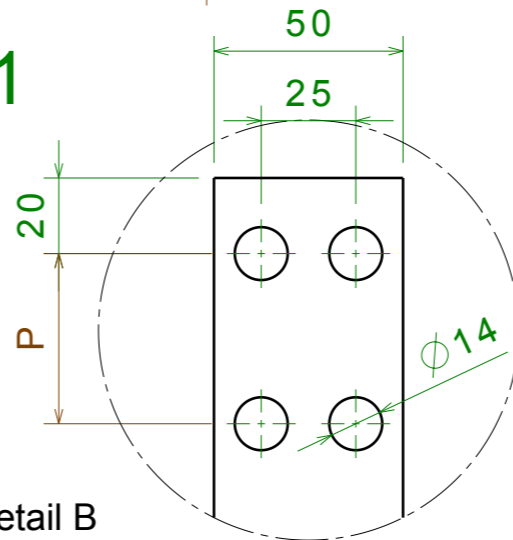
SPEP P = 700mm

BUSBARS HOLDER PBHB1125 (50mm)

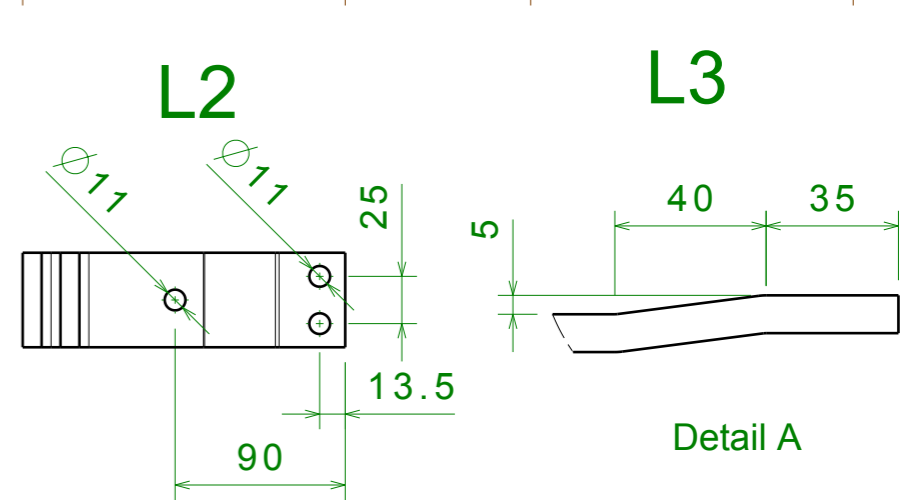
MAIN BUSBAR WITH N 50% IP30 / IP31 : 1000A (1x40x10) ; 1250A (1x50x10)



Detail C



Detail B

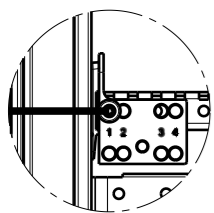
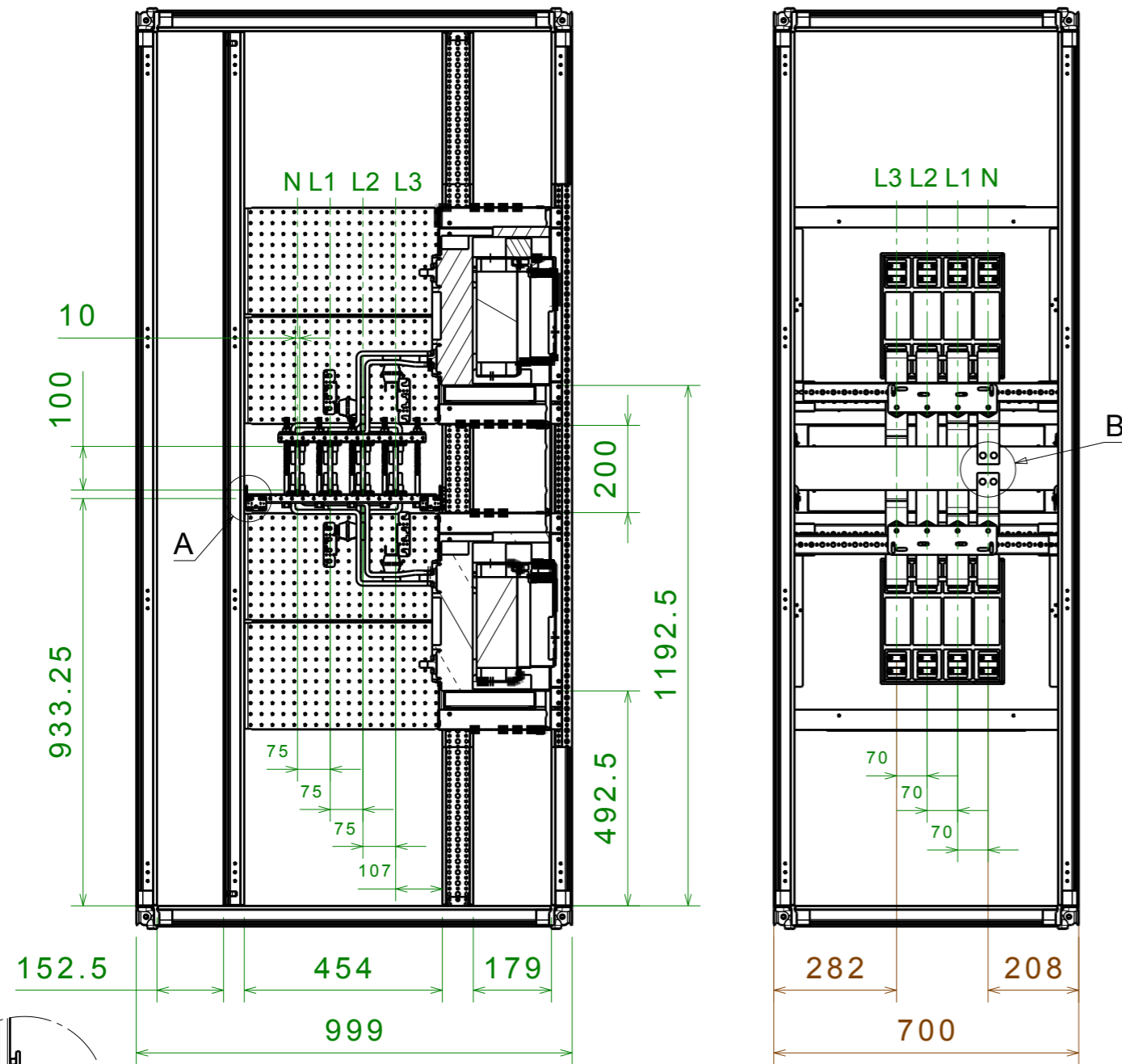


Detail A

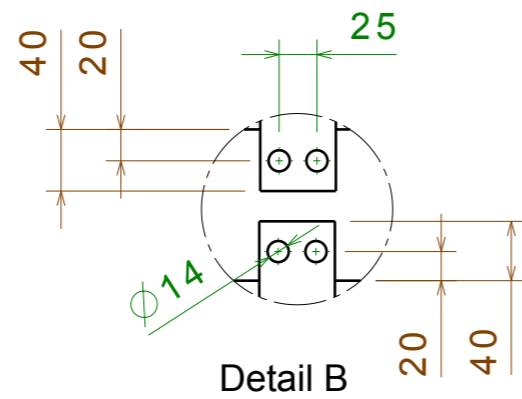
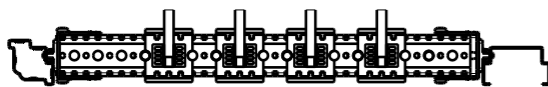
PHASE	POS		D	E
L3	1	L3.1	85	125
	2	L3.2	85	105
L2	1	L2.1	-	125
	2	L2.2	-	105
L1	1	L1.1	85	125
	2	L1.2	85	105
N	1	-	-	-
	2	N.2	137.5	105

SCALA SCALE : 1:8	N° PROGETTO / PROJECT : XXX.XX
DISEGNATORE / DESIGNER :	ABB SACE ADB
APPROVAZIONE / APPROVAL :	DENOMINAZIONE/NAME : E1.2 1000A/1250A W (COUPLER COLUMN) CONNECTION BUSBARS 2x50x10xP + 1x50x10xN
DATA DATE : xx-xx-xx	Formato A3 Formed
DISEGNO N° / DRAWING N° : 8 6 3 8 9 7	

ASSEMBLY DRAWING  
E1.2 1000A/1250A/1600A W  
(COUPLER COLUMN)  $I_{cw} > 36kA$



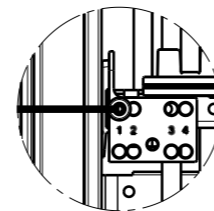
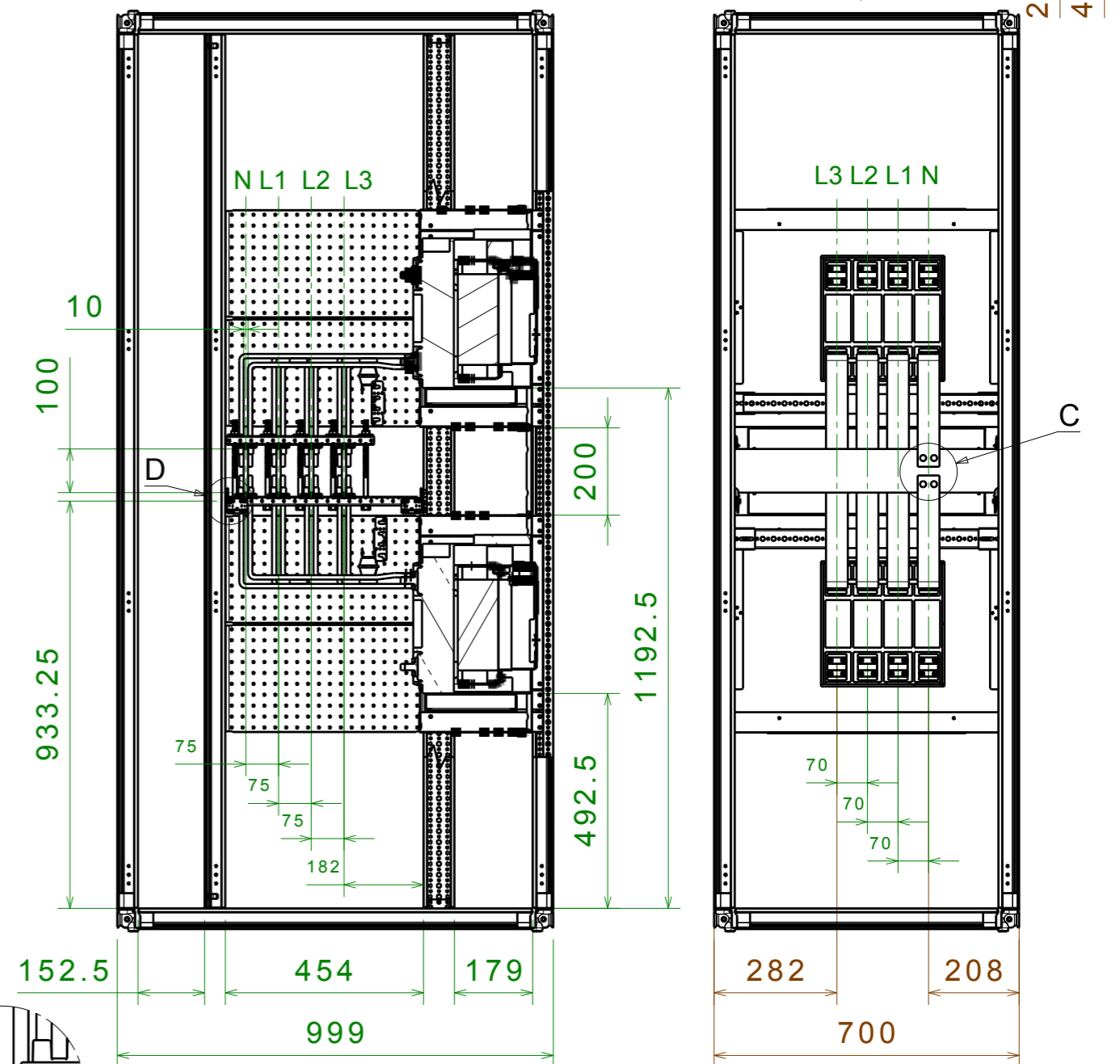
Detail A



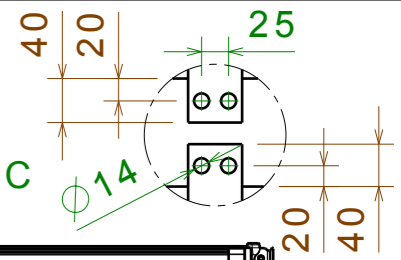
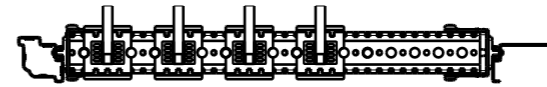
Detail B


CONNECTION BUSBAR 2x50x10xP

ASSEMBLY DRAWING  
E1.2 1000A/1250A/1600A W  
(COUPLER COLUMN)  $I_{cw} \leq 36kA$  Detail C



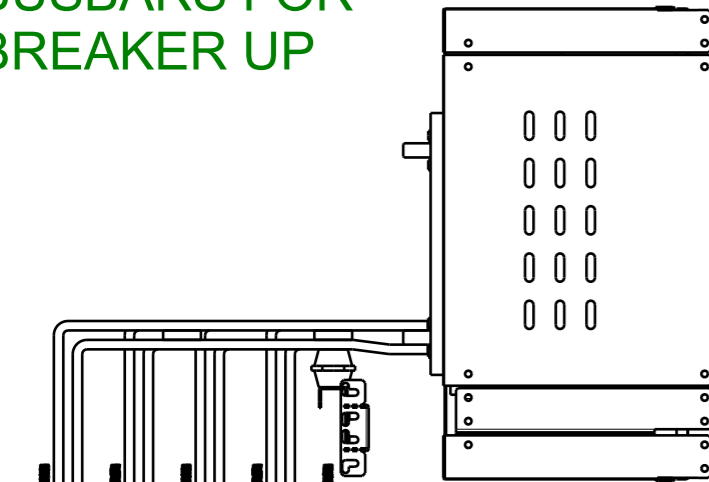
Detail D



AGG. DI SEGNO	SCALA SCALE	: 1:14	N° PROGETTO PROJECT	XXX.XX
MODIFICA	DISEGNATORE DESIGNER	:	<b>ABB</b> ABB SACE ADB DENOMINAZIONE/NAME: E1.2 1000A/1250A/1600A W CONNECTION BUSBARS 2x50x10xP (COUPLER COLUMN)	
DATA	APPROVAZIONE APPROVAL	:		
	DATA DATE	: xx-xx-xx	DISEGNO N° /DRAWING N°	
	 Formato A3 Formed		<b>8 6 3 8 3 9</b>	

# CONNECTIONS FOR E1.2 WITHDRAWABLE 1000A/1250A/1600A (COUPLER COLUMN) $I_{cw} \leq 36KW$

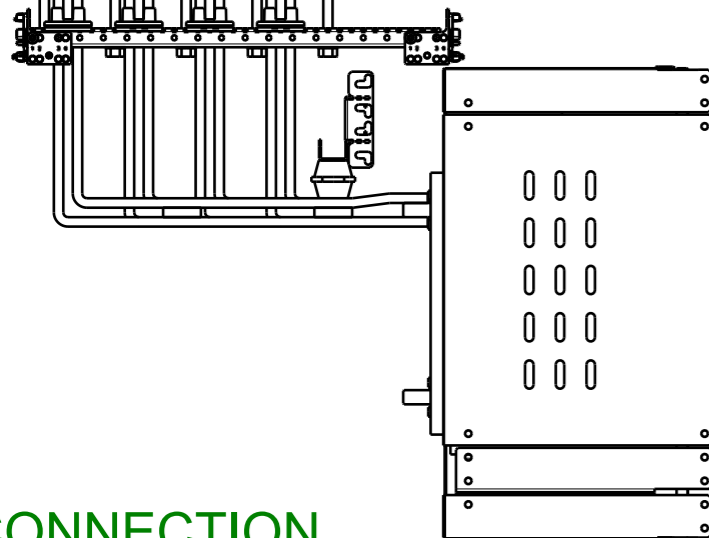
CONNECTION  
BUSBARS FOR  
BREAKER UP



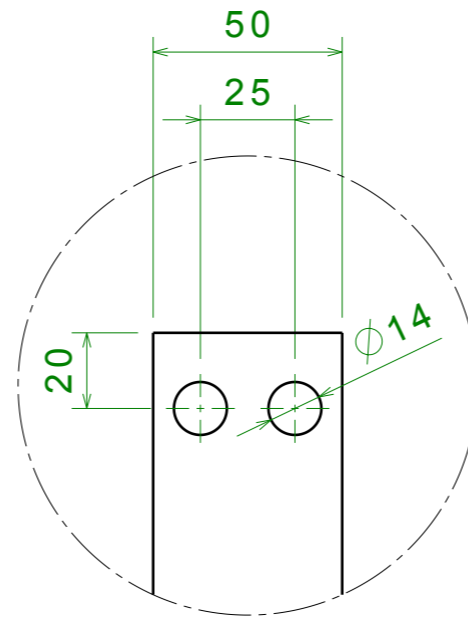
	B	
	H MAIN BUSBARS	
	80	100
L3.1	278.5	258.5
L3.2	258.5	238.5
L2.1	278.5	258.5
L2.2	258.5	238.5
L1.1	278.5	258.5
L1.2	258.5	238.5
N.1	278.5	258.5
N.2	258.5	238.5

SPEP P = 700mm  
BUSBARS HOLDER PBHB1125 (50mm)  
MAIN BUSBAR IP30 / IP31 : 1600A (1x80x10)  
MAIN BUSBAR IP40 / IP41 / IP65 : 1600A (1x100x10)

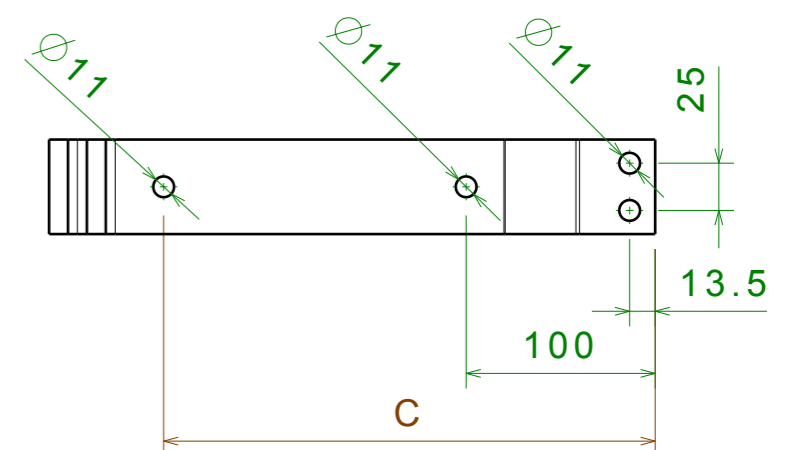
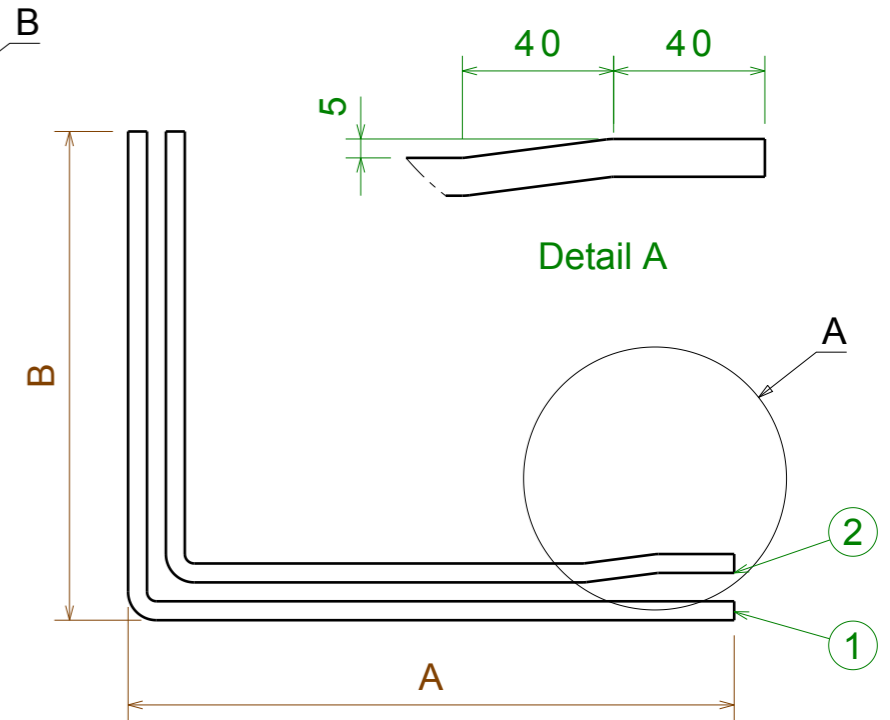
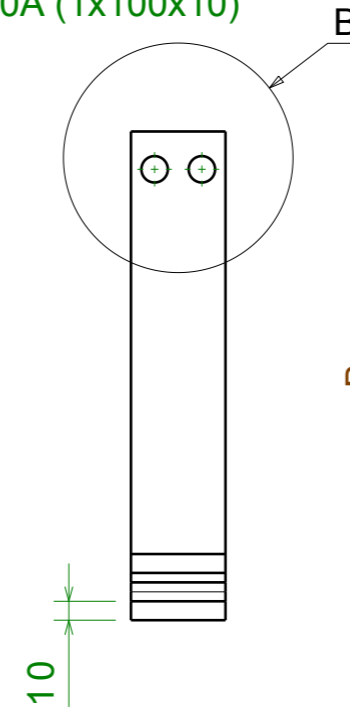
CONNECTION  
BUSBARS FOR  
BREAKER DOWN



	B	
	H MAIN BUSBARS	
	80	100
L3.1	258.5	258.5
L3.2	238.5	238.5
L2.1	258.5	258.5
L2.2	238.5	238.5
L1.1	258.5	258.5
L1.2	238.5	238.5
N.1	258.5	258.5
N.2	238.5	238.5



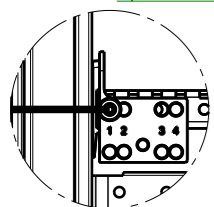
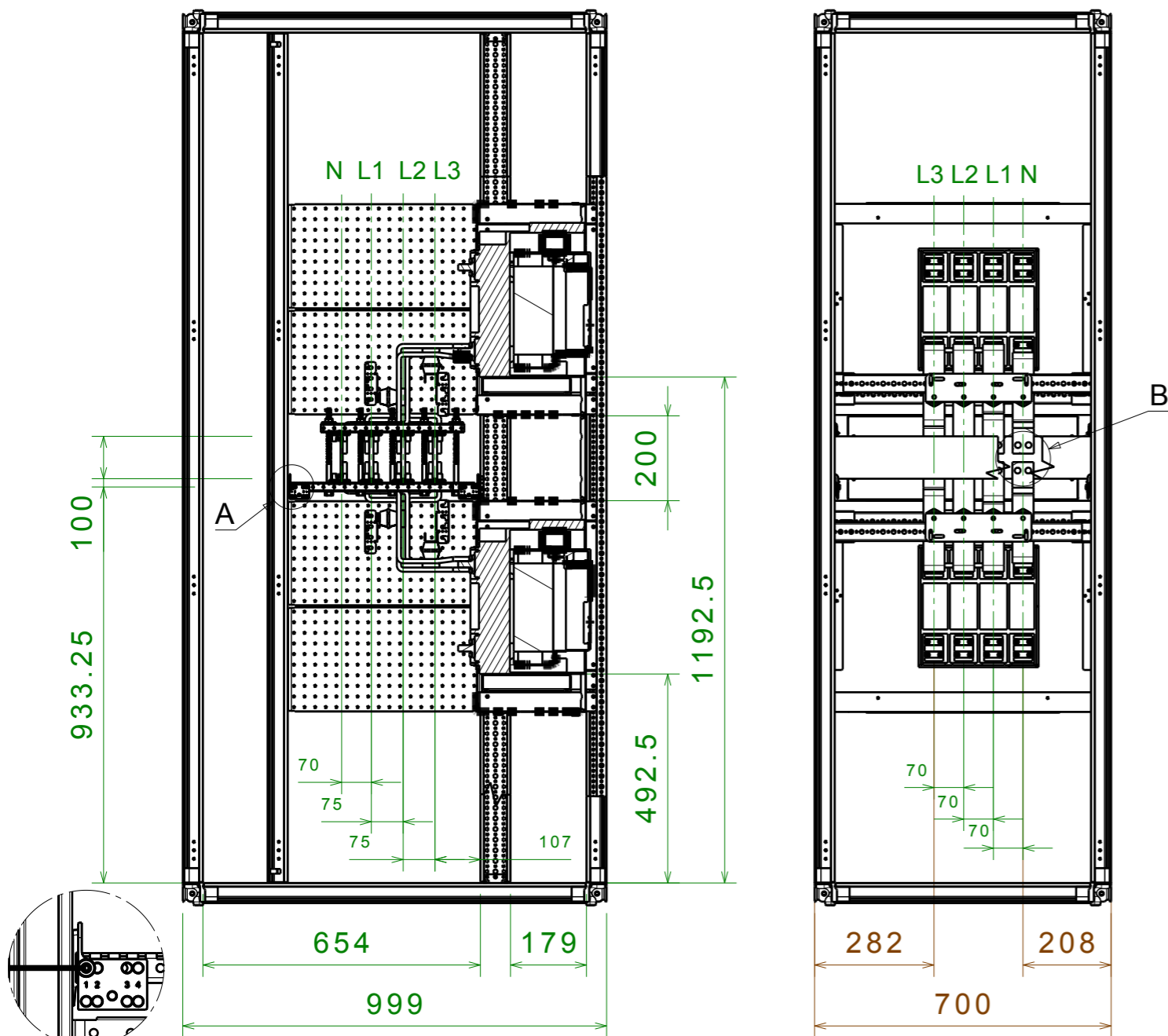
Detail B



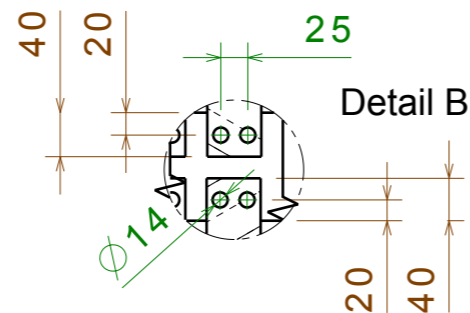
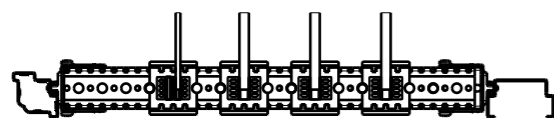
PHASE	POS		A	C
L3	1	L3.1	170.6	-
	2	L3.2	150.6	-
L2	1	L2.1	245.6	-
	2	L2.2	225.6	-
L1	1	L1.1	320.6	260
	2	L1.2	300.6	260
N	1	N.1	395.6	260
	2	N.2	375.6	260

SCALA SCALE	: 1:4	N° PROGETTO : PROJECT	XXX.XX
DISEGNATORE DESIGNER	:	ABB SACE ADB	
APPROVAZIONE APPROVAL	:	DISEGNO N° /DRAWING N°	
DATA DATE	: xx-xx-xx	8 6 3 8 4 0	
FORMATO FORMED	Formato A3 Formed	DENOMINAZIONE/NAME: E1.2 1000A/1250A/1600A W (COUPLER COLUMN) CONNECTION BUSBARS 2x50x10xP_L	

ASSEMBLY DRAWING  
E1.2 1000A/1250A/1600A W  
(COUPLER COLUMN)  $I_{cw} > 36kA$



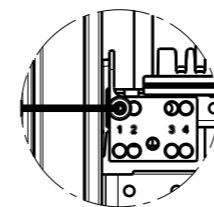
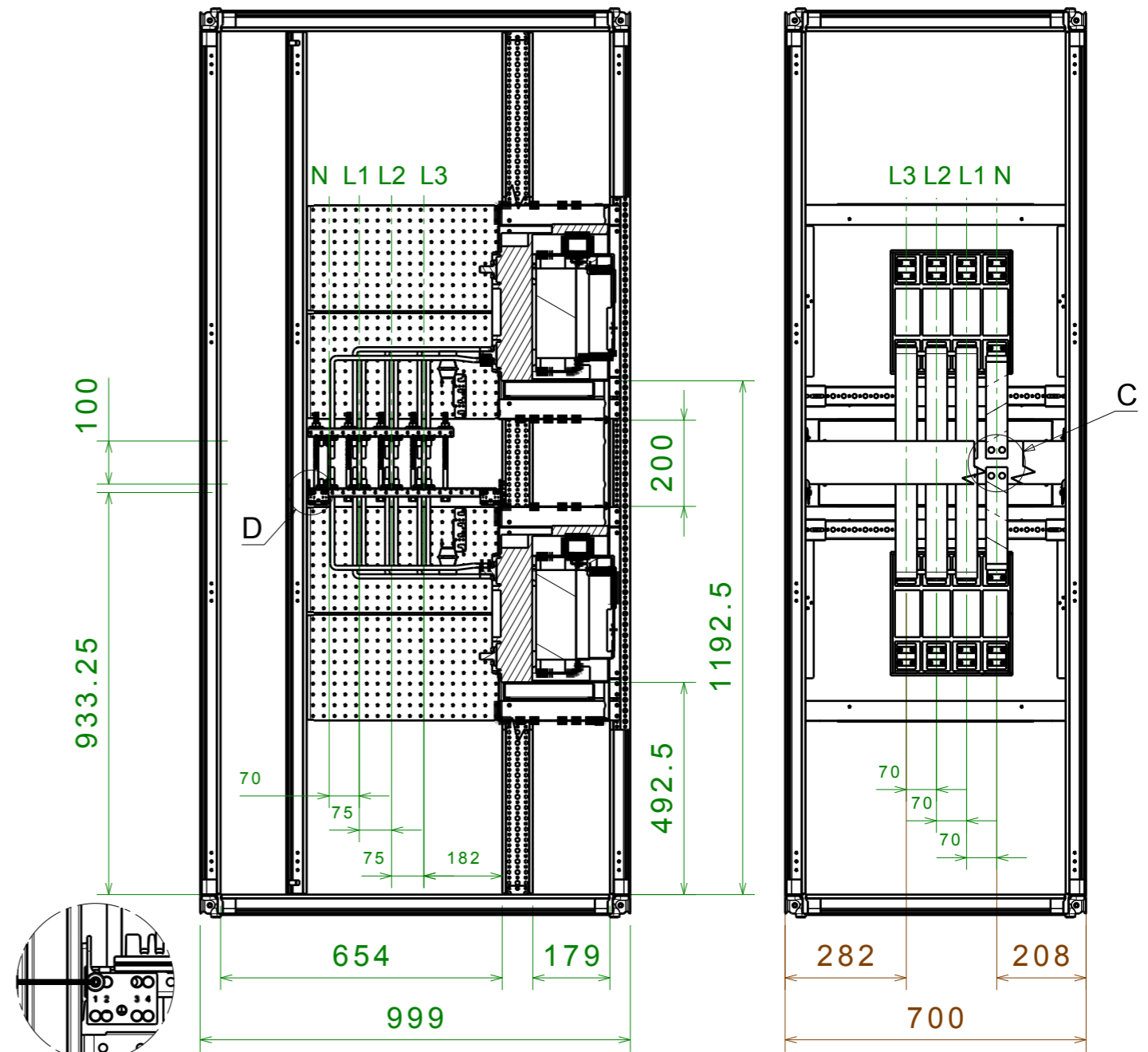
Detail A



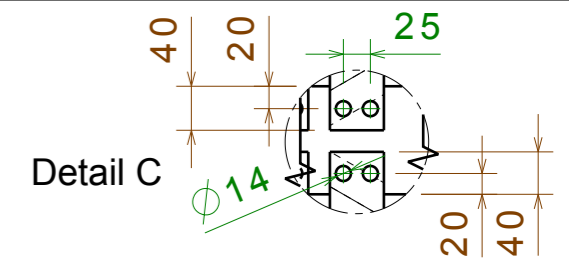
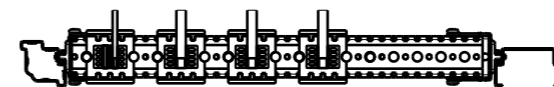
Detail B

CONNECTION BUSBAR 2x50x10xP + 1x50x10xN

ASSEMBLY DRAWING  
E1.2 1000A/1250A/1600A W  
(COUPLER COLUMN)  $I_{cw} \leq 36kA$



Detail D

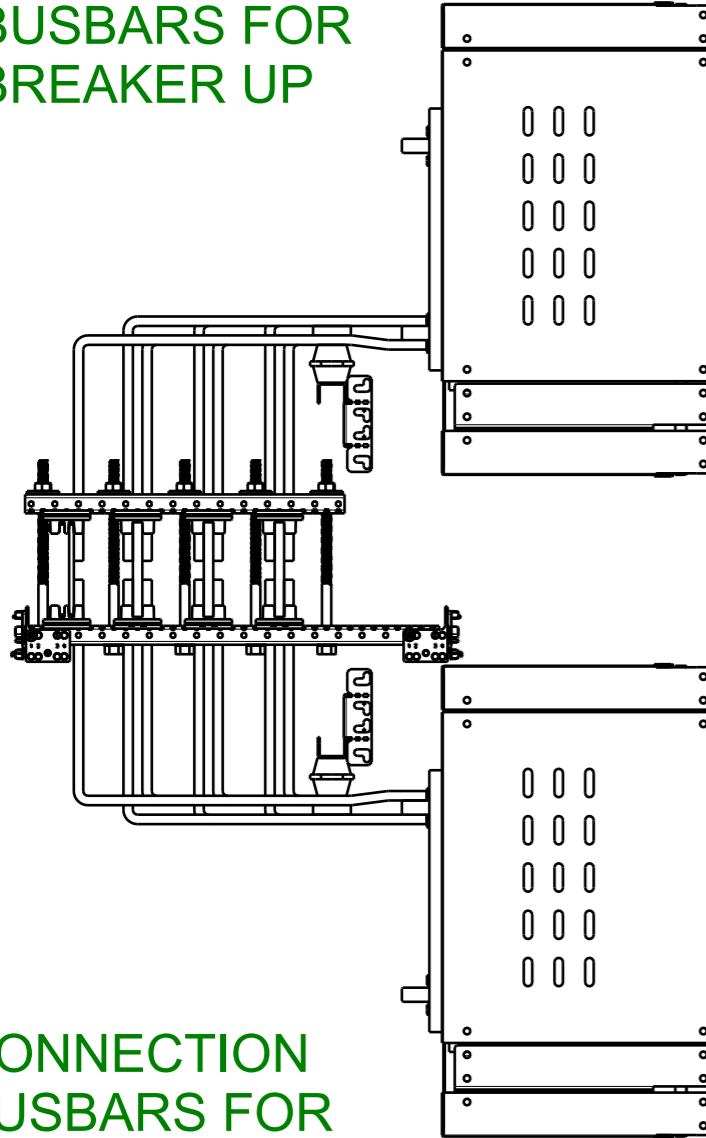


Detail C

AGG. DI SEGNO	SCALA SCALE	: 1:14	N° PROGETTO / PROJECT	XXX.XX
DISEGNATORE DESIGNER	APPROVAZIONE / APPROVAL		<b>ABB</b>	<b>ABB SACE ADB</b>
MODIFICA	DATA DATE	: xx-xx-xx	DENOMINAZIONE/NAME: E1.2 1000A/1250A/1600A W (COUPLER COLUMN) CONNECTION BUSBARS 2x50x10xP + 1x50x10xN	
DATA	Formato A3 Formed		DISEGNO N° /DRAWING N° 8 6 3 8 4 9	

# CONNECTIONS FOR E1.2 WITHDRAWABLE 1000A/1250A/1600A (COUPLER COLUMN) $I_{cw} \leq 36KA$

CONNECTION  
BUSBARS FOR  
BREAKER UP

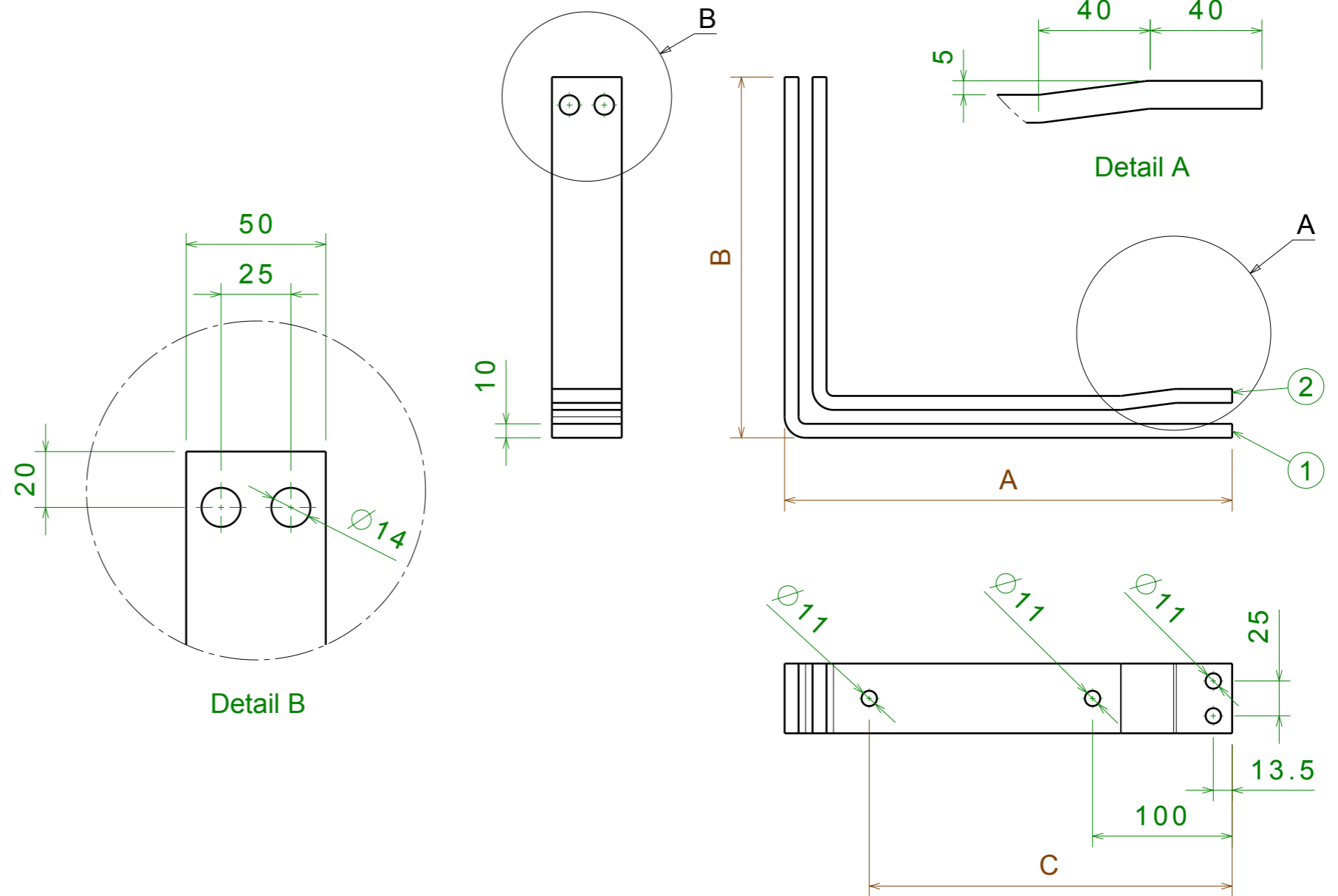


CONNECTION  
BUSBARS FOR  
BREAKER DOWN

	B	
	H MAIN BUSBARS	
	80	100
L3.1	278.5	258.5
L3.2	258.5	238.5
L2.1	278.5	258.5
L2.2	258.5	238.5
L1.1	278.5	258.5
L1.2	258.5	238.5
N.1	-	-
N.2	258.5	238.5

	B	
	H MAIN BUSBARS	
	80	100
L3.1	258.5	258.5
L3.2	238.5	238.5
L2.1	258.5	258.5
L2.2	238.5	238.5
L1.1	258.5	258.5
L1.2	238.5	238.5
N.1	-	-
N.2	238.5	238.5

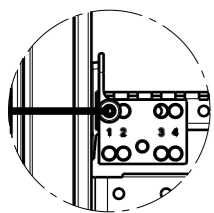
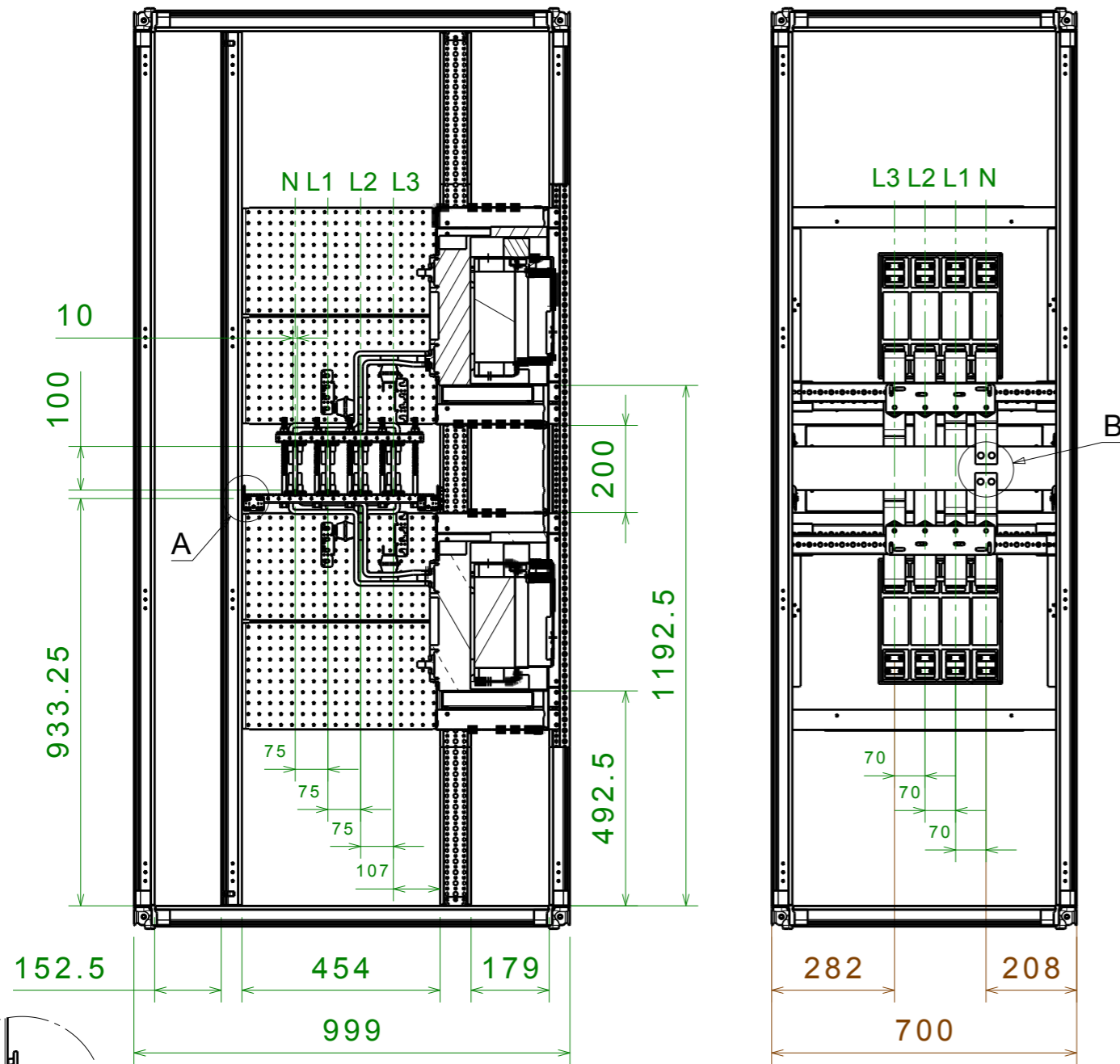
SPEP P = 700mm  
 BUSBARS HOLDER PBHB1125 (50mm)  
 MAIN BUSBAR WITH N 50% IP30 / IP31 : 1600A (1x80x10)  
 MAIN BUSBAR WITH N 50% IP40 / IP41 / IP65 : 1600A (1x100x10)



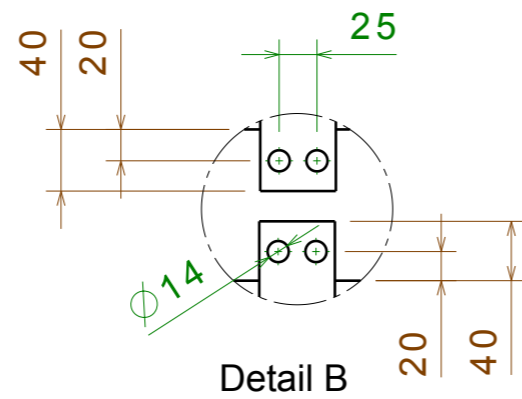
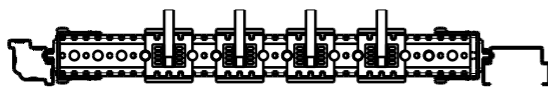
PHASE	POS		A	C
L3	1	L3.1	170.6	-
	2	L3.2	150.6	-
L2	1	L2.1	245.6	-
	2	L2.2	225.6	-
L1	1	L1.1	320.6	260
	2	L1.2	300.6	260
N	1	N.1	-	-
	2	N.2	373.1	260

DATA	MODIFICA	AGG. DI SEGNO	PROGETTO / PROJECT	DISEGNO N° / DRAWING N°
		SCALA SCALE : 1:4	N° PROGETTO / PROJECT : XXX.XX	8 6 3 8 5 0
		DISEGNATORE / DESIGNER :		
		APPROVAZIONE / APPROVAL :	<b>ABB</b> <b>ABB SACE ADB</b>	
		DATA DATE : xx-xx-xx	DENOMINAZIONE/NAME : E1.2 1000A/1250A/1600A W (COUPLER COLUMN) CONNECTION BUSBARS 2x50x10xP + 1x50x10xN	
		Formato A3 Formed		

ASSEMBLY DRAWING  
E1.2 1000A/1250A/1600A W  
(COUPLER COLUMN)  $I_{cw} > 36kA$



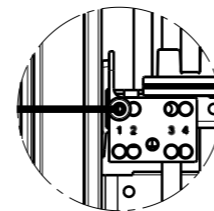
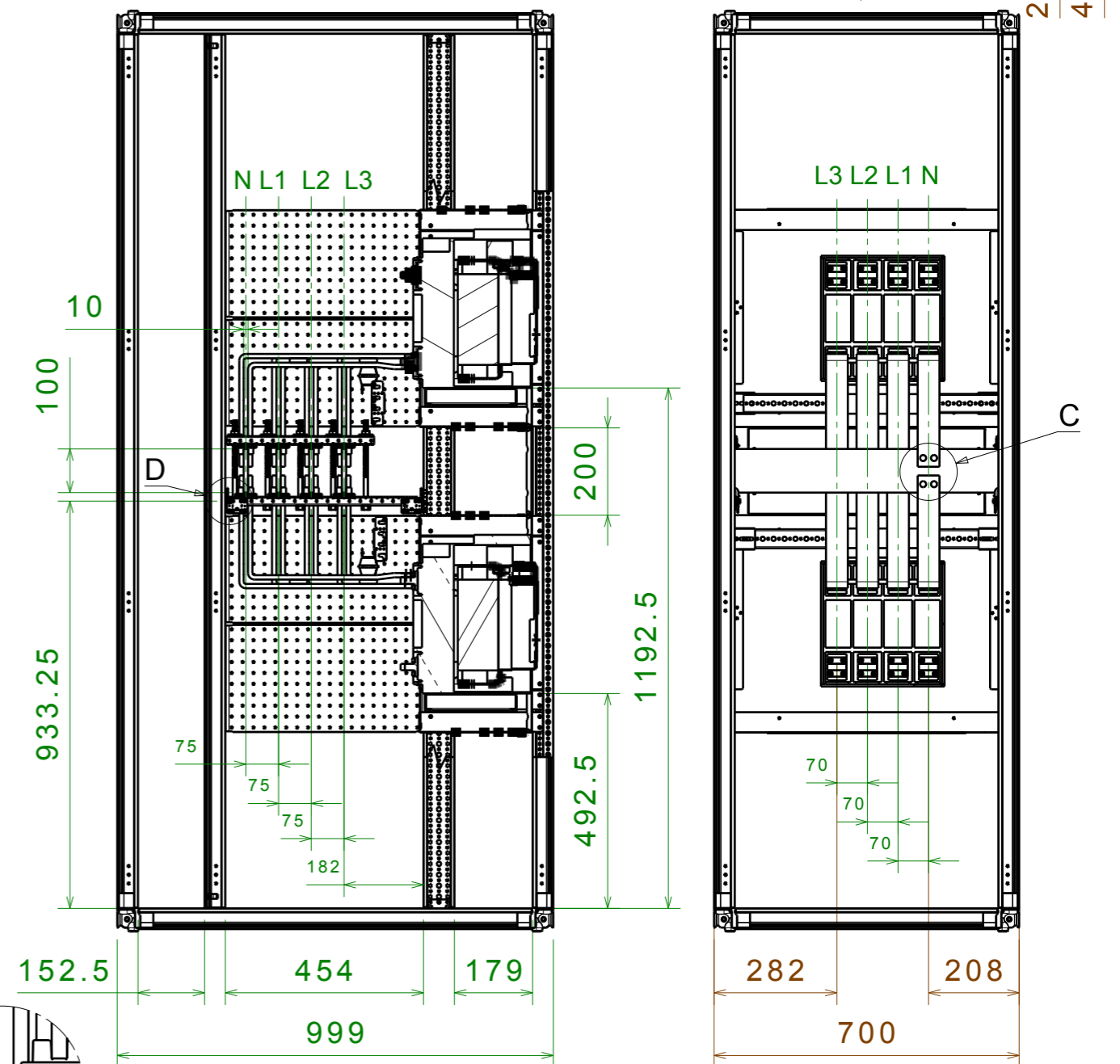
Detail A



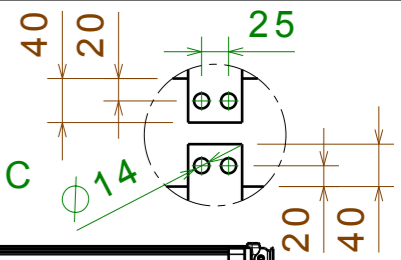
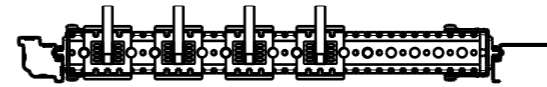
Detail B

CONNECTION BUSBAR 2x50x10xP

ASSEMBLY DRAWING  
E1.2 1000A/1250A/1600A W  
(COUPLER COLUMN)  $I_{cw} \leq 36kA$  Detail C



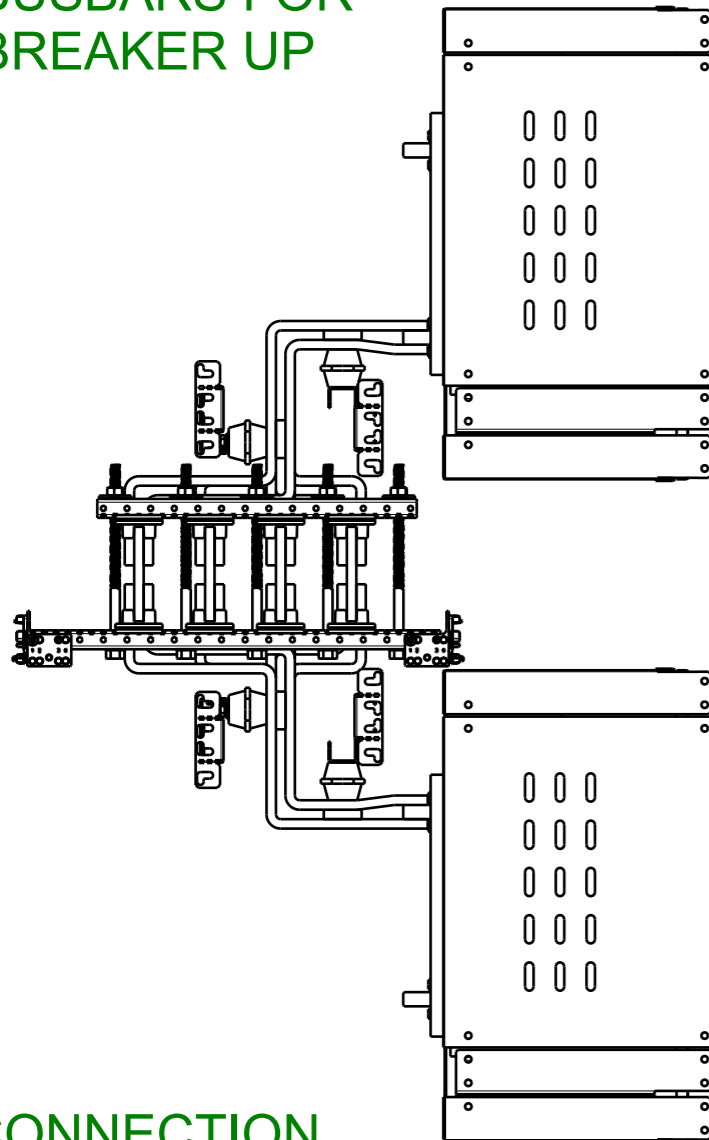
Detail D



AGG. DI SEGNO	SCALA SCALE	: 1:14	N° PROGETTO / PROJECT	XXX.XX
MODIFICA	DISEGNATORE DESIGNER	:	<b>ABB</b> ABB SACE ADB	
	APPROVAZIONE APPROVAL	:		
DATA	DATA DATE	: xx-xx-xx	DISEGNO N° /DRAWING N°	
	FORMATO FORMED	A3 Formed	E1.2 1000A/1250A/1600A W CONNECTION BUSBARS 2x50x10xP (COUPLER COLUMN)	
			8 6 3 8 3 9	

# CONNECTIONS FOR E1.2 WITHDRAWABLE 1000A/1250A/1600A (COUPLER COLUMN) $I_{cw} > 36KA$

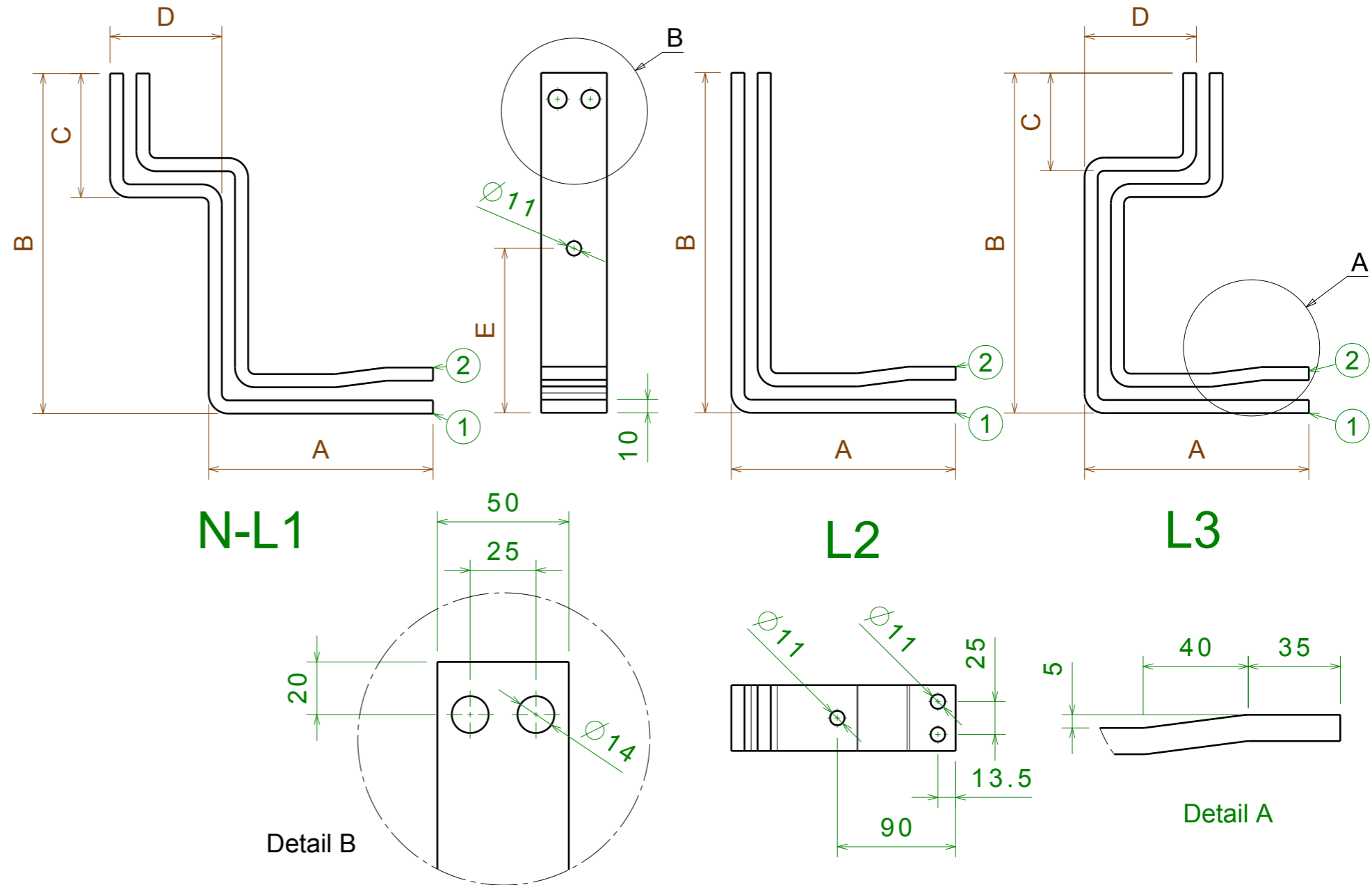
CONNECTION  
BUSBARS FOR  
BREAKER UP



	B	
	H MAIN BUSBARS	
	80	100
L3.1	278.5	258.5
L3.2	258.5	238.5
L2.1	278.5	258.5
L2.2	258.5	238.5
L1.1	278.5	258.5
L1.2	258.5	238.5
N.1	278.5	258.5
N.2	258.5	238.5

	B	
	H MAIN BUSBARS	
	80	100
L3.1	258.5	258.5
L3.2	238.5	238.5
L2.1	258.5	258.5
L2.2	238.5	238.5
L1.1	258.5	258.5
L1.2	238.5	238.5
N.1	258.5	258.5
N.2	238.5	238.5

SPEP P = 700mm  
 BUSBARS HOLDER PBHB1125 (50mm)  
 MAIN BUSBAR IP30 / IP31 : 1600A (1x80x10)  
 MAIN BUSBAR IP40 / IP41 / IP65 : 1600A (1x100x10)



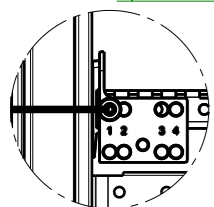
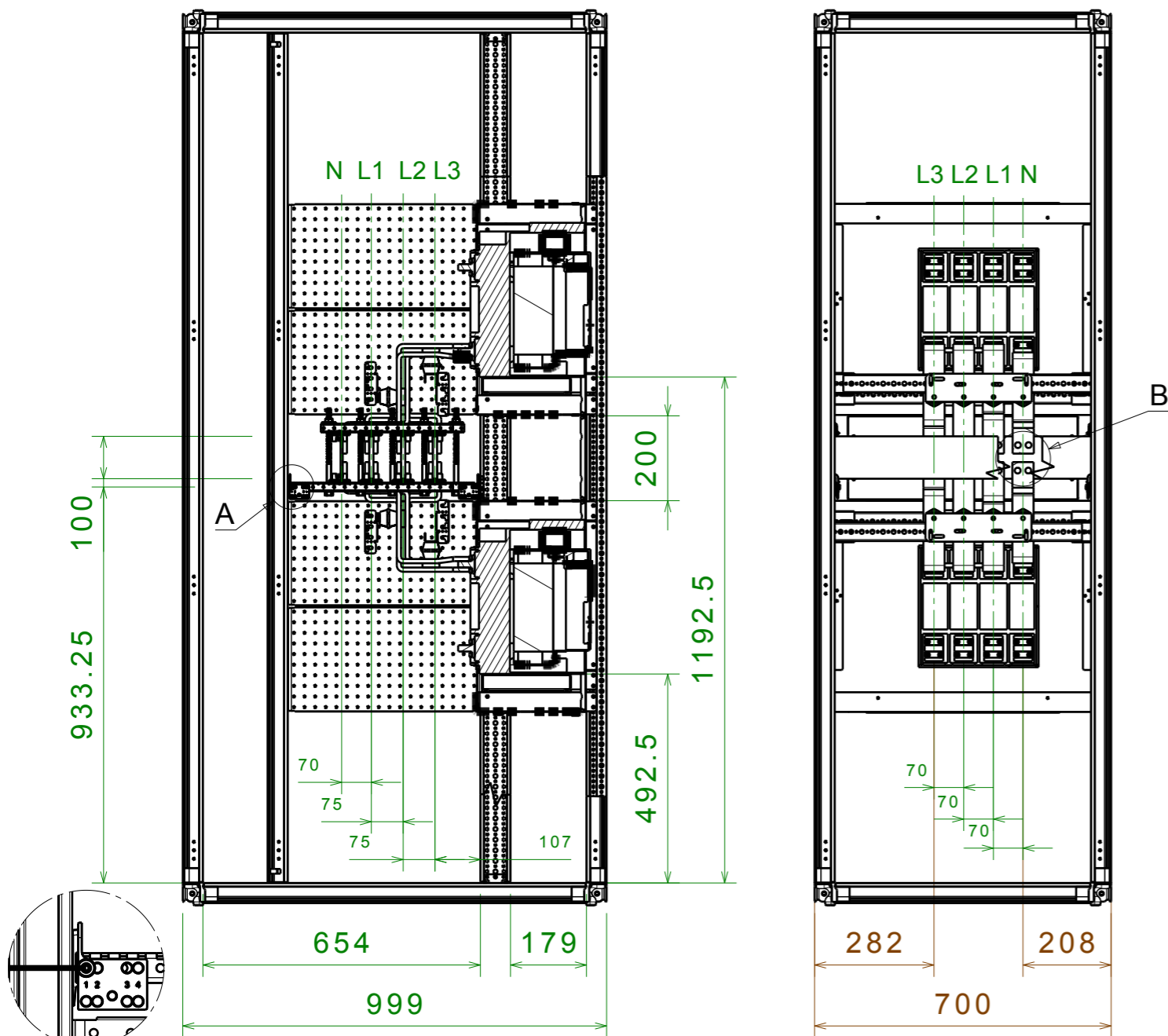
CONNECTION  
BUSBARS FOR  
BREAKER DOWN

PHASE	POS		A	C	D	E
L3	1	L3.1	170.6	74.25	85	125
	2	L3.2	150.6	94.25	85	105
L2	1	L2.1	170.6	-	-	125
	2	L2.2	150.6	-	-	105
L1	1	L1.1	170.6	94.25	85	125
	2	L1.2	150.6	74.25	85	105
N	1	N.1	170.6	94.25	160	125
	2	N.2	150.6	74.25	160	105

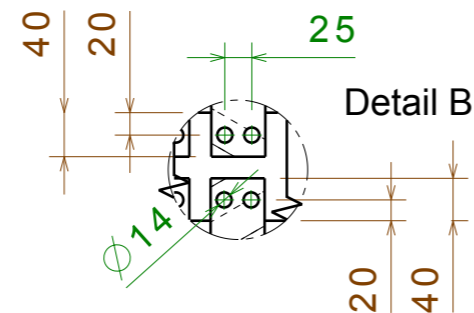
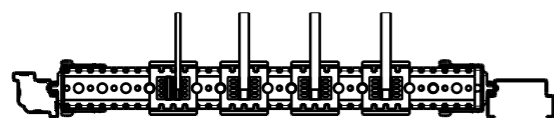
SCALA SCALE	: 1:8	N° PROGETTO / PROJECT	XXX.XX
DISEGNATORE DESIGNER	:	ABB SACE ADB	
APPROVAZIONE APPROVAL	:	DENOMINAZIONE/NAME: E1.2 1000A/1250A/1600A W (COUPLER COLUMN) CONNECTION BUSBARS 2x50x10xP	
DATA DATE	: xx-xx-xx	DISEGNO N° /DRAWING N° 8 6 3 8 4 1	
FORMATO FORMED	Formato A3 Formed	Questo disegno e' di esclusiva proprieta' di ABB SACE ADB. Ne e' vietata la riproduzione e termini di legge	



ASSEMBLY DRAWING  
E1.2 1000A/1250A/1600A W  
(COUPLER COLUMN)  $I_{cw} > 36kA$



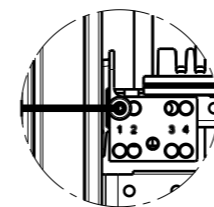
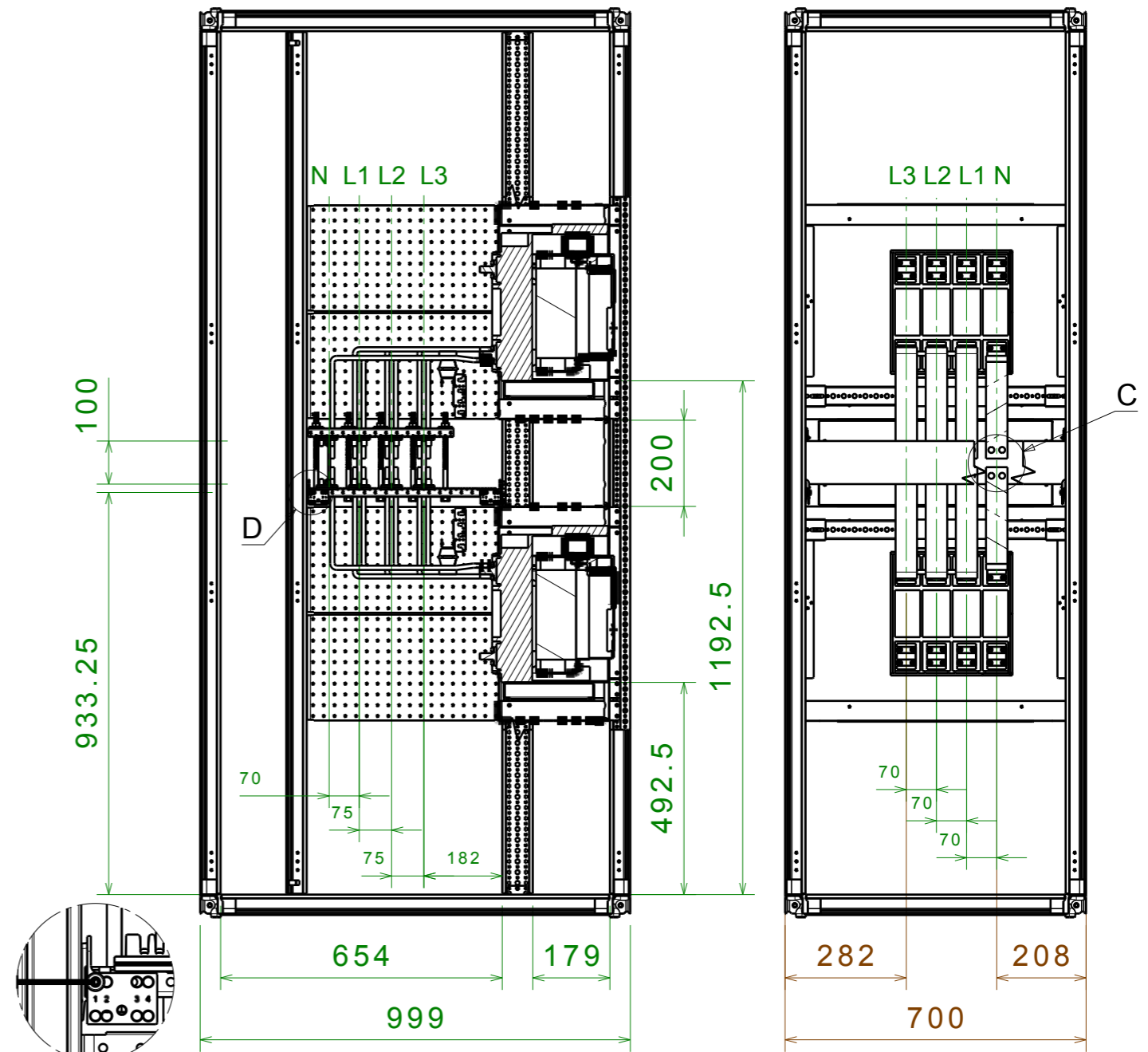
Detail A



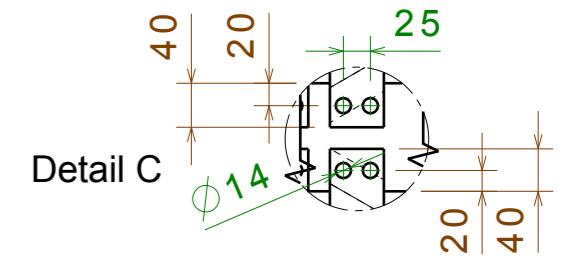
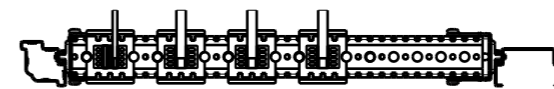
Detail B

CONNECTION BUSBAR 2x50x10xP + 1x50x10xN

ASSEMBLY DRAWING  
E1.2 1000A/1250A/1600A W  
(COUPLER COLUMN)  $I_{cw} \leq 36kA$



Detail D

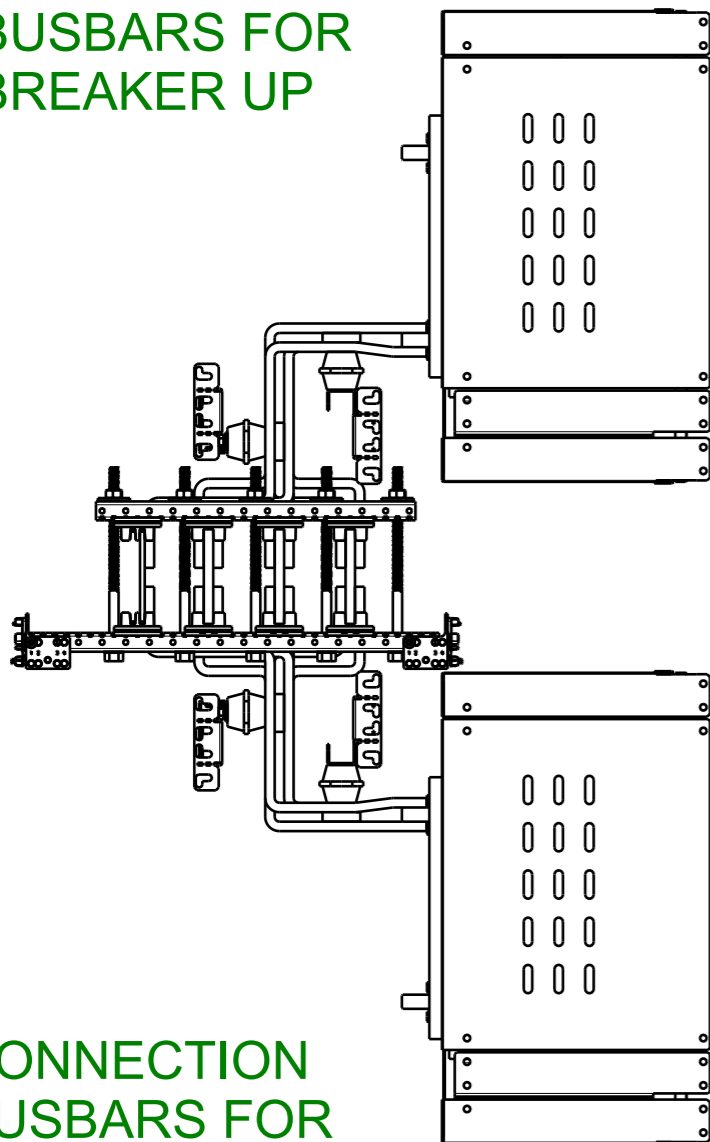


Detail C

AGG. DI SEGNO	SCALA SCALE	: 1:14	N° PROGETTO / PROJECT	XXX.XX
DISSEGNAZIONE DESIGNER	APPROVAZIONE / APPROVAL		<b>ABB</b>	<b>ABB SACE ADB</b>
MODIFICA	DATA DATE	: xx-xx-xx	DENOMINAZIONE/NAME: E1.2 1000A/1250A/1600A W (COUPLER COLUMN) CONNECTION BUSBARS 2x50x10xP + 1x50x10xN	
DATA	Formato A3 Formed		DISEGNO N° /DRAWING N° 8 6 3 8 4 9	

# CONNECTIONS FOR E1.2 WITHDRAWABLE 1000A/1250A/1600A (COUPLER COLUMN) $I_{cw} > 36KA$

CONNECTION  
BUSBARS FOR  
BREAKER UP



CONNECTION  
BUSBARS FOR  
BREAKER DOWN

	B	
	H MAIN BUSBARS	
	80	100
L3.1	278.5	258.5
L3.2	258.5	238.5
L2.1	278.5	258.5
L2.2	258.5	238.5
L1.1	278.5	258.5
L1.2	258.5	238.5
N.1	-	-
N.2	258.5	238.5

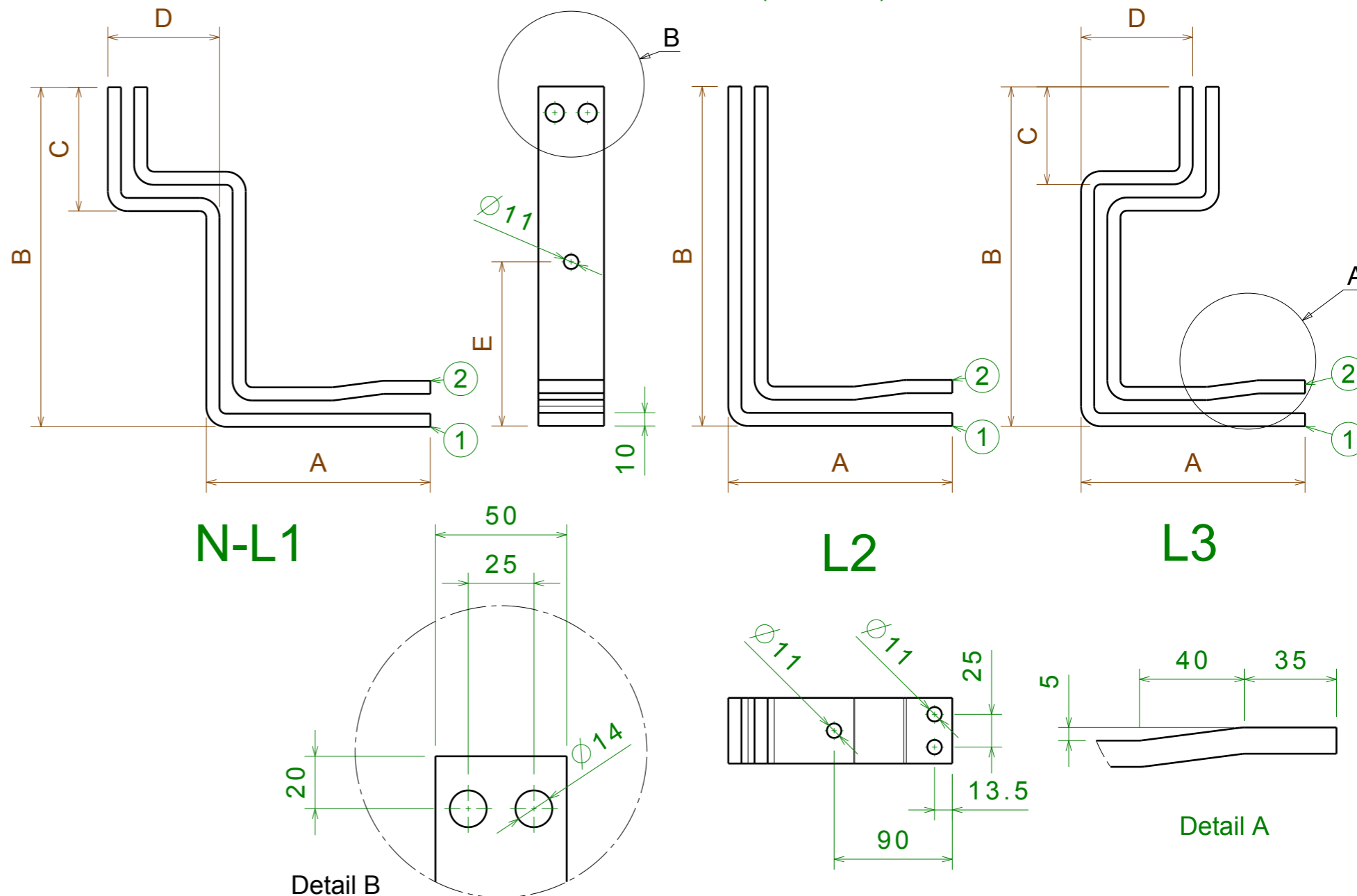
	B	
	H MAIN BUSBARS	
	80	100
L3.1	258.5	258.5
L3.2	238.5	238.5
L2.1	258.5	258.5
L2.2	238.5	238.5
L1.1	258.5	258.5
L1.2	238.5	238.5
N.1	-	-
N.2	238.5	238.5

SPEP P = 700mm

BUSBARS HOLDER PBHB1125 (50mm)

MAIN BUSBAR WITH N 50% IP30 / IP31 : 1600A (1x80x10)

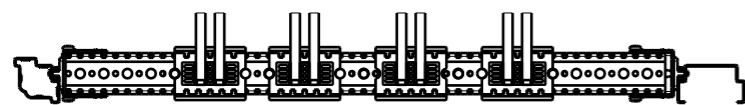
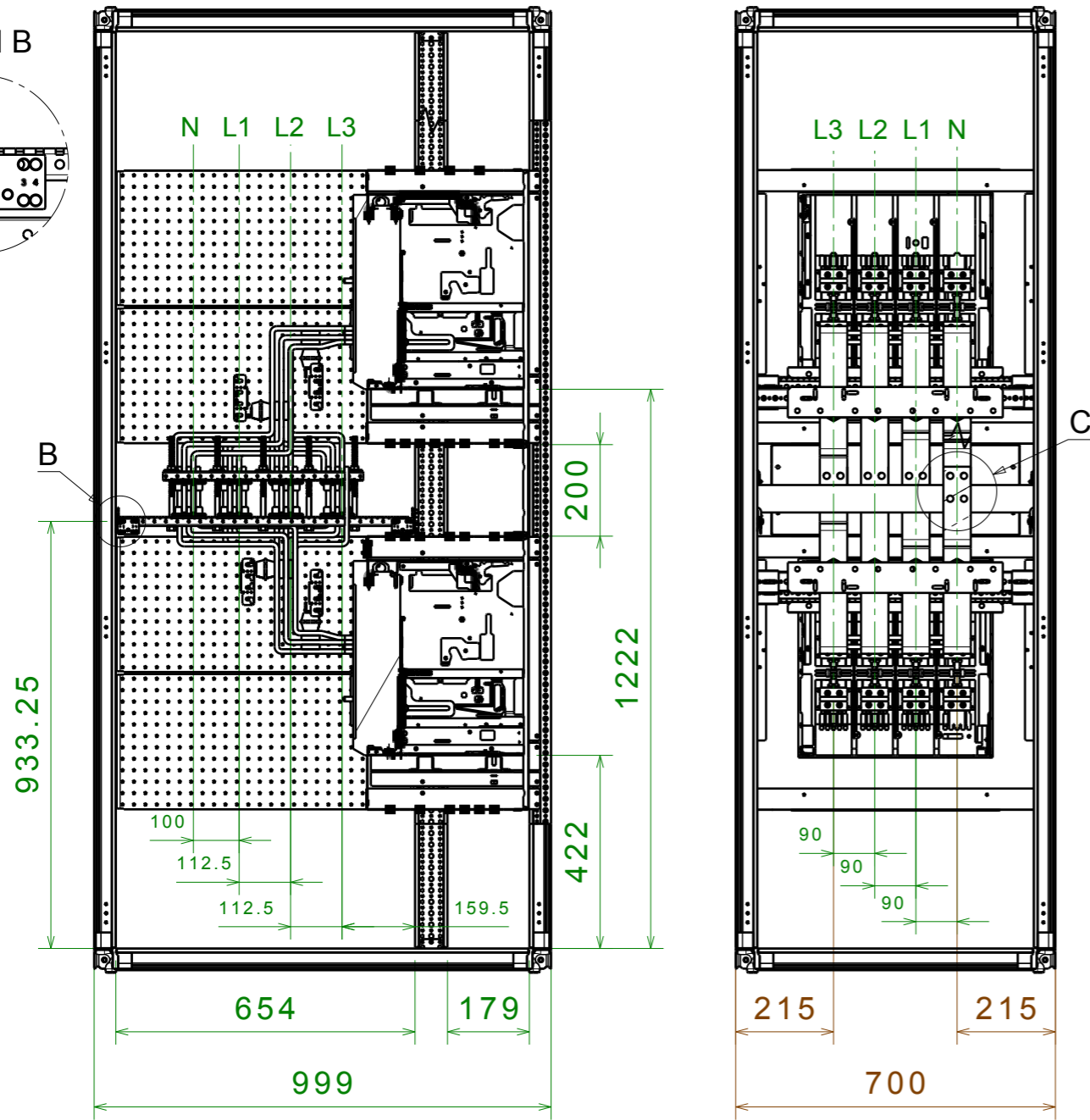
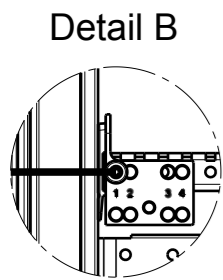
MAIN BUSBAR WITH N 50% IP40 / IP41 / IP65 : 1600A (1x100x10)



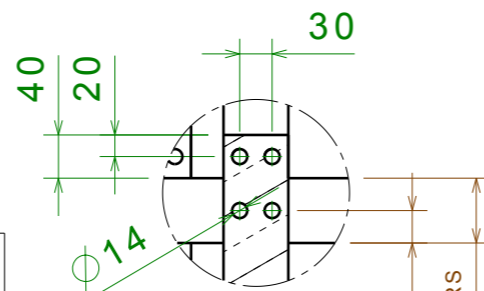
PHASE	POS		A	C	D	E
L3	1	L3.1	170.6	74.25	85	125
	2	L3.2	150.6	94.25	85	105
L2	1	L2.1	170.6	-	-	125
	2	L2.2	150.6	-	-	105
L1	1	L1.1	170.6	94.25	85	125
	2	L1.2	150.6	74.25	85	105
N	1	N.1	-	-	-	-
	2	N.2	170.6	74.25	137.5	105

SCALA SCALE	: 1:8	N° PROGETTO PROJECT	XXX.XX
DISEGNATORE DESIGNER	:	ABB SACE ADB	
APPROVAZIONE APPROVAL	:	DISEGNO N° / DRAWING N°	
DATA DATE	: xx-xx-xx	E1.2 1000A/1250A/1600A W (COUPLER COLUMN) CONNECTION BUSBARS 2x50x10xP + 1x50x10xN	
FORMATO FORMED	Formato A3 Formed	8 6 3 8 5 1	

ASSEMBLY DRAWING  
E2.2 2000A W  
(COUPLER COLUMN)  $I_{cw} > 36KA$



H MAIN BUSBARS		
	50	60
X	25	30

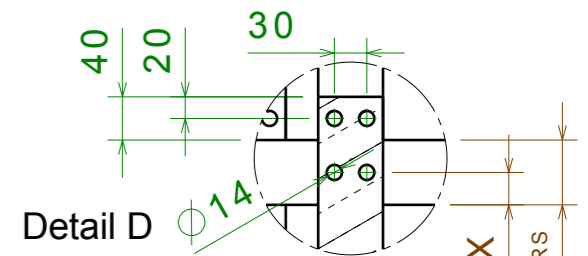
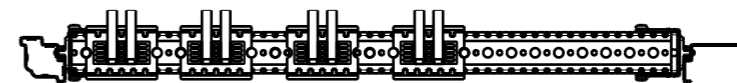
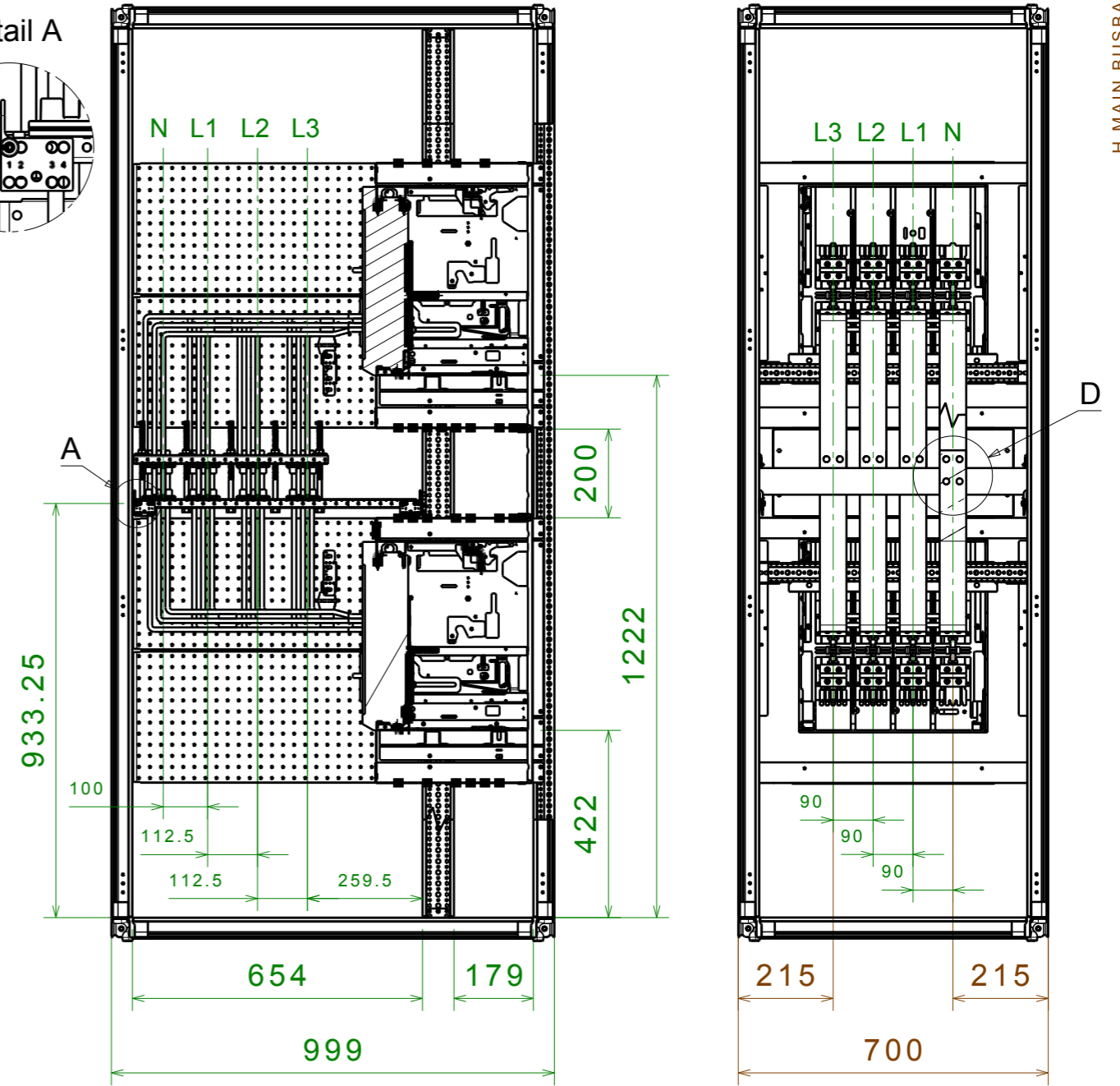
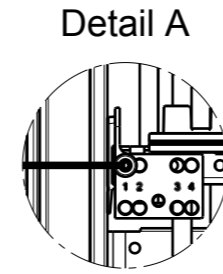


Detail C

H MAIN BUSBARS

CONNECTION BUSBARS 3x60x10xP

ASSEMBLY DRAWING  
E2.2 2000A W  
(COUPLER COLUMN)  $I_{cw} \leq 36KA$



H MAIN BUSBARS

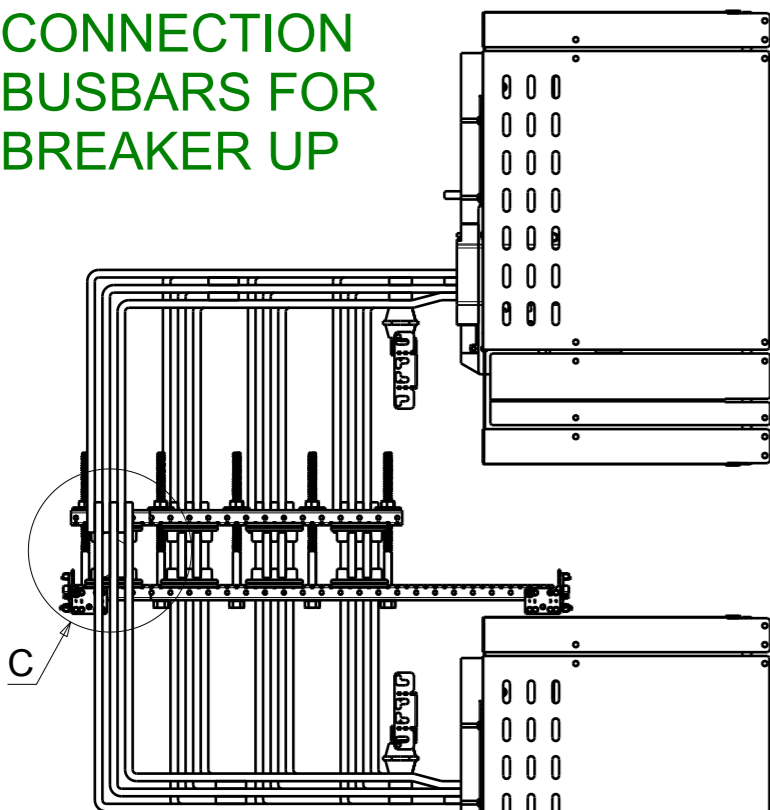
AGG. DI SEGNO	SCALA SCALE : 1:14	N° PROGETTO / PROJECT : XXX.XX
DISEGNATORE / DESIGNER	APPROVAZIONE / APPROVAL	<b>ABB</b> ABB SACE ADB
MODIFICA	DATA DATE : xx-xx-xx	DENOMINAZIONE/NAME : E2.2 2000A W (COUPLER COLUMN) CONNECTION BUSBARS 3x60x10xP
DATA	Formato A3 Formed	DISEGNO N° / DRAWING N° : 8 6 3 8 5 2

PHASE	POS		A	B	C	P
L3	1	L3.1	179.25	347.25	-	-
	2	L3.2	159.25	327.25	-	-
	2	L3.3	139.25	317.25	-	-
L2	1	L2.1	291.75	347.25	-	-
	2	L2.2	271.75	327.25	-	-
	3	L2.3	251.75	317.25	-	-
L1	1	L1.1	404.25	347.25	324	-
	2	L1.2	384.25	327.25	324	-
	3	L1.3	364.25	317.25	324	-
N	1	N.1	500.25	347.25	324	-
	2	N.2	484.25	327.25	324	-
	3	N.3	464.25	317.25	324	-

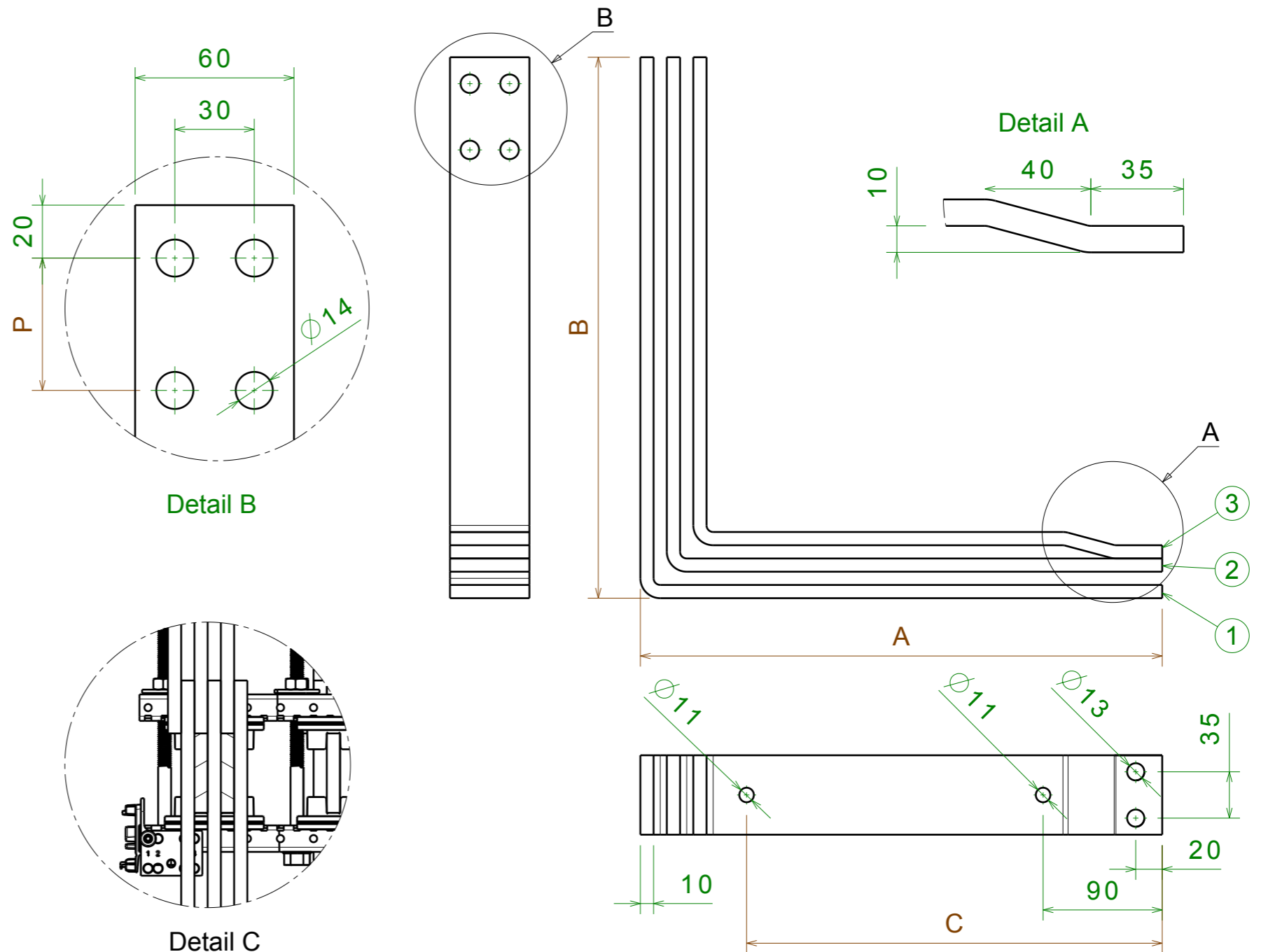
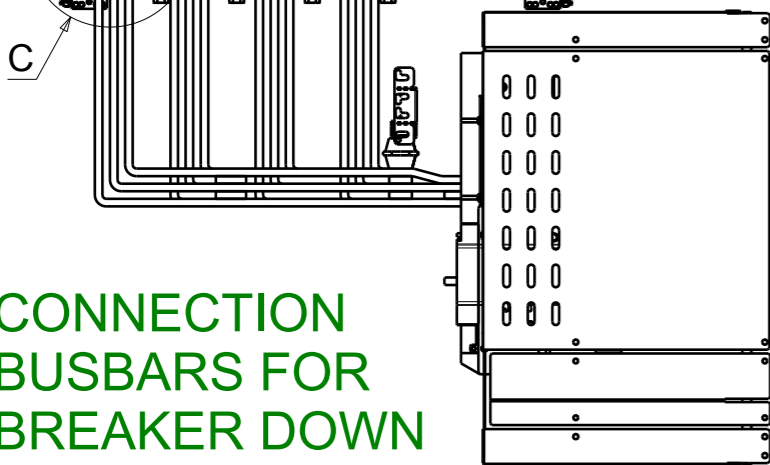
# CONNECTIONS FOR E2.2 WITHDRAWABLE 2000A (COUPLER COLUMN) $I_{cw} \leq 36KA$

SPEP P=900mm  
 BUSBARS HOLDER PBHB2145 (75mm)  
 MAIN BUSBARS IP30 / IP31 : 2000A (2x50x10);  
 MAIN BUSBARS IP40 / IP41 / IP65 : 2000A (2x60x10);

CONNECTION  
BUSBARS FOR  
BREAKER UP



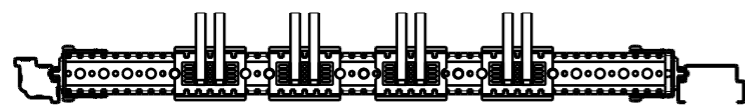
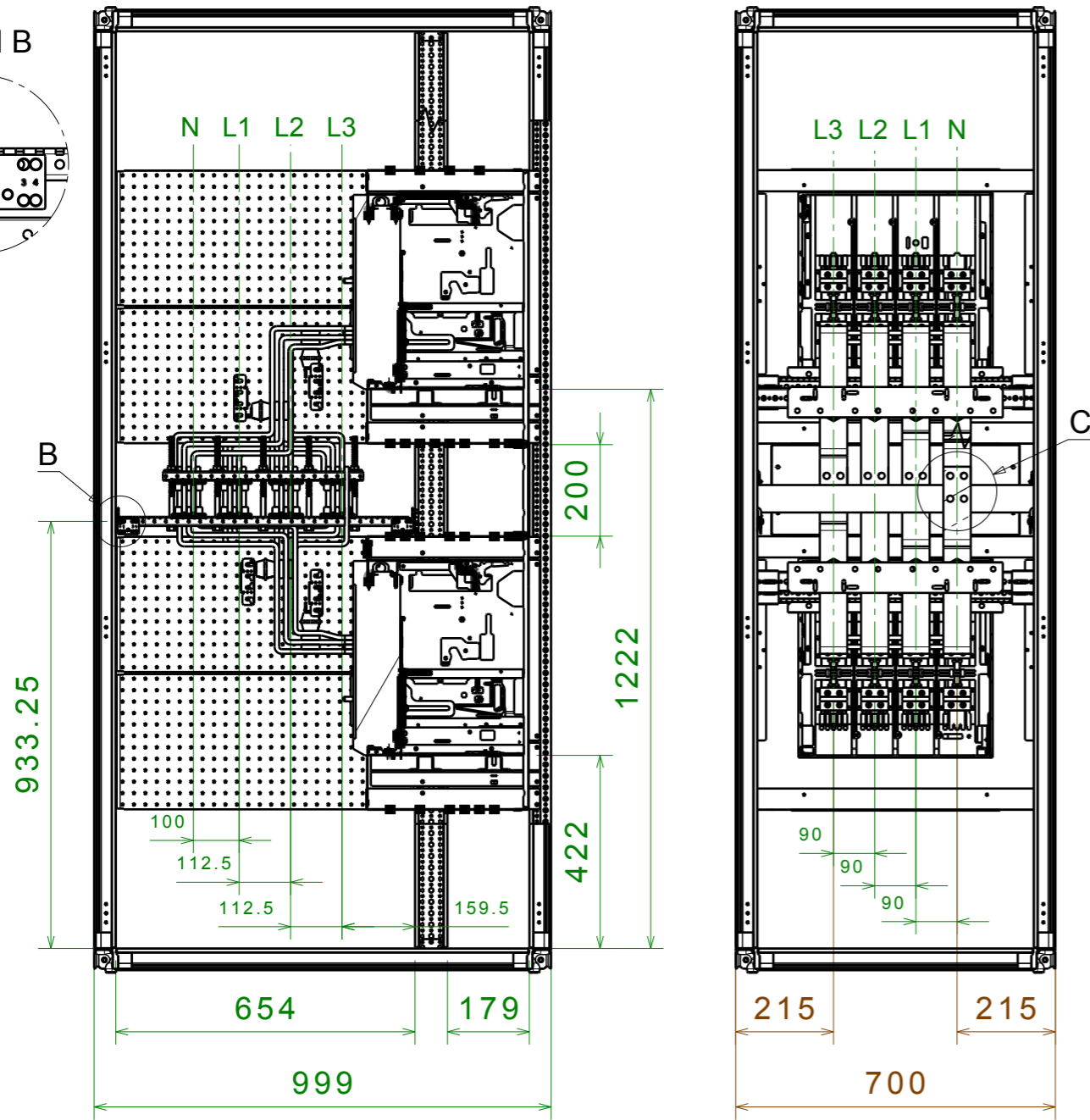
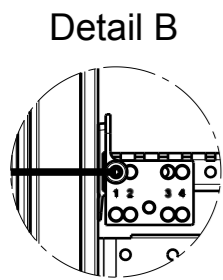
CONNECTION  
BUSBARS FOR  
BREAKER DOWN



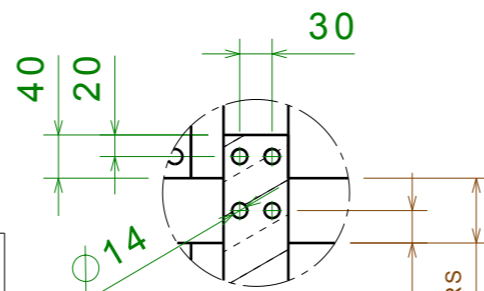
PHASE	POS		A	B	C	P	
						H MAIN BUSBAR	
L3	1	L3.1	169.25	408.75	-	55	50
	2	L3.2	149.25	388.75	-	55	50
	2	L3.3	129.25	378.75	-	55	50
L2	1	L2.1	281.75	408.75	-	55	50
	2	L2.2	261.75	388.75	-	55	50
	3	L2.3	241.75	378.75	-	55	50
L1	1	L1.1	394.25	408.75	314	55	50
	2	L1.2	374.25	388.75	314	55	50
	3	L1.3	354.25	378.75	314	55	50
N	1	N.1	494.25	408.75	314	55	50
	2	N.2	474.25	388.75	314	55	50
	3	N.3	454.25	378.75	314	55	50

SCALA SCALE	: 1:8	N° PROGETTO PROJECT	XXX.XX
DISEGNATORE DESIGNER	:	ABB SACE ADB	
APPROVAZIONE APPROVAL	:	DISEGNO N° / DRAWING N°	
DATA DATE	: xx-xx-xx	8 6 3 8 5 3	
FORMATO FORMED	Formato A3 Formed	E2.2 2000A W (COUPLER COLUMN) CONNECTION BUSBARS 3x60x10xP_L	

ASSEMBLY DRAWING  
E2.2 2000A W  
(COUPLER COLUMN)  $I_{cw} > 36KA$



H MAIN BUSBARS		
	50	60
X	25	30

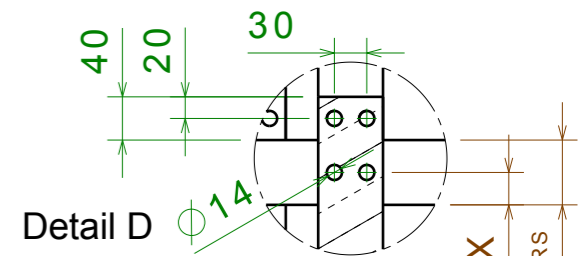
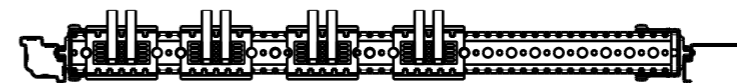
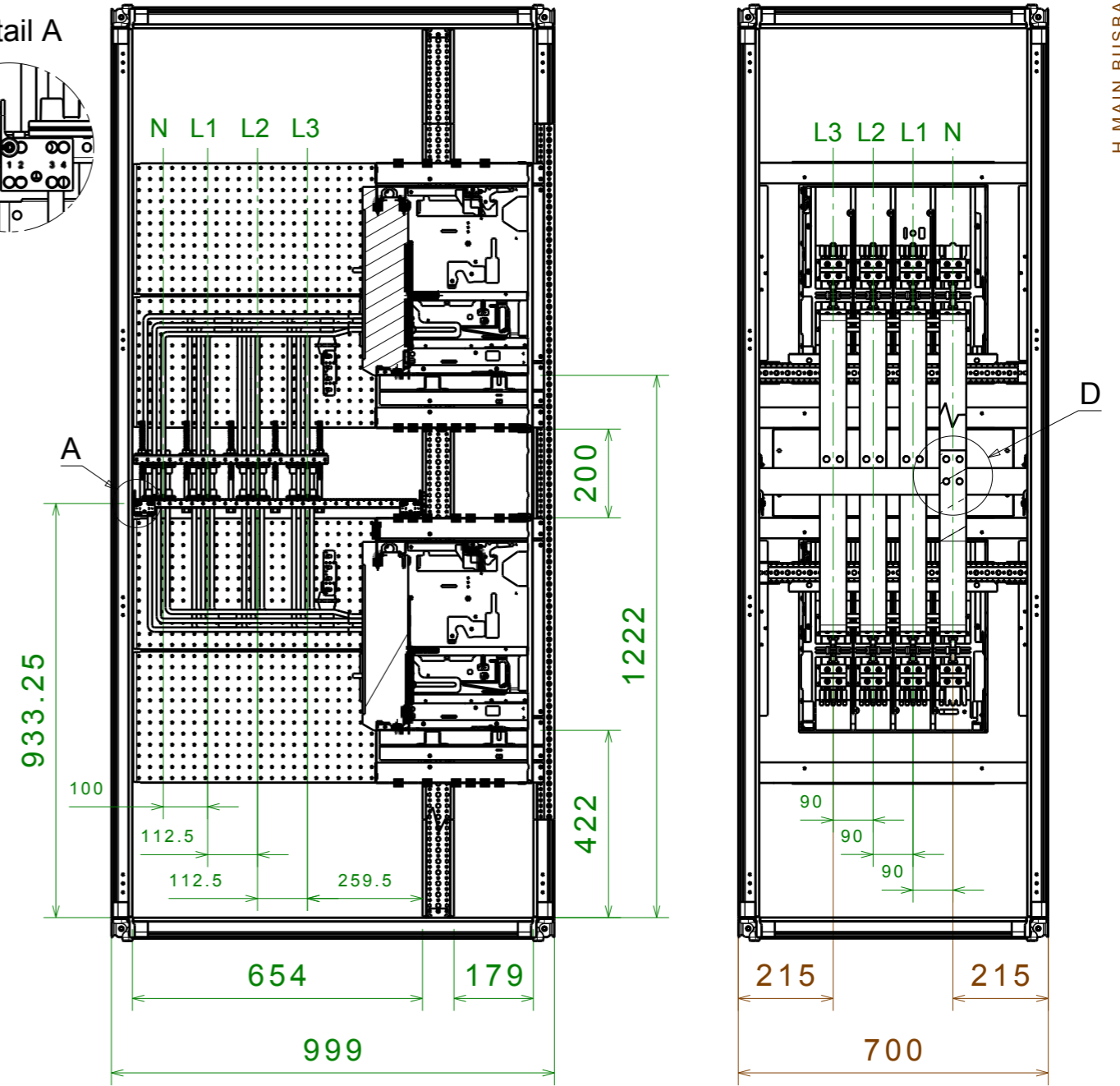
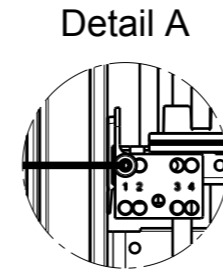


Detail C

H MAIN BUSBARS

CONNECTION BUSBARS 3x60x10xP

ASSEMBLY DRAWING  
E2.2 2000A W  
(COUPLER COLUMN)  $I_{cw} \leq 36KA$



Detail D

H MAIN BUSBARS

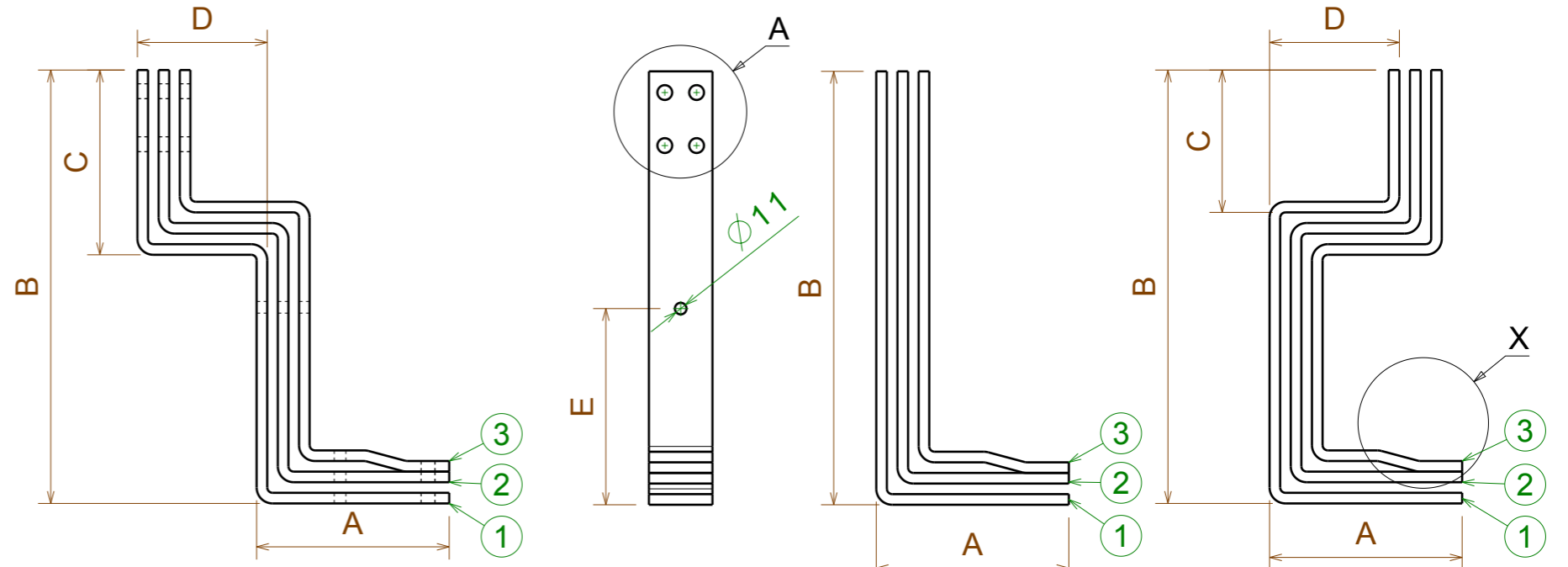
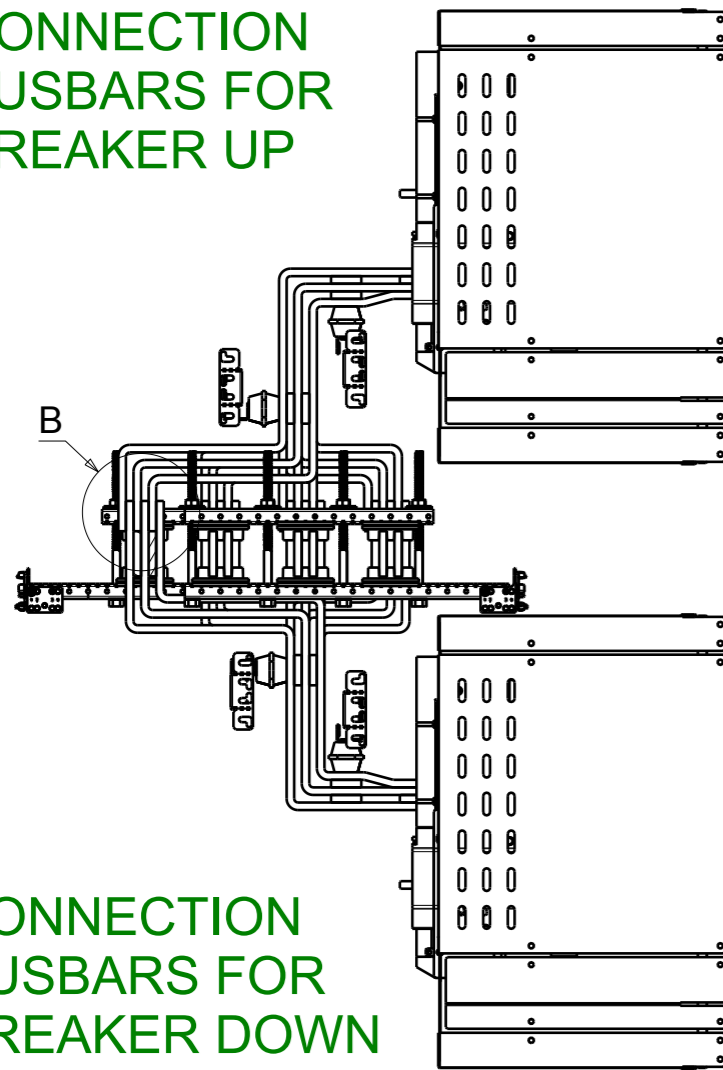
AGG. DI SEGNO	SCALA SCALE : 1:14	N° PROGETTO / PROJECT : XXX.XX
DISEGNATORE / DESIGNER	APPROVAZIONE / APPROVAL	<b>ABB</b> ABB SACE ADB
MODIFICA	DATA DATE : xx-xx-xx	DENOMINAZIONE/NAME : E2.2 2000A W (COUPLER COLUMN) CONNECTION BUSBARS 3x60x10xP
DATA	Formato A3 Formed	DISEGNO N° / DRAWING N° : 8 6 3 8 5 2

PHASE	A	B	C	P
L3	191.75	347.25	74.25	-
	171.75	327.25	94.25	-
	151.75	317.25	114.25	-
L2	191.75	347.25	-	-
	171.75	327.25	-	-
	151.75	317.25	-	-
L1	191.75	347.25	114.25	-
	171.75	327.25	94.25	-
	151.75	317.25	74.25	-
N	191.75	347.25	114.25	-
	171.75	327.25	94.25	-
	151.75	317.25	74.25	-

# CONNECTIONS FOR E2.2 WITHDRAWABLE 2000A (COUPLER COLUMN) $I_{cw} > 36KA$

SPEP P=900mm  
 BUSBARS HOLDER PBHB2145 (75mm)  
 MAIN BUSBARS IP30 / IP31 : 2000A (2x50x10);  
 MAIN BUSBARS IP40 / IP41 / IP65 : 2000A (2x60x10);

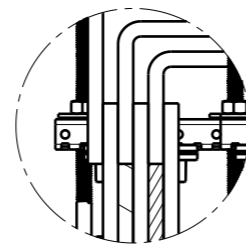
CONNECTION  
BUSBARS FOR  
BREAKER UP



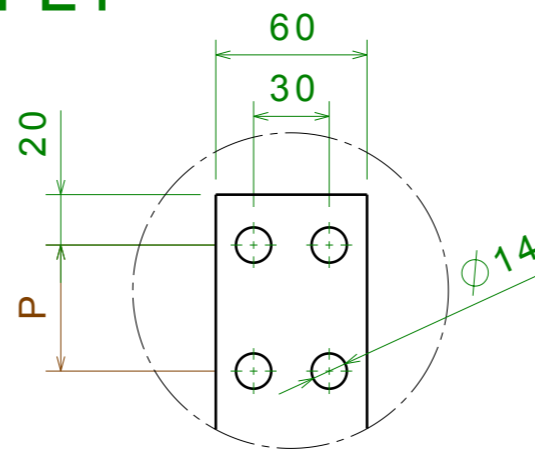
N-L1

L2

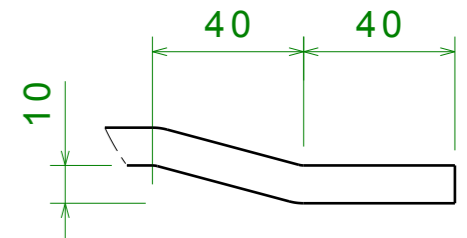
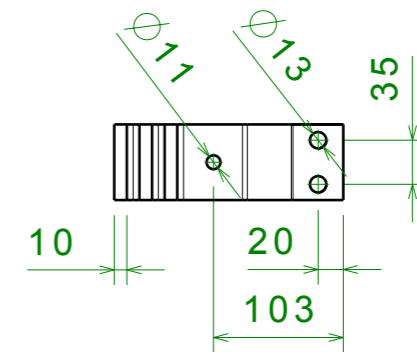
L3



Detail B



Detail A



Detail X  
Scale: 1:2

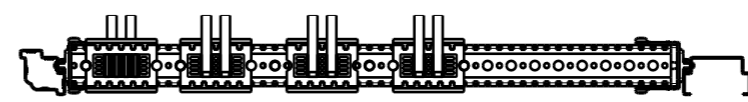
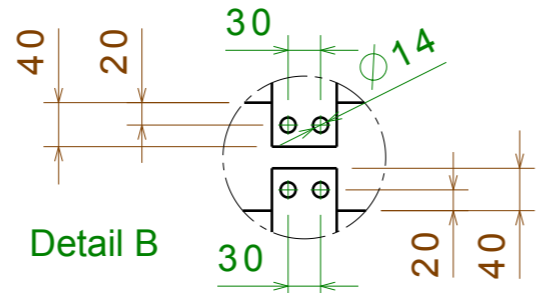
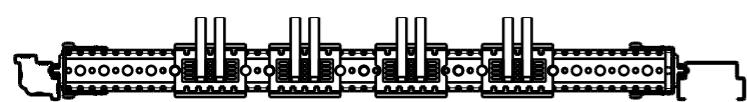
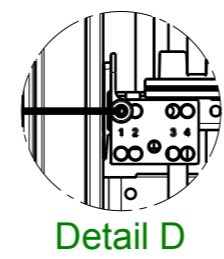
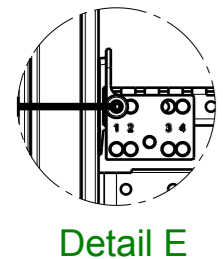
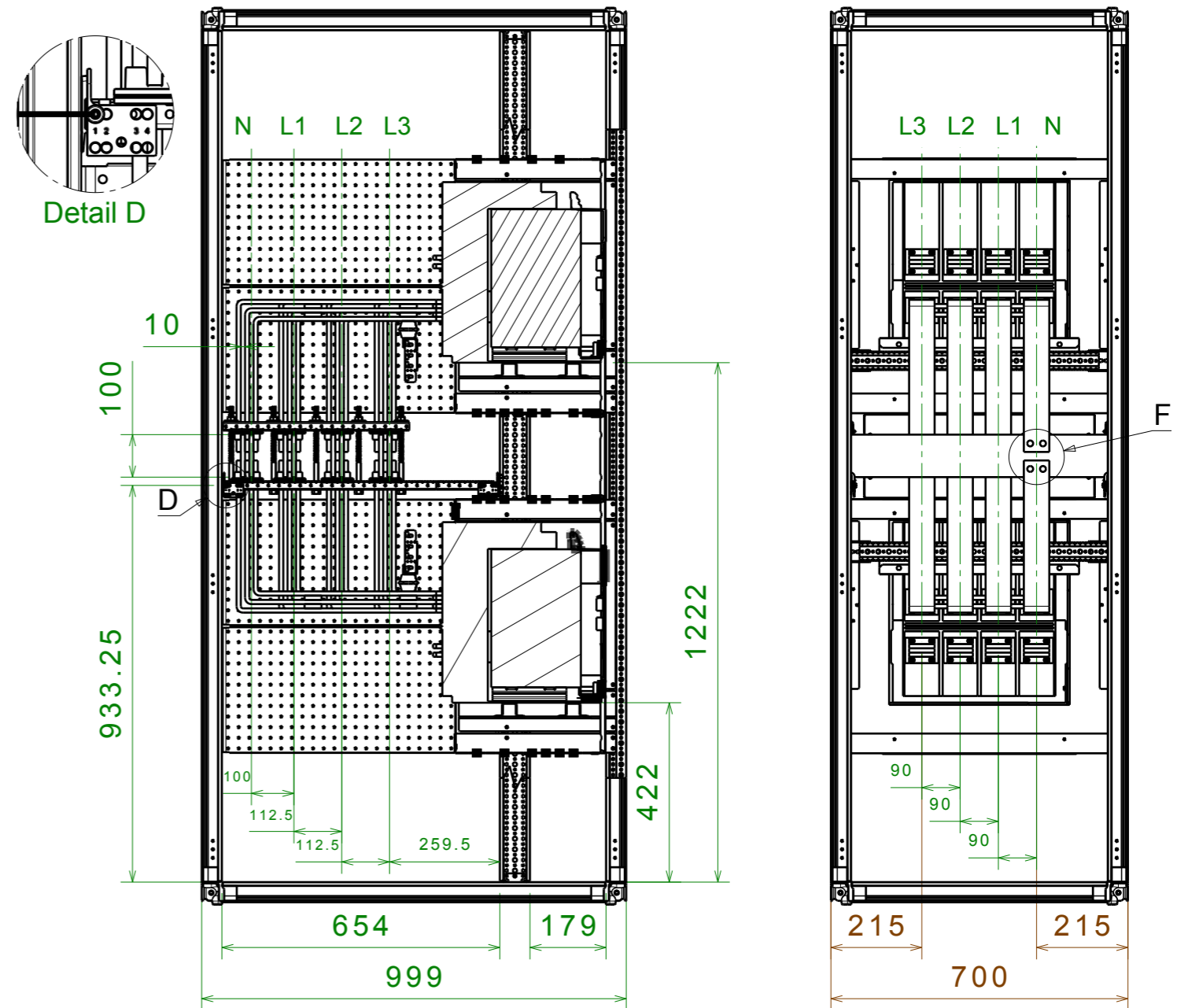
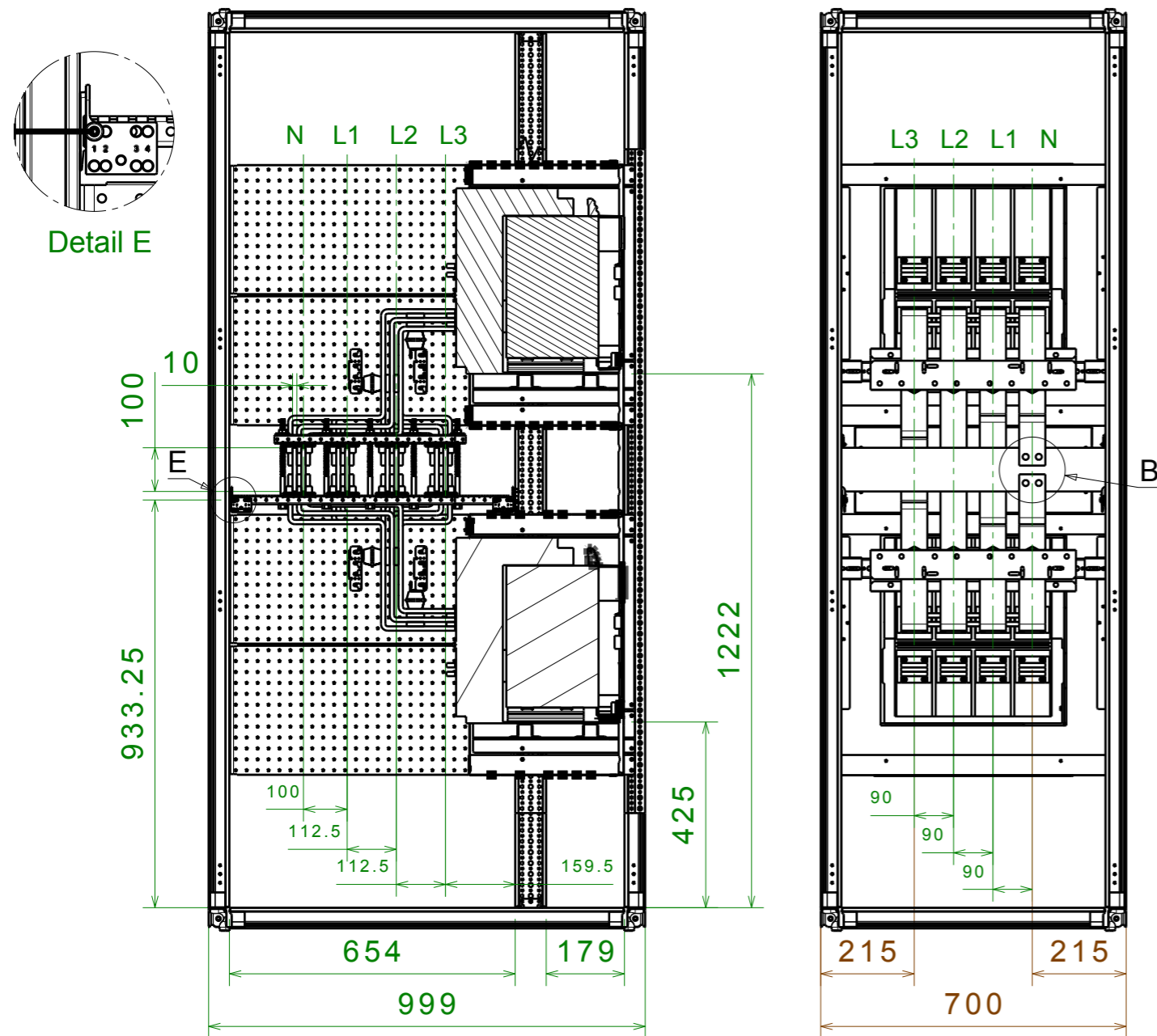
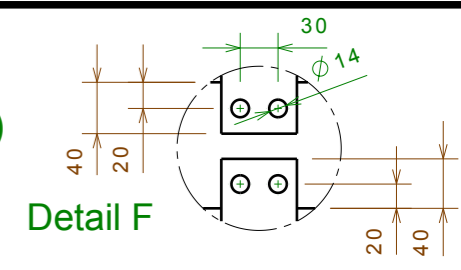
PHASE	A	B	C	P	
				H MAIN BUSBAR	
L3	181.75	408.75	134.25	55	50
	161.75	388.75	154.25	55	50
	141.75	378.75	174.25	55	50
L2	181.75	408.75	-	55	50
	161.75	388.75	-	55	50
	141.75	378.75	-	55	50
L1	181.75	408.75	174.25	55	50
	161.75	388.75	154.25	55	50
	141.75	378.75	134.25	55	50
N	181.75	408.75	174.25	55	50
	161.75	388.75	154.25	55	50
	141.75	378.75	134.25	55	50

PHASE	POS	D	E
L3	1	L3.1	122.5
	2	L3.2	122.5
	3	L3.3	122.5
L2	1	L2.1	-
	2	L2.2	-
	3	L2.3	-
L1	1	L1.1	122.5
	2	L1.2	122.5
	3	L1.3	122.5
N	1	N.1	222.5
	2	N.2	222.5
	3	N.3	222.5

AGG. DI SEGNO	SCALA SCALE : 1:6	TRATT.:	
DESIGNER	DISEGNATORE DESIGNER :	N° PROGETTO PROJECT	XXX.XX
APPROVAZIONE APPROVAL	APPROVAZIONE APPROVAL :	<b>ABB ABB SACE ABB</b>	
DATA DATE : xx-xx-xx	FORMATO Formato A3 Formed	DISEGNO N° /DRAWING N°	
		E2.2 2000A W (COUPLER COLUMN) CONNECTION BUSBARS 3x60x10xP	
		8 6 3 8 5 4	

ASSEMBLY DRAWING  
E2.2 2500A W (COUPLER COLUMN)  
I<sub>cw</sub> > 36KA

ASSEMBLY DRAWING  
E2.2 2500A W (COUPLER COLUMN)  
I<sub>cw</sub> ≤ 36KA



CONNECTION BUSBARS 3x60x10xP

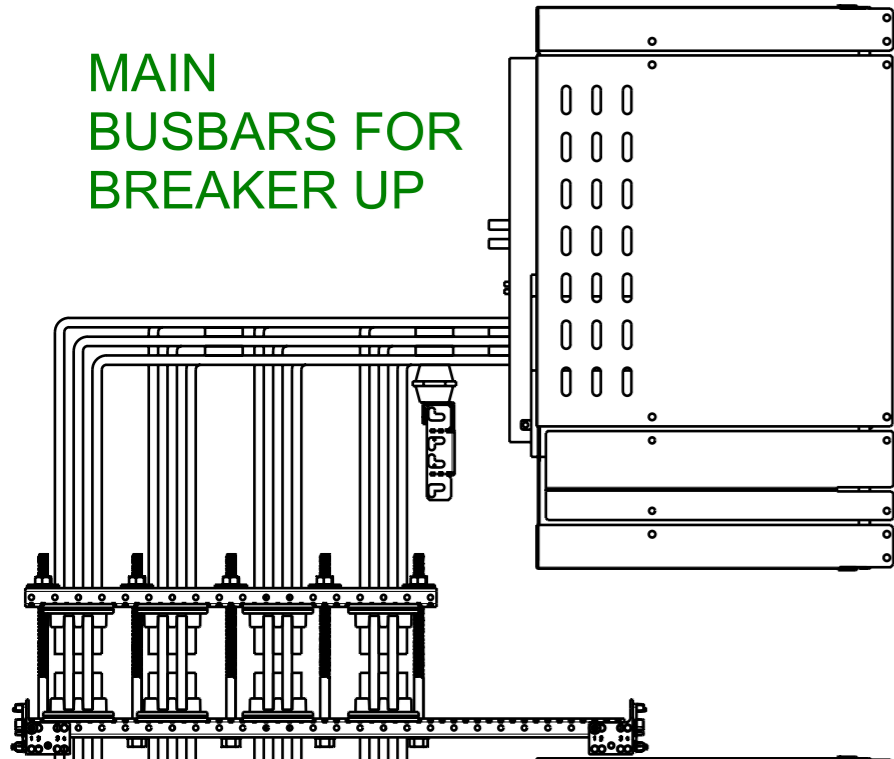
AGG. DI SEGNO	SCALA SCALE	: 1:14	N° PROGETTO / PROJECT	XXX.XX
DISEGNATORE DESIGNER	APPROVAZIONE / APPROVAL		<b>ABB SACE ADB</b>	
MODIFICA	DATA DATE	: xx-xx-xx	DENOMINAZIONE/NAME: E2.2 2500A W (COUPLER COLUMN) CONNECTION BUSBARS 3x60x10xP	
DATA	Formato A3 Formed		DISEGNO N° /DRAWING N° <b>8 6 3 8 3 6</b>	

Questo disegno e' di esclusiva proprieta' di ABB SACE ADB. Ne e' vietata la riproduzione e termini di legge

# CONNECTIONS FOR E2.2 2500A WITHDRAWABLE (COUPLER COLUMN) $I_{cw} \leq 36KA$

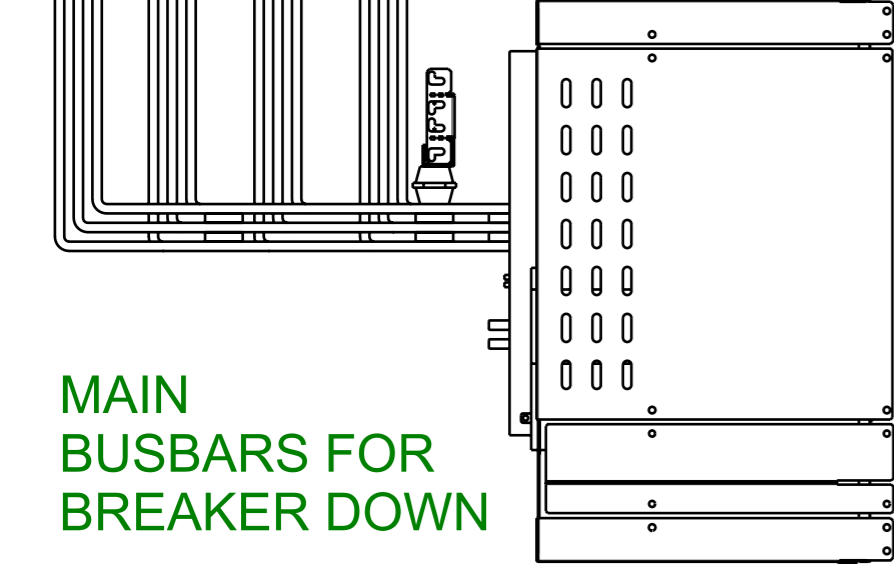
SPEP P = 900mm  
 BUSBARS HOLDER PBHB2145 (75mm)  
 MAIN BUSBARS IP30 / IP31 : 2500A (2x80x10);  
 MAIN BUSBARS IP40 / IP41 / IP65 : 2500A (2x100x10)

MAIN  
BUSBARS FOR  
BREAKER UP

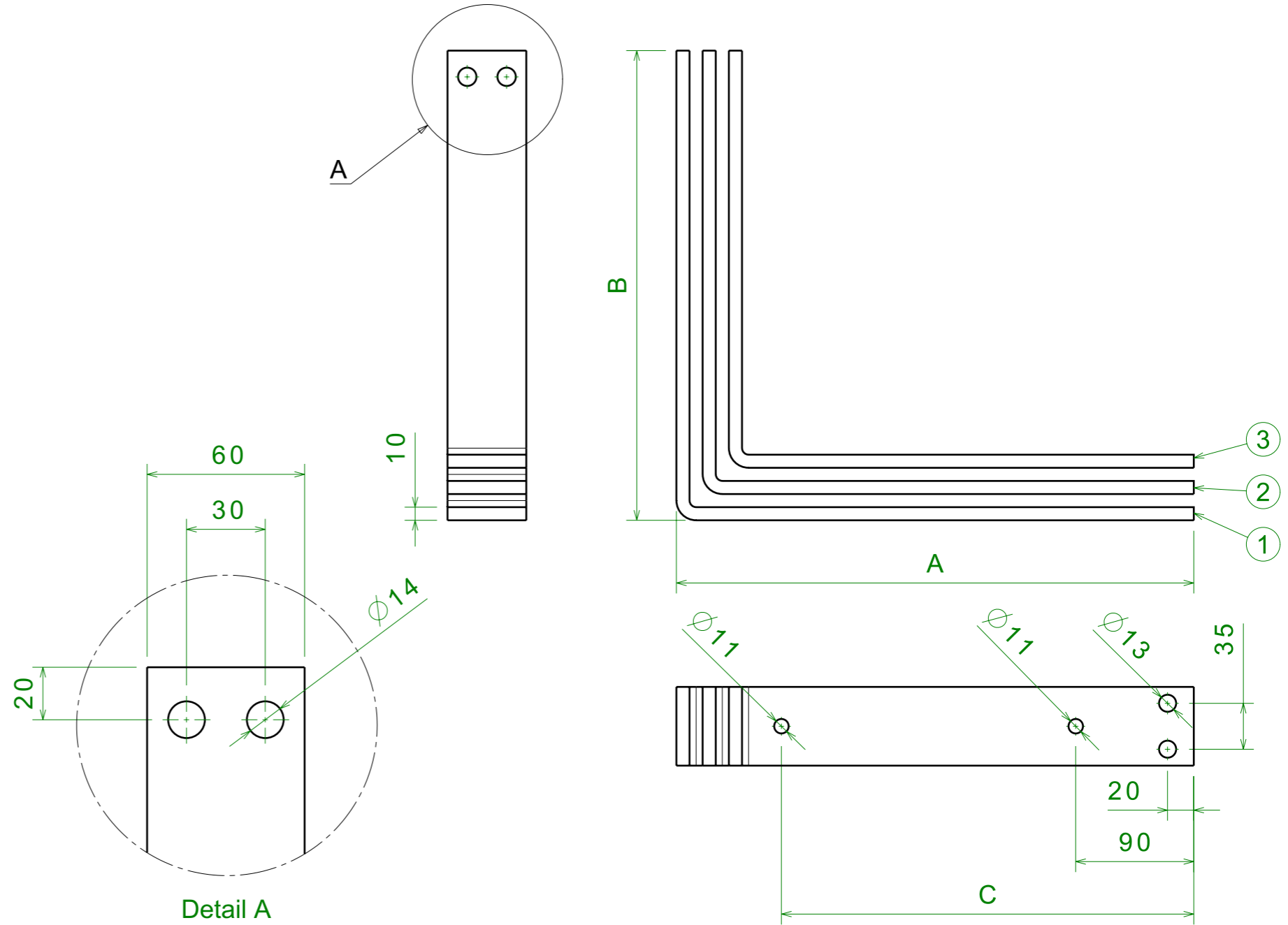


	B	
	H MAIN BUSBARS	
	80	100
L3.1	378	358
L3.2	358	338
L3.3	338	318
L2.1	378	358
L2.2	358	338
L2.3	338	318
L1.1	378	358
L1.2	358	338
L1.3	338	318
N.1	378	358
N.2	358	338
N.3	338	318

MAIN  
BUSBARS FOR  
BREAKER DOWN



	B	
	H MAIN BUSBARS	
	80	100
L3.1	358	358
L3.2	338	338
L3.3	318	318
L2.1	358	358
L2.2	338	338
L2.3	318	318
L1.1	358	358
L1.2	338	338
L1.3	318	318
N.1	358	358
N.2	338	338
N.3	318	318



Detail A

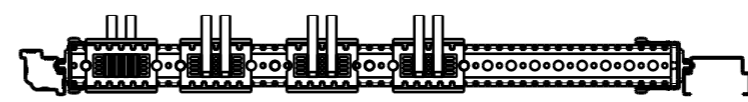
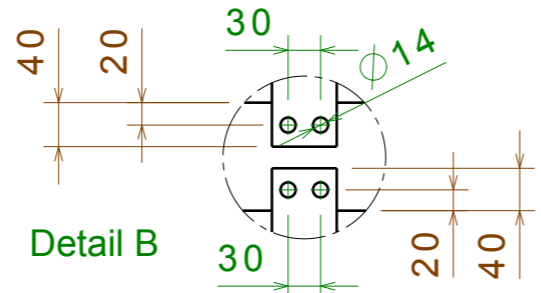
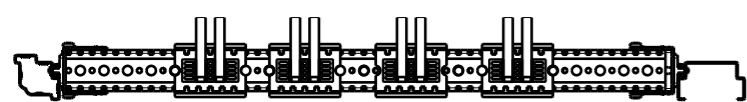
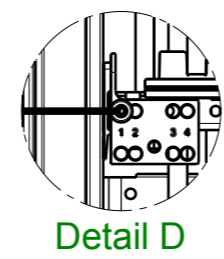
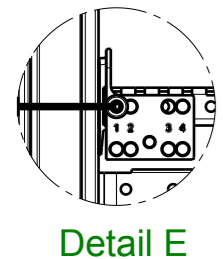
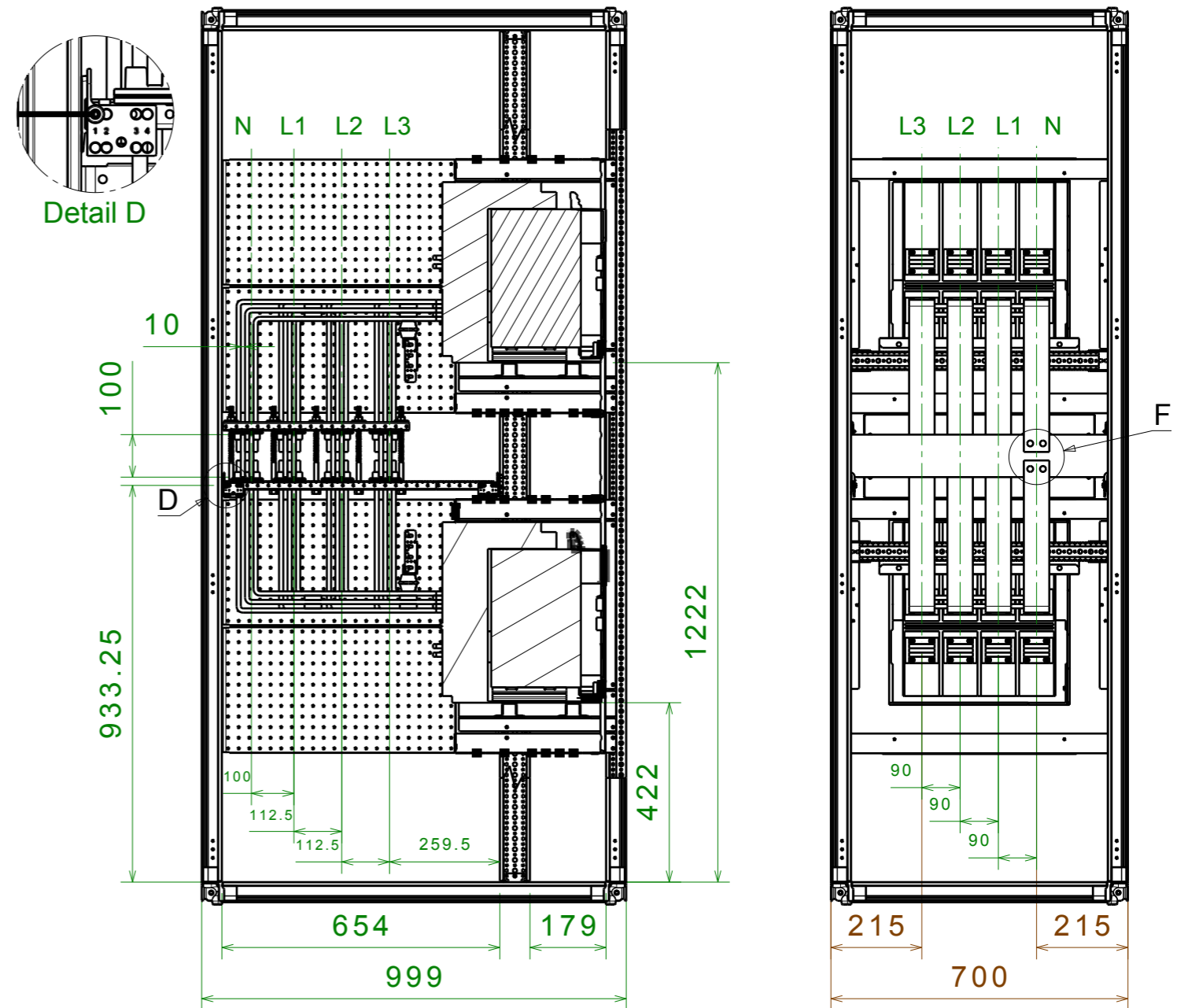
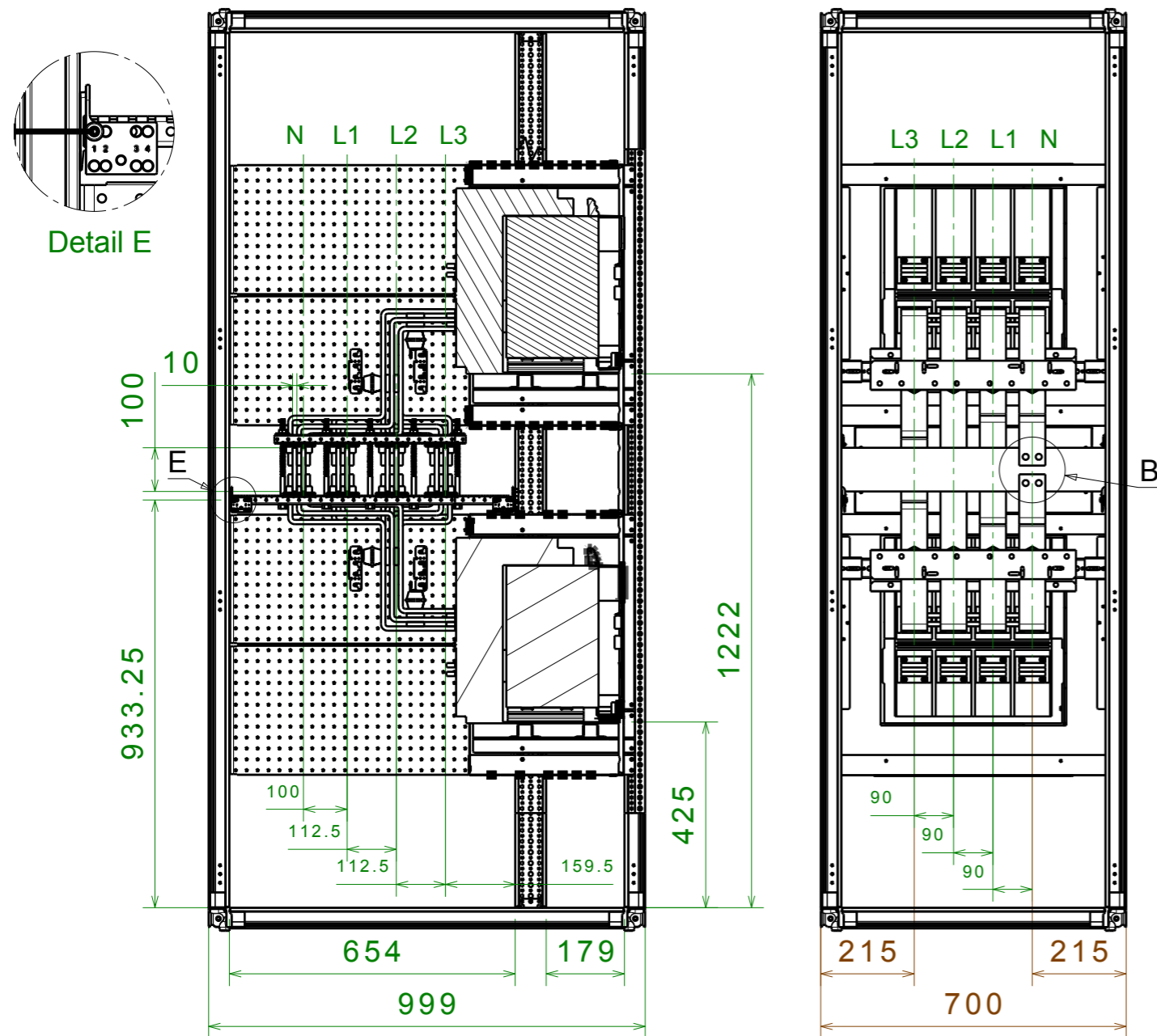
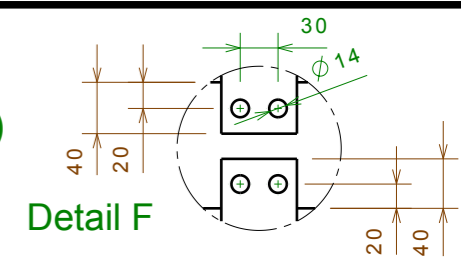
PHASE	POS		A	C
L3	1	L3.1	169.25	-
	2	L3.2	149.25	-
	3	L3.3	129.25	-
L2	1	L2.1	281.75	-
	2	L2.2	261.75	-
	3	L2.3	241.75	-
L1	1	L1.1	394.25	314.25
	2	L1.2	374.25	314.25
	3	L1.3	354.25	314.25
N	1	N.1	494.25	314.25
	2	N.2	474.25	314.25
	3	N.3	454.25	314.25

SCALA SCALE	: 1:4	N° PROGETTO : PROJECT	XXX.XX
DISSEGNAZIONE DESIGNER	:	<b>ABB SACE ADB</b>	
APPROVAZIONE APPROVAL	:	DENOMINAZIONE/NAME: E2.2 2500A WITHDRAWABLE (COUPLER COLUMN) CONNECTION BUSBARS 3x60x10xP_L	
DATA DATE	: XX-XX-XX	DISEGNO N° /DRAWING N° <b>8 6 3 8 3 8</b>	
FORMATO FORMED	Formato A3 Formed	Questo disegno e' di esclusiva proprieta' di ABB SACE ADB. Ne e' vietata la riproduzione a termini di legge	



ASSEMBLY DRAWING  
E2.2 2500A W (COUPLER COLUMN)  
I<sub>cw</sub> > 36KA

ASSEMBLY DRAWING  
E2.2 2500A W (COUPLER COLUMN)  
I<sub>cw</sub> ≤ 36KA



CONNECTION BUSBARS 3x60x10xP

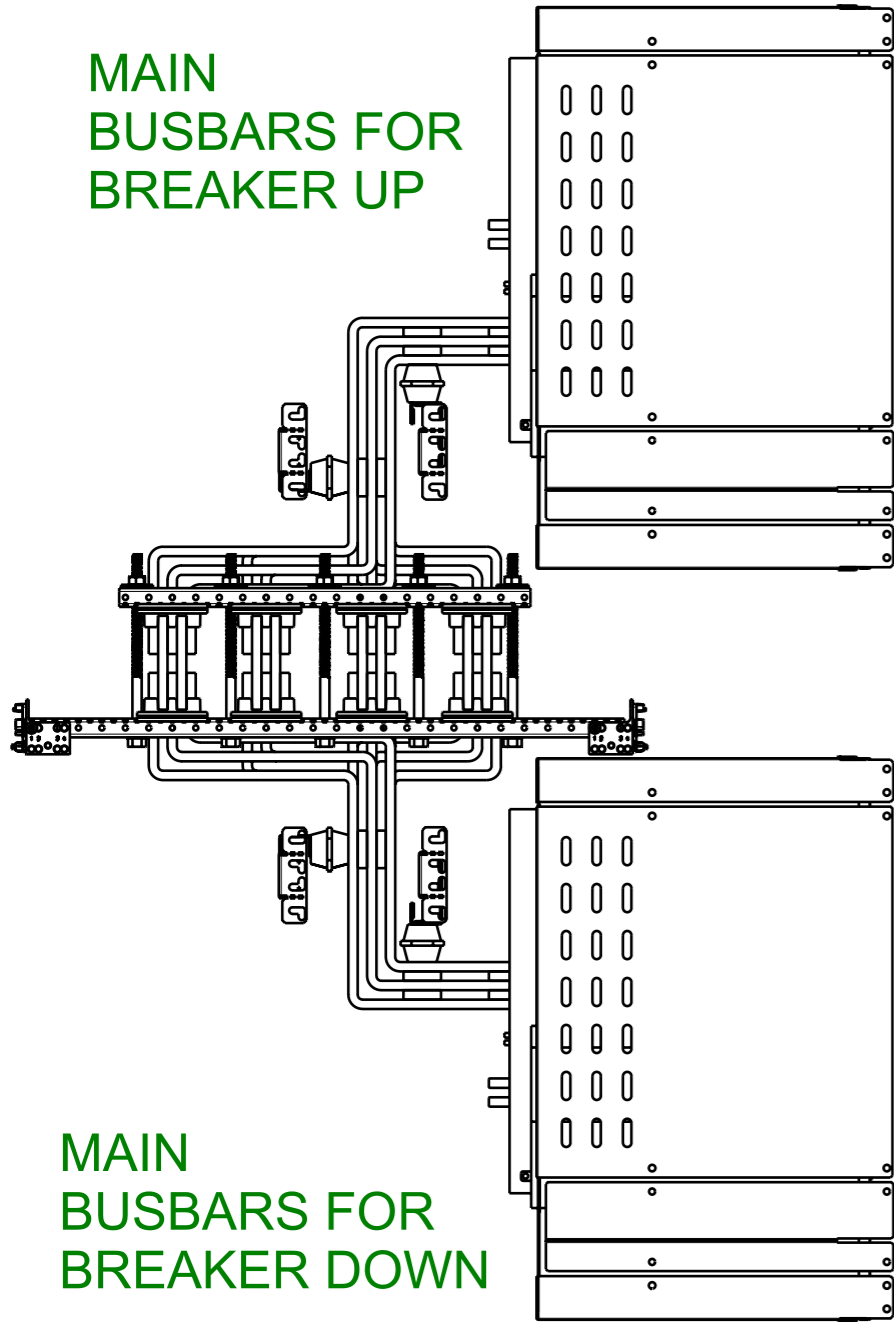
AGG. DI SEGNO	SCALA SCALE	: 1:14	N° PROGETTO / PROJECT	XXX.XX
DISEGNATORE DESIGNER	APPROVAZIONE / APPROVAL		<b>ABB SACE ADB</b>	
MODIFICA	DATA DATE	: xx-xx-xx	DENOMINAZIONE/NAME: E2.2 2500A W (COUPLER COLUMN) CONNECTION BUSBARS 3x60x10xP	
DATA	Formato A3 Formed		DISEGNO N° /DRAWING N° <b>8 6 3 8 3 6</b>	

Questo disegno e' di esclusiva proprieta' di ABB SACE ADB. Ne e' vietata la riproduzione e termini di legge

# CONNECTIONS FOR E2.2 2500A WITHDRAWABLE (COUPLER COLUMN) $I_{cw} > 36KA$

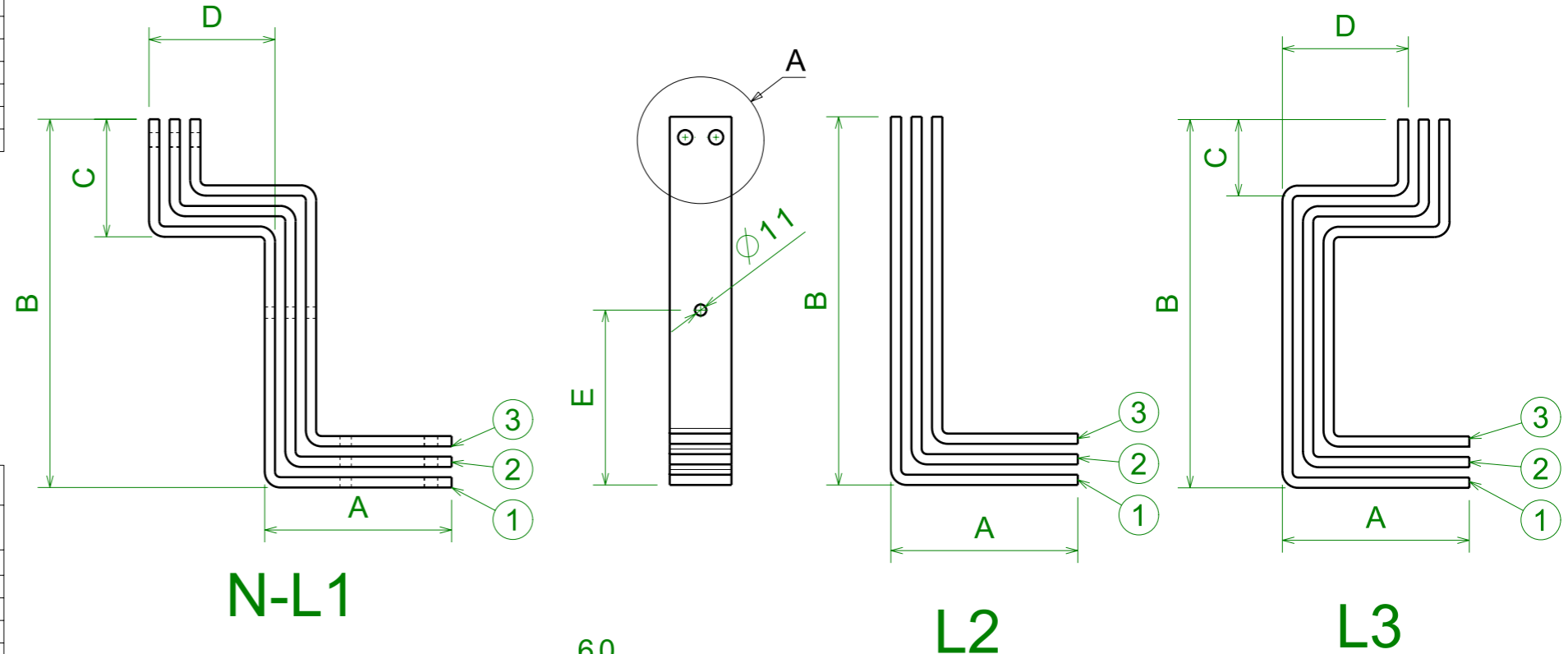
SPEP P = 900mm  
 BUSBARS HOLDER PBHB2145 (75mm)  
 MAIN BUSBARS IP30 / IP31 : 2500A (2x80x10);  
 MAIN BUSBARS IP40 / IP41 / IP65 : 2500A (2x100x10)

MAIN  
BUSBARS FOR  
BREAKER UP



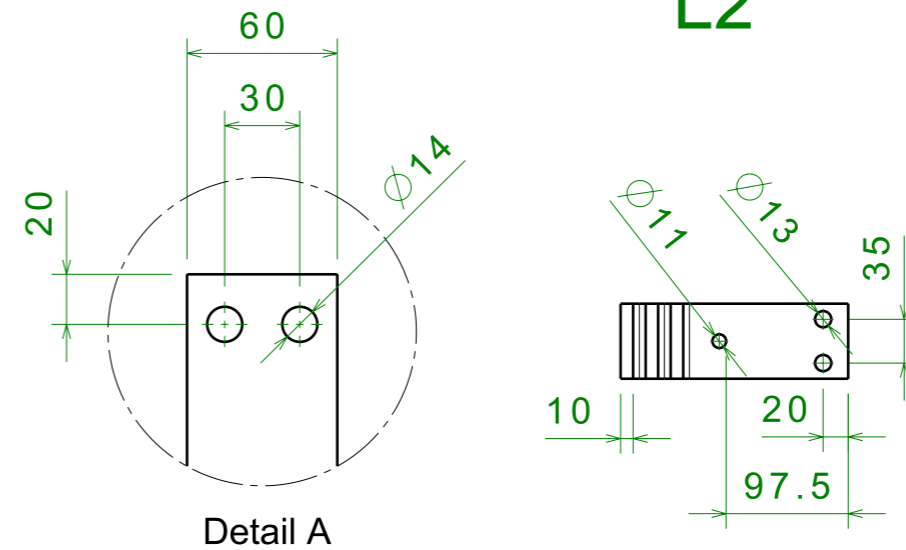
	B	
	H MAIN BUSBARS	
	80	100
L3.1	378	358
L3.2	358	338
L3.3	338	318
L2.1	378	358
L2.2	358	338
L2.3	338	318
L1.1	378	358
L1.2	358	338
L1.3	338	318
N.1	378	358
N.2	358	338
N.3	338	318

	B	
	H MAIN BUSBARS	
	80	100
L3.1	358	358
L3.2	338	338
L3.3	318	318
L2.1	358	358
L2.2	338	338
L2.3	318	318
L1.1	358	358
L1.2	338	338
L1.3	318	318
N.1	358	358
N.2	338	338
N.3	318	318



MAIN  
BUSBARS FOR  
BREAKER DOWN

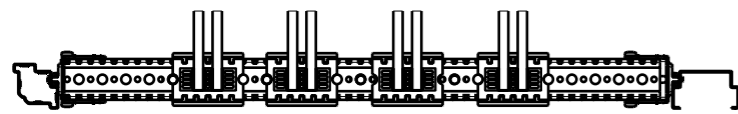
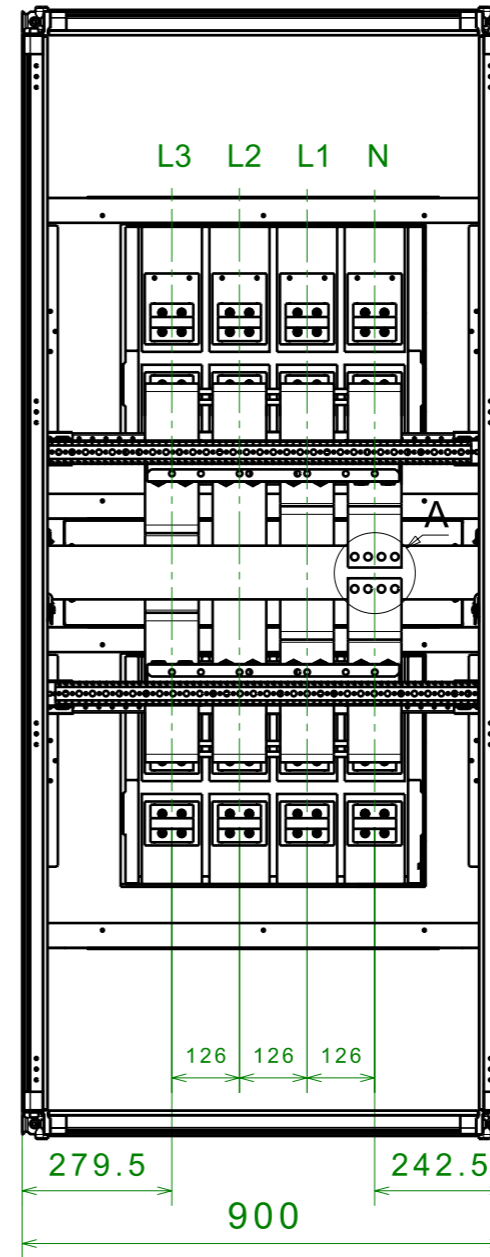
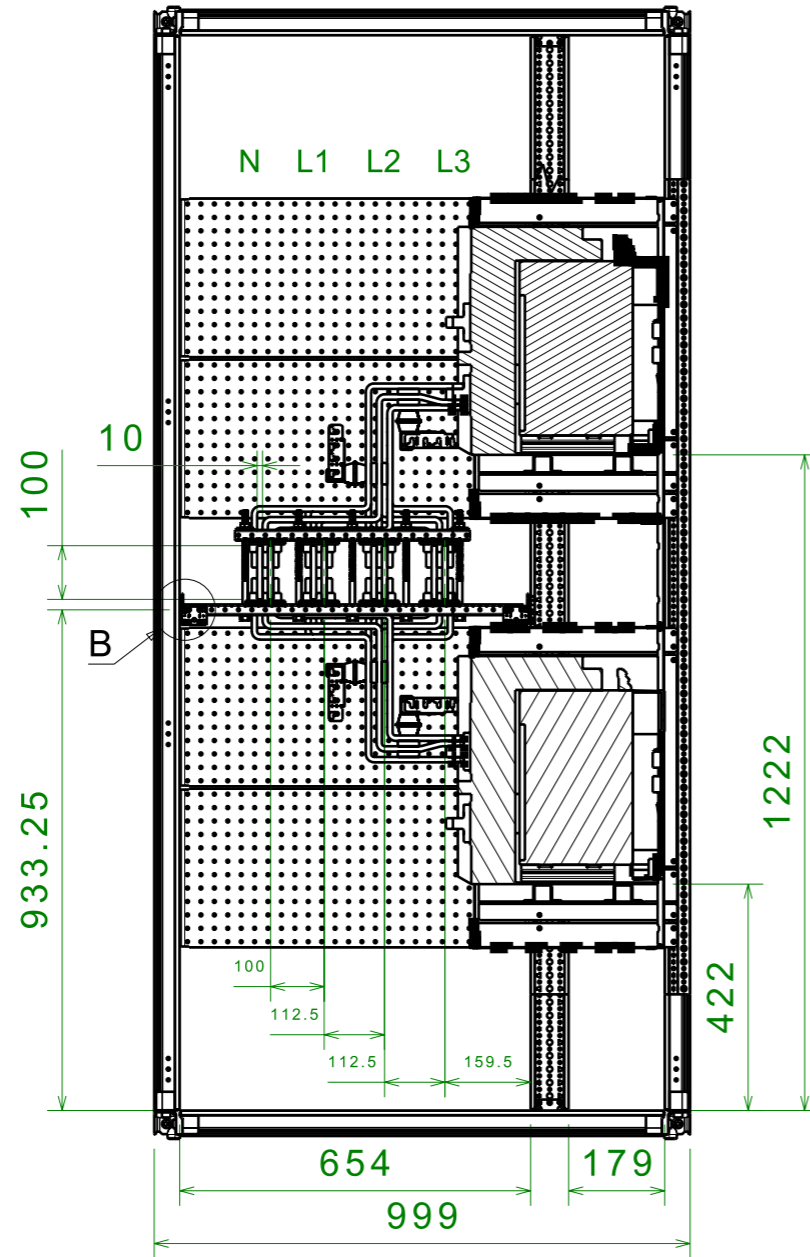
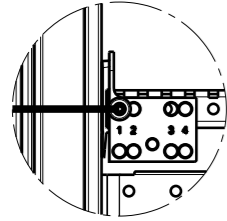
PHASE	POS		A	C	D	E
L3	1	L3.1	181.75	74.25	122.5	170
	2	L3.2	161.75	94.25	122.5	150
	3	L3.3	141.75	114.25	122.5	130
L2	1	L2.1	181.75	-	-	170
	2	L2.2	161.75	-	-	150
	3	L2.3	141.75	-	-	130
L1	1	L1.1	181.75	114.25	122.5	170
	2	L1.2	161.75	94.25	122.5	150
	3	L1.3	141.75	74.25	122.5	130
N	1	N.1	181.75	114.25	222.5	170
	2	N.2	161.75	94.25	222.5	150
	3	N.3	141.75	74.25	222.5	130



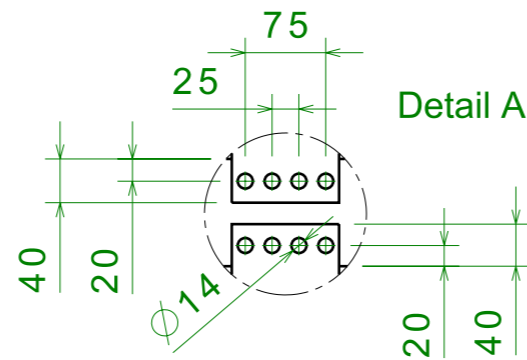
DATA	MODIFICA	AGG. DISEGNO	SCALA	SCALE	N° PROGETTO	PROJECT	DENOMINAZIONE/NAME	DISEGNO N° /DRAWING N°
			SCALA	SCALE	XXX.XX	XXX.XX	E2.2 2500A	8 6 3 8 3 7
			DI SEGNA TORE	DESIGNER			WITHDRAWABLE (COUPLER COLUMN)	
			APPROVAZIONE	APPROVAL			CONNECTION BUSBARS 3x60x10xP_S	
			DATA	DATE				
			Formato A3	Formed				

# ASSEMBLY DRAWING E4.2 3200A W (COUPLER COLUMN) I<sub>cw</sub> > 36KA

Detail B



Detail A



## CONNECTION BUSBARS 3x100x10xP

		SCALA SCALE	: 1:14				
		DISEGNATORE DESIGNER	:		N° PROGETTO : PROJECT	XXX.XX	
		APPROVAZIONE APPROVAL	:		<b>ABB</b> <b>ABB SACE ADB</b>		
		DATA DATE	:	xx-xx-xx	DENOMINAZIONE/NAME: E4.2 3200A W (COUPLER COLUMN) CONNECTION BUSBARS 3x100x10xP		
				Formato A3 Formed	DISEGNO N° /DRAWING N° <b>8 6 3 8 2 9</b>		

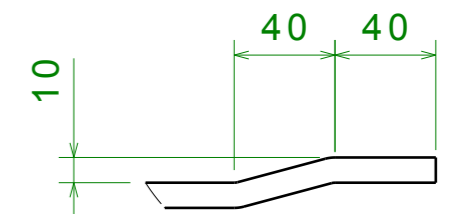
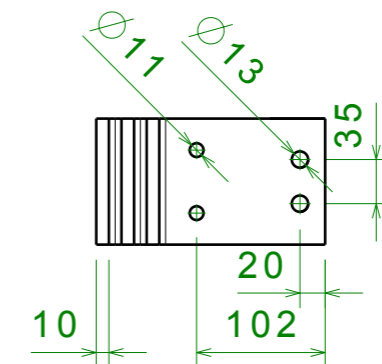
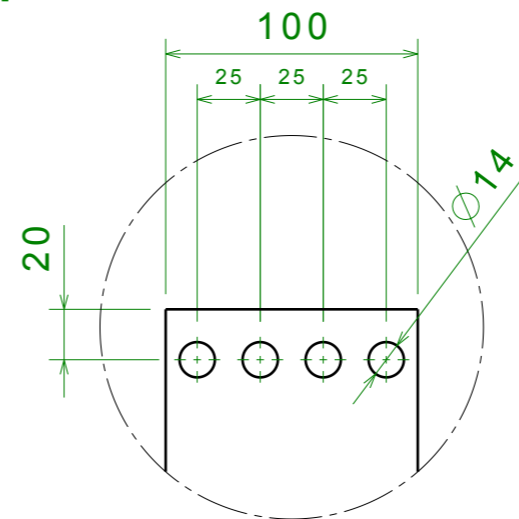
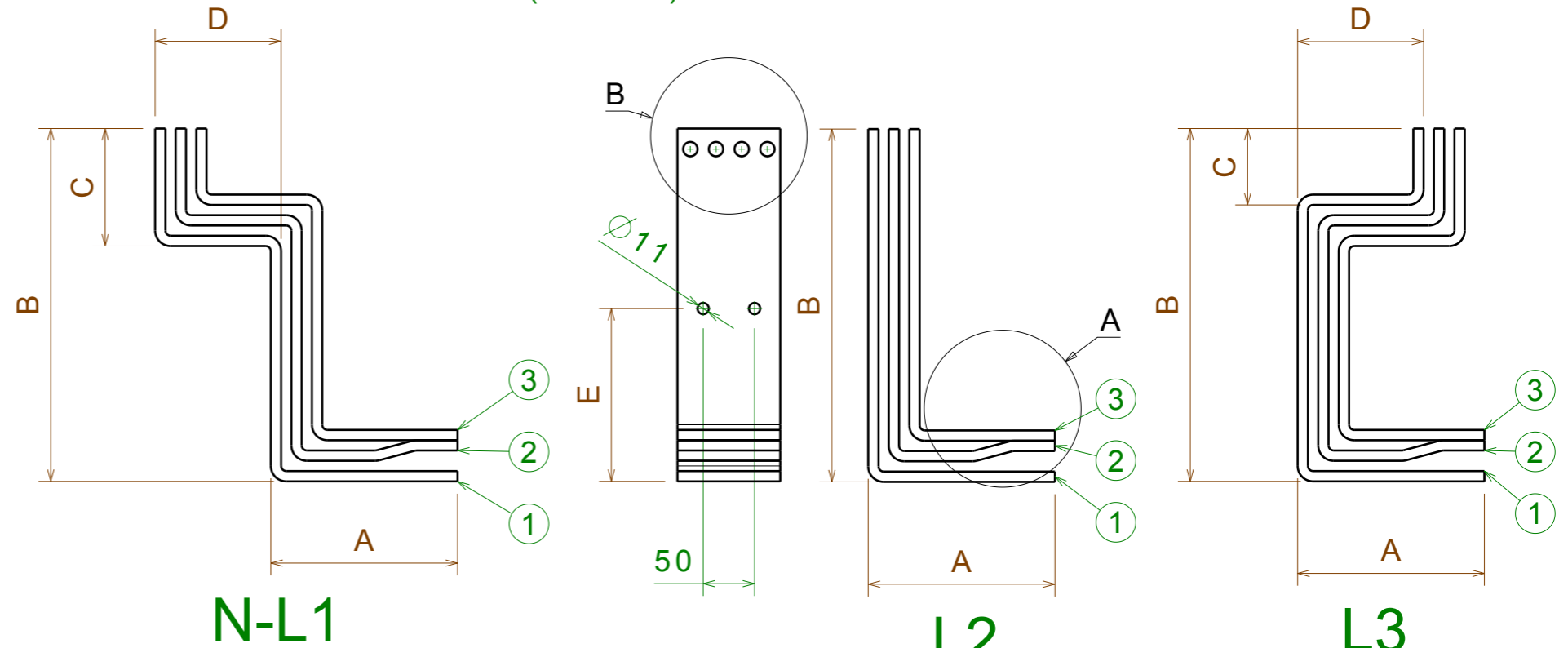
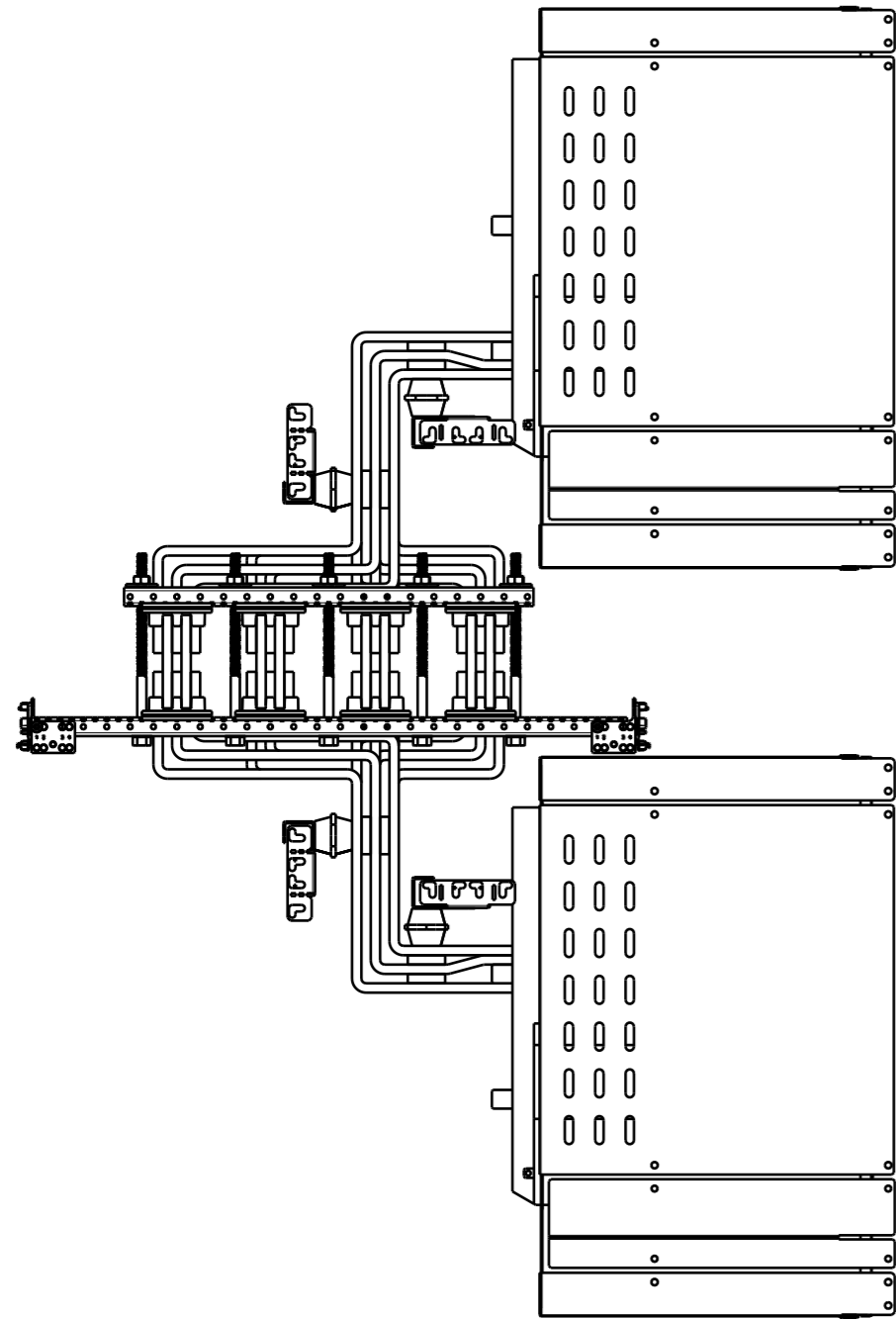
# CONNECTIONS FOR E4.2 3200A WITHDRAWABLE (COUPLER COLUMN)

## I<sub>cw</sub> > 36KA

SPEP P = 900mm

BUSBARS HOLDER PBHB2145 (75mm)

MAIN BUSBAR IP30 / IP31 : 3200A (2x100x10)



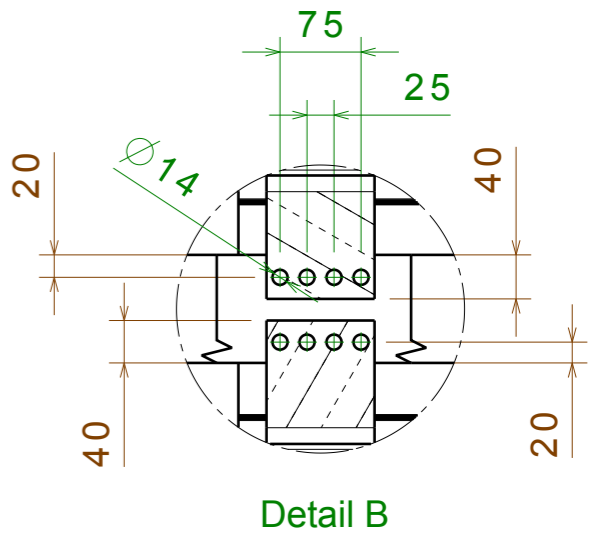
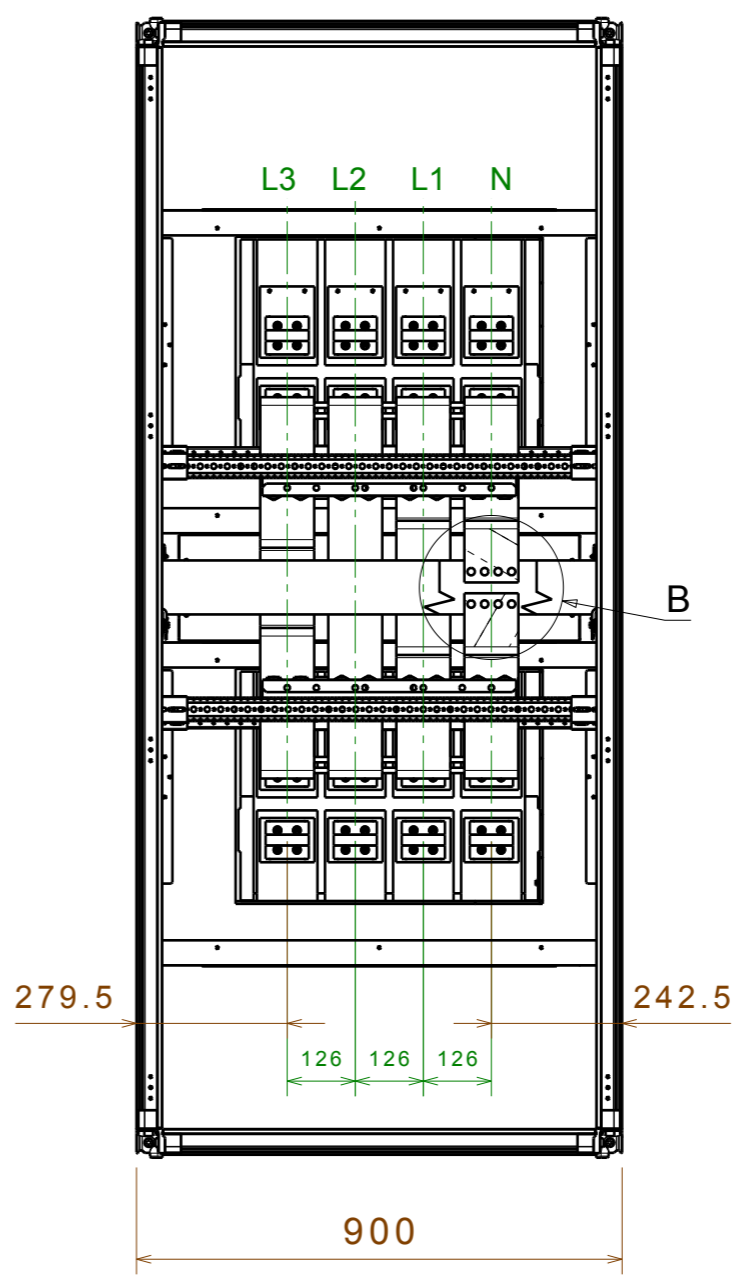
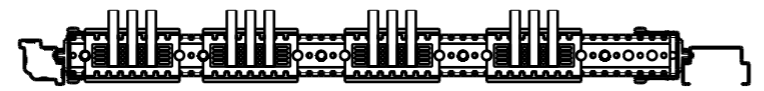
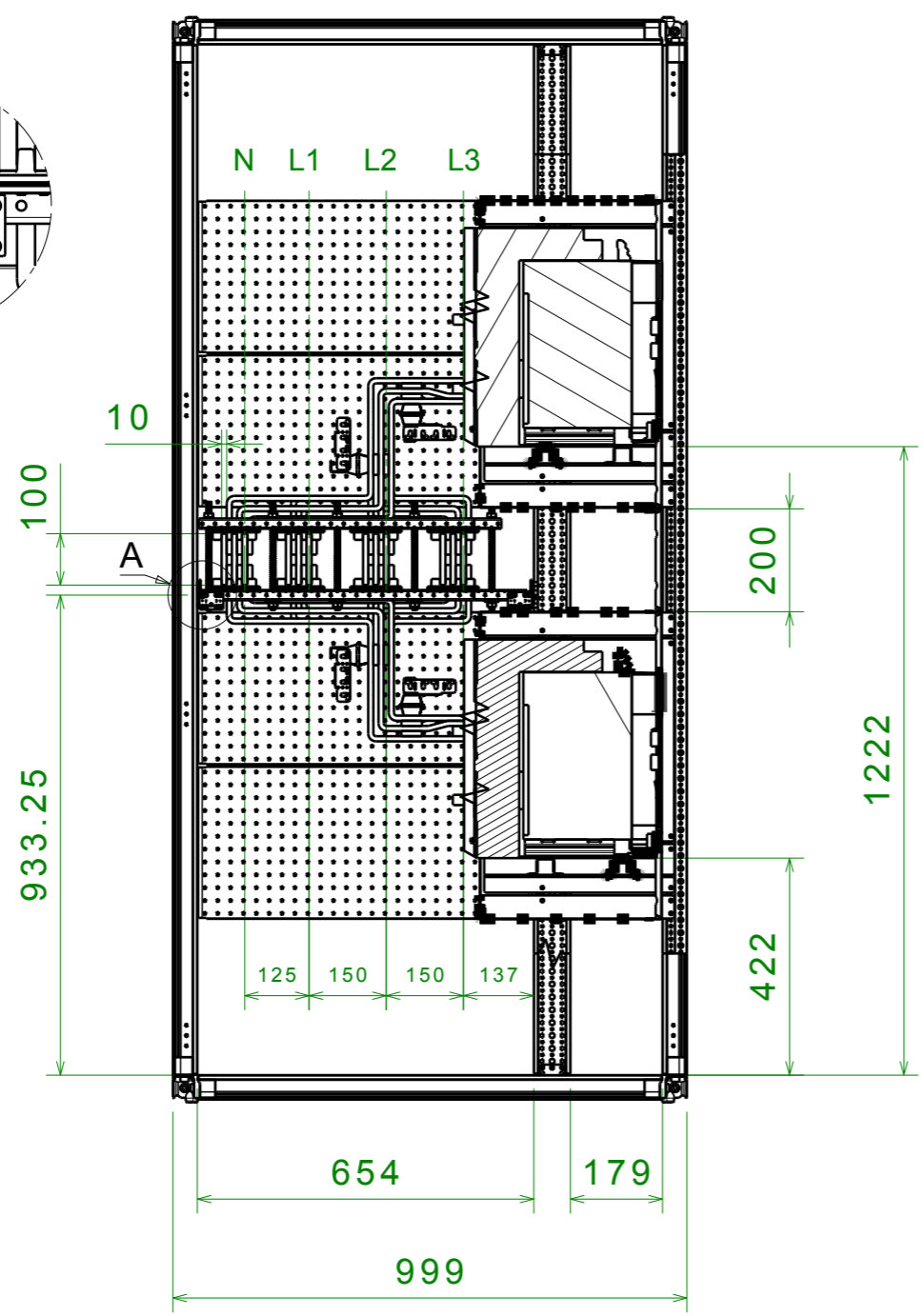
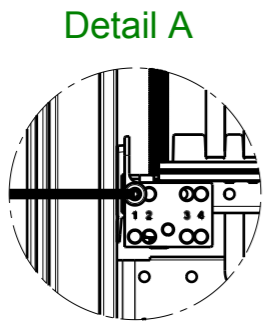
Detail A

Detail B

PHASE	POS	A	B	C	D	E
L3	1 L3.1	181.6	343	74.25	122.5	168
	2 L3.2	161.6	323	94.25	122.5	138
	3 L3.3	141.6	303	114.25	122.5	128
L2	1 L2.1	181.6	343	-	-	168
	2 L2.2	161.6	323	-	-	138
	3 L2.3	141.6	303	-	-	128
L1	1 L1.1	181.6	343	114.25	122.5	168
	2 L1.2	161.6	323	94.25	122.5	138
	3 L1.3	141.6	303	74.25	122.5	128
N	1 N.1	181.6	343	114.25	222.5	168
	2 N.2	161.6	323	94.25	222.5	138
	3 N.3	141.6	303	74.25	222.5	128

AGG. DI SEGNO	SCALA SCALE	: 1:6	N° PROGETTO : PROJECT	XXX.XX
DESIGNER	DISEGNATORE DESIGNER	:	ABB SACE ADB	
APPROVAZIONE	APPROVAZIONE	:	ABB SACE ADB	
DATA	DATA	: xx-xx-xx	DISEGNO N° /DRAWING N°	
FORMATO	FORMATO	Formato A3 Formed	E4.2 3200A W (COUPLER COLUMN) CONNECTION BUSBARS 3x100x10xP	
			<b>8 6 3 8 3 0</b>	

# ASSEMBLY DRAWING E4.2 3200A W (COUPLER COLUMN) MAIN BUSBARS 3x100x10xP



## CONNECTION BUSBARS 3x100x10xP

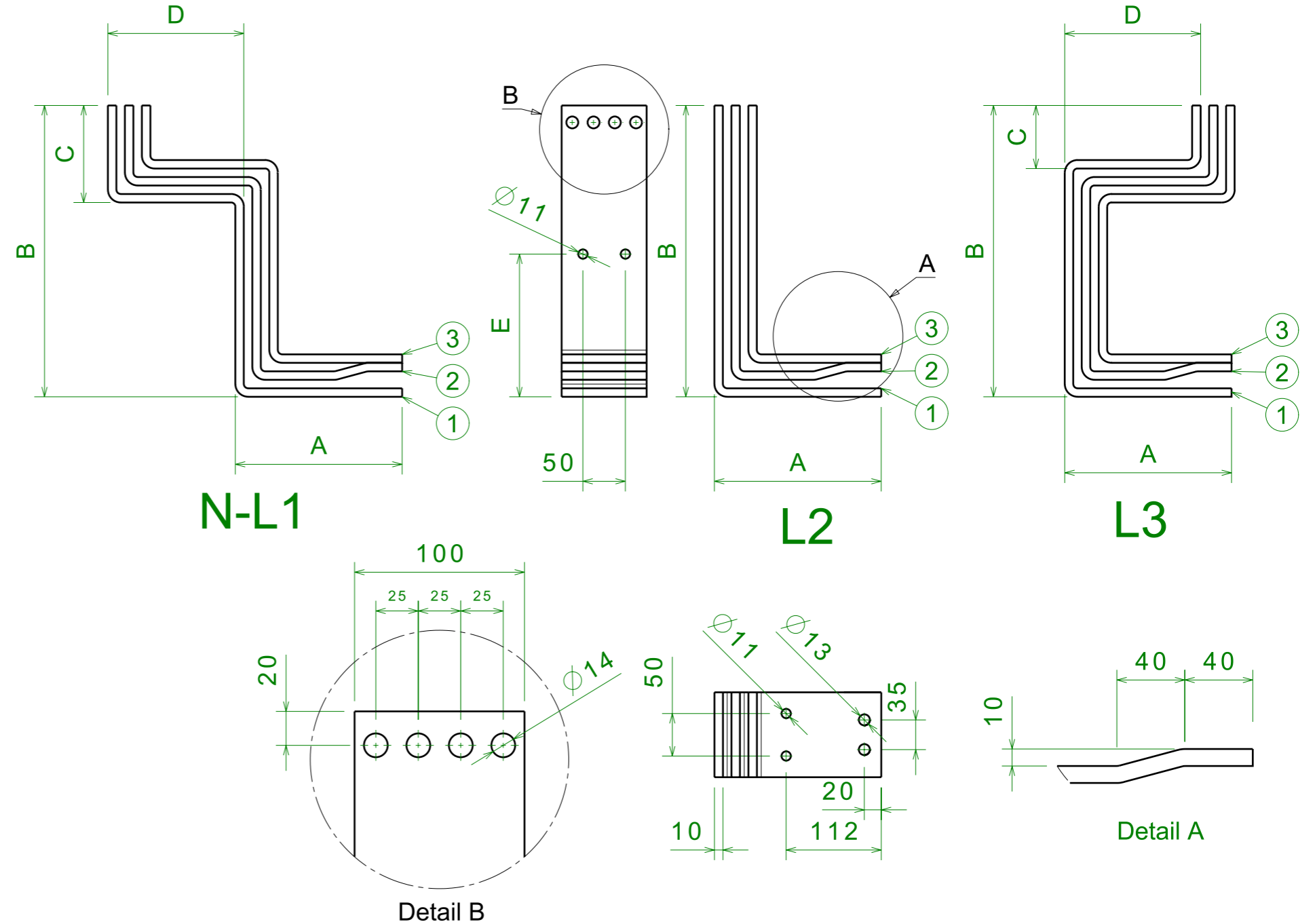
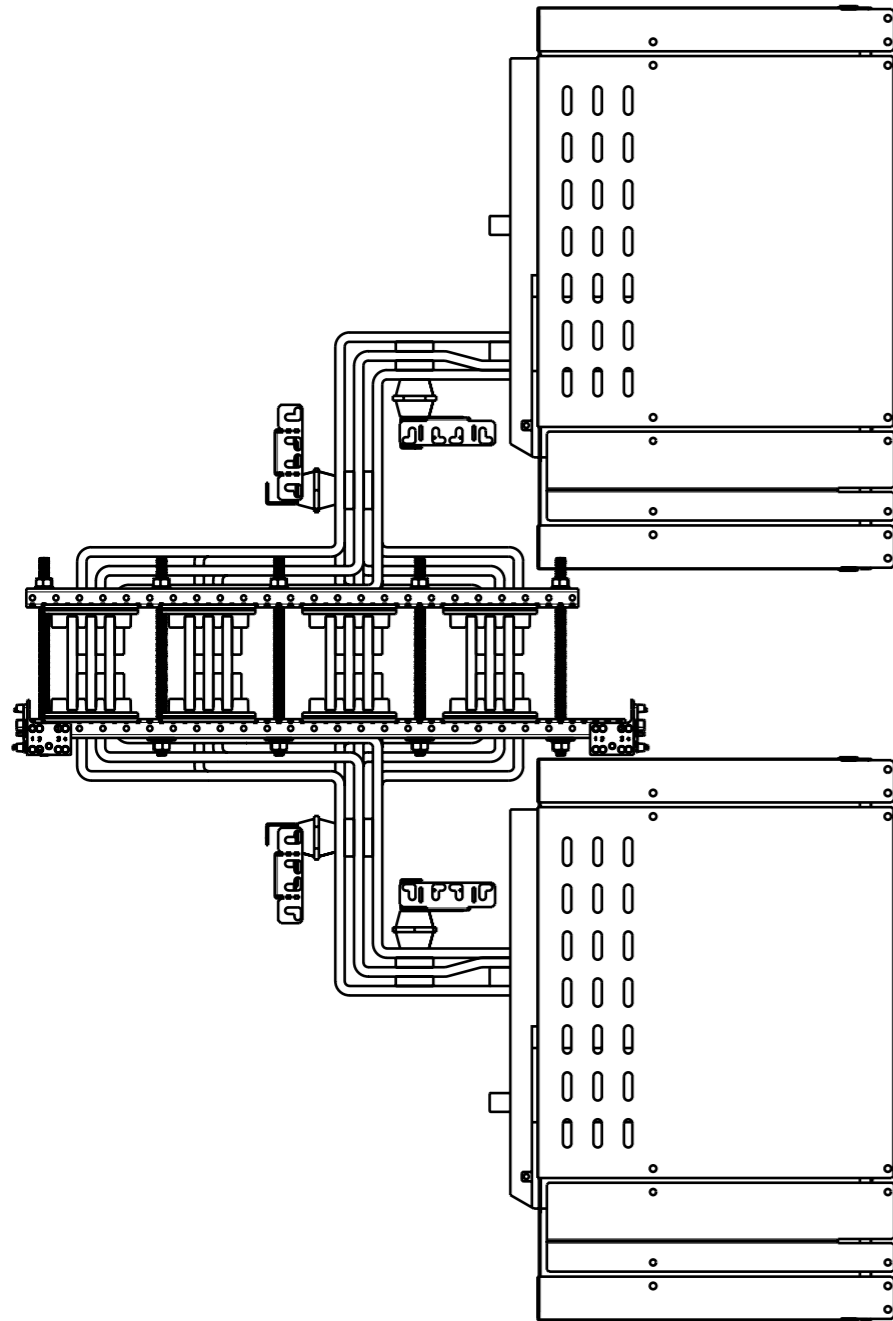
AGG. DI SEGNO	SCALA SCALE	: 1:14	N° PROGETTO : PROJECT	XXX.XX
MODIFICA	DISEGNATORE DESIGNER	:	<b>ABB SACE ADB</b>	
DATA	APPROVAZIONE APPROVAL	:		
	DATA DATE	: xx-xx-xx	DENOMINAZIONE/NAME: E4.2 3200A W (COUPLER COLUMN) CONNECTION BUSBARS 3x100x10xP	
	Formato A3 Formed		DISEGNO N° /DRAWING N° <span style="border: 1px solid black; padding: 2px;">8 6 3 8 2 5</span>	

Questo disegno e' di esclusiva proprieta' di ABB SACE ADB. Ne e' vietata la riproduzione e termini di legge

# CONNECTION FOR E4.2 3200A WITHDRAWABLE (COUPLER COLUMN)

SPEP P = 900mm  
BUSBARS HOLDER PBHB3121 (100mm)

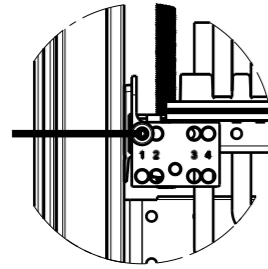
MAIN BUSBAR IP40 / IP41 / IP65 : 3200A (3x100x10)



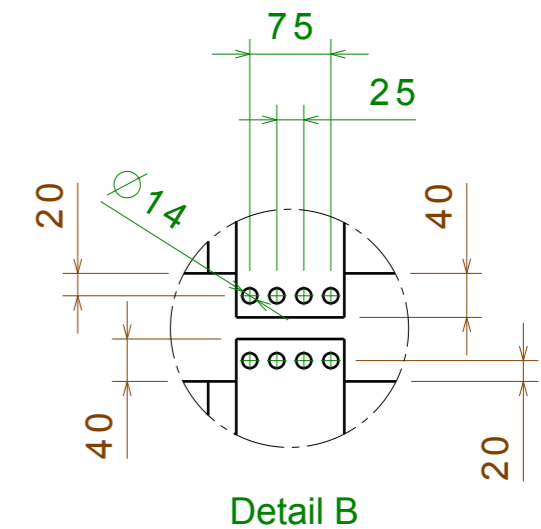
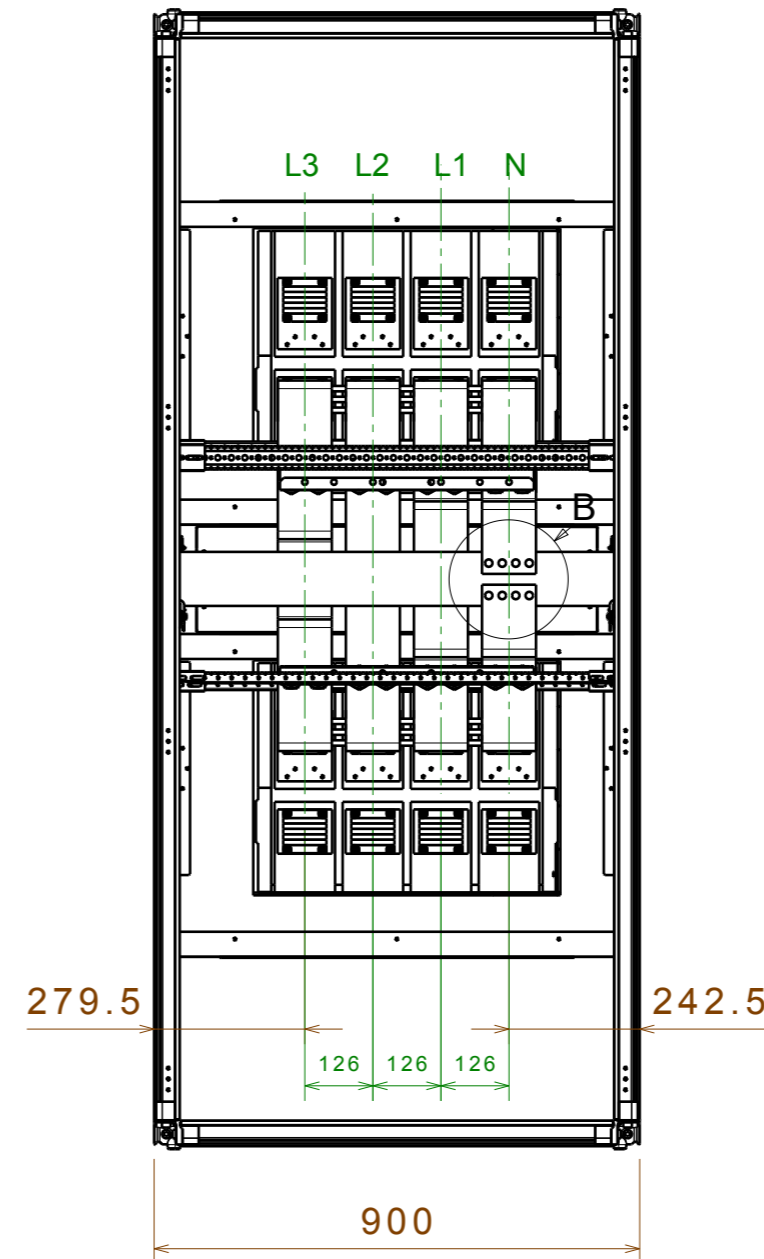
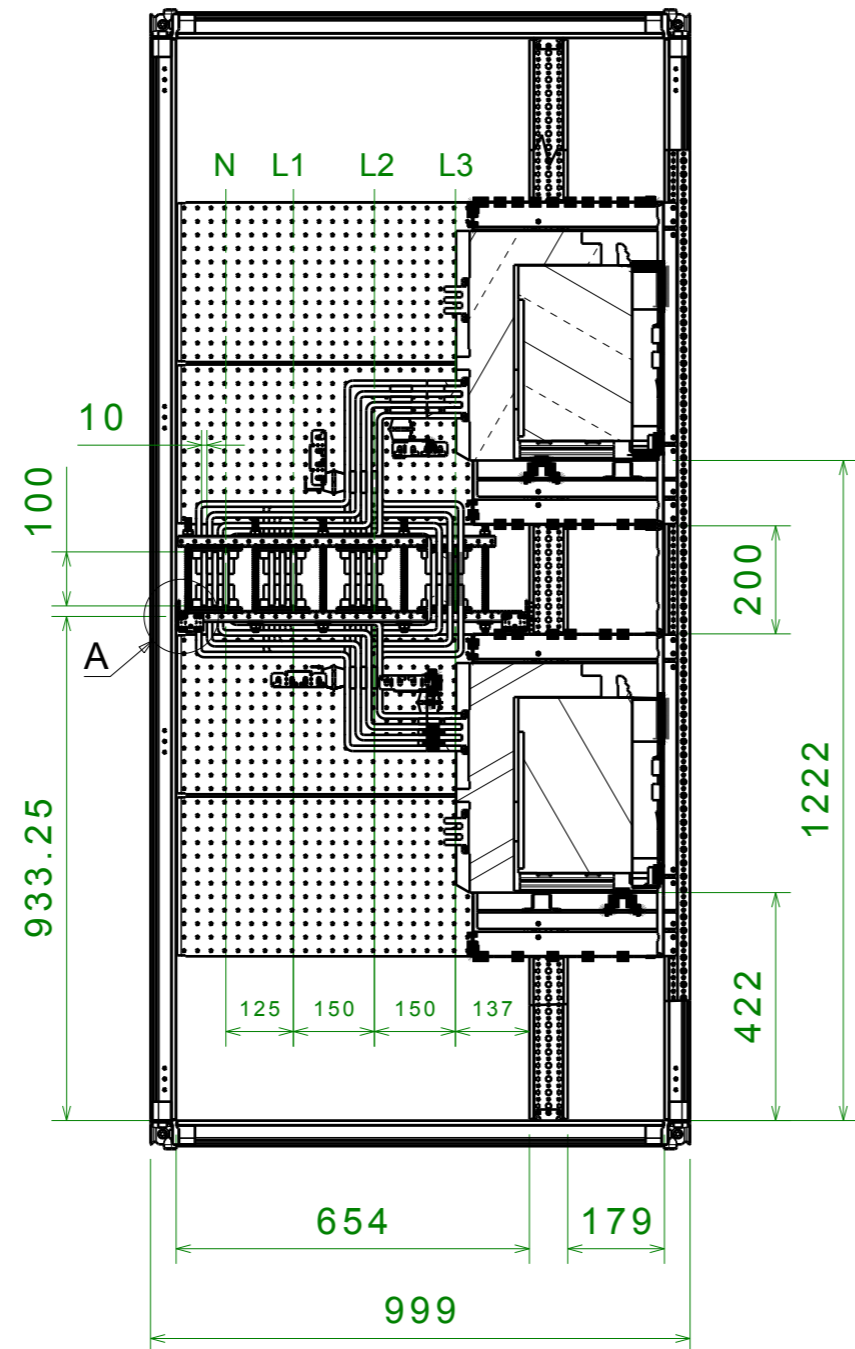
PHASE	POS	A	B	C	D	E
L3	1 L3.1	196.4	343	74.25	160	168
	2 L3.2	176.4	323	94.25	160	148
	3 L3.3	156.4	303	114.25	160	128
L2	1 L2.1	196.4	343	-	-	168
	2 L2.2	176.4	323	-	-	148
	3 L2.3	156.4	303	-	-	128
L1	1 L1.1	196.4	343	114.25	160	168
	2 L1.2	176.4	323	94.25	160	148
	3 L1.3	156.4	303	74.25	160	128
N	1 N.1	196.4	343	114.25	285	168
	2 N.2	176.4	323	94.25	285	148
	3 N.3	156.4	303	74.25	285	128

SCALA SCALE	: 1:6	N° PROGETTO : PROJECT	XXX.XX
DISEGNATORE DESIGNER	:	ABB SACE ADB	
APPROVAZIONE APPROVAL	:	DISEGNO N° /DRAWING N°	
DATA DATE	: XX-XX-XX	E4.2 3200A WITHDRAWABLE (COUPLER COLUMN) CONNECTION BUSBARS 3x100x10XP	
FORMATO FORMED	Formato A3 Formed	8 6 3 8 2 7	

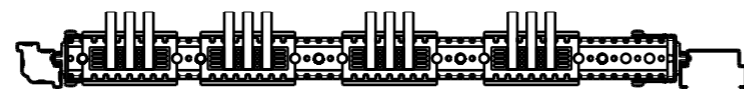
# ASSEMBLY DRAWING E4.2 4000A W (COUPLER COLUMN) MAIN BUSBARS 3x100x10xP



Detail A



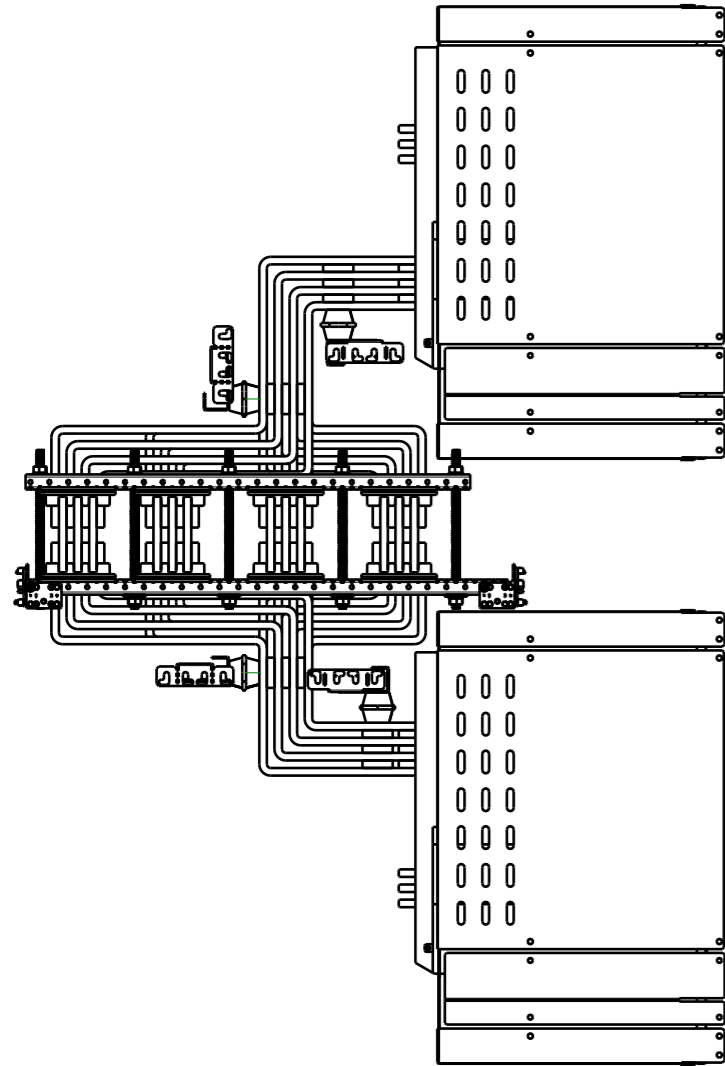
Detail B



## CONNECTION BUSBARS 4x100x10xP

AGG. DI SEGNO	SCALA SCALE : 1:14	N° PROGETTO : PROJECT XXX.XX
MODIFICA	DISEGNATORE DESIGNER :	<b>ABB</b> <b>ABB SACE ADB</b>
DATA	APPROVAZIONE : APPROVAL	DENOMINAZIONE/NAME: E4.2 4000A WITHDRAWABLE (COUPLER COLUMN) CONNECTION BUSBARS 4x100x10xP
	DATA DATE : xx-xx-xx	DISEGNO N° /DRAWING N° 8 6 3 8 2 1
	Formato A3 Formed	

## CONNECTION BUSBARS FOR BREAKER UP



	B	E	F
L3.1	358	188	112
L3.2	338	168	112
L3.3	318	148	112
L3.4	298	128	112
L2.1	358	188	112
L2.2	338	168	112
L2.3	318	148	112
L2.4	298	128	112
L1.1	358	188	112
L1.2	338	168	112
L1.3	318	148	112
L1.4	298	128	112
N.1	358	188	112
N.2	338	168	112
N.3	318	148	112
N.4	298	128	112

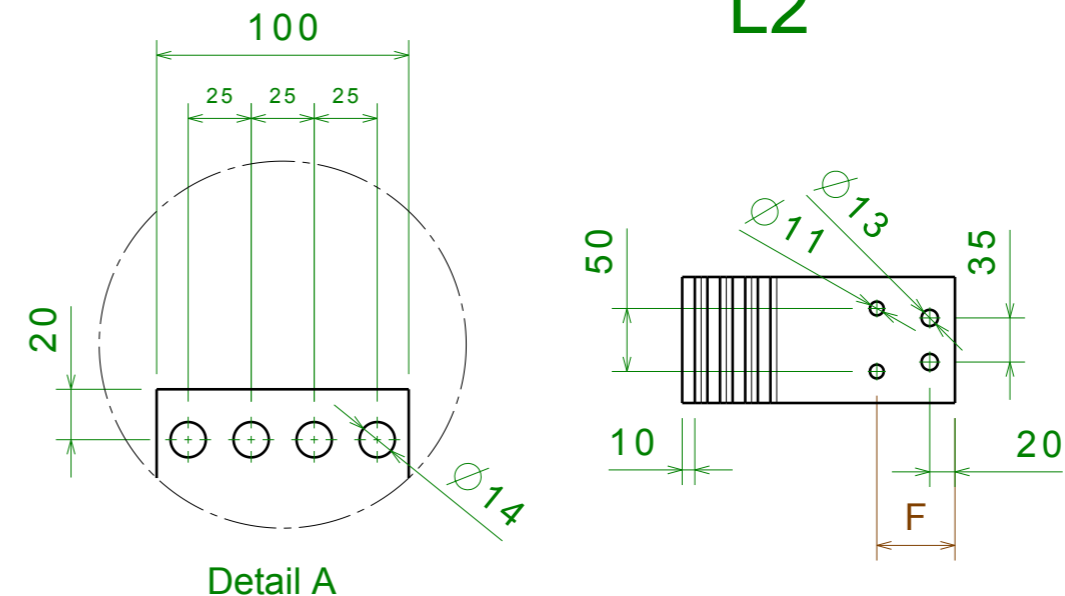
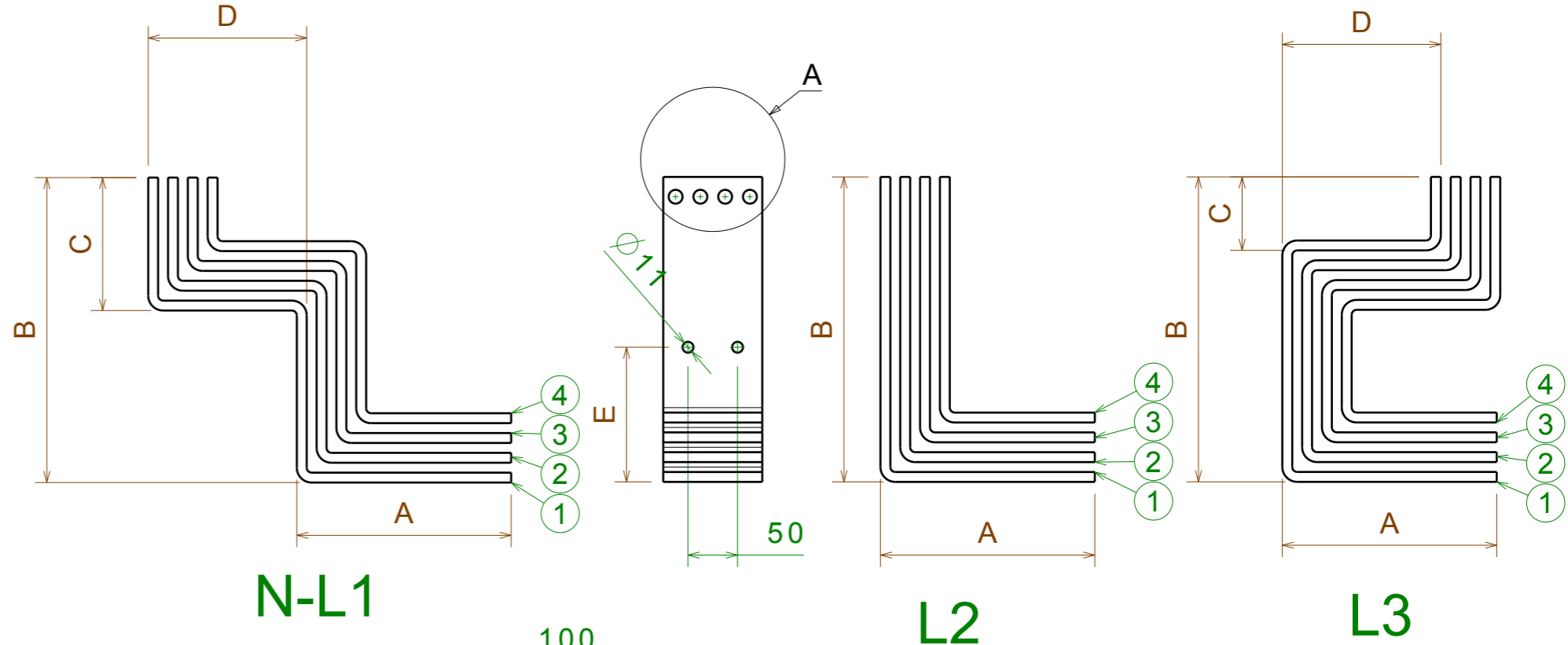
	B	E	F
L3.1	308	136	62
L3.2	288	116	62
L3.3	268	96	62
L3.4	248	76	62
L2.1	308	136	62
L2.2	288	116	62
L2.3	268	96	62
L2.4	248	76	62
L1.1	308	136	62
L1.2	288	116	62
L1.3	268	96	62
L1.4	248	76	62
N.1	308	136	62
N.2	288	116	62
N.3	268	96	62
N.4	248	76	62

## CONNECTION BUSBARS FOR BREAKER DOWN

PHASE	POS	A	C	D	
L3	1	L3.1	216.4	74.25	160
	2	L3.2	196.4	94.25	160
	3	L3.3	176.4	114.25	160
	4	L3.4	156.4	134.25	160
L2	1	L2.1	216.4	-	-
	2	L2.2	196.4	-	-
	3	L2.3	176.4	-	-
	4	L2.4	156.4	-	-
L1	1	L1.1	216.4	134.25	160
	2	L1.2	196.4	114.25	160
	3	L1.3	176.4	94.25	160
	4	L1.4	156.4	74.25	160
N	1	N.1	216.4	134.25	285
	2	N.2	196.4	114.25	285
	3	N.3	176.4	94.25	285
	4	N.4	156.4	74.25	285

# CONNECTION FOR E4.2 4000A WITHDRAWABLE (COUPLER COLUMN)

SPEP P=900mm  
 BUSBARS HOLDER PBHB3121 (100mm)  
 MAIN BUSBARS IP30 / IP31 : 4000A (3x100x10)



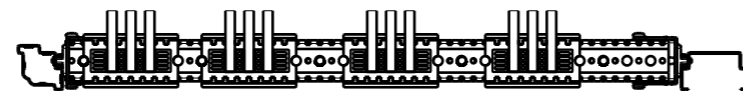
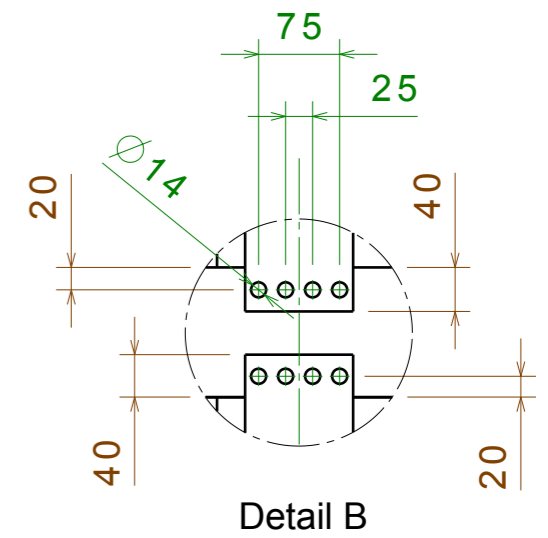
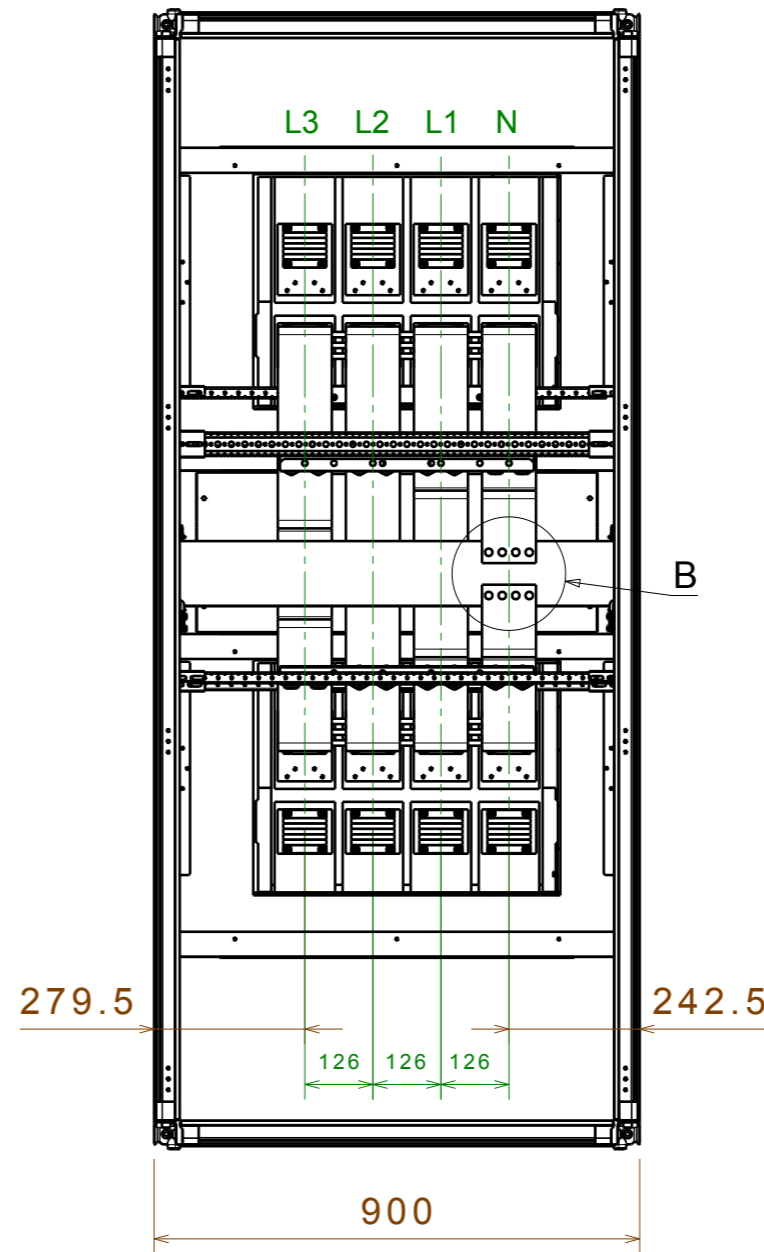
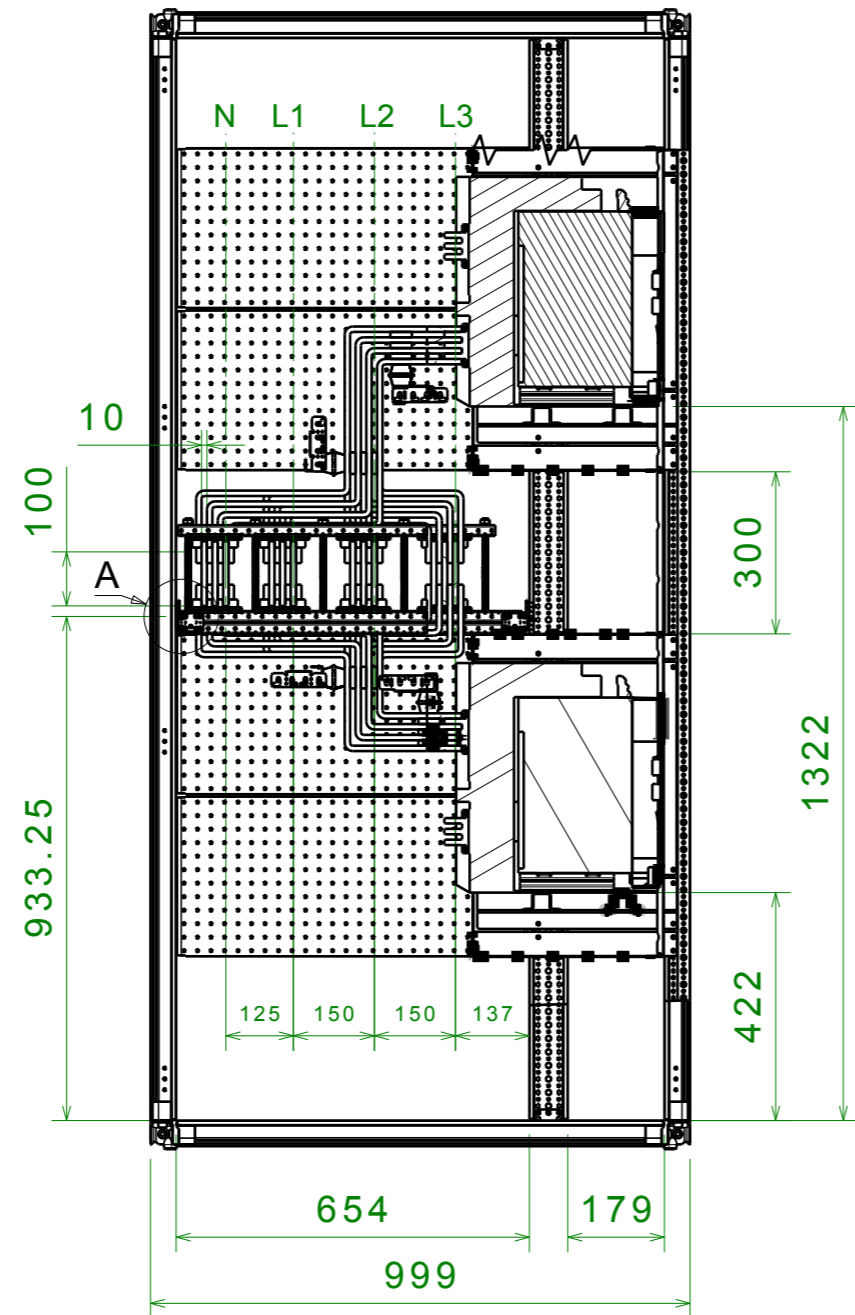
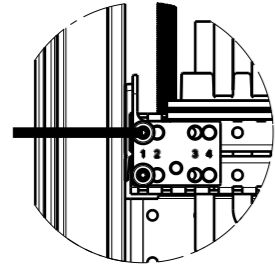
SCALA SCALE	: 1:6	N° PROGETTO PROJECT	XXX.XX
DISEGNATORE DESIGNER	:	ABB SACE ADB	
APPROVAZIONE APPROVAL	:	DISEGNO N° / DRAWING N°	
DATA DATE	: xx-xx-xx	E4.2 4000A WITHDRAWABLE (COUPLER COLUMN) CONNECTION BUSBARS 4x100x10xP	
FORMATO FORMED	Formato A3 Formed	8 6 3 8 2 3	

Questo disegno e' di esclusiva proprieta' di ABB SACE ADB. Ne e' vietata la riproduzione a termini di legge.



# ASSEMBLY DRAWING E4.2 4000A W (COUPLER COLUMN) MAIN BUSBARS 3x120x10xP

Detail A

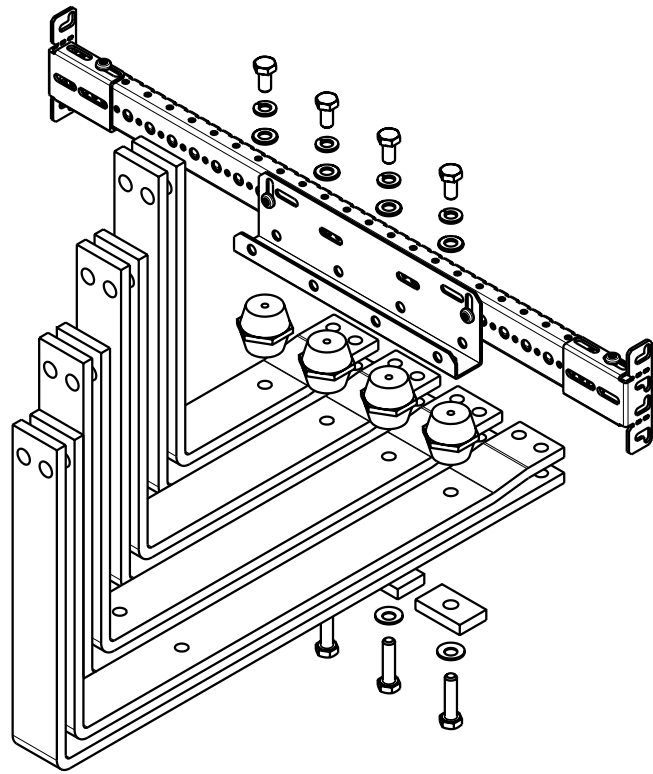


## CONNECTION BUSBARS 4x100x10xP

AGG. DI SEGNO	SCALA SCALE : 1:14	N° PROGETTO : PROJECT	XXX.XX
MODIFICA	DISEGNATORE DESIGNER	<b>ABB SACE ADB</b>	
DATA	APPROVAZIONE : APPROVAL	DENOMINAZIONE/NAME:	
	DATA DATE : xx-xx-xx	E4.2 4000A WITHDRAWABLE (COUPLER COLUMN) CONNECTION BUSBARS 4x100x10xP	
	Formato A3 Formed	DISEGNO N° /DRAWING N° 8 6 3 8 2 2	



# HOLDER FOR Icw 15KA

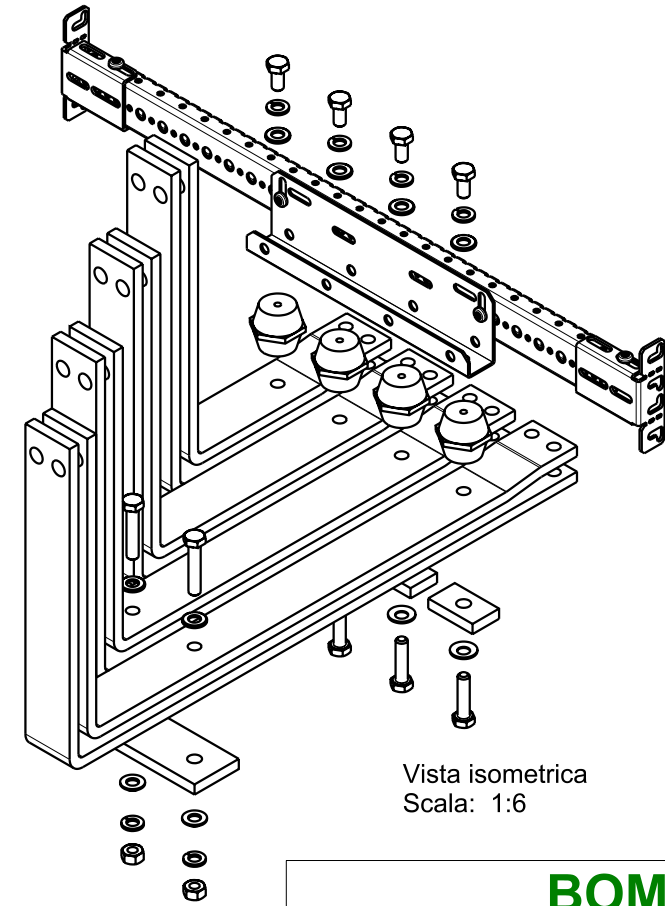


Vista isometrica  
Scala: 1:6

## BOM

POS	DESCRIPTION
1	HEX CAP SCREWS M10x16 - 8.8 (VITE TESTA ESAGONALE M10x16 - 8.8)
2	FLAT WASHER M10 (RONDELLA PIANA M10)
3	SPRING LOCK WASHER M10 (ROSETTA ELASTICA GROWER M10)
4	BRACKET FOR INSULATOR (STAFFA ISOLATORI)
5	INSULATOR H40 M10 (ISOLATORI H40 M10)
6	CUPPER SPACER H10mm (SPESSORE IN RAME H10mm)
7	CONICAL SPRING WASHER M10 (ROSETTE ELASTICHE CONICHE M10)
8	HEX CAP SCREWS M10x__ - 8.8 (VITE TESTA ESAGONALE M10x__ - 8.8)

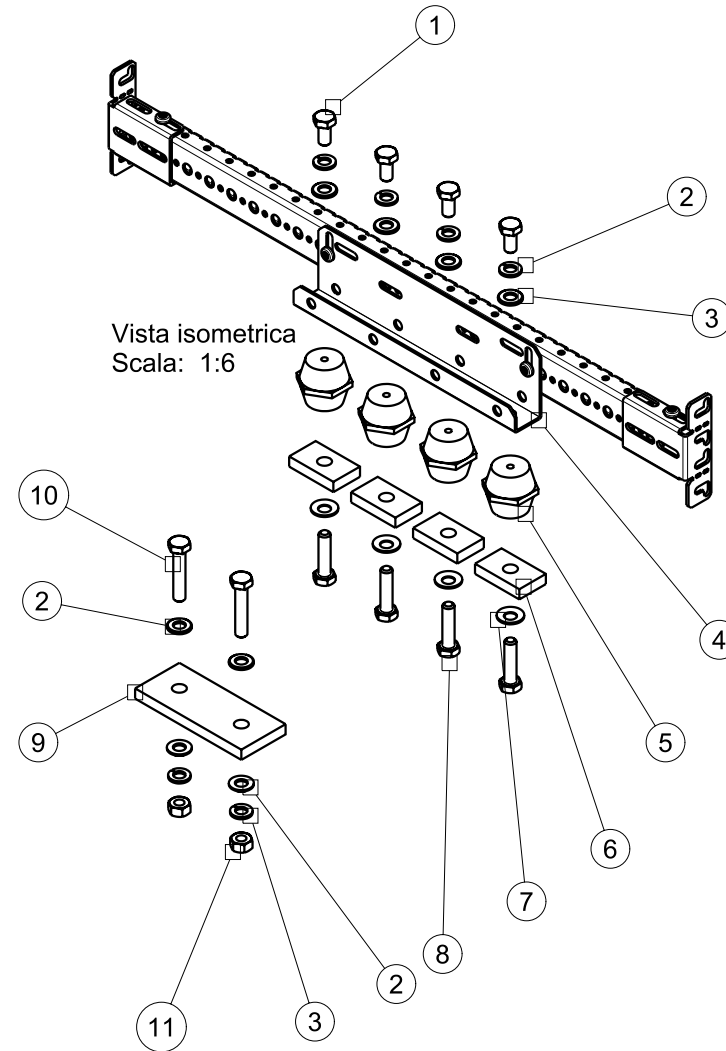
# HOLDER FOR Icw 25-36KA



Vista isometrica  
Scala: 1:6

## BOM

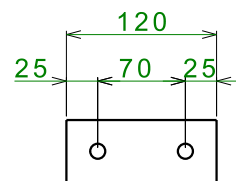
N° PART	DESCRIPTION
1	HEX CAP SCREWS M10x16 - 8.8 (VITE TESTA ESAGONALE M10x16 - 8.8)
2	FLAT WASHER M10 (RONDELLA PIANA M10)
3	SPRING LOCK WASHER M10 (ROSETTA ELASTICA GROWER M10)
4	BRACKET FOR INSULATOR (STAFFA ISOLATORI)
5	INSULATOR H40 M10 (ISOLATORI H40 M10)
6	CUPPER SPACER H10mm (SPESSORE IN RAME H10mm)
7	CONICAL SPRING WASHER M10 (ROSETTE ELASTICHE CONICHE M10)
8	HEX CAP SCREWS M10x__ - 8.8 (VITE TESTA ESAGONALE M10x__ - 8.8)
9	GPO3 PROFILE
10	HEX CAP SCREWS M10x__ - 8.8 (VITE TESTA ESAGONALE M10x__ - 8.8)
11	NUT M10 - (DADO M12)



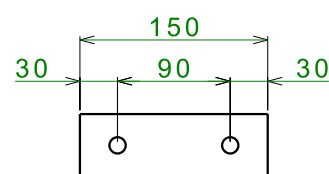
Vista isometrica  
Scala: 1:6

## GPO3 PROFILE

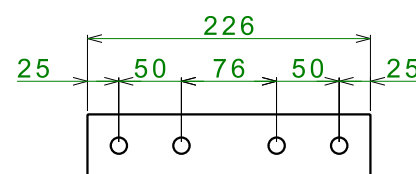
### E1.2 2 PHASE



### E2.2 2 PHASE



### E4.2 2 PHASE



801

FIG.

DIMENSIONI / DIMENSION

PESO / WEIGHT

mm

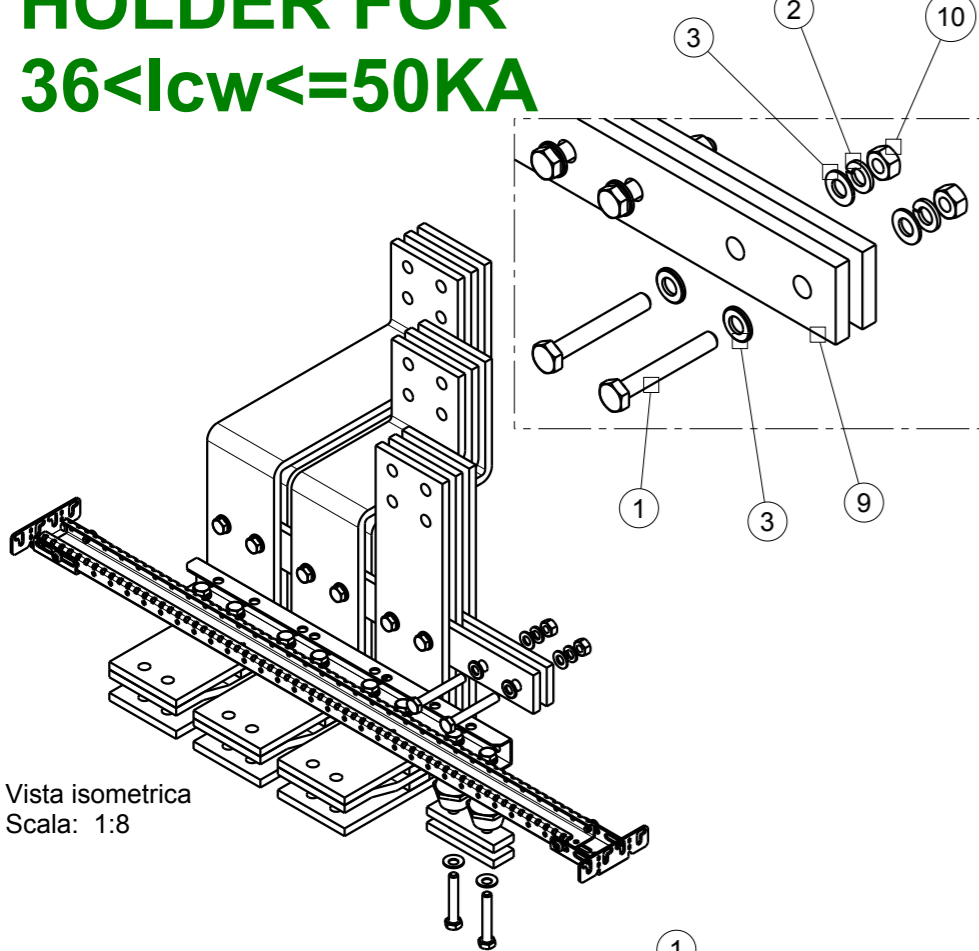
UNITA' DI MISURA / UNITS OF MEASUREMENT

SCALA / SCALE	:	MAT. / MAT. :
DISegnato DA / DRAW BY	:	TRATT. / TREAT :
APPROVAZIONE / APPROVAL	:	PROGETTO N° / PROJECT N° : 142.00
DATA / DATE	: 14.04.2016	<b>ABB</b> <b>ABB SACE ADB</b>
Formato / Format	A3	DESCRIZIONE / DESCRIPTION : ANCORAGGIO BARRE A "L" "L" TYPE CONNECTIONS SUPPORT

DISEGNO N° / DRAWING N°	<b>863876</b>
-------------------------	---------------

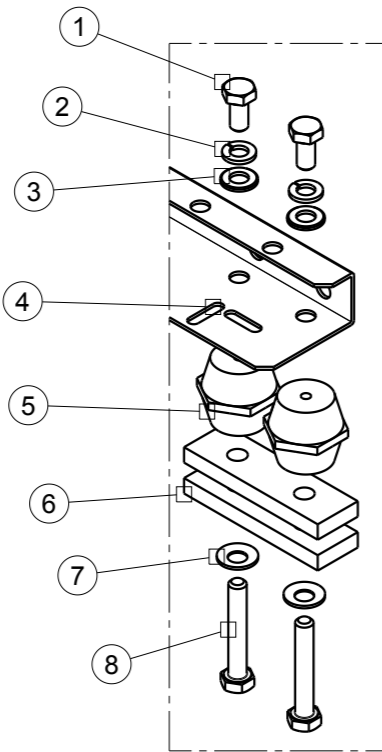
# HOLDER FOR 36<I<sub>cw</sub><=50KA

Vista isometrica  
Scala: 1:8



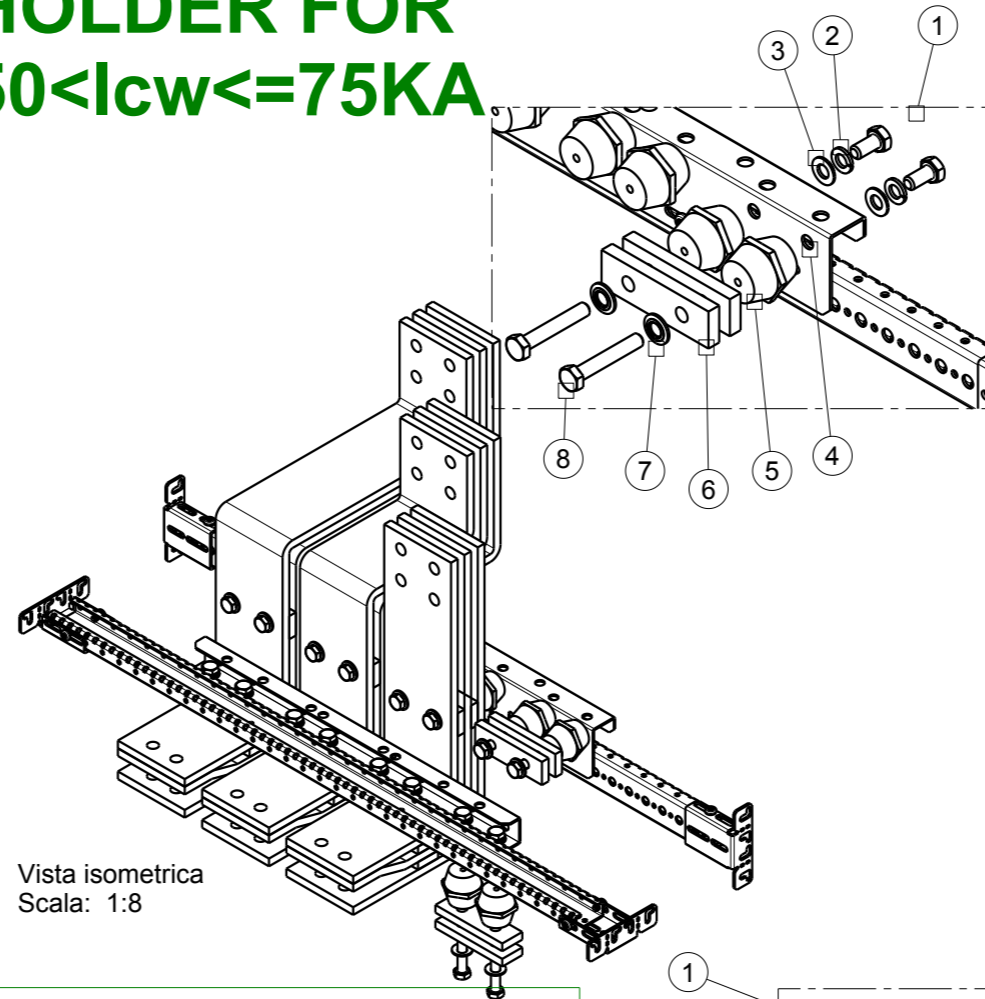
## BOM 36<I<sub>cw</sub><=50KA

POS	DESCRIPTION
1	HEX CAP SCREWS M10x16 - 8.8 (VITE TESTA ESAGONALE M10x16 - 8.8)
2	FLAT WASHER M10 (RONDELLA PIANA M10)
3	SPRING LOCK WASHER M10 (ROSETTA ELASTICA GROWER M10)
4	BRACKET FOR INSULATOR (STAFFA ISOLATORI)
5	INSULATOR H40 M10 (ISOLATORI H40 M10)
6	CUPPER SPACER H10mm (SPESSORE IN RAME H10mm)
7	CONICAL SPRING WASHER M10 (ROSETTE ELASTICHE CONICHE M10)
8	HEX CAP SCREWS M10x__ - 8.8 (VITE TESTA ESAGONALE M10x__ - 8.8)
9	GPO3 PROFILE
10	NUT M10 - DADO M10



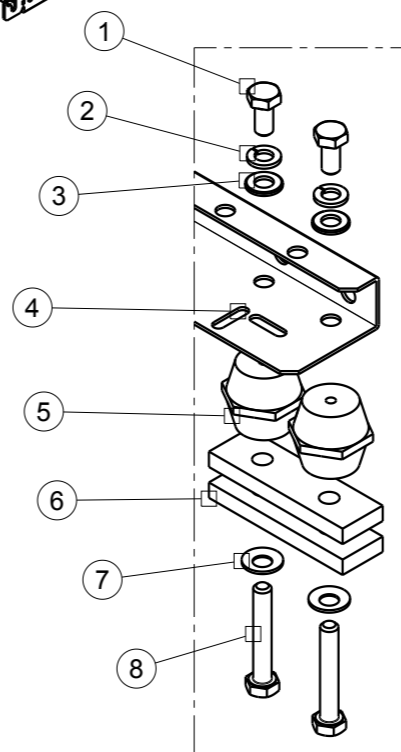
# HOLDER FOR 50<I<sub>cw</sub><=75KA

Vista isometrica  
Scala: 1:8



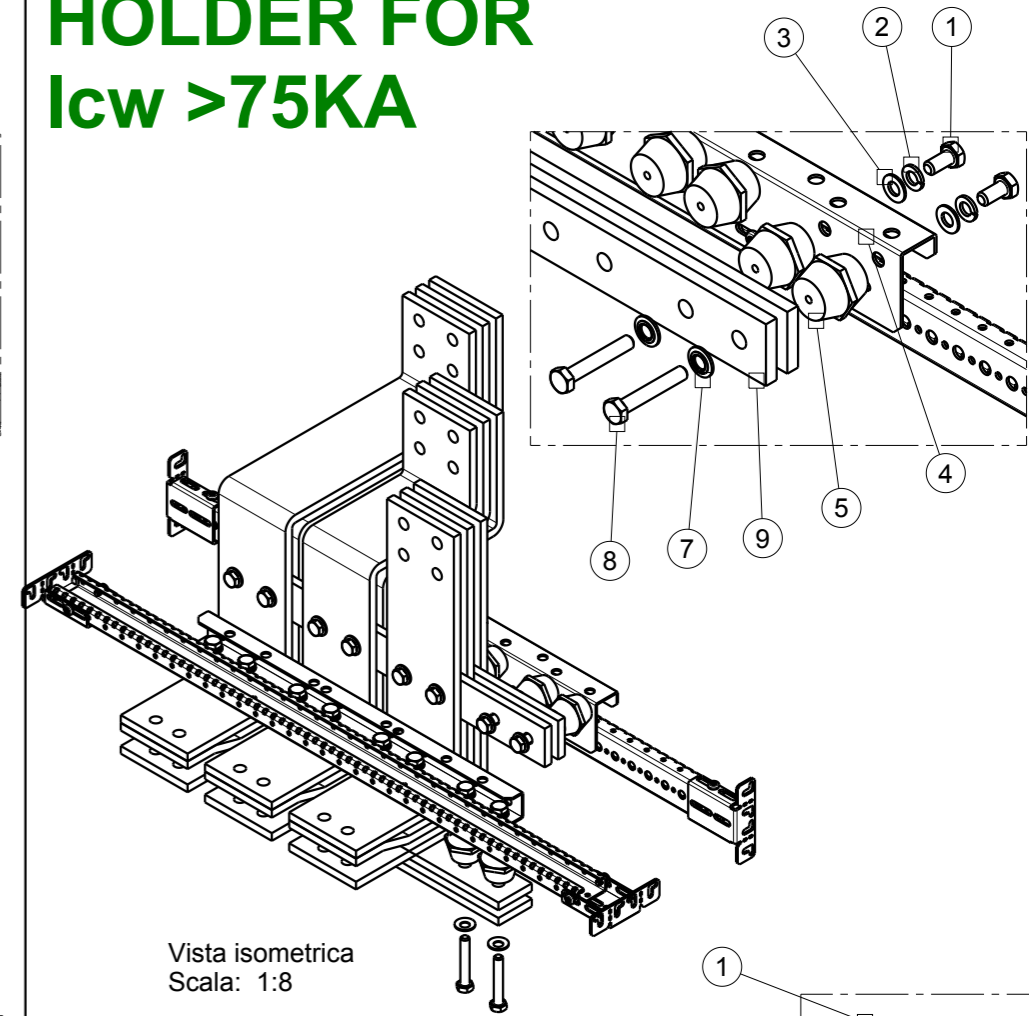
## BOM 50<I<sub>cw</sub><=75KA

POS	DESCRIPTION
1	HEX CAP SCREWS M10x16 - 8.8 (VITE TESTA ESAGONALE M10x16 - 8.8)
2	FLAT WASHER M10 (RONDELLA PIANA M10)
3	SPRING LOCK WASHER M10 (ROSETTA ELASTICA GROWER M10)
4	BRACKET FOR INSULATOR (STAFFA ISOLATORI)
5	INSULATOR H40 M10 (ISOLATORI H40 M10)
6	CUPPER SPACER H10mm (SPESSORE IN RAME H10mm)
7	CONICAL SPRING WASHER M10 (ROSETTE ELASTICHE CONICHE M10)
8	HEX CAP SCREWS M10x__ - 8.8 (VITE TESTA ESAGONALE M10x__ - 8.8)
9	GPO3 PROFILE



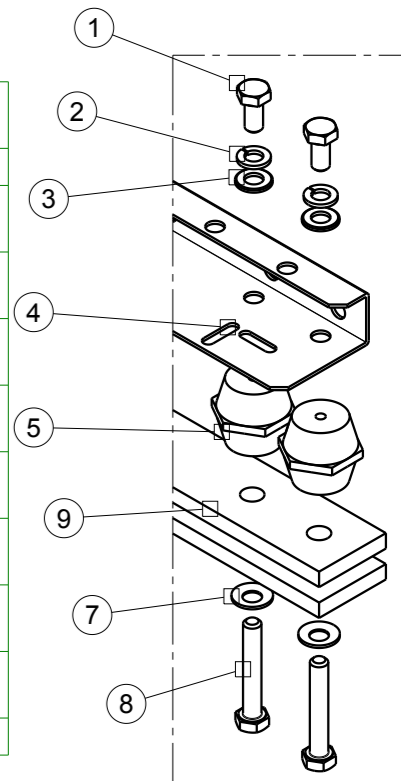
# HOLDER FOR I<sub>cw</sub> >75KA

Vista isometrica  
Scala: 1:8



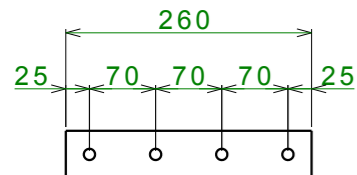
## BOM I<sub>cw</sub>>75KA

POS	DESCRIPTION
1	HEX CAP SCREWS M10x16 - 8.8 (VITE TESTA ESAGONALE M10x16 - 8.8)
2	FLAT WASHER M10 (RONDELLA PIANA M10)
3	SPRING LOCK WASHER M10 (ROSETTA ELASTICA GROWER M10)
4	BRACKET FOR INSULATOR (STAFFA ISOLATORI)
5	INSULATOR H40 M10 (ISOLATORI H40 M10)
6	CUPPER SPACER H10mm (SPESSORE IN RAME H10mm)
7	CONICAL SPRING WASHER M10 (ROSETTE ELASTICHE CONICHE M10)
8	HEX CAP SCREWS M10x__ - 8.8 (VITE TESTA ESAGONALE M10x__ - 8.8)
9	GPO3 PROFILE

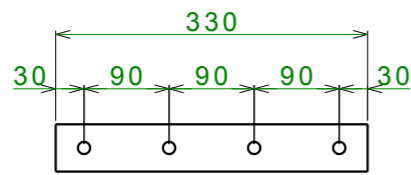


### GPO3 PROFILE

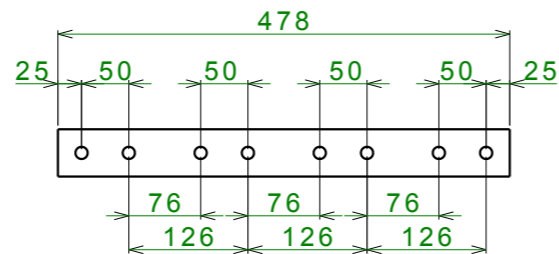
#### E1.2 4P



#### E2.2 4P



#### E4.2 4P



801

FIG.

DIMENSIONI / DIMENSION

PESO / WEIGHT

mm

UNITA' DI MISURA  
UNITS OF MEASUREMENT

AGG. DI SEGNO DISTR. MOD.	SCALA SCALE	MAT. / MAT. :
VERSIONE VERSION	DISEGNATO DA DRAW BY	TRATT. / TREAT :
DATA DATE	APPROVAZIONE APPROVAL	PROGETTO N° : PROJECT N° : 142.00
	Formato Format A3	<b>ABB</b> <b>ABB SACE ADB</b>
		DESCRIZIONE / DESCRIPTION: DIVERSI TIPI DI ANCORAGGIO DIFFERENT TYPES OF SUPPORT

DISEGNO N° / DRAWING N°

**863877**