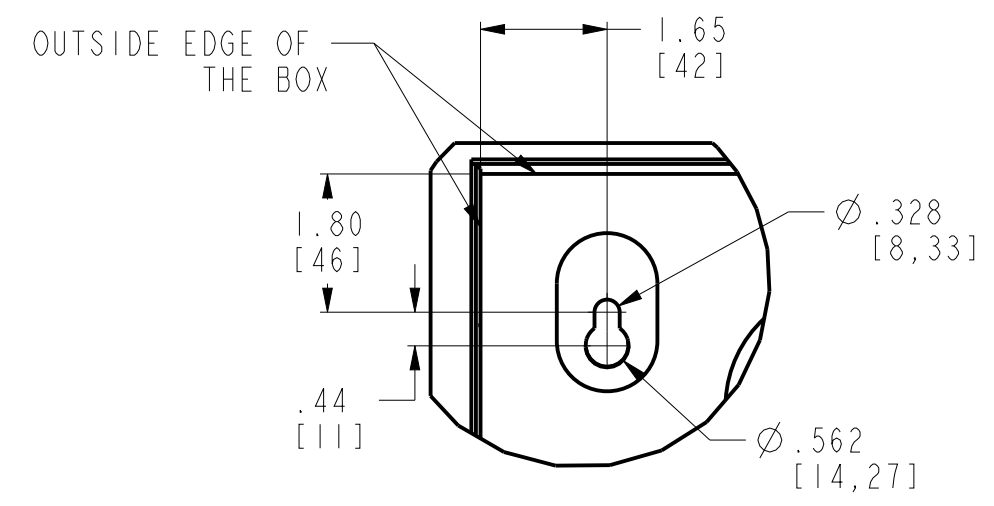
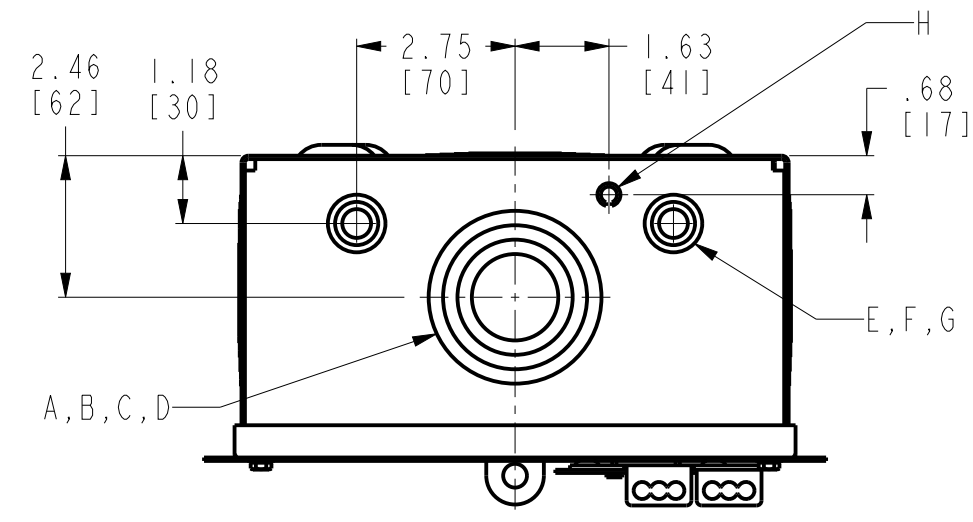


14

13

12

11

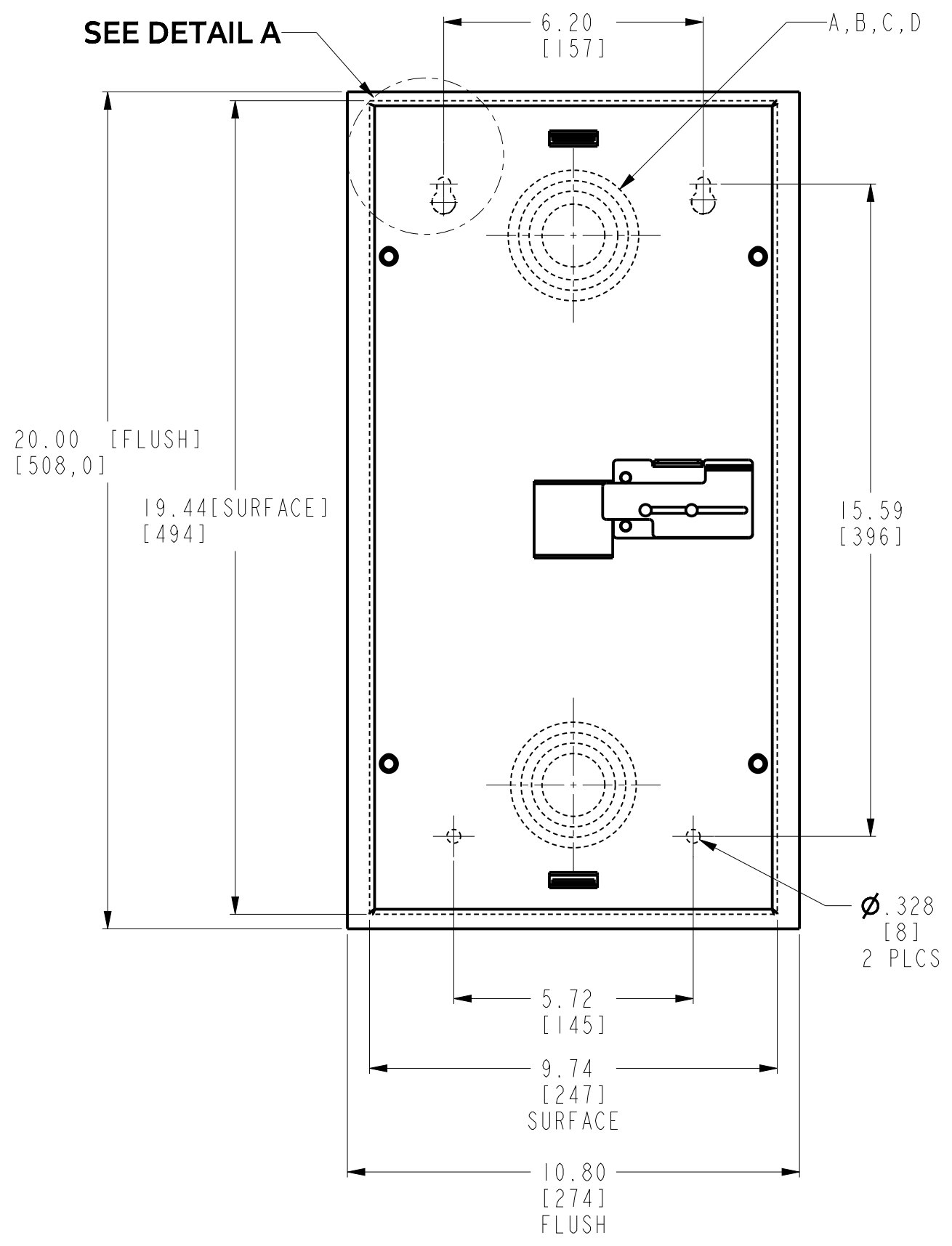
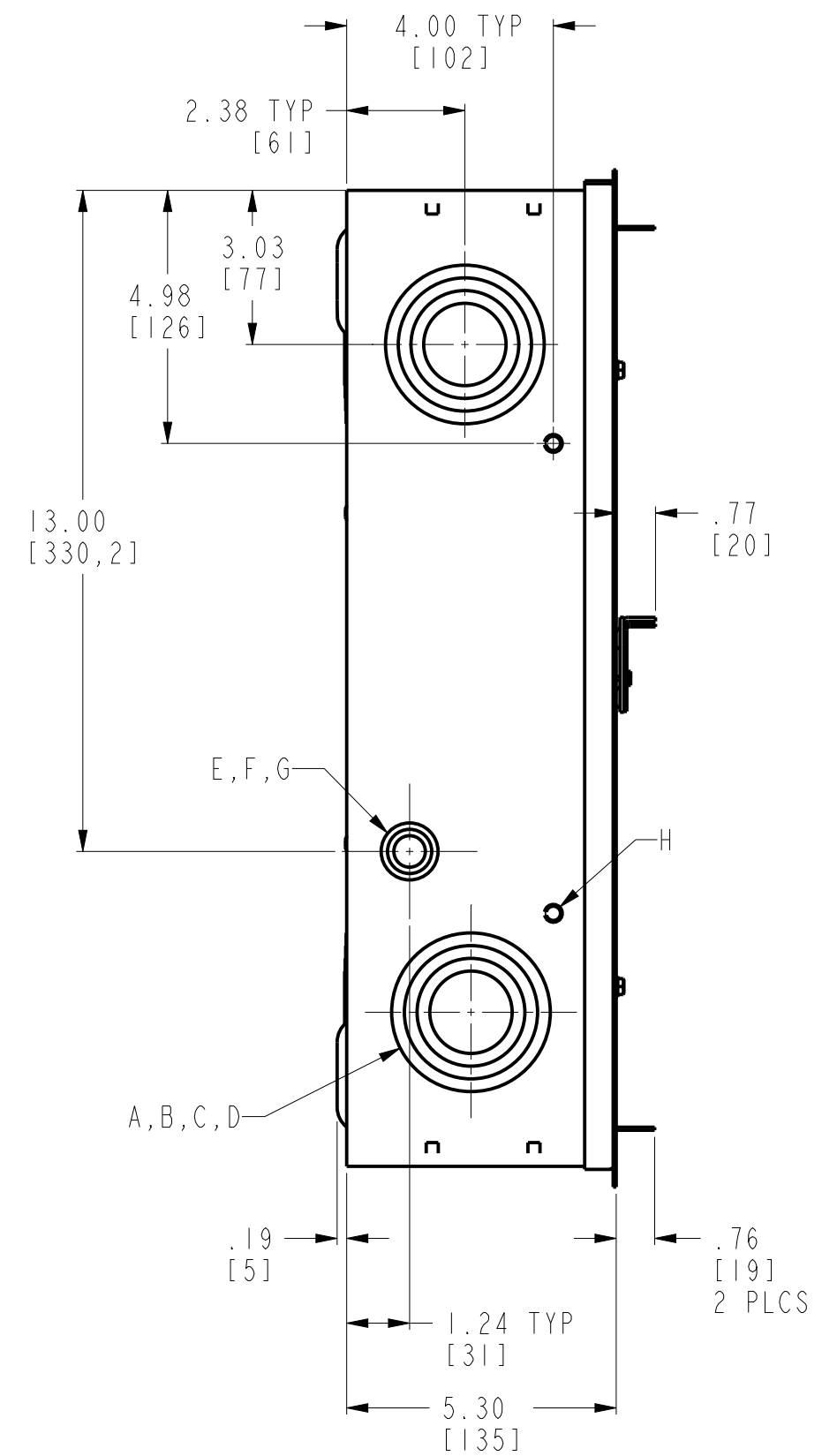


DETAIL A  
2 PLCS

CIRCUIT BREAKER LUG CATALOG DATA				
CIRCUIT BREAKER CAT NO. PREFIX	AMPERE RATING	LUG CATALOG NUMBER		WIRE SIZE (AWG/KCMIL)
XT1	15-125A	KXT1CU-3PC	KXT1CU-4PC	(1) #14-1/0 CU
		KXT1CUAL1-3PC	KXT1CUAL1-4PC	(1) #10-2/0 CU-AL

FIELD INSTALLABLE NEUTRAL ASSEMBLY AND GROUND KIT			
CAT NO. PREFIX	TYPE	AMPERE RATING	WIRE SIZE (AWG/KCMIL)
TGL1	GND KIT	70-125A	(4) #14-8 CU (4) #12-8 AL (3) #14-4 CU (3) #6-4 AL
TNIA225	NEUTRAL ASM	15-125A	(1) #14-1 CU (1) #12-2/0 AL

KNOCKOUTS				
SYMBOLS	CONDUIT SIZE		DIAMETER	
	IN	MM	IN	MM
A	3	76	3 5/8	92
B	2 1/2	64	3	76
C	1 1/2	38	2	51
D	2	51	2 1/2	64
E	1	25	1 3/8	35
F	3/4	19	1 1/8	29
G	1/2	13	7/8	22
H	9/32	7	9/32	7



- NOTES:**
1. MATERIAL: LOW CARBON STEEL
  2. FINISH: ELECTROCOAT ENAMEL, GRAY
  3. AGENCY APPROVAL: cULus LISTED -FILE E11592
  4. SUITABLE FOR USE AS SERVICE EQUIPMENT WHEN NEUTRAL ASSEMBLY IS INSTALLED
  5. THE SHORT CIRCUIT RATING OF THIS ENCLOSED CIRCUIT BREAKER IS EQUAL TO THE INTERRUPTING RATING, AT THE SUPPLY VOLTAGE MARKED ON THE CIRCUIT BREAKER INSTALLED
  6. CONSULT BUYLOG FOR ALTERNATIVE LUGS

DUAL DIMENSIONS INCHES [MILLIMETERS]



OUTLINE DRAWING- NEMA TYPE1 ENCLOSURE  
XT1ENCL125S,XT1ENCL125F

THIRD ANGLE	SHEET#	DWG NO.	DATE	REV
	1 of 1	1SQC930048D0201	18-Jan-22	2

14

13

12

11