

Emax E1 ÷ E6

DOC. N.° 1SDH000520R0001 - L2413

Sostituzione Rating Plug
Changing the rating plug
Austausch des Rating Plug
Replacement Rating Plug
Sustitución Rating Plug

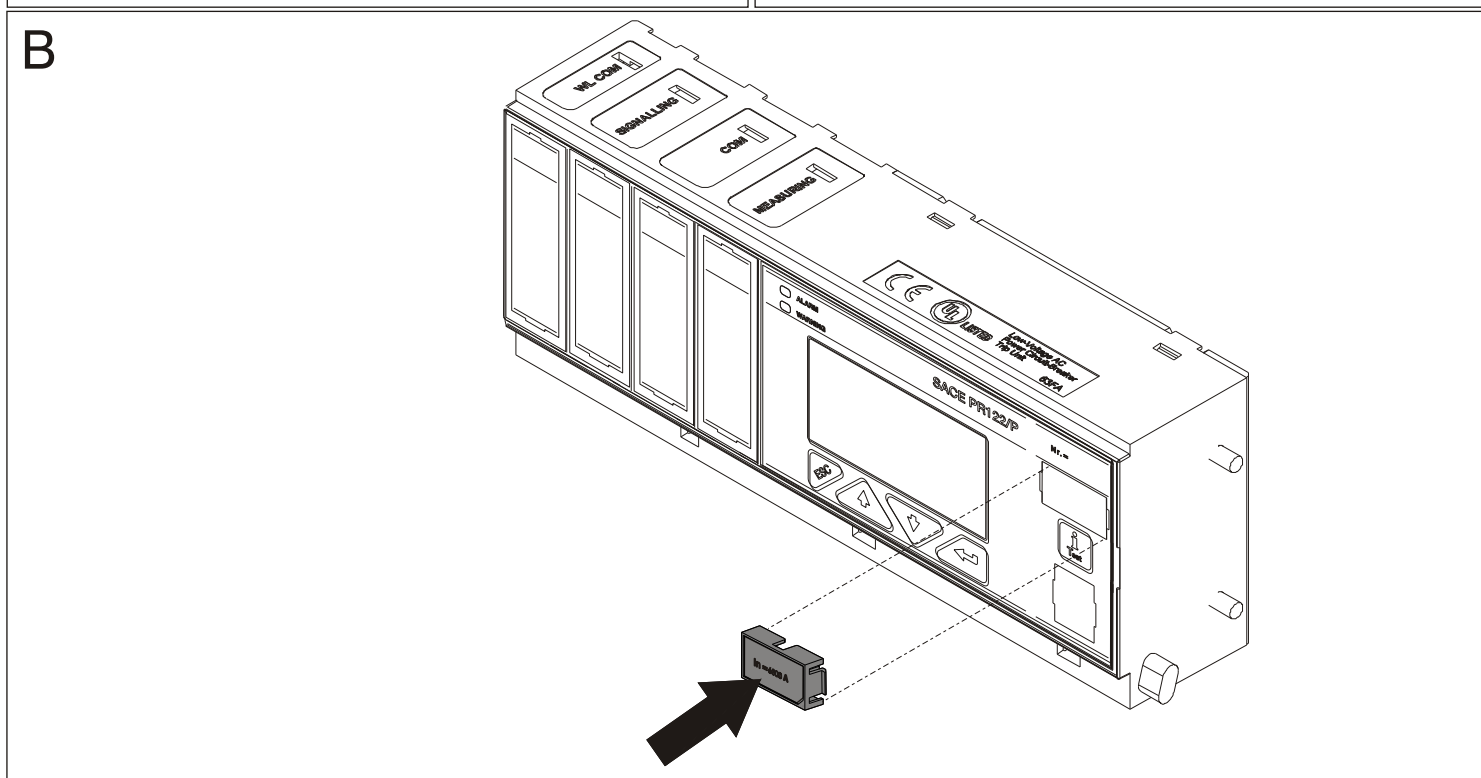
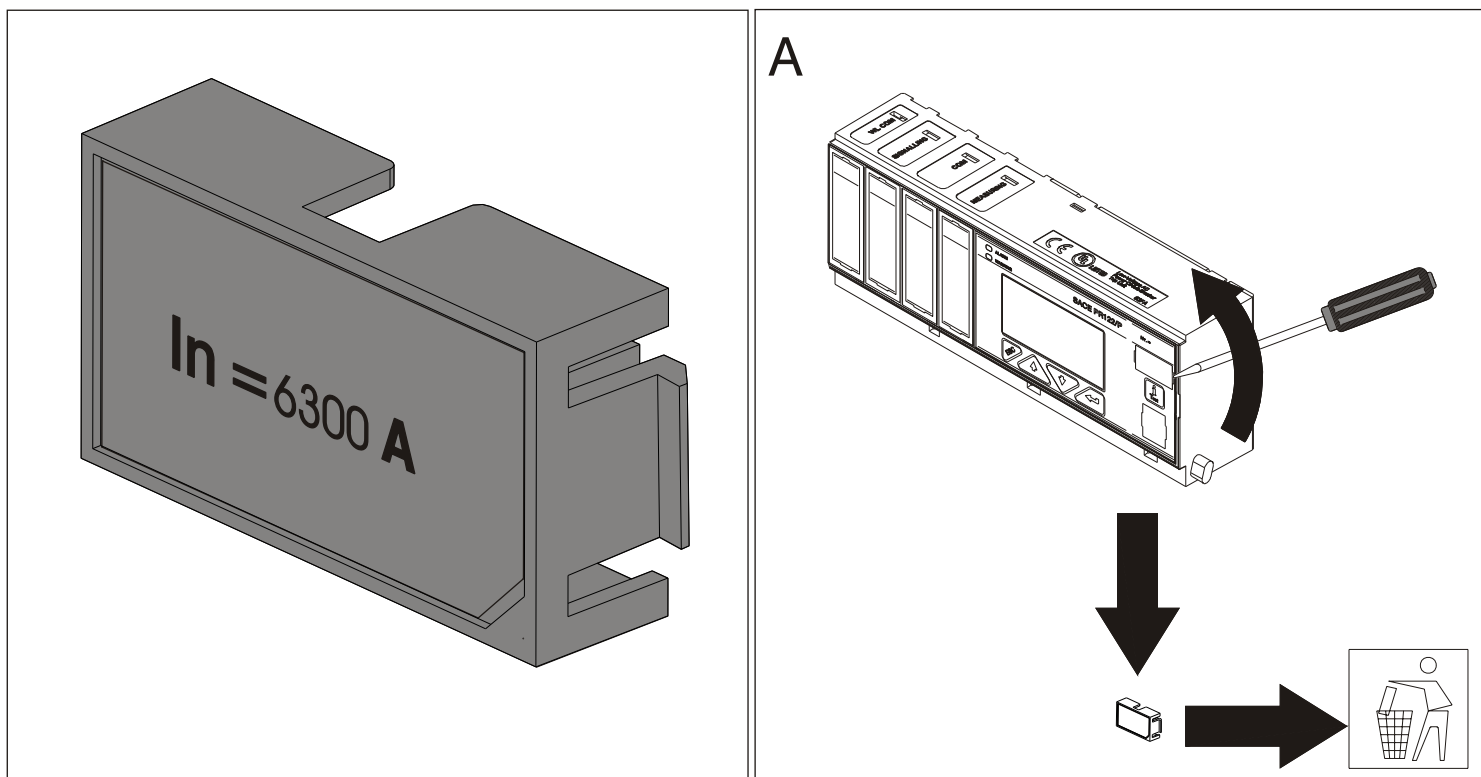


ABB SACE S.p.A.

Via Baioni, 35

24123 Bergamo Italy

Tel.: +39 035 395.111 - Telefax: +39 035 395.306-433

<http://www.abb.com>