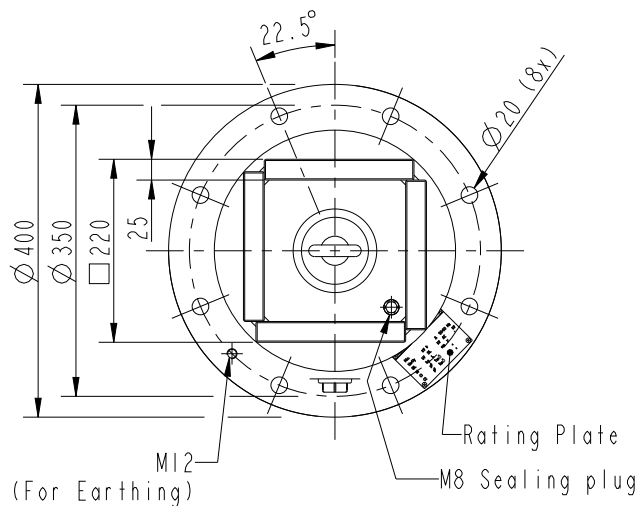
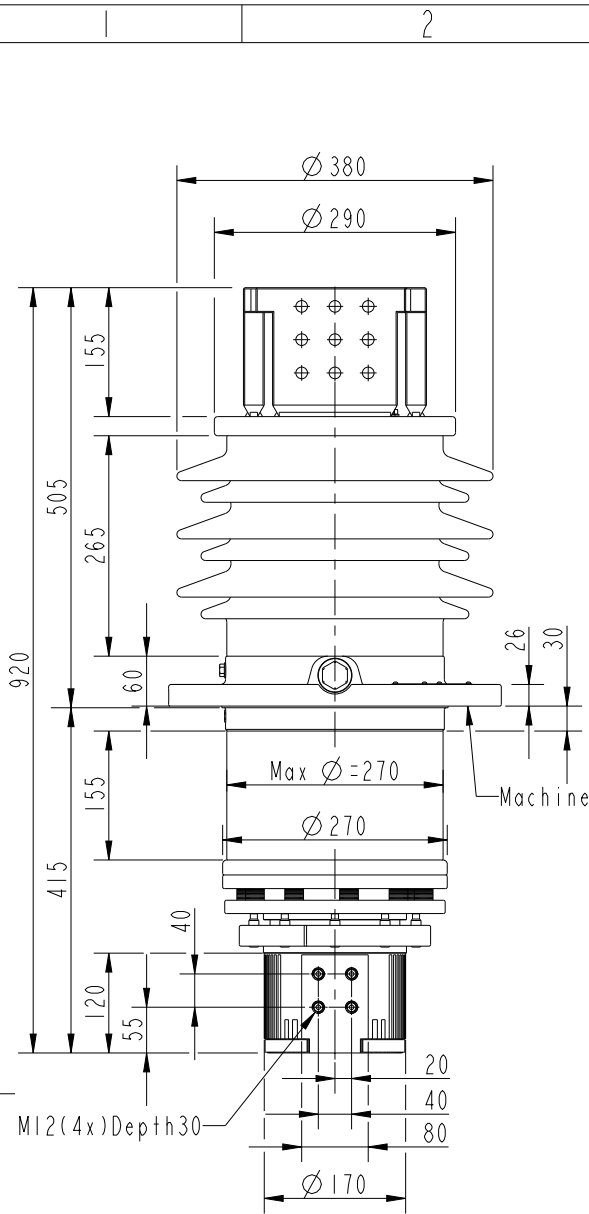
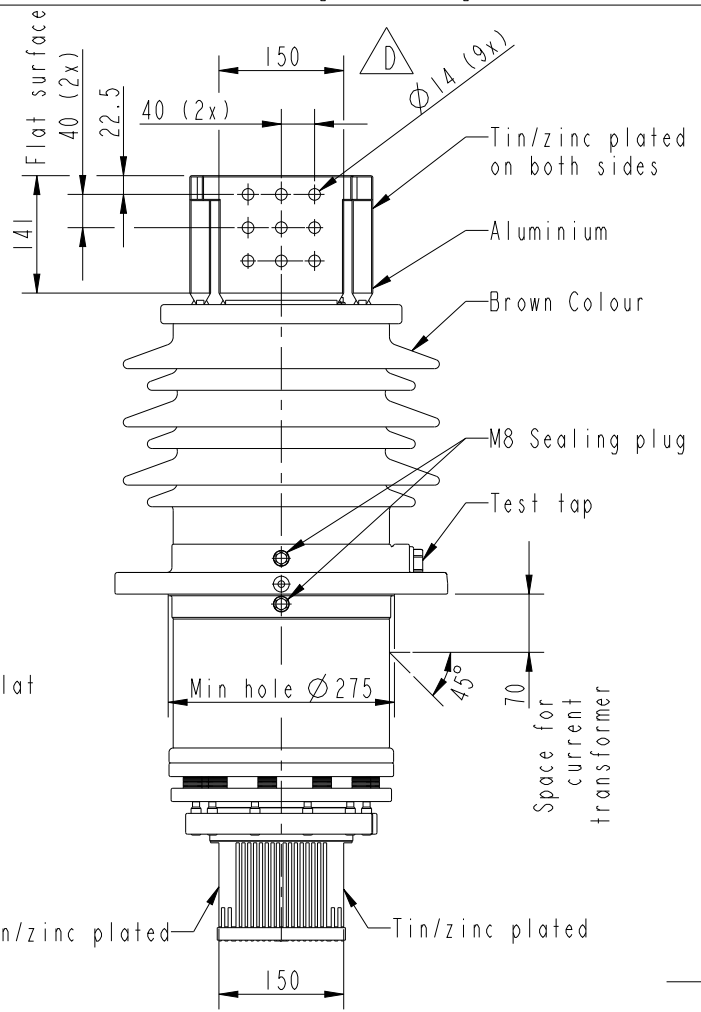


This document is issued by means of a computerized system. The digitally stored original is electronically approved. The approved document has a date entered in the "Approved"-field. A manual signature is not required.

We reserve all rights in this document and in the information contained therein. Reproduction, use or disclosure to third parties without express authority is strictly forbidden.



Revision	Revision Text
D	ANSI values changed, Changed IEC values



Bushing Data	IEC	ANSI
Rated Voltage	36 kV	34,5 kV
Phase-to-ground Voltage	21 kV	22 kV
Dry Lightning Impulse 1.2/50µs	170 kV	200 kV
Wet Power frequency AC	75 kV	75 kV
Routine test Imin dry 50Hz	80 kV	80 kV
Current carrying capacity acc to IZSE2750-107		
Creepage Distance	760 mm	
Mass	100 kg	
Catalogue number LF126007-A		

Approved 2020-09-03	Document Kind Outline Drawing	Based on doc.id	Work order id	Project id
Company ABB Technology Ltd	Title, Supplementary title Bushing GOH 170/10			
Responsible Department SEABB-9AAE300824				
<b>ABB</b>	Document id 2751312-15	Status Released	Revision D	Iteration Iteration
			Sheet 1/1	