

We reserve all rights in this document and in the information contained therein. Reproduction, use or disclosure to third parties without express authority is strictly forbidden. © ABB 19

Pos. Lage	R connects förbinder	H connects förbinder
1		2-20
2		3-20
3		4-20
4		5-20
5		6-20
6		7-20
7		8-20
8		9-20
9	17-18	10-20
10		11-20
11		12-20
12		13-20
13		14-20
14A		15-20
14B		16-20
14		17-20
14C		1-20
14D		2-20
14E		3-20
15		4-20
16		5-20
17		6-20
18		7-20
19	17-19	8-20
20		9-20
21		10-20
22		11-20
23		12-20
24		13-20
25		14-20
26		15-20
27		15-20

A position with letter is a through position and gives the same voltage as the normal position.

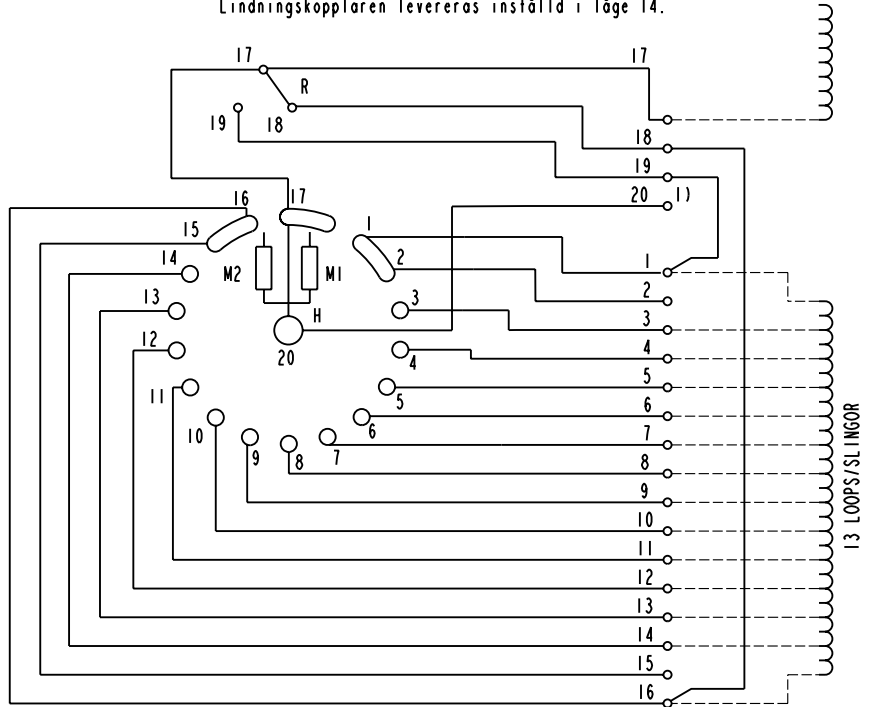
Läge med bokstav är ett genomloppsläge och ger samma spänning som normalläget.

1) Connections between the terminals 20 of the three phases are included in the star-point type.

Förbindningar mellan uttag 20 i de tre faserna ingår i nollpunktsutförandet.

On-load tap-changer type UZER., UZFR., 27 tap positions, plus/minus switching. Min effective No. of turns in pos. 1. The tap-changer is delivered set in pos. 14.

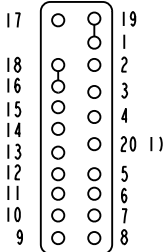
Lindningskopplare typ UZER., UZFR., 27 lägen, plus/minus-koppling. Min antal effektiva varv i läge 1. Lindningskopplaren levereras inställd i läge 14.



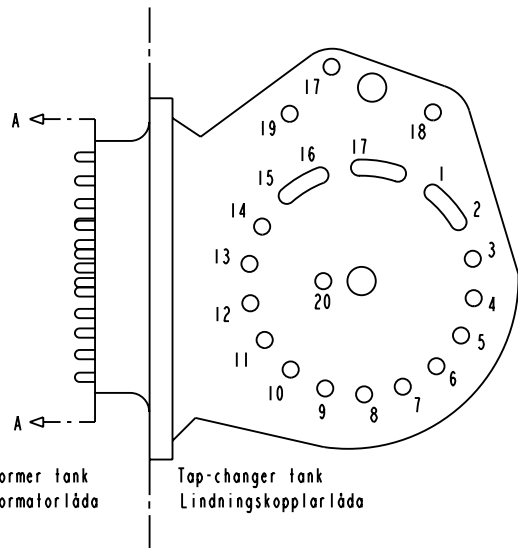
The tap-changer is shown in pos. 14
Lindningskopplaren visad i läge 14

- R Change-over selector Plus/minus-omkopplare
- H Main contact Huvudkontakt
- M1, M2 Transition contacts Motståndskontakter

Terminal board Plint



Section A-A
Sektion A-A



Transformer tank
Transformatorlåda

Tap-changer tank
Lindningskopplarlåda

Sheet	Cont						
Year	Week						
Dept							
Rev In	Revision	Appd	Year	Week			
Accepted by	qual control	Accepted for prod by		Description (English)		DATAORIGINAL	
	R. Yngvesson			CONNECTION DIAGRAM			
Design checked by	B-O. Stenestam	Drawn by	L. Bergman	Description (own language)		File name	
	M. Hedlund	Issued by Dept Year Week		KOPPLINGSSCHEMA		0397-10	
		COM/TKO 97 33				Lang	Sheet
						1	1
						Rev In	Cont
						-	-



Asea Brown Boveri

5492 0397-10