

## Hazardous location battery unit



### Key features and benefits

- Includes the addition of Class II Div 1&2 Groups E, F and G as well as Class III ratings
- Certified Class I Zone 2, Groups IIA, IIB and IIC
- Certified Class I Division 2, Groups A, B, C and D as per CSA C22.2 No.137-M1981
- Certified temperature codes for several types of emergency lamps
- Suited for areas with the risk of flammable gases, vapors or liquids that can create an explosive atmosphere
- Heavy-duty 1/8" thick aluminum back plate with keyholes for secure wall-mount installation
- Two LED lamps, shielded by a cast aluminum housing and a polycarbonate cover
- 6W LED emergency lights provide 100 ft of egress illumination on a 6-foot wide path
- Sealed, maintenance-free, Lead-Calcium batteries with up to 150W emergency power
- Built-in microcontroller-based battery charger and auto-diagnostics circuitry
- 1/2" electrical conduit entry on both sides and at the top
- Auto-testing capabilities (specific load requirements)
- Meets or exceeds CSA C22.2 No.141-15

### CLASSIFICATION

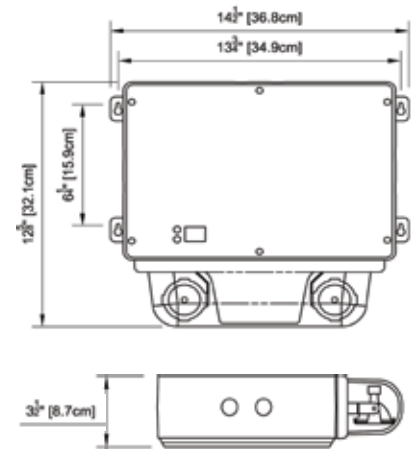
CLASS I	
Division 2	Groups A, B, C, D
CLASS II	
Division 1 & 2	Groups E, F, G
CLASS III	

Contact your ABB sales representative to verify classification

### CERTIFICATIONS



### Dimensions



## Hazardous location remote fixture



### Key features and benefits

- Quality illumination requires fewer fixtures
- Certified Class I Zone 2, Groups IIA, IIB and IIC
- Certified Class I Division 2, Groups A, B, C and D as per CSA C22.2 No.137-M1981
- Temperature Codes: T4, T4A and T5 as per Canadian Electrical Code, Part I and CSA C22.2 No.137-M1981
- Extreme operational temperature range: -40°C (-40°F)
- Choice of single- or double-lamp models
- High-efficacy LED lamps of 4W, 5W and 6W
- Input voltage: 6V, 12V, 24V or 120V
- Fully gasketed die-cast aluminum back plate
- Clear polycarbonate cover, UV and impact resistant
- Easy installation on a 4-inch octagonal box (included)
- Comes standard with tamper-proof screws and bit
- Certified to CSA 22.2 No.141-15

### Dimensions

