

Panel building and system integration solutions

Ready-made accessories to save time and money



Your own cabinet design and assembly is simplified by the capability, simplicity and ease of use provided by ABB's all-compatible ACS880, ACS580, ACH580 and ACQ580 drive modules and accessories.

Easy cabinet integration

Our drive modules enable machine builders, system integrators and panel builders to build drive packages using their own cabinet designs with ABB technology. The drive modules are specifically designed to fit cabinet constructions such as the Rittal TS8 and VX25 cabinet system.

Our offering includes a wide range of modules available as single- and multidrives with either air or liquid cooling. The drive modules come with a range of options including supply units, inverters, braking options, filters, and various I/O and communication options.

Simplified cabinet assembly with accessories

Installing drive modules into Rittal TS8 and VX25 cabinets is made easier with mechanical and electrical accessory kits. In addition, universal assembly kits can be purchased from ABB for use with most other cabinet types available.

It is possible to utilize free of charge on-line support site featuring detailed kit drawings and 3D models to build their own kits.

Available materials can be downloaded by registered users from:
<https://sites-apps.abb.com/sites/lvacdrivesengineeringsupport/content/Pages/Default.aspx>.

For registration, please contact your local ABB.

In addition to mechanical installation, we also provide tools for dimensioning and selecting of auxiliary electrical components.

Dimension and assembly drawings

Dimension drawings are available for all of ABB drives and the accessories. Ready-made drawings help reduce engineering time. The drawings are available in Adobe Acrobat, AutoCAD and in 3D formats.



Save time in design work



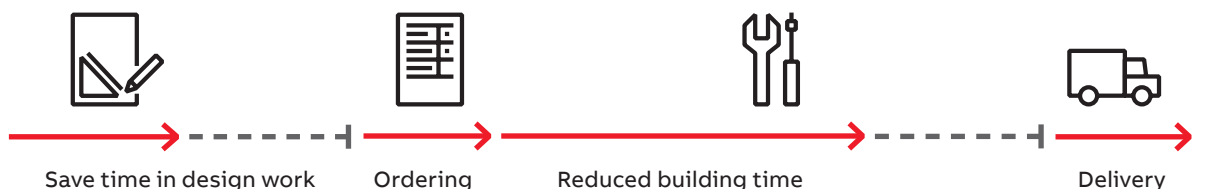
Ordering



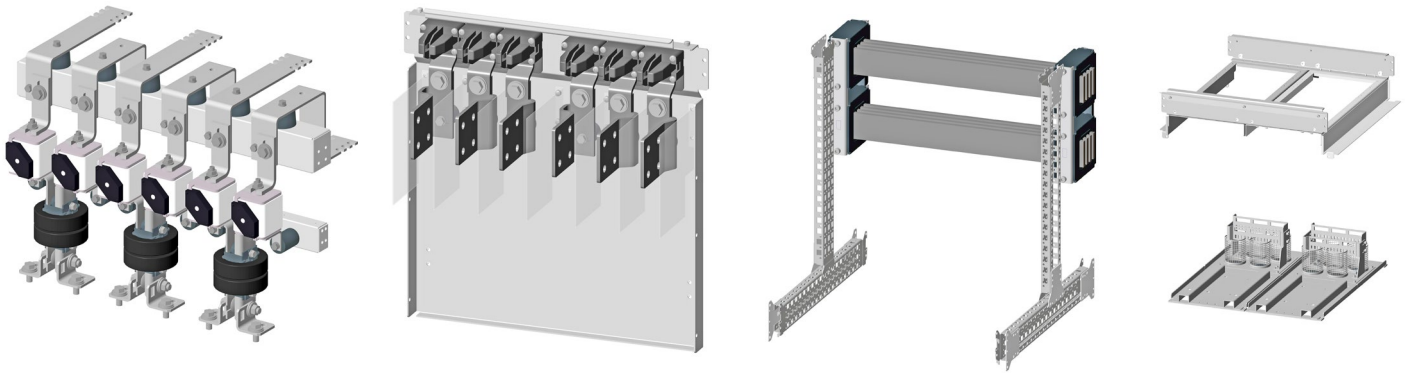
Reduced building time



Delivery



A wide selection of mechanical installation kits is available. The kits are designed for assembly into Rittal TS8 and VX25 cabinets, but they can also be utilized and assembled into any type of commercial cabinet.



Support material	Benefit
Mechanical accessories and part drawings optimized for Rittal TS8 and VX25 cabinets.	Easy and efficient installation. Offers more flexibility in sourcing the mechanical components.
Dimensional and assembly drawings. Accessories drawings are also available as 3D.	Reduces time required for mechanical engineering.
EPLAN electric P8 macros.	Reduces time required for electrical engineering.
Module circuit diagrams, circuit diagram examples for cabinets.	Reduces time required for electrical engineering.
Instructions for assembly of drive modules into cabinets, optimized for Rittal TS8 and VX25 cabinets.	Risk and time reduction in cabinet engineering.
Training material for cabinet assembly of drives.	Risk and time reduction in cabinet engineering.

EPLAN electric P8 macros

EPLAN P8 is widely used software for electrical engineering with most ABB drives included in the EPLAN database. Our EPLAN macros reduce time needed for engineering and provide additional information to the users. The macros are available for the EPLAN P8 users via the EPLAN database.

Circuit diagrams

We have electrical circuit diagrams available for drive modules in AutoCAD and Adobe Acrobat formats thereby making the electrical engineering easier and faster. In addition, there are sample circuit diagrams for various cabinet solutions.

Assembling drive modules into cabinets

Instructions for building the drive modules into the cabinet are available from ABB. While the instructions are optimized for Rittal cabinets, the same principles can be applied to other cabinet designs. The instructions give practical suggestions and guidelines on correct cabinet assembly while ensuring sufficient thermal design, correct EMC design and grounding and ease of servicing.

Integration support for various automation system

In addition to ABB's automation systems we support numerous PLCs providing simple and fast integration.

Training material for cabinet assembly of drives

We offer a wide selection of drives training courses including dimensioning and cabinet assembly. The courses consist of e-learning modules, hands on training and lectures which can be held in either ABB Universities or on the customer's site. The e-learning courses are available via: <https://new.abb.com/drives/services/training>. For ABB authorized and registered partners the relevant courses are available free of charge.

For more information please contact your local ABB representative or visit:

new.abb.com/drives
new.abb.com/drives/drivespartners

We reserve the right to make technical changes or modify the contents of this document without prior notice. With regard to purchase orders, the agreed particulars shall prevail. ABB does not accept any responsibility whatsoever for potential errors or possible lack of information in this document.

We reserve all rights in this document and in the subject matter and illustrations contained therein. Any reproduction, disclosure to third parties or utilization of its contents – in whole or in parts – is forbidden without prior written consent of ABB. Copyright© 2022 ABB. All rights reserved.