

EOHU364K, EOHU365K, EOHU366K NEMA 1, 200 A, 400 A, 600 A



EOHU364K, EOHU365K, EOHU366K

NEMA 1, 200 A, 400 A, 600 A

EOHU Series
Heavy Duty Non-fusible Safety Switches

1

EOHU Serie
Interruptores de seguridad de servicio pesado

2

EOHU Série
Interrupteurs de sécurité pour service intensif

3

EOHU Series

Heavy Duty Non-fusible Safety Switches

General safety instructions	1/2
Receiving, handling and storage	1/3
Applications	1/4
Product overview	1/5
EOHU364K, EOHU365K, EOHU366K	1/5
Ratings	1/6
Heavy duty non-fusible safety switches	1/6
Cabling	1/7
Heavy duty non-fusible safety switches	1/7
Cabling	1/8
Neutral bus and auxiliary contacts	1/8
Installation	1/9
Opening the enclosure	1/9
Knockouts	1/10
Mounting	1/11
Wiring	1/12
Neutral assembly (optional)	1/13
Auxiliary contact (optional)	1/14
Operation	1/15
Operating	1/15
Operating mechanism	1/16
Padlocking handle and door latches	1/18
Dimensional drawings	1/19
EOHU364K, EOHU365K, EOHU366K / NEMA 1 / 200 A, 400 A, 600 A	1/19
Cable outlets / knockouts	1/20
Accessories (optional)	1/21
Ordering information	1/21
Maintenance	1/22
Replacement parts, ordering information	1/22
Installation and maintenance log	1/23

General safety instructions

1 Read these safety instructions carefully before using this product!



DANGER

HAZARD OF ELECTRIC SHOCK, EXPLOSION, OR ARC FLASH

- Apply appropriate personal protective equipment (PPE) and follow safe electrical work practices. See NFPA 70E or CSA Z462.
- This equipment must only be installed and serviced by qualified electrical personnel.
- Before performing visual inspections, tests, or maintenance on the equipment, disconnect all sources of electric power. Assume that all circuits are live unless they are completely deenergized, tested, grounded, and tagged. Pay particular attention to the design of the power system. Consider all sources of power, including the possibility of backfeeding.
- Never operate energized switch with door open.
- Turn off switch before making load side connections.
- Always use a properly rated voltage sensing device at all line to confirm switch is off.
- Turn off power supplying switch before doing any other work on or inside switch.

Failure to follow these instructions will result in death or serious injury.

Receiving, handling and storage

Receiving and handling


Upon receipt, carefully inspect the switch for damage that may have occurred during transit. If damage is evident, or there is visible indication of rough handling, immediately file a damage claim with the transportation company, and notify your local ABB sales office.

Do not remove the shipping package until ready to install the switch.

Storage

If the unit will not be placed into service immediately, store the switch on its original package in a clean, dry location. To prevent condensation, maintain a uniform temperature. Store the unit in a heated building, allowing adequate air circulation and protection from dirt and moisture. Storing the unit outdoors could cause harmful condensation inside the switch enclosure.

1

 WARNING
HAZARD OF EQUIPMENT OVERTURNING When moving with a fork lift, do not remove the shipping package until the device is in its final location.
Failure to follow this instruction will result in personal injury or equipment damage.

Applications

1 The EOHU series non-fusible safety switches are side-operated, 3 pole, 600V UL environmental ratings switches, housed in steel sheet enclosures, available in UL environmental rating TYPE 1 with side-operated handle.

Heavy duty non-fusible safety switches offer the ability to manually open and close a circuit. Products can be used as Disconnecting Means or on the load side of a branch circuit protective device and are suitable for use as motor disconnects.

Catalog numbers:

NEMA 1: EOHU364K, EOHU365K, EOHU366K

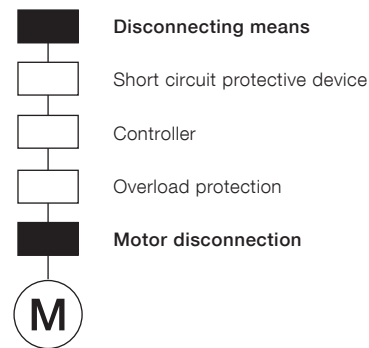
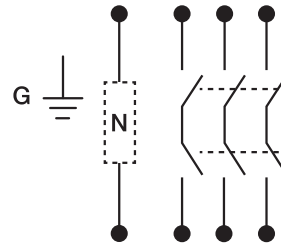
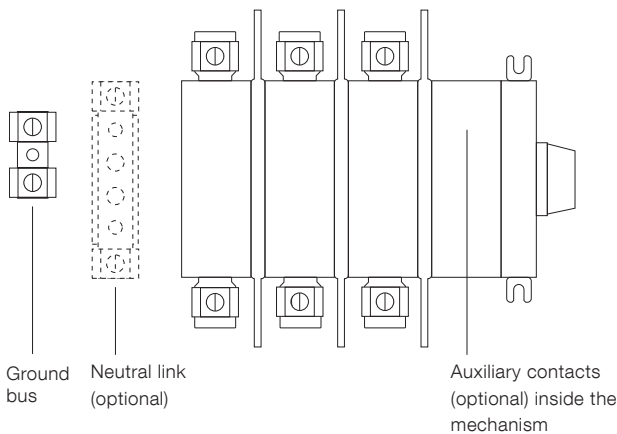
General purpose current ratings: 200 A, 400 A and 600 A

Standards: UL98, UL50, NEMA KS1, CSA

Enclosure material specification: Electrically galvanized steel, polyester powder coating. Thickness: door 0.059 in /1.5 mm (EOH364K/5K) and 0.079 in /2 mm (EOH366K), enclosure 0.059 in /1.5 mm (EOH364K/5K) and 0.079 in /2 mm (EOH366K).

Handle: glass reinforced polyamide (PA f1), polycarbonate (PC f1).

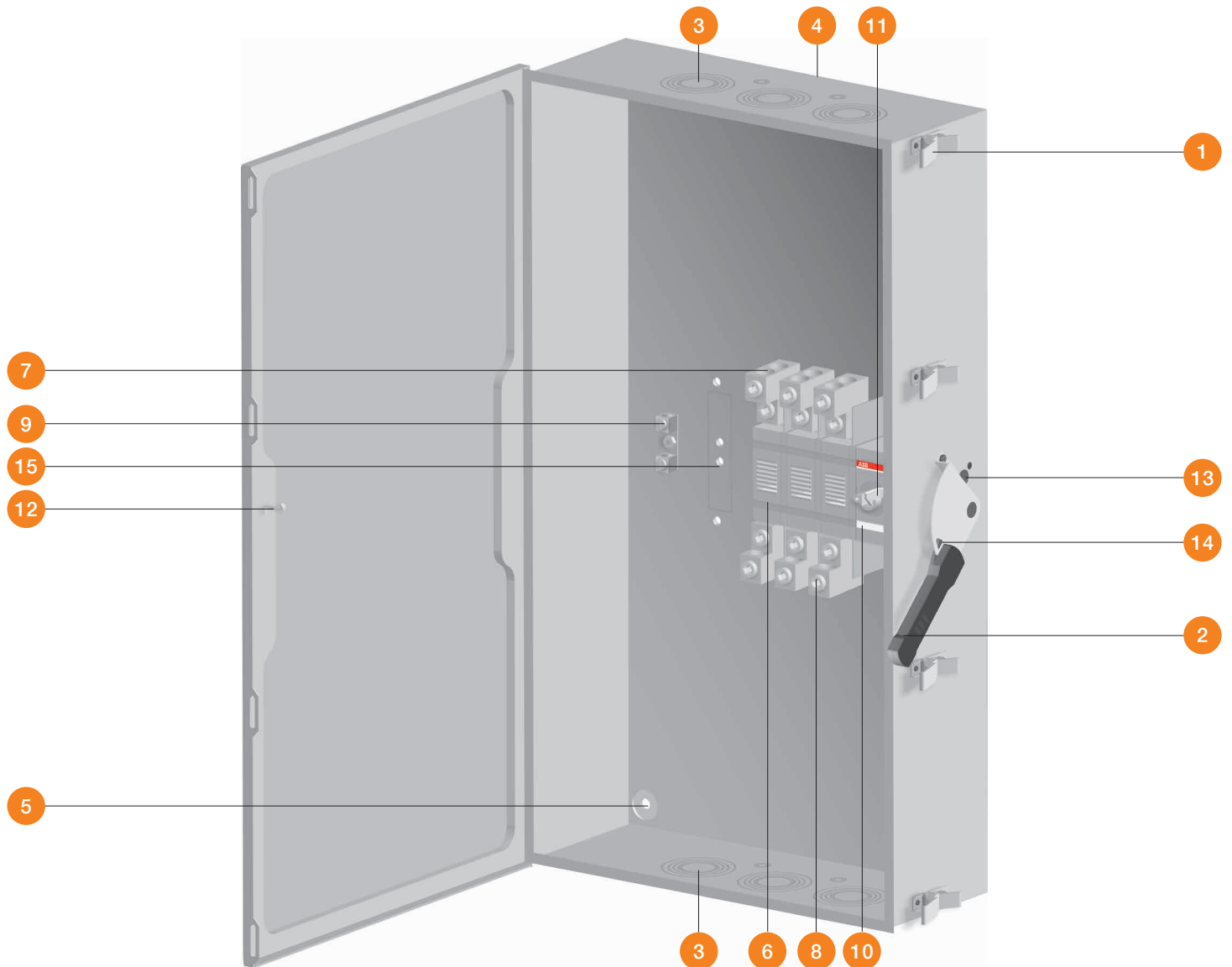
Enclosure color: ANSI 61 (light gray)



The EOHU364K, EOHU365K, EOHU366K non-fusible safety switches up to 600 VAC, 3-ph with the ground bus (included) and the neutral link N (optional)

Product overview

EOHU364K, EOHU365K, EOHU366K



1. Door latches, provision for padlocking
2. Handle
3. Knockouts
4. Keyslot mounting hole
5. Mounting holes (4 pcs)
6. 3-pole switch, double breaking contacts with viewing windows
7. Line side terminal lugs
8. Load side terminal lugs
9. Ground bus (2 lugs)
10. Operating mechanism, inside place for auxiliary contacts (optional)
11. Door interlock mechanism
12. Locking hook for door interlock mechanism
13. Door interlock bypass shaft (Only qualified personnel should perform this procedure)
14. Hole for padlocking the handle (3 padlocks)
15. Place for neutral assembly (optional)

Ratings

Heavy duty non-fusible safety switches

1

Non-fusible safety switch catalog number				EOHU364K	EOHU365K	EOHU366K
AMPS				200	400	600
General purpose current rating			A	200	400	600
Max. horse power rating	Three phase	240 V	HP	60	125	200
		480 V	HP	125	250	400
		600 V	HP	150	350	500
Max. motor FLA current	Three phase	240 V	A	192	360	480
		480 V	A	156	302	477
		600 V	A	144	336	472
Short circuit rating	Class R, J or T fuses	480 V	kA	200	200	200
	Class R fuses	600 V	kA	200	100	200
	Class J or T fuses	600 V	kA	200	200	200
Ground bus						
Ground bus catalog number				OZXG1	OZXG2	OZXG2
Temperature rating			°F	167	167	167
			°C	75	75	75
Auxiliary contacts, optional						
Suitable auxiliary contacts		Function	1NO	OA1G10	OA1G10	OA1G10
			1NC	OA3G01	OA3G01	OA3G01
Nema ratings, AC				AC600	AC600	AC600
AC rated voltage			VAC	600	600	600
AC rated thermal current			A	10	10	10
AC maximum volt-ampere making			VA	7200	7200	7200
AC maximum volt-ampere breaking			VA	720	720	720
Nema ratings, DC				R300	R300	R300
DC rated voltage			VDC	300	300	300
DC rated thermal current			A	1	1	1
DC maximum make-break			VA	28	28	28

Cabling

Heavy duty non-fusible safety switches

Cabling / Non-fusible safety switches

Cable entry/exit locations: Top entry-bottom exit.

Cable entry/exit through top/bottom endwalls maximize the cable bending area. All cable entry/exit must be in accordance with the National Electrical Code and all other local codes. Use 3/8 (for 200 A) or 1/2 (for 400 A and 600 A) Hex key / wrench. See chapter Wiring.



WARNING

To avoid hazard of electric shock, turn off and lock out all power sources before installing or performing maintenance on this equipment.

Non-fusible safety switch catalog number		EOHU364K	EOHU365K	EOHU366K
AMPS		200	400	600
Line side terminal lugs				
Terminal lug		OZXA-400	OZXA-800	OZXA-800
Torque: wire tightening for Cu and Al cables	lbs.in	375	500	500
	Nm	41.8	55.7	55.7
Lug mounting torque	lbs.in	228	480	480
	Nm	25.4	53.5	53.5
Wire range	kcmil	#2 - 250	(2) #2 - 500	(2) #2 - 600
	mm ²	35 - 120	2 × 35 - 240	2 × 35 - 300
Load side terminal lugs				
Terminal lug		OZXA-400	OZXA-800	OZXA-800
Torque: wire tightening for Cu and Al cables	lbs.in	375	500	500
	Nm	41.8	55.7	55.7
Lug mounting torque	lbs.in	228	480	480
	Nm	25.4	53.5	53.5
Wire range	kcmil	#2 - 250	(2) #2 - 500	(2) #2 - 600
	mm ²	35 - 120	2 × 35 - 240	2 × 35 - 300
Ground bus (2 lugs)				
Screwdriver		Slot	5/16" Hex	5/16" Hex
Ground bus catalog number		OZXG1	OZXG2	OZXG2
Torque: wire tightening for Cu and Al cables	lbs.in	50	275	275
	Nm	5.6	31.1	31.1
Maximum stud mounting torque	lbs.in	72	72	72
	Nm	8.1	8.1	8.1
Wire range	AWG	#14 - 2	#6 - 250 kcmil	#6 - 250 kcmil
	mm ²	2.5 - 35	10 - 120	10 - 120

Cabling

Neutral bus and auxiliary contacts

1 Cabling / Neutral bus (optional)

In 200 A switches use Hex key / wrench size 3/8 and in 400A and 600 A switches use 1/2 Hex key / wrench. See chapter Installation / Neutral assembly (optional).

Non-fusible safety switch catalog number			EOHU364K	EOHU365K	EOHU366K
AMPS	A		200	400	600
Suitable neutral bus, catalog number			EOHXS4	EOHXS56	EOHXS56
Neutral bus / terminal lugs					
Terminal lug			OZXA-400	OZXA-800	OZXA-800
Torque: wire tightening	Copper	lbs.in	375	500	500
		Nm	41.8	55.7	55.7
Torque: wire tightening	Aluminum	lbs.in	375	500	500
		Nm	41.8	55.7	55.7
Lug mounting torque		lbs.in	228	480	480
		Nm	25.4	53.5	53.5
Wire range		AWG	#2 - 600 kcmil	(2) #2 - 600 kcmil	(2) #2 - 600 kcmil
		mm ²	35 - 300	2×35 - 300	2×35 - 300

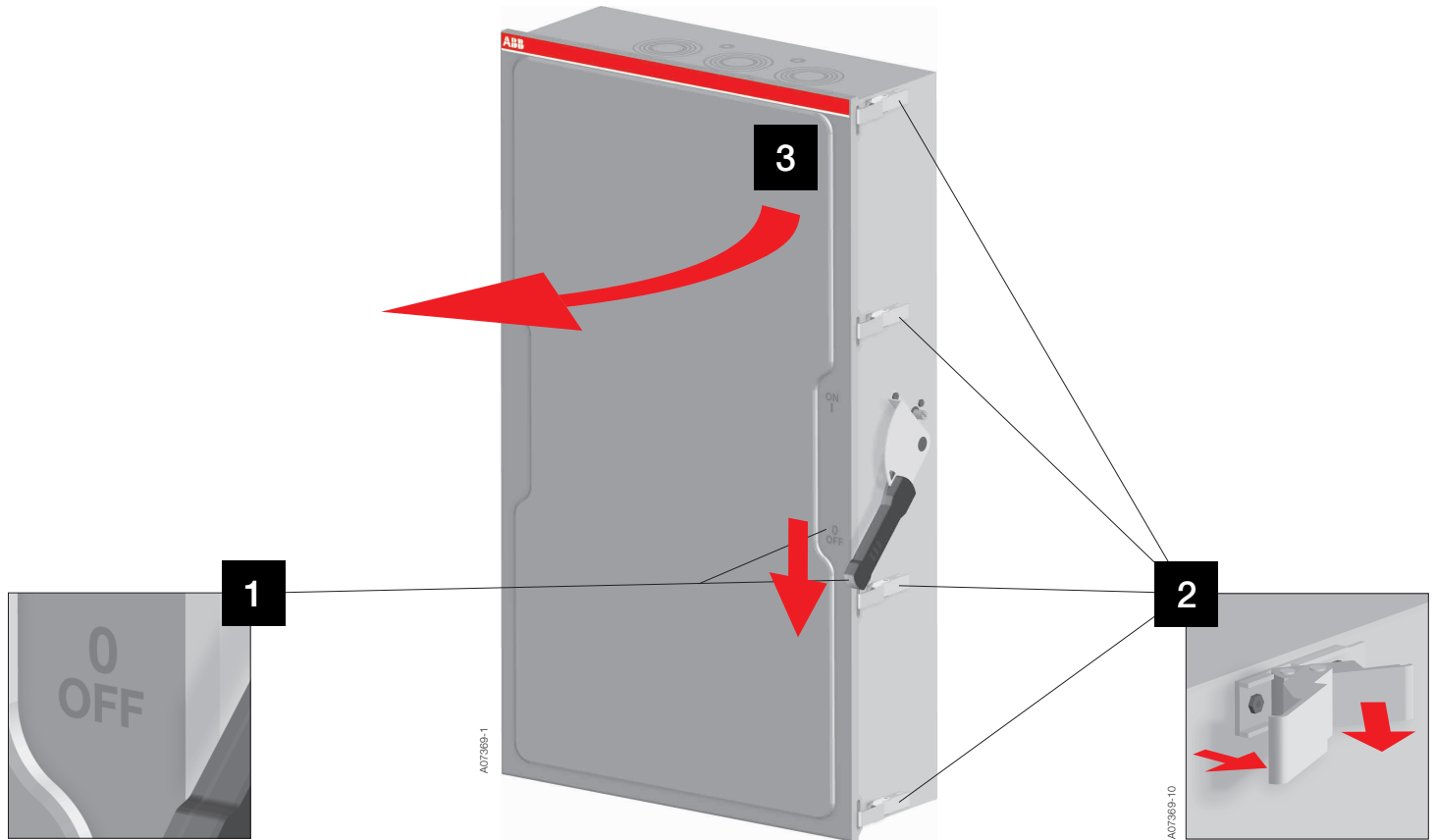
Cabling / Auxiliary contacts (optional)

Use Pozi-drive #2 or flat blade screwdriver. See chapter Installation / Auxiliary contacts (optional).

Auxiliary contacts, catalog numbers OA1G10 (1NO), OA3G01 (1NC)	
NEMA	A600, R300
Wire size	1 - 2 × #18 - 14 AWG
	1 - 2 × 0.75 - 2.5 mm ²
Torque	7 lbs.in
	0.78 Nm

Installation

Opening the enclosure



Opening of the enclosure

Operate switch to the OFF-position and open the door latches according to the picture. Open the enclosure.



CAUTION

HAZARD OF INJURY OR EQUIPMENT DAMAGE

Do not in any circumstances bend or twist the locking hook fixed on the door. Wrong position of the door hook causes the malfunction of the locking mechanism that may result in personal injury or equipment damage.

Failure to follow these instructions can result in injury or equipment damage.



DANGER

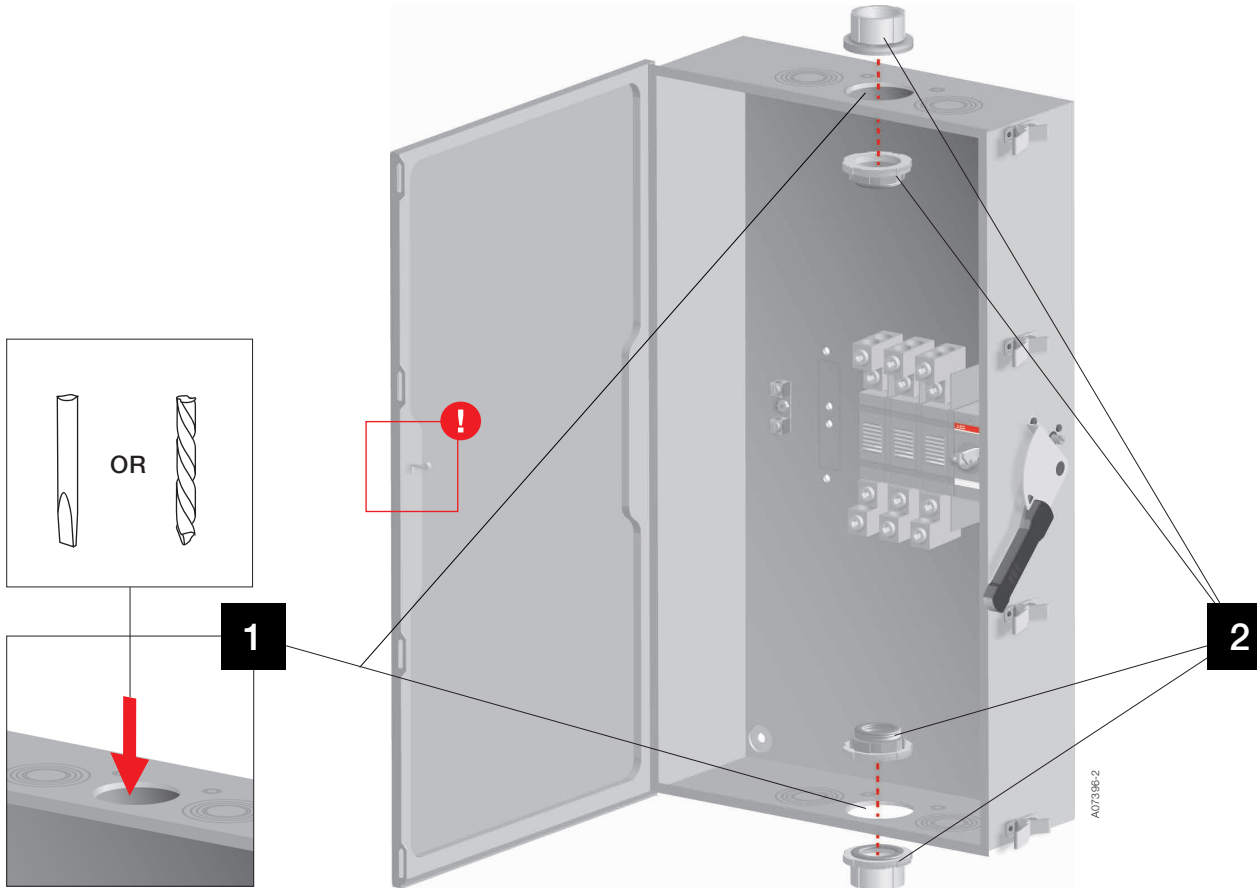
HAZARD OF ELECTRIC SHOCK, EXPLOSION, OR ARC FLASH

See general safety instructions on page 1/2 before proceeding.

Failure to follow these instructions will result in death or serious injury.

Installation Knockouts

1



Cable entry/exit, the knockouts for conduit hubs

The concentric knockouts for conduit hubs are provided in the top and bottom of the enclosure. Choose the size and amount needed. Install the conduit hubs. Check all parts for possible metal shavings. Remove any shavings.

Catalog number	Cable entry/exit knockouts, top and bottom	
	[ø inch]	[ø mm]
EOHU364K	3×(ø2.5+ø2+ø1.5+ø1.25+ø0.79)+ ø0.25+ø0.9	3×(ø63.5+ø50.8+ø38.1+ø31.75+ø20)+ ø6.35+ø22.4
EOHU365K	3×(ø3.5+ø3+ø2.5+ø2+ø1.57)+2× (ø0.75+ø0.5)	3×(ø88.9+ø76.2+ø63.5+ø50.8+ø40)+ 2×(ø19.05+ø12.7)
EOHU366K	4×(ø3.5+ø3+ø2.5+ø2+ø1.57)+2× (ø0.75+ø0.5)	4×(ø88.9+ø76.2+ø63.5+ø50.8+ø40)+ 2×(ø19.05+ø12.7)

! CAUTION

The enclosure has to maintain the NEMA classification when installing cable entry/exit. It is not allowed to do any other extra holes except cable entry/exit to the enclosure. No responsibility is assumed by ABB for any consequences arising out of the installing of cable entry/exit or if any other extra holes done to the enclosure.

! CAUTION

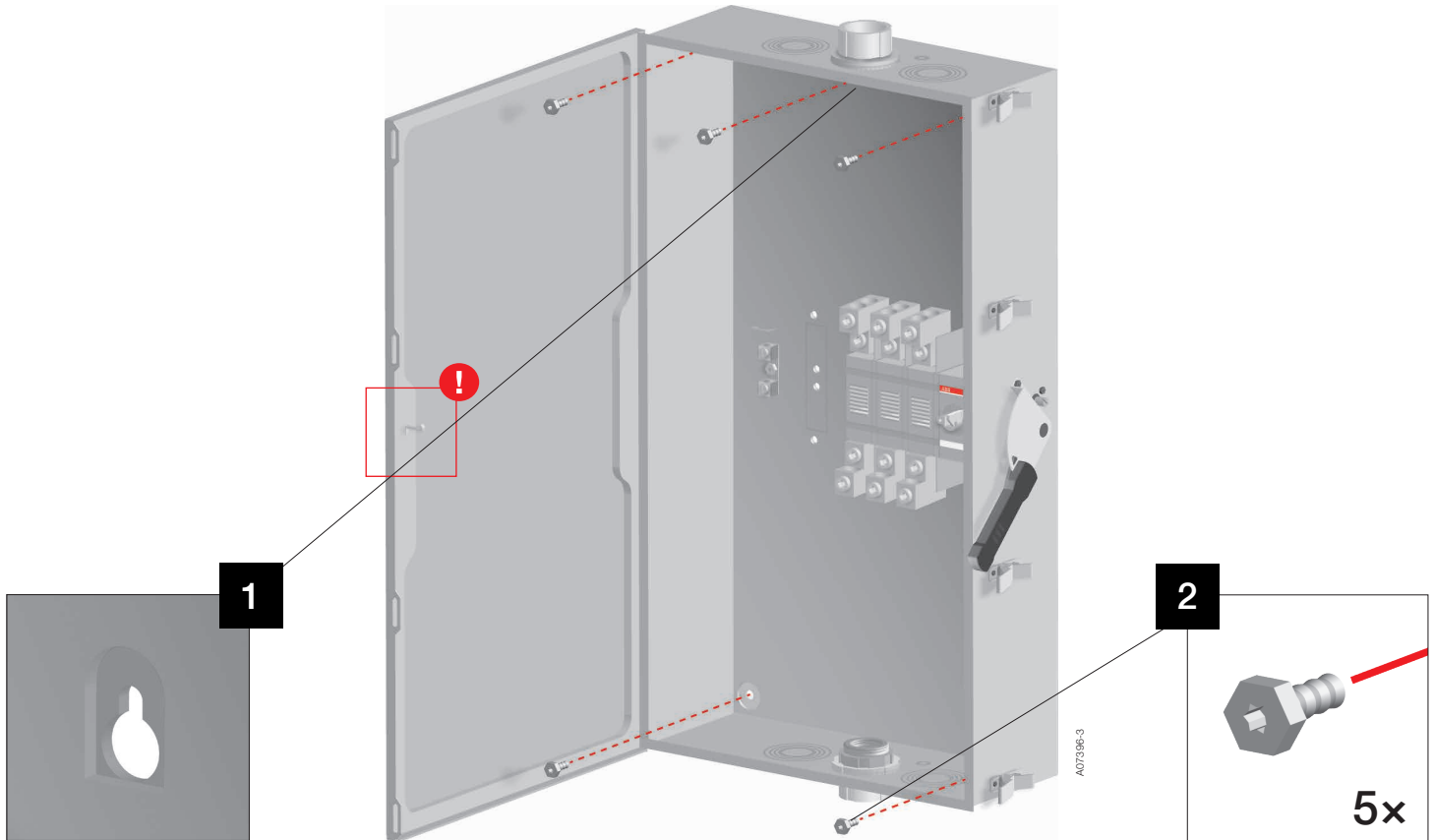
HAZARD OF INJURY OR EQUIPMENT DAMAGE

Do not in any circumstances bend or twist the locking hook fixed on the door. Wrong position of the door hook causes the malfunction of the locking mechanism that may result in personal injury or equipment damage.

Failure to follow these instructions can result in injury or equipment damage.

Installation Mounting

1



Mounting the safety switch on the wall or other supporting structure

Mount the safety switch using (2) 3/16" and (2) 5/16" screws.
Note: Use the keyslot mounting hole to hang the enclosure while securing the other mounting screws. Verify that the load-carrying capacity of mounting wall or supporting structure is sufficient in relation to the weight, size and way of fixing of safety switch and in accordance with local requirements.

Anchorage:

- wall-mounted
- mount cabinet on flat surface to avoid distortion
- use shims if necessary



CAUTION

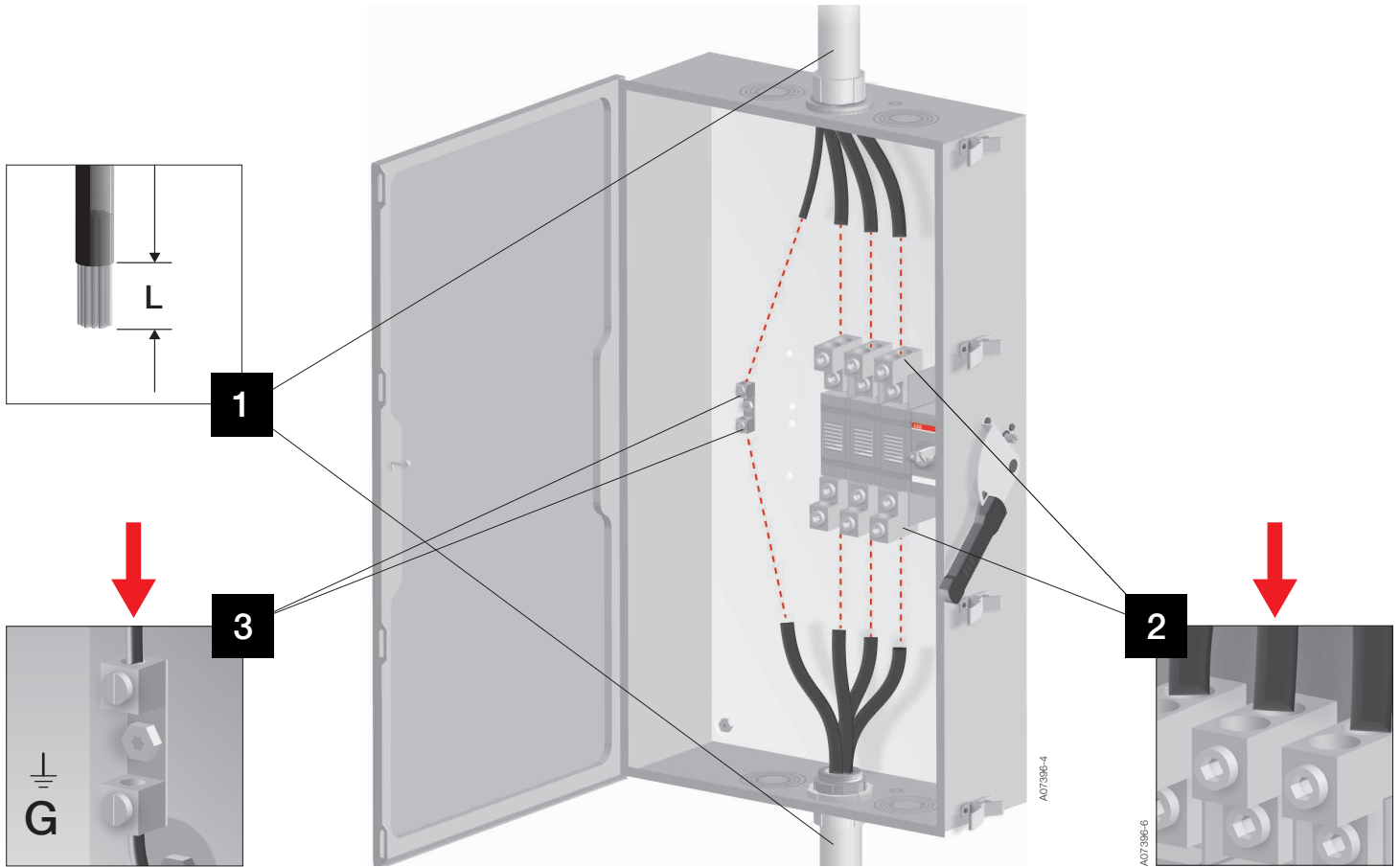
HAZARD OF INJURY OR EQUIPMENT DAMAGE

Do not in any circumstances bend or twist the locking hook fixed on the door. Wrong position of the door hook causes the malfunction of the locking mechanism that may result in personal injury or equipment damage.

Failure to follow these instructions can result in injury or equipment damage.

Installation Wiring

1



Wiring

Connect the power wires to the switch terminals and connect the ground wire to the ground terminal block inside the enclosure. Reference the National Electric Code and all local codes for appropriate wire size and grounding requirements. See chapter Cabling. All cables must have 167 °F / 75 °C minimum rating.

Switch terminals are not intended to support the weight of the cables, so installer must provide adequate cable support. To avoid placing a strain on the line and load terminals, bend the cable carefully. Undue strain may cause terminal distortion and adversely affect the performance of the switch.



DANGER

HAZARD OF ELECTRIC SHOCK, EXPLOSION, OR ARC FLASH

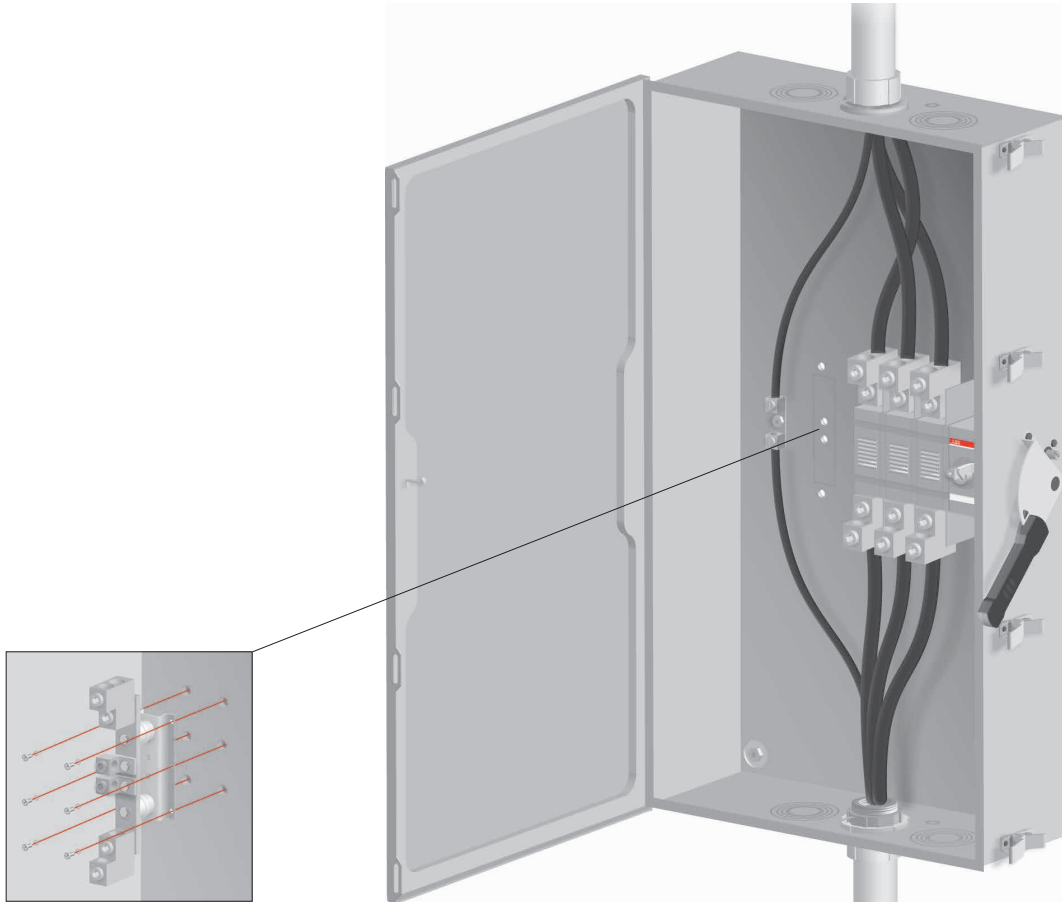
See general safety instructions on page 1/2 before proceeding.

Failure to follow these instructions will result in death or serious injury.

Safety switch size [A]	Line and load side terminal lugs		Ground bus	
	Wire range [kcmil/mm ²]		Wire range [kcmil/mm ²]	
200	2 - 250 / 35 - 120		#14 - 2 / 2.5 - 35	
400	(2) #2 - 500 / 2 × 35 - 240		#6 - 250 / 10 - 120	
600	(2) #2 - 600 / 2 × 35 - 300		#6 - 250 / 10 - 120	
	Wire strip length L [in / mm]			
200	1.10 - 1.18 / 28 - 30		0.39 - 0.47 / 10 - 11.9	
400	1.34 - 1.42 / 34 - 36		0.91 - 0.99 / 23 - 25	
600	1.34 - 1.42 / 34 - 36		0.91 - 0.99 / 23 - 25	
	Wire tightening torque			
	[lbs.in]	[Nm]	[lbs.in]	[Nm]
200	375	41.8	50	5.6
400	500	55.7	275	31.1
600	500	55.7	275	31.1

Installation

Neutral assembly (optional)



Neutral assembly (optional)

Install the neutral link to the bottom plate of the safety switch to the existing threaded holes according to the picture. See chapter Cabling.

Wire ranges:

EOHXS4: #2 - 600 kcmil / 35 - 300 mm²

EOHXS56: (2) #2 - 600 kcmil / 2 × 35 - 300 mm²

Safety switch size [A]	Suitable neutral bus, catalog number	Torque: wire tightening [lb.in]			
		Copper		Aluminium	
		[lbs.in]	[Nm]	[lbs-in]	[Nm]
200	EOHXS4	375	41.8	375	41.8
400	EOHXS56	500	55.7	500	55.7
600	EOHXS56	500	55.7	500	55.7



DANGER

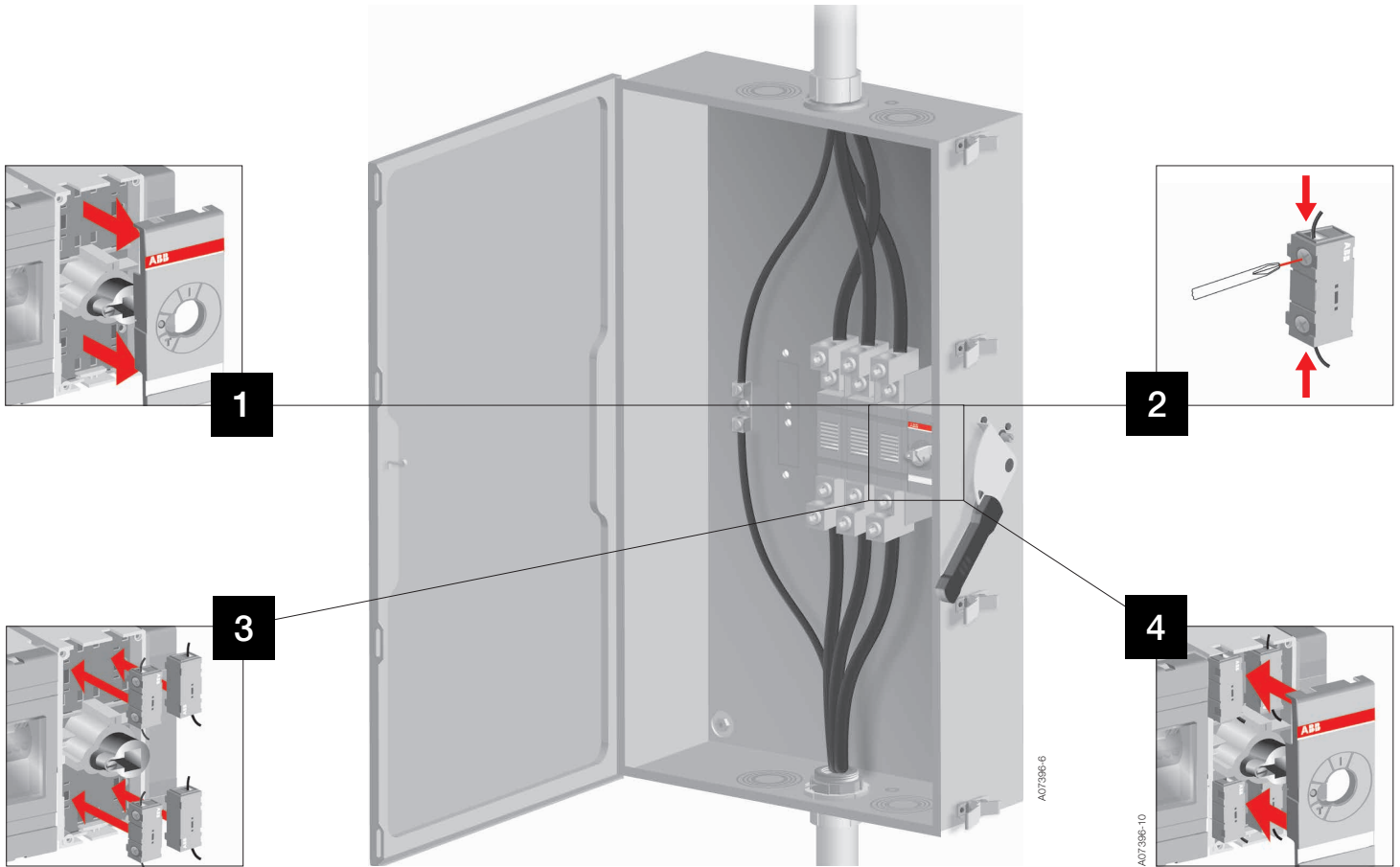
HAZARD OF ELECTRIC SHOCK, EXPLOSION, OR ARC FLASH
See general safety instructions on page 1/2 before proceeding.

Failure to follow these instructions will result in death or serious injury.

Installation

Auxiliary contact (optional)

1



Auxiliary contacts OA1G10 and OA3G01 (optional)

Install the auxiliary contacts to the safety switch mechanism according to the pictures. As example, picture 3 shows the mounting of auxiliary contacts in 200A and 400A safety switches. In 600A safety switches the mechanism cover is left out when using the maximum amount of auxiliary contacts (3 or 4 pcs). See chapter Cabling.

Wire size: 1 - 2 × 18 - 14 AWG, 1 - 2 × 0.75 - 25 mm²

Torque: 7 lbs.in, 0.78 Nm



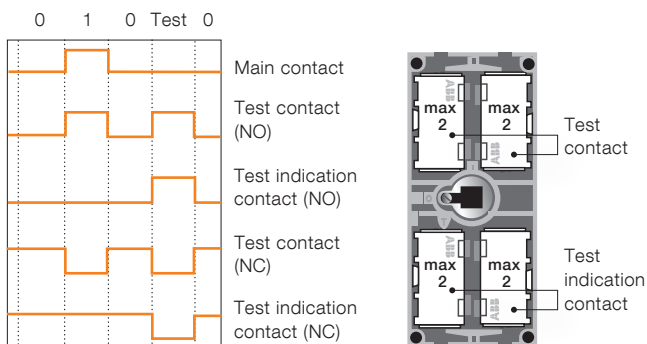
DANGER

HAZARD OF ELECTRIC SHOCK, EXPLOSION, OR ARC FLASH

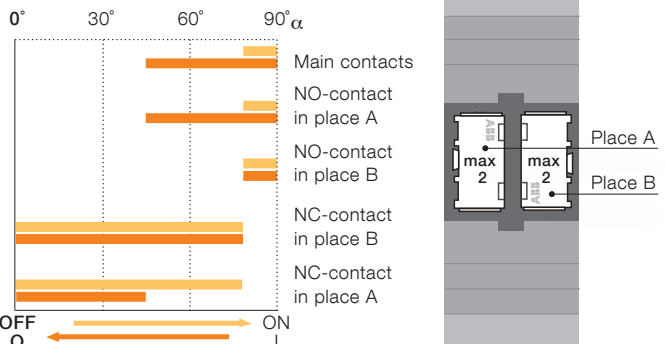
See general safety instructions on page 1/2 before proceeding.

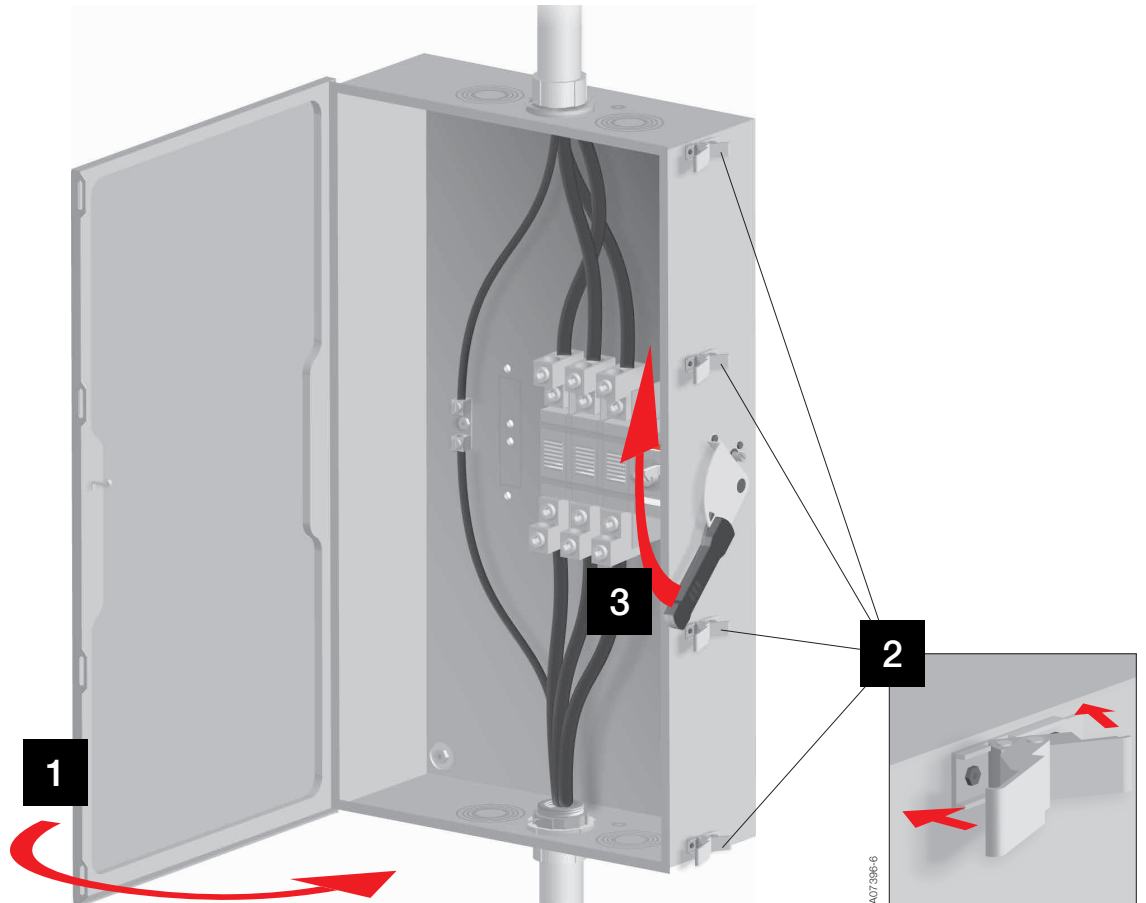
Failure to follow these instructions will result in death or serious injury.

200 A, 400 A



600 A





Closing the enclosure and operation to the ON-position

Close the enclosure door and the latches according to the picture. Operate switch to the ON-position.

NOTE: The door must be closed and fastened securely with the door latches before the switch is operated.



CAUTION

HAZARD OF INJURY OR EQUIPMENT DAMAGE

Do not in any circumstances bend or twist the locking hook fixed on the door. Wrong position of the door hook causes the malfunction of the locking mechanism that may result in personal injury or equipment damage.

Failure to follow these instructions can result in injury or equipment damage.



CAUTION

HAZARD OF INJURY OR EQUIPMENT DAMAGE

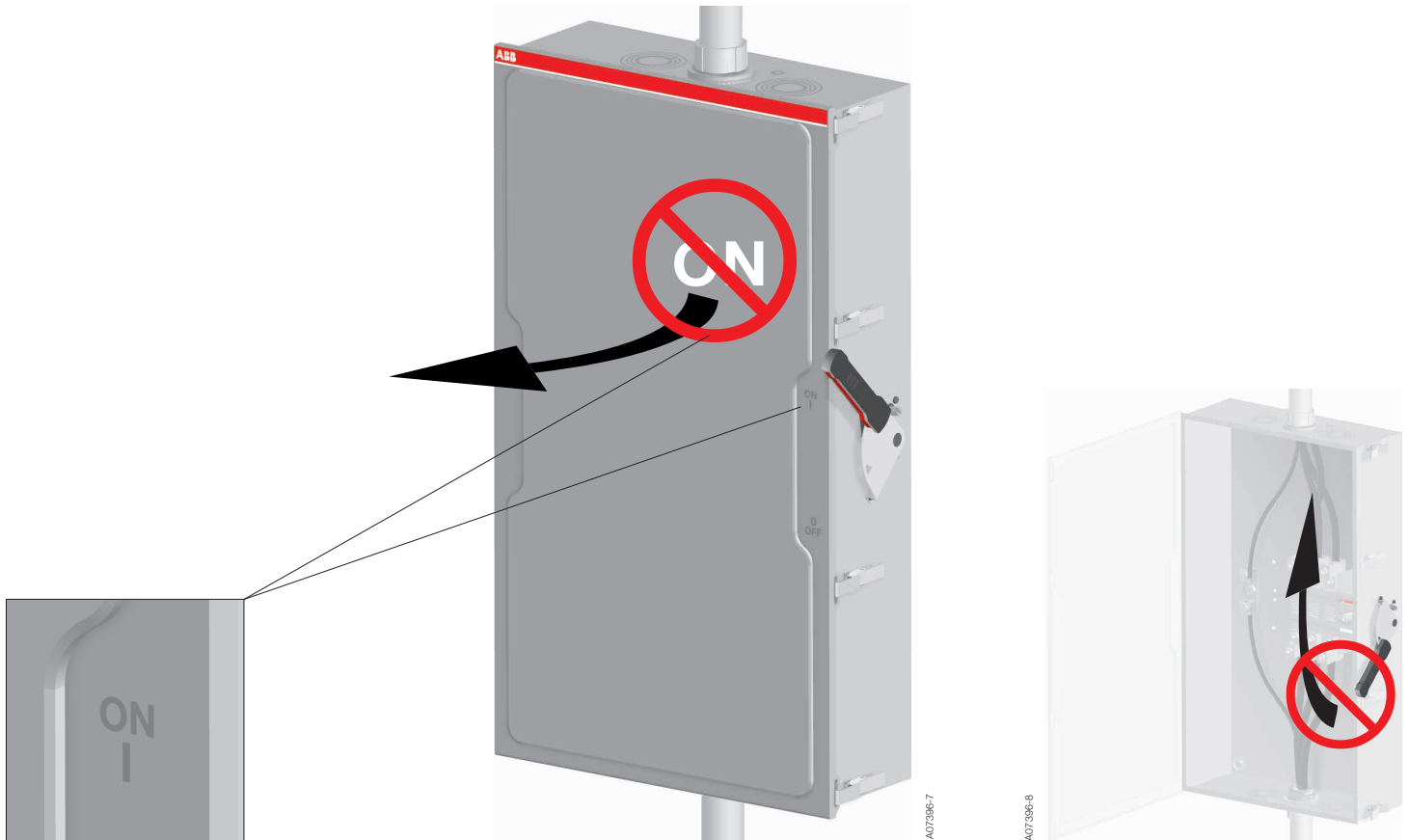
Do not force the handle to the ON (I) position with the door open. When the door is open, the mechanism interlock prevents the switch blades from closing and the handle from fully rotating.

Failure to follow these instructions can result in injury or equipment damage.

Operation

Operating mechanism

1



Door interlock mechanism

A door interlock prevents opening the enclosure door if the switch is in ON-position. It also works in conjunction with the mechanism interlock, which prevents the operation to ON-position if the enclosure door is open.

The door interlock:

- A. Prevents the enclosure door from opening when the switch is in the ON (I) position unless the interlock bypass screw is rotated clockwise defeating the door interlock, see next page.
- B. Permits opening the enclosure door with the switch in the OFF (O) position without turning the interlock bypass screw.
- C. The door will close completely but will not latch with the switch in the OFF (O) position.
- D. The door will close completely and will be held closed by the door interlock when the switch is in the ON (I) position.
- E. With the door closed completely, the mechanism interlock will engage the door interlock when the switch is thrown from the OFF (O) to the ON (I) position.



DANGER

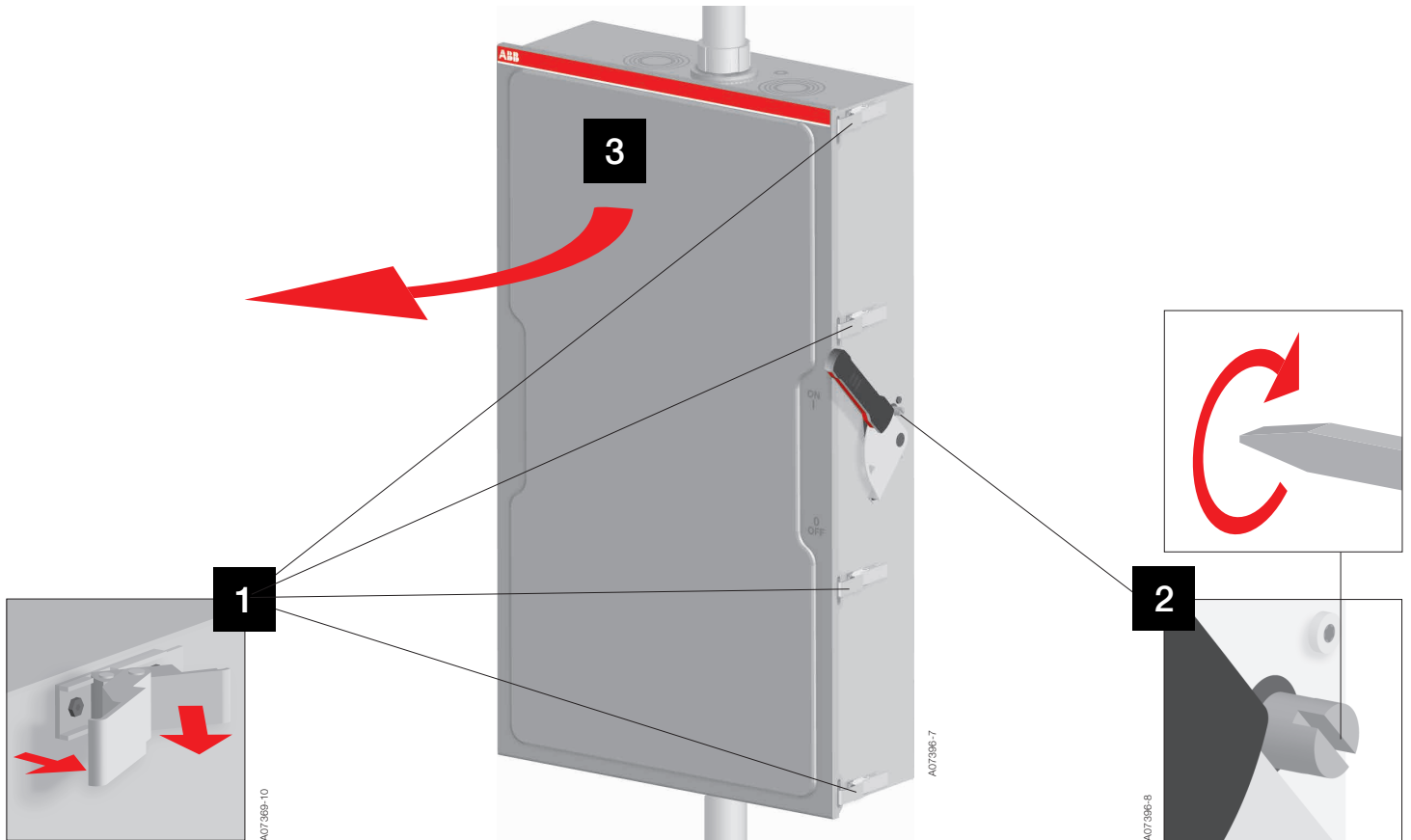
HAZARD OF ELECTRIC SHOCK, EXPLOSION, OR ARC FLASH

See general safety instructions on page 1/2 before proceeding.

Failure to follow these instructions will result in death or serious injury.

Operation

Operating mechanism



Defeating the door interlock mechanism

The door of the safety switch cannot be opened when the switch is in the ON-position. This can be defeated to allow authorized personnel access for inspection.

Note: Only qualified personnel should perform this procedure.

⚠ DANGER

HAZARD OF ELECTRIC SHOCK, EXPLOSION, OR ARC FLASH
 Bypassing the door interlock will expose the operator to live parts and is not recommended. Only qualified personnel should perform this procedure.

Failure to follow these instructions will result in death or serious injury.

⚠ CAUTION

HAZARD OF INJURY OR EQUIPMENT DAMAGE
 Do not in any circumstances bend or twist the locking hook fixed on the door. Wrong position of the door hook causes the malfunction of the locking mechanism that may result in personal injury or equipment damage.

Failure to follow these instructions can result in injury or equipment damage.

⚠ DANGER

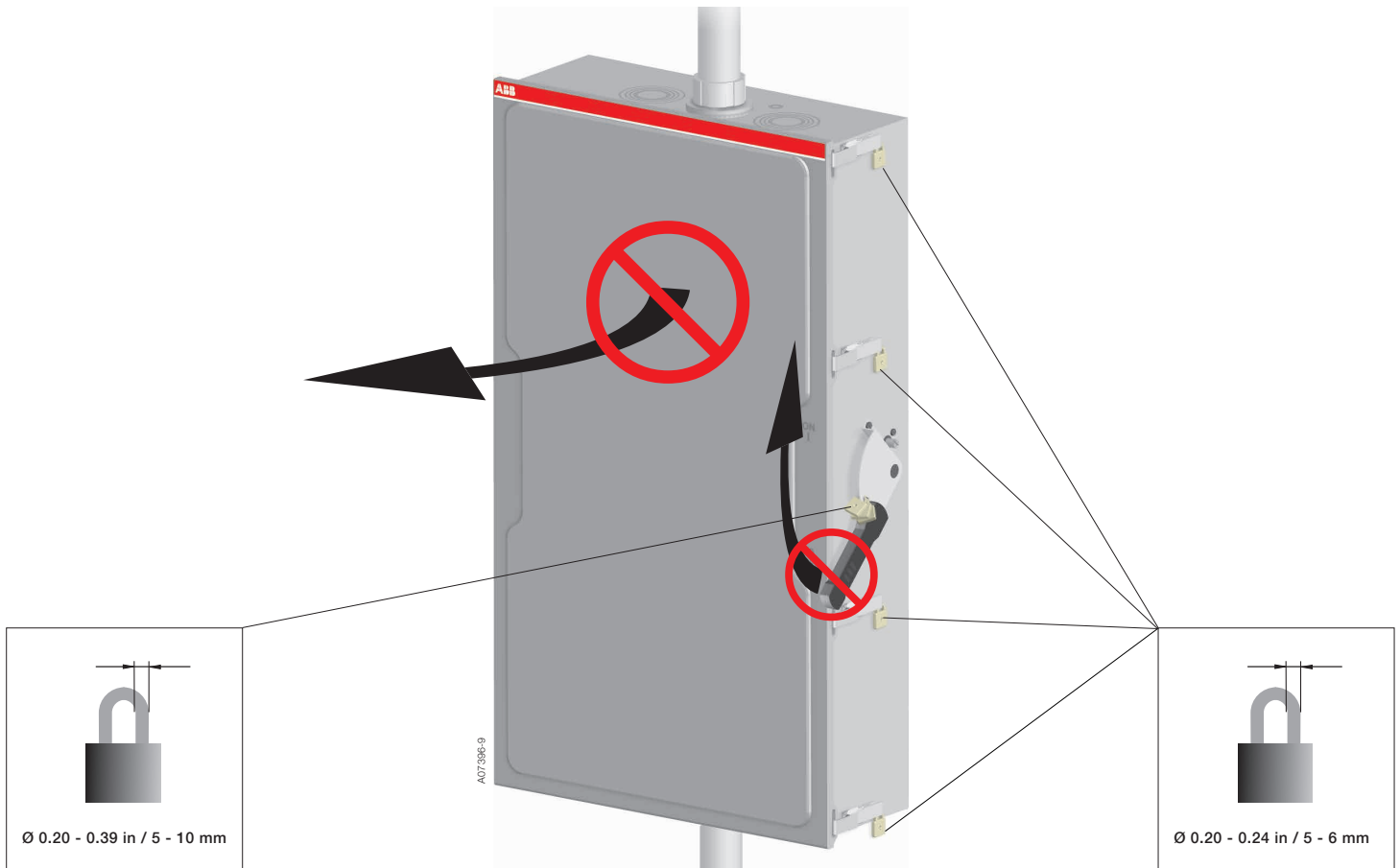
HAZARD OF ELECTRIC SHOCK, EXPLOSION, OR ARC FLASH
 See general safety instructions on page 1/2 before proceeding.

Failure to follow these instructions will result in death or serious injury.

Operation

Padlocking handle and door latches

1



Padlocking handle

Operating handle can be padlocked in the OFF-position with up to three padlocks.

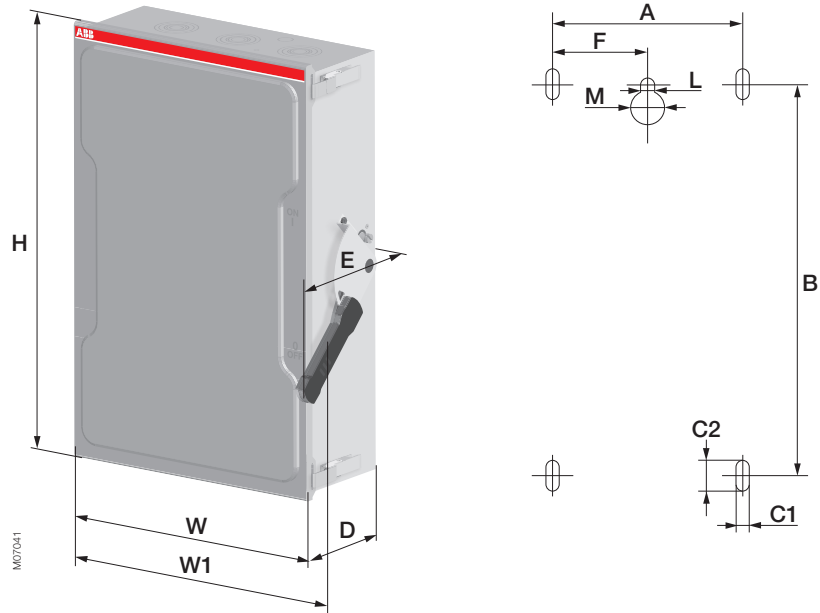
Padlocking door latches

Door latches can be padlocked by one padlock each to prevent unauthorized access to inside of enclosure.

Dimensional drawings

EOHU364K, EOHU365K, EOHU366K /

NEMA 1 / 200 A, 400 A, 600 A



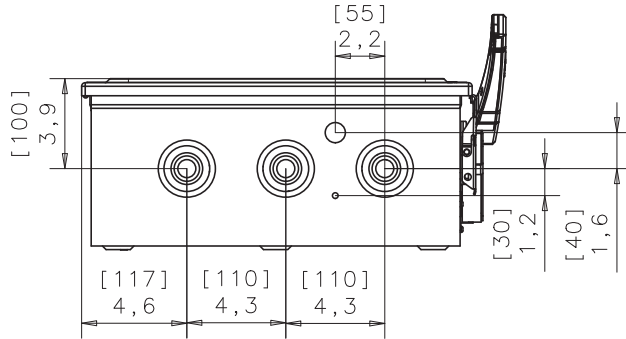
Catalog number	Size									
	H		W		W1		D		E	
	[in]	[mm]	[in]	[mm]	[in]	[mm]	[in]	[mm]	[in]	[mm]
NEMA 1 type										
EOHU364K	25.35	644	17.28	439	18.54	471	7.48	190	10.28	261
EOHU365K	40.91	1039	22.99	584	24.53	623	8.78	223	10.83	275
EOHU366K	47.40	1204	22.99	584	24.53	623	8.78	223	10.83	286

Catalog number	Fixing dimensions						Fixing hole							
	A		B		F		C1		C2		L		M	
	[in]	[mm]	[in]	[mm]	[in]	[mm]	[in]	[mm]	[in]	[mm]	[in]	[mm]	[in]	[mm]
NEMA 1 type														
EOHU364K	13.78	350	22.05	560	6.90	175	0.31	8	0.79	20	0.39	10	0.87	22
EOHU365K	19.69	500	37.60	955	9.84	250	0.31	8	0.79	20	1.56	14.3	0.98	25
EOHU366K	19.69	500	44.09	1120	9.84	250	0.31	8	0.79	20	1.56	14.3	0.98	25

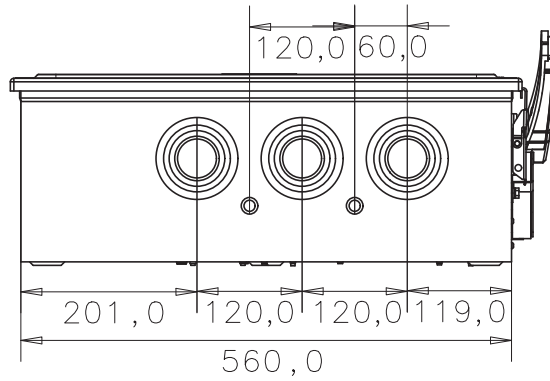
Dimensional drawings

Cable outlets / knockouts

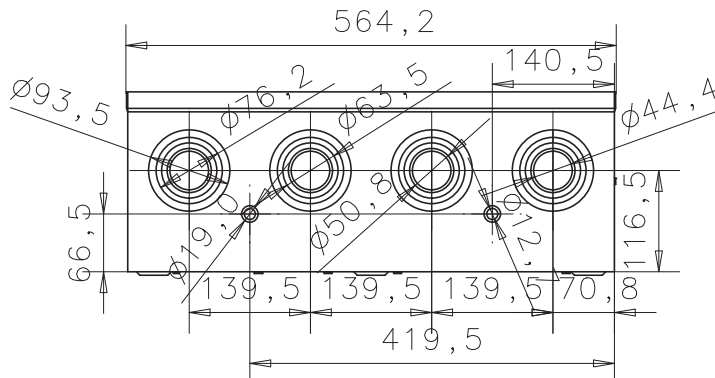
1 For catalog numbers EOHU364K



For catalog numbers EOHU365K

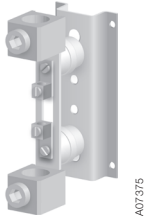


For catalog numbers EOHU366K



Accessories (optional)

Ordering information



EOHXSN4

Neutral assembly

Mounting screws included as standard. Units/catalog number = 1 piece.

Suitable for safety switch	Includes terminal lug	Catalog number	Weight/unit [kg]
Solid, mountable separately to the mounting plate			
EOHU364K	OZXA-400	EOHXSN4	0.3
EOHU365K, _6K	OZXA-800	EOHXSN56	0.7



EOHXSN56

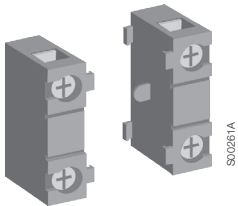
Auxiliary contact blocks, IP20

Contact numbering according to EN 50013. Units/catalog number = 1 piece.

Mounting under the mechanism cover maximum 8 auxiliary contacts

Suitable for safety switch	Function	Catalog number	Weight/unit [kg]
EOHU364K, _5K, _6K	1NO	OA1G10	0.03
EOHU364K, _5K, _6K	1NO	OA1G10AU ¹⁾	0.03
EOHU364K, _5K, _6K	1NC	OA3G01	0.03
EOHU364K, _5K, _6K	1NC	OA3G01AU ¹⁾	0.03

¹⁾ Catalog numbers with _AU are gold plated for extremely difficult circumstances and low voltages.



OA_

Hubs

Hexagonal/Splined Body Design for fast, easy installation with wrench or hammer and screwdriver.

- Hub and Locknut: Zinc or copper-free aluminum.
- Insulating Throat: Thermoplastic temp. rating – 105° C
- Flammability Rating – 94V-0. Sealing Ring: Nitrile (BUNA “N”)

Meets NEMA sealing requirements for NEMA 1.

- UL Listed per NEC® 501.10(B).
- CSA Certified for hazardous locations Class II Groups E, F, G, Class III
- UL File No. E-23018 CSA File No. 4484



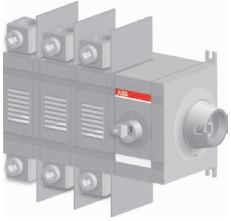
H_-TB

Suitable for safety switch	Conduit size [in]	Catalog number	Weight/unit [kg]
EOHU365K, _6K	1/2	H050-TB	0.093
EOHU365K, _6K	3/4	H075-TB	0.125
EOHU364K	1 1/4	H125-TB	0.244
EOHU364K	1 1/2	H150-TB	0.281
EOHU364K, _5K, _6K	2	H200-TB	0.505
EOHU364K, _5K, _6K	2 1/2	H250-TB	0.847
EOHU365K, _6K	3	H300-TB	1.052
EOHU365K, _6K	3 1/2	H350-TB	1.347

Maintenance

Replacement parts, ordering information

1



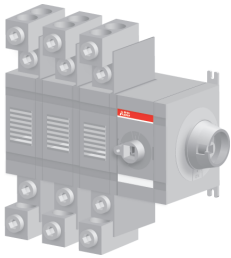
A07382

OT200US30EOHR

Switch-disconnects

Includes terminal lugs. Units/catalog number = 1 piece.

Suitable for safety switch	General purpose current rating [A]	Max. horse power rating [HP] Three phase			Catalog number	Weight/unit [kg]
		240 V	480 V	600 V		
EOHU364K	200	60	125	150	OT200US30EOHR	2.940
EOHU365K	400	150	250	350	OT400US30EOHR	6.300
EOHU366K	600	200	500	500	OT600US30EOHR	13.598



S07304

OT400/600US30EOHR

Other replacement parts

Suitable for safety switch	Catalog number	Weight/unit [kg]
Handle kit		
Handle, handle shield and mounting screws included as standard. Units/catalog number = 1 piece.		
EOHU364K, _5K, _6K	EOHH2	0.350
Door interlock mechanism		
Mounting screws included as standard. Units/catalog number = 1 piece.		
EOHU364K	EOHLM7	1.150
EOHU365K, _6K	EOHLM6	1.150
Line and load side lug assembly		
Mounting screws included as standard. Units/catalog number = 3 pieces.		
EOHU364K	OZXA-400/3	0.067
EOHU365K, _6K	OZXA-800/3	0.207



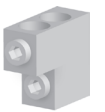
A07370

EOHH2



A07380

EOHLM_



A07372-3

OZXA-800_



A07428

OZXA-400_

Maintenance

Installation and maintenance log

Maintenance

The switch is properly lubricated at the factory. No lubrication is required. However, careful cleaning is required after wire connections and mounting of additional accessories and replacement parts. The cleaning and checking of wire connections are recommended to be performed once a year.



DANGER

HAZARD OF ELECTRIC SHOCK, EXPLOSION, OR ARC FLASH
See general safety instructions on page 1//2 before proceeding.

Failure to follow these instructions will result in death or serious injury.

1

Installation and maintenance log

All service performed on this device should be recorded in the Installation and Maintenance Log.

Date of installation of the safety switch: _____

Description of service performed	Reason for servicing	Special observations of device	Date of service	Name of person performing service

Serie EOHU

Interruptores de seguridad de servicio pesado

Instrucciones de seguridad	2/2
Réception, manutention et entreposage	2/3
Aplicaciones	2/4
Visión general del producto	2/5
EOHU364K, EOHU365K, EOHU366K	2/5
Datos nominales	2/6
Interruptores de seguridad de servicio pesado	2/6
Cableado	2/7
Interruptores de seguridad de servicio pesado	2/7
Barra del neutro	2/8
Instalación	2/9
Apertura del gabinete	2/9
Aberturas tipo knockout	2/10
Montaje	2/11
Conexión de cableado	2/12
Ensamble de la terminal de neutro (opcional)	2/13
Contactos auxiliares (opcional)	2/14
Operación	2/15
Operación del interruptor	2/15
Mecanismo de operación	2/16
Enclavamiento de la palanca y cerradura	2/18
Dimensiones generales	2/19
EOHU364K, EOHU365K, EOHU366K / NEMA 1 / 200 A, 400 A, 600 A	2/19
Salidas de cable/abertura tipo knockout	2/20
Accesorios (opcional)	2/21
Información de pedido	2/21
Mantenimiento	2/22
Piezas de repuesto, información de pedido	2/22
Registro de Instalación y Mantenimiento	2/23

Lea con detenimiento estas instrucciones antes de utilizar este producto

2



PELIGRO

PELIGRO DE DESCARGA ELÉCTRICA, EXPLOSIÓN O DESTELLO POR ARQUEO

- Utilice equipo de protección personal (EPP) apropiado y siga las prácticas de seguridad eléctrica establecidas por su compañía. Consulte la norma 70E de NFPA o CSA Z462.
- Solamente el personal eléctrico especializado deberá instalar y prestar servicio de mantenimiento a este equipo.
- Desenergice el equipo antes de realizar inspecciones, pruebas o dar mantenimiento. Siempre asuma que todos los circuitos están energizados a menos de que hayan sido desenergizados, probados, aterrizados y marcados. Tome en cuenta todas las fuentes de energía, e incluso la posibilidad de retroalimentación.
- Nunca haga funcionar el interruptor energizado con la puerta abierta.
- Desconecte el interruptor antes realizar las conexiones del lado de carga.
- Siempre utilice un dispositivo detector de tensión nominal adecuado en todos los clips para fusibles en los lados de línea y carga para confirmar la desenergización del interruptor.
- Desenergice el interruptor antes de realizar cualquier otro trabajo dentro o fuera de él.

El incumplimiento de estas instrucciones podrá causar la muerte o lesiones serias.

Réception, manutention et entreposage

Réception et manutention

Dès réception, inspecter soigneusement l'interrupteur pour des dommages qui auraient pu survenir pendant le transport. Si des dommages sont évidents, ou il y a une indication visible d'une mauvaise manipulation, déposer immédiatement une réclamation auprès de la société de transport, et en aviser votre bureau de vente local ABB.

Ne retirez pas l'emballage d'expédition jusqu'à ce que le commutateur soit prêt à être installé.

Entreposage

Si l'appareil ne sera pas mis en service immédiatement, conservez l'interrupteur dans son emballage d'origine dans un endroit propre et sec. Pour éviter la condensation, maintenir une température constante. Stockez l'appareil dans un bâtiment chauffé, permettant une circulation d'air adéquate et une protection contre la saleté et de l'humidité. L'entreposage de l'appareil en plein air pourrait provoquer de la condensation nuisible à l'intérieur du boîtier du commutateur.

2



AVERTISSEMENT

RISQUE DE RENVERSEMENT DE MATERIEL

Lors d'un déplacement avec un chariot élévateur, ne pas retirer l'emballage d'expédition jusqu'à ce que le dispositif soit dans sa destination finale.

Le non-respect de ces instructions entraînera des blessures ou des dommages matériels.

La serie EOHU de interruptores de seguridad de servicio pesado son tripolares y tienen una tensión nominal de 600 V. Los gabinetes están hechos de acero y tienen protección de tipo 1 de acuerdo a la norma UL. La operación se lleva a cabo mediante una palanca lateral.

La serie EOHU de interruptores de seguridad de servicio pesado tiene la capacidad de conectar y desconectar circuitos. Los interruptores se pueden utilizar como medio de desconexión, en el lado de la carga o como desconectores de motores.

Número de catálogo:

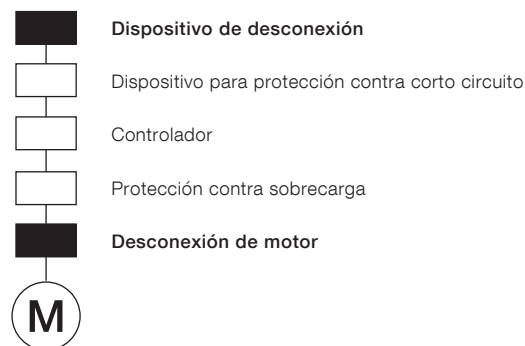
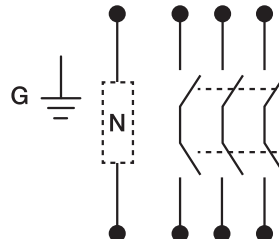
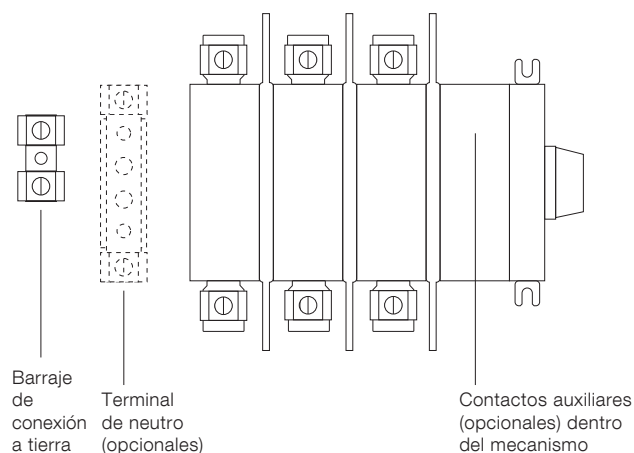
NEMA 1: EOHU364K, EOHU365K, EOHU366K

Corriente nominal: 200 A, 400 A y 600 A

Normas: UL98, UL50, NEMA KS1, CSA

Especificación del material del gabinete: Acero electrogalvanizado, pintado con poliéster en polvo con espesor de 0.059 in /1.5 mm (EOH364K/5K) y 0.079 in /2 mm (EOH366K) (puerta y gabinete). Palanca de poliamida reforzada con vidrio (PAf1), policarbonato (PCf1).

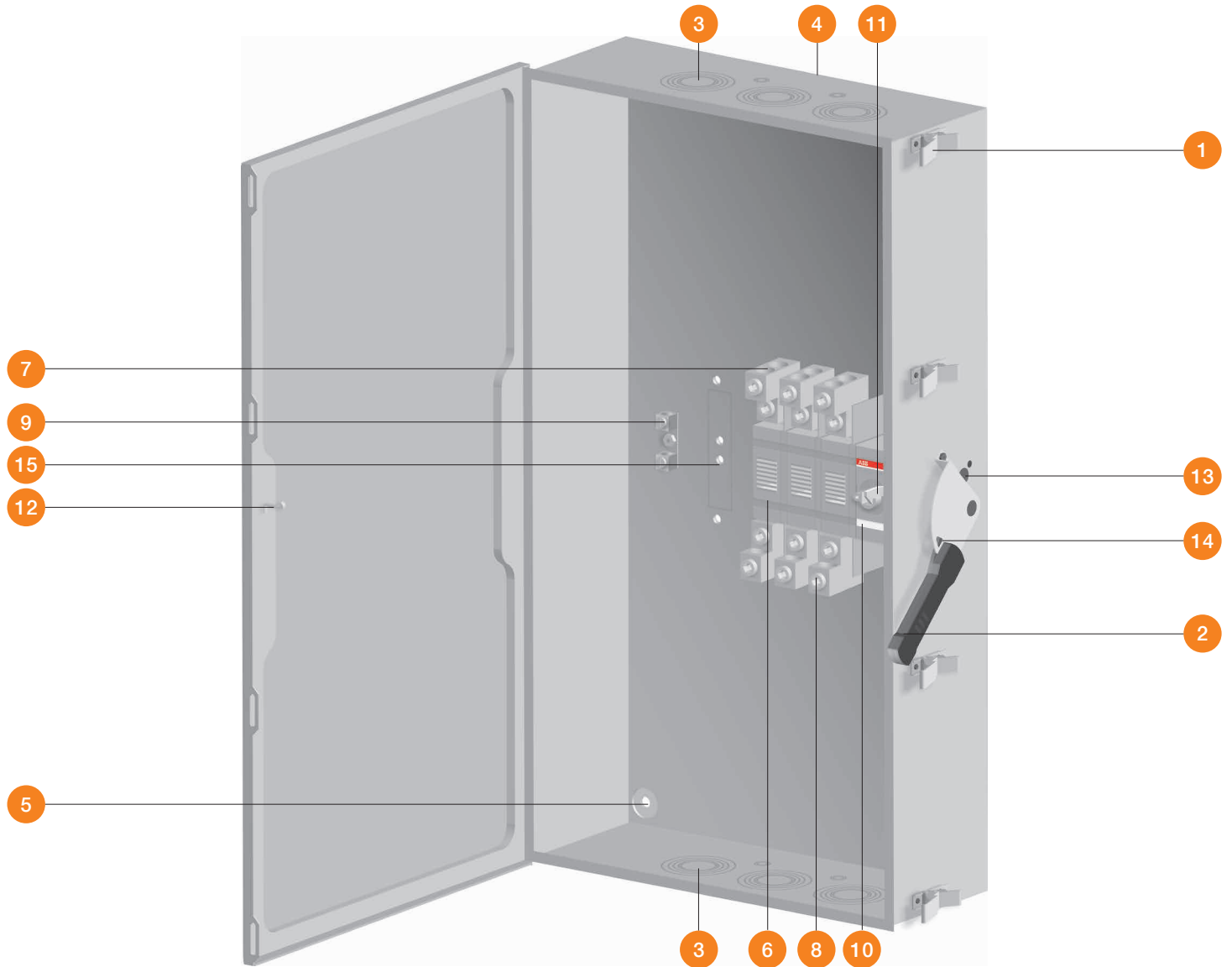
Color del gabinete: ANSI 61 (gris claro).



Los interruptores de seguridad de servicio pesado EOHU364K, EOHU365K, EOHU366K tienen una tensión nominal de 600 V, trifásicos e incluyen el barraje de conexión a tierra. La terminal de neutro se puede incluir de manera opcional.

Visión general del producto

EOHU364K, EOHU365K, EOHU366K



1. Cerradura de la puerta
2. Palanca
3. Abertura para cable tipo knockout
4. Agujero bocallave para montaje de interruptor
5. Agujeros para montaje del interruptor
6. Interruptor tripolar, contacto de doble cuchilla
7. Zapatas para terminales de entrada
8. Zapatas para terminales de salida
9. Barraje de conexión a tierra (2 zapatas)

10. Mecanismo de operación, espacio interior para montaje de contactos auxiliares (opcional)
11. Mecanismo para bloqueo de puerta
12. Gancho para bloquear el mecanismo de bloqueo de puerta
13. Tornillo desactivador del mecanismo de bloqueo de puerta (Atención: solamente el personal autorizado debe de llevar acabo este procedimiento)
14. Agujero para enclavamiento
15. Espacio para terminal de neutro (opcional)

Datos nominales

Interruptores de seguridad de servicio pesado

2

Tipo de interruptores de seguridad				EOHU364K	EOHU365K	EOHU366K	
AMPS				A	200	400	600
Corriente nominal			A	200	400	600	
Potencia máxima (HP)	Trifásica	240 V	HP	60	125	200	
		480 V	HP	125	250	400	
		600 V	HP	150	350	500	
Máxima corriente FLA del motor	Trifásica	240 V	A	192	360	480	
		480 V	A	156	302	477	
		600 V	A	144	336	472	
Especificación de corto circuito	Fusibles clase R, J o T	480 V	kA	200	200	200	
	Fusibles clase R	600 V	kA	200	100	200	
	Fusibles clase J o T	600 V	kA	200	200	200	
Terminales a tierra							
Tipo de barraje de conexión a tierra				OZXG1	OZXG2	OZXG2	
Especificación de temperatura			°F	167	167	167	
			°C	75	75	75	
Contactos auxiliares, opcional							
Contactos auxiliares apropiados		Función	1NO	0A1G10	0A1G10	0A1G10	
			1NC	0A3G01	0A3G01	0A3G01	
Datos nominales NEMA, CC				AC600	AC600	AC600	
Tensión nominal, VCC			VCC	600	600	600	
Corriente térmica nominal, A			A	10	10	10	
Máxima potencia nominal de cierre, VA CC			VA	7200	7200	7200	
Máxima potencia nominal de corte, VA CC			VA	720	720	720	
Datos nominales NEMA, CD				R300	R300	R300	
Tensión nominal, VCD			VCD	300	300	300	
Corriente térmica nominal, A			A	1	1	1	
Máxima potencia nominal de cierre-corte, VA			VA	28	28	28	

Cableado

Interruptores de seguridad de servicio pesado

Cableado / Interruptores de seguridad de servicio pesado

Ubicación de cables de entrada/salida: Entrada en la parte superior y salida en la parte inferior, lo cual maximiza el área de cableado. Las entradas y salidas de cables deben de seguir la norma NEC (National Electrical Code) y todas las normas o códigos locales. Utilice una llave hexagonal 3/8 (200 A) o 1/2 (400 A y 600 A). Vea la figura en el capítulo Instalación - Conexión de cableado.



ADVERTENCIA

Para evitar daños por descarga eléctrica, desenergice y desconecte el interruptor antes de llevar a cabo la instalación o mantenimiento.

2

Tipo de interruptor de seguridad		EOHU364K	EOHU365K	EOHU366K
AMPS		200	400	600
Zapata de entrada				
Zapata		OZXA-400	OZXA-800	OZXA-800
Par de apriete de cable, Cu y Al (Calibre)	lbs.in	375	500	500
	Nm	41.8	55.7	55.7
Par de apriete para montaje de zapata	lbs.in	228	480	480
	Nm	25.4	53.5	53.5
Rango de calibres	kcmil	#2 - 250	(2) #2 - 500	(2) #2 - 600
	mm ²	35 - 120	2 × 35 - 240	2 × 35 - 300
Zapatillas de salida				
Zapata		OZXA-400	OZXA-800	OZXA-800
Par de apriete de cable, Cu y Al (Calibre)	lbs.in	375	500	500
	Nm	41.8	55.7	55.7
Par de apriete para montaje de zapata	lbs.in	228	480	480
	Nm	25.4	53.5	53.5
Rango de calibres	kcmil	#2 - 250	(2) #2 - 500	(2) #2 - 600
	mm ²	35 - 120	2 × 35 - 240	2 × 35 - 300
Barraje de conexión a tierra (2 zapatas)				
Desatornillador		Punta plana	5/16" Hex	5/16" Hex
Tipo de Barraje de conexión a tierra		OZXG1	OZXG2	OZXG2
Par de apriete de cable	lbs.in	50	275	275
	Nm	5.6	31.1	31.1
Máximo par de apriete del perno	lbs.in	72	72	72
	Nm	8.1	8.1	8.1
Rango de calibres	AWG	#14 - 2	#6 - 250 kcmil	#6 - 250 kcmil
	mm ²	2.5 - 35	10 - 120	10 - 120

Cableado

Barra del neutro

2

Cableado/Barra del neutro

Para interruptores de 200 A, utilice una llave hexagonal 3/8.

Para interruptores de 400 y 600 A, utilice una llave hexagonal 1/2.

Vea la figura en el capítulo Instalación - Ensamble de la terminal de neutro (opcional).

Interruptor de seguridad - Número de catálogo			EOHU364K	EOHU365K	EOHU366K
AMPS	A		200	400	600
Tipo de barra del neutro			EOHXS4	EOHXS56	EOHXS56
Barra del neutro/zapatitas					
Zapata			OZXA-400	OZXA-800	OZXA-800
Par de apriete de cable	Cobre	lbs.in	375	500	500
		Nm	41.8	55.7	55.7
Par de apriete de cable	Aluminio	lbs.in	375	500	500
		Nm	41.8	55.7	55.7
Par de apriete para montaje de zapata		lbs.in	228	480	480
		Nm	25.4	53.5	53.5
Rango de calibres		AWG	#2 - 600 kcmil	(2) #2 - 600 kcmil	(2) #2 - 600 kcmil
		mm ²	35 - 300	2x35 - 300	2x35 - 300

Cableado/contactos auxiliares (opcional)

Utilice un destornillador tipo Pozidrive #2 o de punta plana.

Vea la figura en el capítulo Instalación - Contactos auxiliares (opcional).

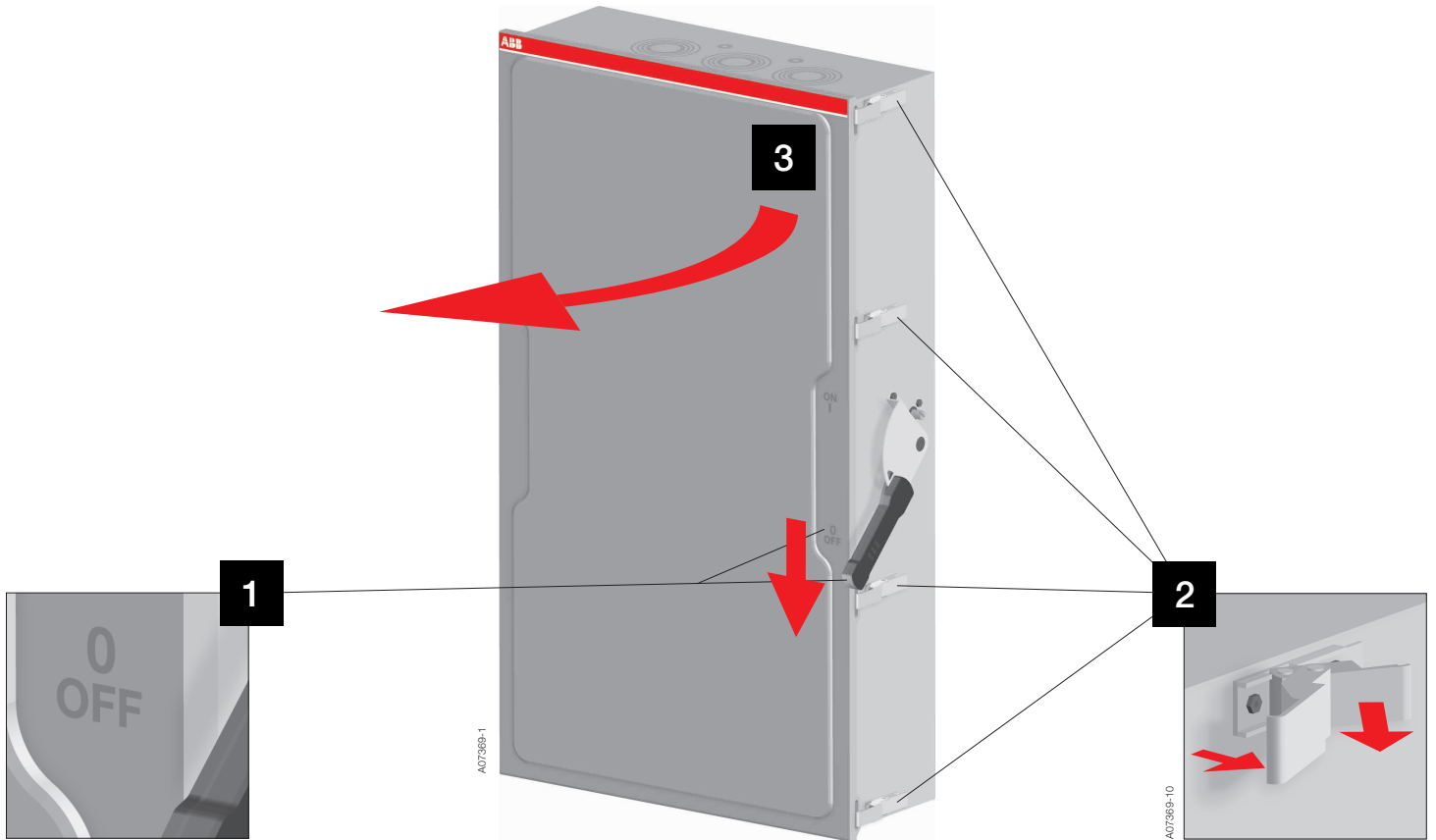
Contactos auxiliares, tipos OA1G10 (1NO), OA3G01 (1NC)

NEMA	A600, R300
Calibre	1 - 2 x #18 - 14 AWG
	1 - 2 x 0.75 - 2.5 mm ²
Par de apriete	7 lbs.in
	0.78 Nm

Instalación

Apertura del gabinete

2



Apertura del gabinete

Desenergice el interruptor (posición OFF) y abra la cerradura de la puerta de acuerdo a la imagen. Abra el gabinete.



PRECAUCIÓN

PELIGRO DE LESIONES O DAÑO AL EQUIPO

No doble o tuerza el gancho para bloquear el mecanismo, bajo ninguna circunstancia. El gancho en posición incorrecta puede causar lesiones serias o daños al equipo.

El incumplimiento de estas instrucciones podrá causar la muerte o daños en el equipo



PELIGRO

PELIGRO DE DESCARGA ELÉCTRICA, EXPLOSIÓN O DESTELLO POR ARQUEO

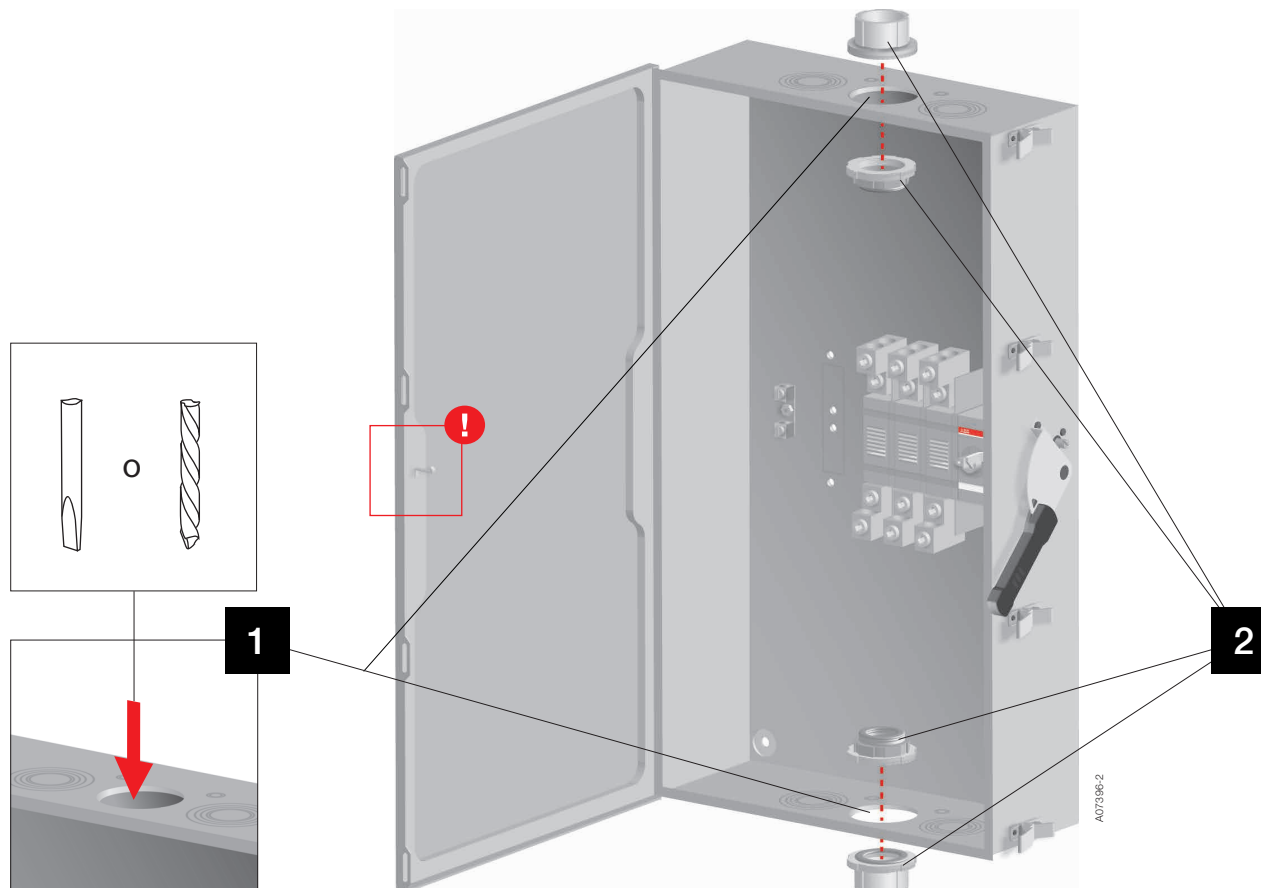
Lea detenidamente las instrucciones en la página 2/2 antes de continuar.

El incumplimiento de estas instrucciones puede causar muerte o lesiones serias.

Instalación

Aberturas tipo knockout

2



Entrada/salida de cables, aberturas tipo knockout para conectores de tubos conduit

Las aberturas concéntricas tipo knockout para los conectores de tubos conduit están localizadas en las superficies superiores e inferiores del gabinete. Seleccione el tamaño y la cantidad necesaria, de acuerdo a la tabla. Asegúrese de que las piezas estén libres de viruta u otros residuos de metal.

Tipo	Entrada/salida de cable, knockouts/ superior e inferior	
	[ø in]	[ø mm]
EOHU364K	3×(ø2.5+ø2+ø1.5+ø1.25+ø0.79)+ ø0.25+ø0.9	3×(ø63.5+ø50.8+ø38.1+ø31.75+ø20)+ ø6.35+ø22.4
EOHU365K	3×(ø3.5+ø3+ø2.5+ø2+ø1.57)+2× (ø0.75+ø0.5)	3×(ø88.9+ø76.2+ø63.5+ø50.8+ø40)+ 2×(ø19.05+ø12.7)
EOHU366K	4×(ø3.5+ø3+ø2.5+ø2+ø1.57)+2× (ø0.75+ø0.5)	4×(ø88.9+ø76.2+ø63.5+ø50.8+ø40)+ 2×(ø19.05+ø12.7)



PRECAUCIÓN

La clasificación NEMA del gabinete debe de permanecer aún después de instalar los cables y conectores. No está permitido hacer otros agujeros que no sean la entrada o salida de cable del gabinete. ABB no se responsabiliza por consecuencias de la instalación de los cables y conectores o si se hacen agujeros adicionales al gabinete.



PRECAUCIÓN

PELIGRO DE LESIONES O DAÑO AL EQUIPO

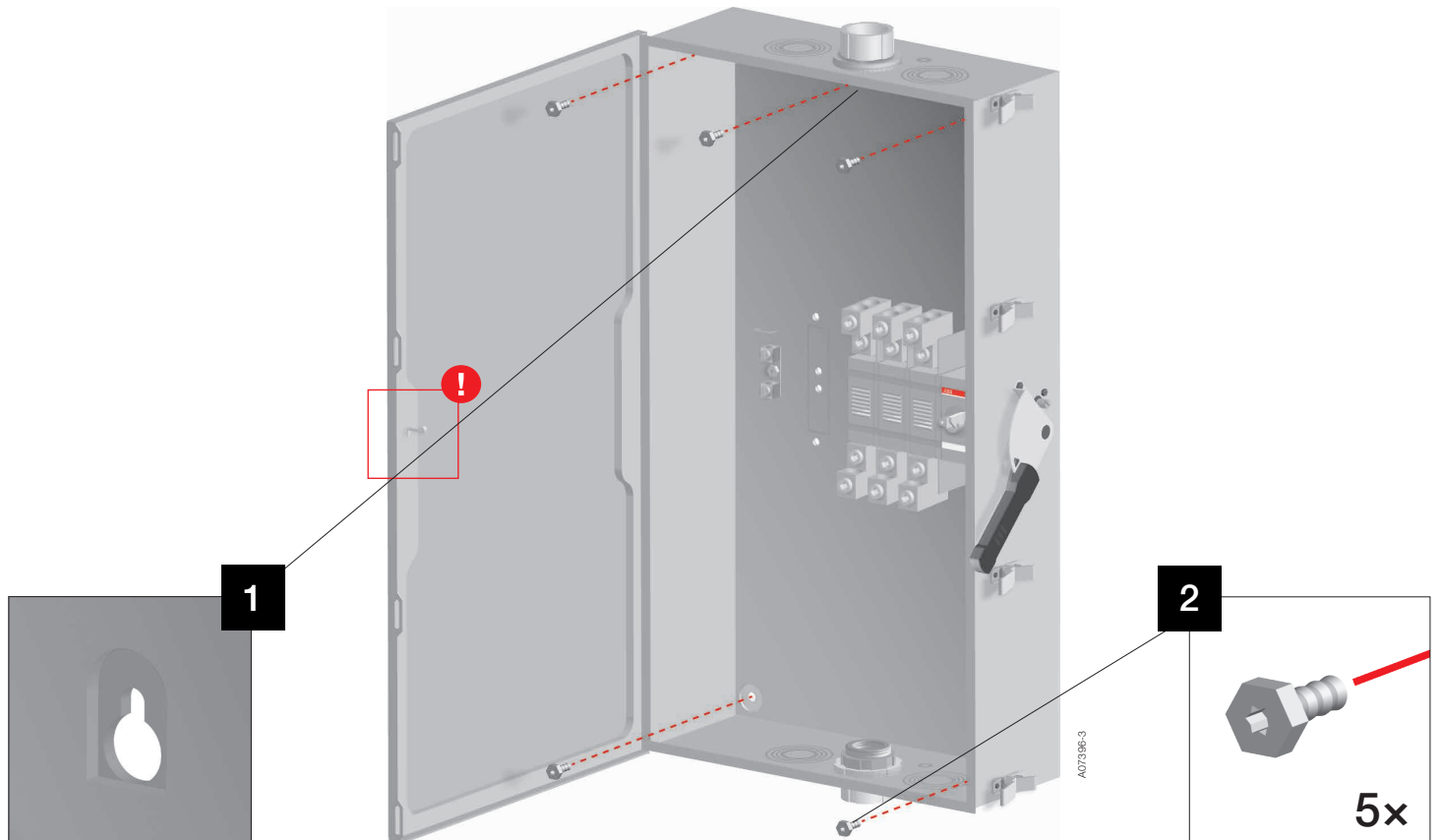
No doble o tuerza el gancho para bloquear el mecanismo, bajo ninguna circunstancia. El gancho en posición incorrecta puede causar lesiones serias o daños al equipo.

El incumplimiento de estas instrucciones podrá causar la muerte o daños en el equipo

Instalación

Montaje

2



Montaje del interruptor de seguridad en la pared u otras estructuras de soporte

Monte el interruptor de seguridad con 2 tornillos 3/16" y 2 tornillos 5/16". Atención: utilice el agujero bocallave para colgar el gabinete mientras aprieta los otros tornillos. Verifique que la capacidad de soporte de la estructura sea suficiente en relación con el peso, tamaño y medio de fijación del interruptor y que cumpla con los requerimientos locales.

Soporte

- Montaje en pared
- Monte el gabinete en una superficie plana para evitar deformación.
- Utilice distanciadores/cuñas si es necesario.



PRECAUCIÓN

PELIGRO DE LESIONES O DAÑO AL EQUIPO

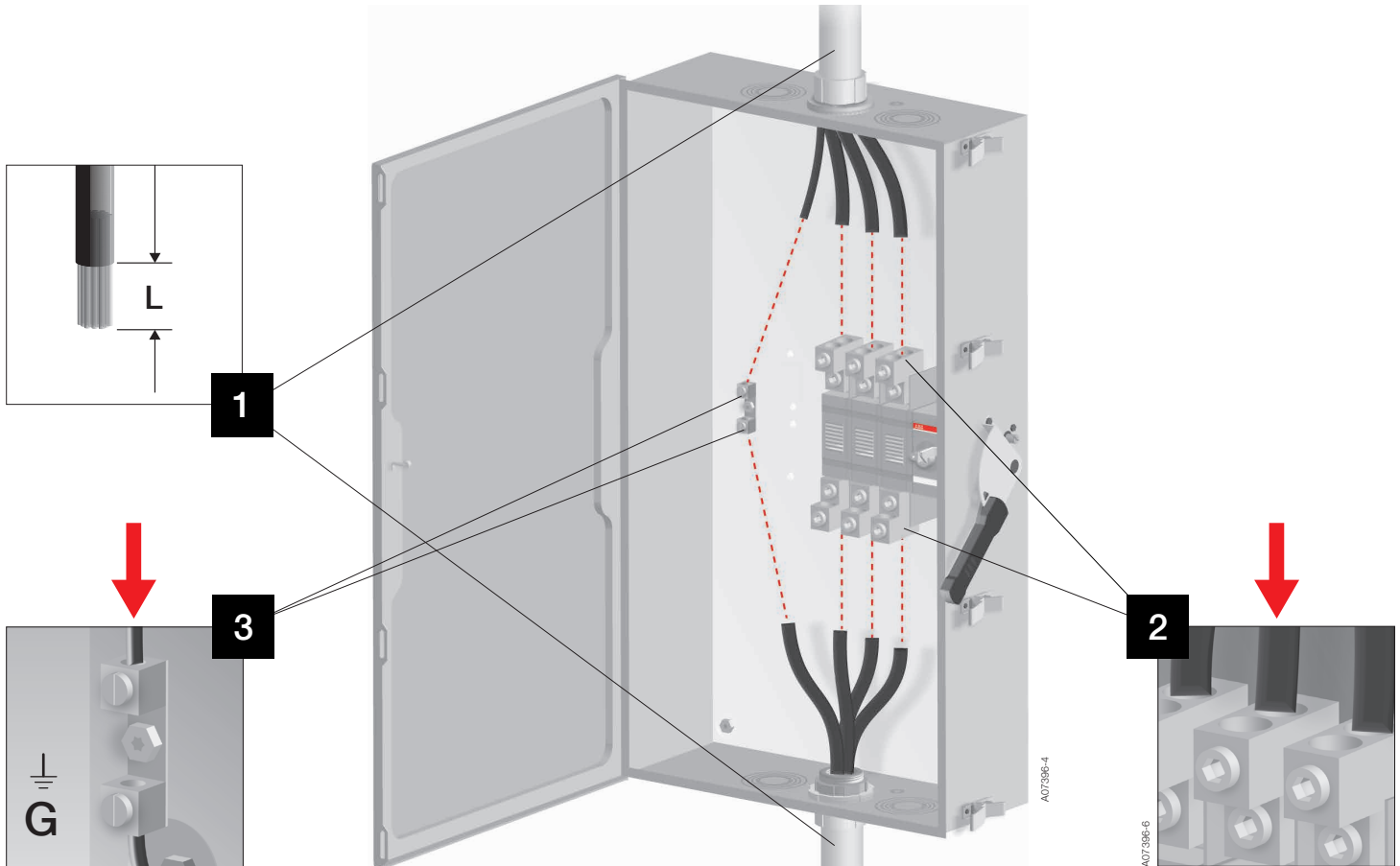
No doble o tuerza el gancho para bloquear el mecanismo, bajo ninguna circunstancia. El gancho en posición incorrecta puede causar lesiones serias o daños al equipo.

El incumplimiento de estas instrucciones podrá causar la muerte o daños en el equipo

Instalación

Conexión de cableado

2



Conexión de cableado

Conecte los cables a las terminales del interruptor. Conecte el cable a tierra al bloque de conexión localizado dentro del gabinete. Siga los requerimientos sobre tamaño de cable y conexión a tierra establecidos en la norma NEC (National Electric Code) y en todas las normas o códigos locales. Vea el capítulo Cableado. La temperatura nominal de todos los cables tiene que ser de 167 °F / 75 °C.

Las terminales del interruptor no están diseñadas para soportar el peso de los cables, por lo que el instalador debe de proveer

el soporte adecuado. Doble el cable cuidadosamente para evitar deformación en las terminales. Deformación en las terminales tiene un impacto negativo en el funcionamiento del interruptor.

Tamaño de interruptor [A]	Zapatas de entrada y salida		Barraje de conexión a tierra	
	Rango de calibres [kcmil/mm ²]			
200	2 - 250 / 35 - 120		#14 - 2 / 2.5 - 35	
400	(2) #2 - 500 / 2 × 35 - 240		#6 - 250 / 10 - 120	
600	(2) #2 - 600 / 2 × 35 - 300		#6 - 250 / 10 - 120	
Longitud L [in / mm]				
200	1.10 - 1.18 / 28 - 30		0.39 - 0.47 / 10 - 11.9	
400	1.34 - 1.42 / 34 - 36		0.91 - 0.99 / 23 - 25	
600	1.34 - 1.42 / 34 - 36		0.91 - 0.99 / 23 - 25	
Par de apriete de cable				
	[lbs.in]	[Nm]	[lbs.in]	[Nm]
200	375	41.8	50	5.6
400	500	55.7	275	31.1
600	500	55.7	275	31.1



PELIGRO

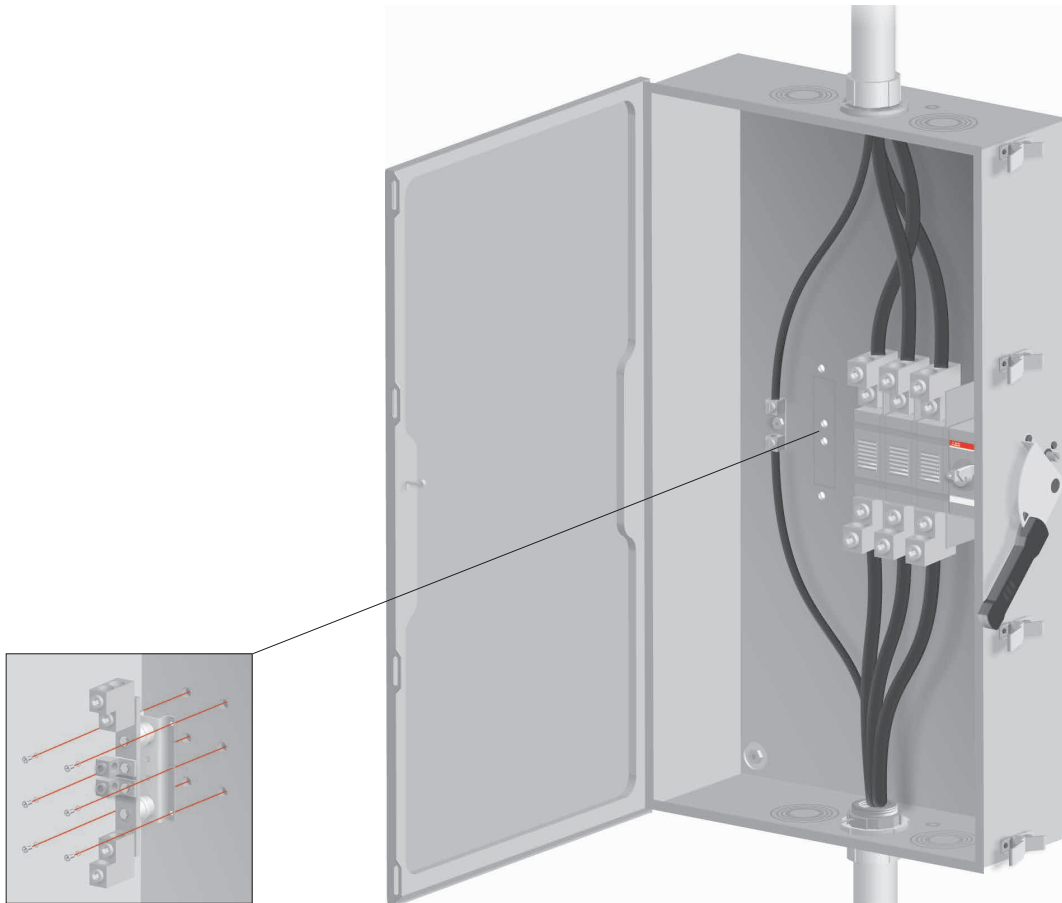
PELIGRO DE DESCARGA ELÉCTRICA, EXPLOSIÓN O DESTELLO POR ARQUEO

Lea detenidamente las instrucciones en la página 2/2 antes de continuar.

El incumplimiento de estas instrucciones puede causar muerte o lesiones serias.

Instalación

Ensamble de la terminal de neutro (opcional)



Ensamble de la terminal de neutro EOHXSN13 (opcional)

Instale la terminal de neutro de acuerdo a los agujeros roscados existentes en la placa de montaje. Vea el capítulo Cableado.

Rango de calibres:

EOHXS4: #2 - 600 kcmil / 35 - 300 mm²

EOHXS56: (2) #2 - 600 kcmil / 2 x 35 - 300 mm²

Tamaño de interruptor [A]	Barra de neutro apropiada, número de catálogo	Par de apriete (cable)			
		Cobre		Aluminio	
		[lbs.in]	[Nm]	[lbs-in]	[Nm]
200	EOHXS4	375	41.8	375	41.8
400	EOHXS56	500	55.7	500	55.7
600	EOHXS56	500	55.7	500	55.7



PELIGRO

PELIGRO DE DESCARGA ELÉCTRICA, EXPLOSIÓN O DESTELLO POR ARQUEO

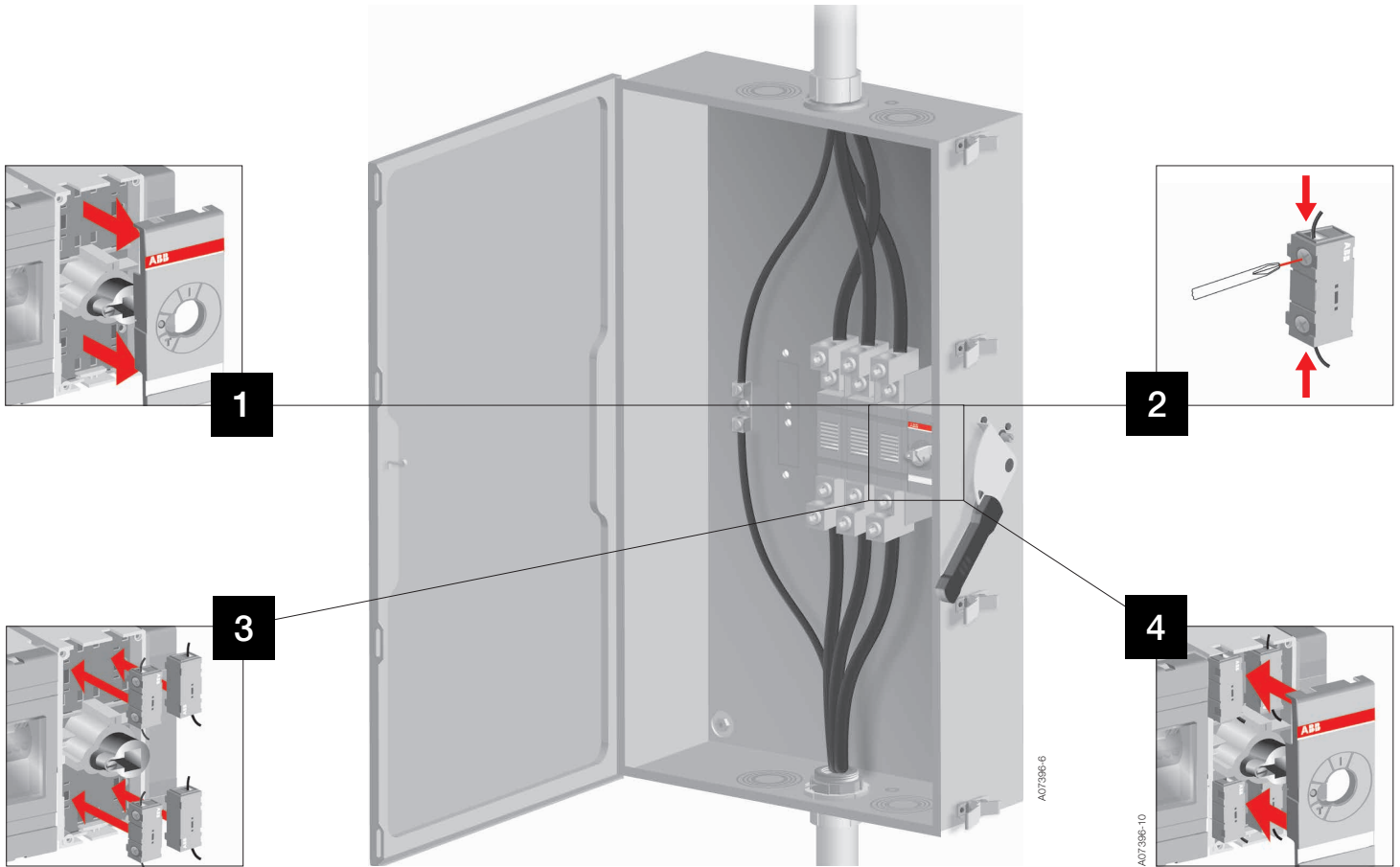
Lea detenidamente las instrucciones en la página 2/2 antes de continuar.

El incumplimiento de estas instrucciones puede causar muerte o lesiones serias.

Instalación

Contactos auxiliares (opcional)

2

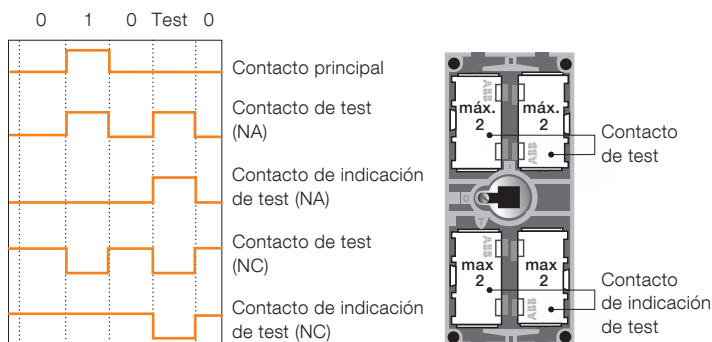



Contactos auxiliares OA1G10 y OA3G01 (opcional)

Instale los contactos auxiliares dentro del mecanismo del interruptor de acuerdo a la imagen. Vea el capítulo Cableado. La imagen 3 muestra un ejemplo de como montar contactos auxiliares en interruptores de 200 A y 400 A. En el caso de los interruptores de 600 A y la cantidad máxima de contactos sea montada, no vuelva a montar la cubierta del mecanismo.

Calibre de cable: 1 - 2 x 18 - 14 AWG, 1 - 2 x 0.75 - 25 mm²
Par de apriete: 7 lbs.in, 0.78 Nm

200 A, 400 A



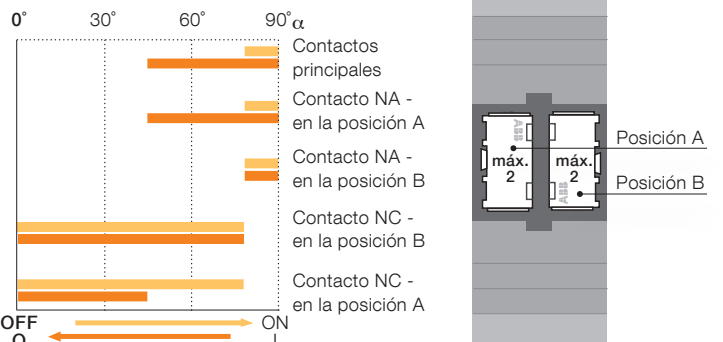


PELIGRO

PELIGRO DE DESCARGA ELÉCTRICA, EXPLOSIÓN O DESTELLO POR ARQUEO
 Lea detenidamente las instrucciones en la página 2/2 antes de continuar.

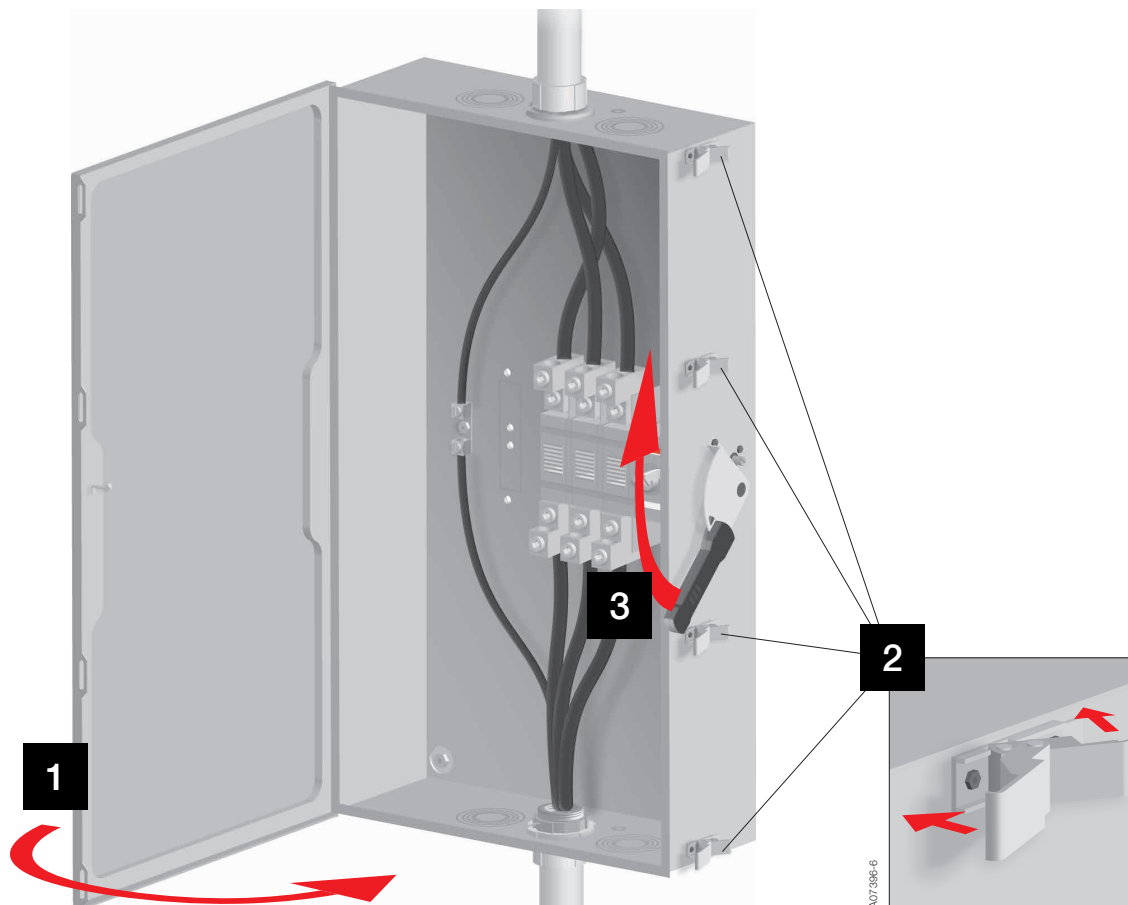
El incumplimiento de estas instrucciones puede causar muerte o lesiones serias.

600 A



Operación

Operación del interruptor



2

Cerradura del gabinete y operación hacia la posición ON

Cierre la puerta del gabinete y las cerraduras de acuerdo a la imagen. Opere el interruptor hacia la posición ON.

ATENCIÓN: La puerta debe de cerrarse firmemente con la cerradura antes de operar el interruptor



PRECAUCIÓN

PELIGRO DE LESIONES O DAÑO AL EQUIPO

No doble o fuerce el gancho para bloquear el mecanismo, bajo ninguna circunstancia. El gancho en posición incorrecta puede causar lesiones serias o daños al equipo.

El incumplimiento de estas instrucciones podrá causar lesiones o daño al equipo



PRECAUCIÓN

PELIGRO DE LESIONES O DAÑO AL EQUIPO

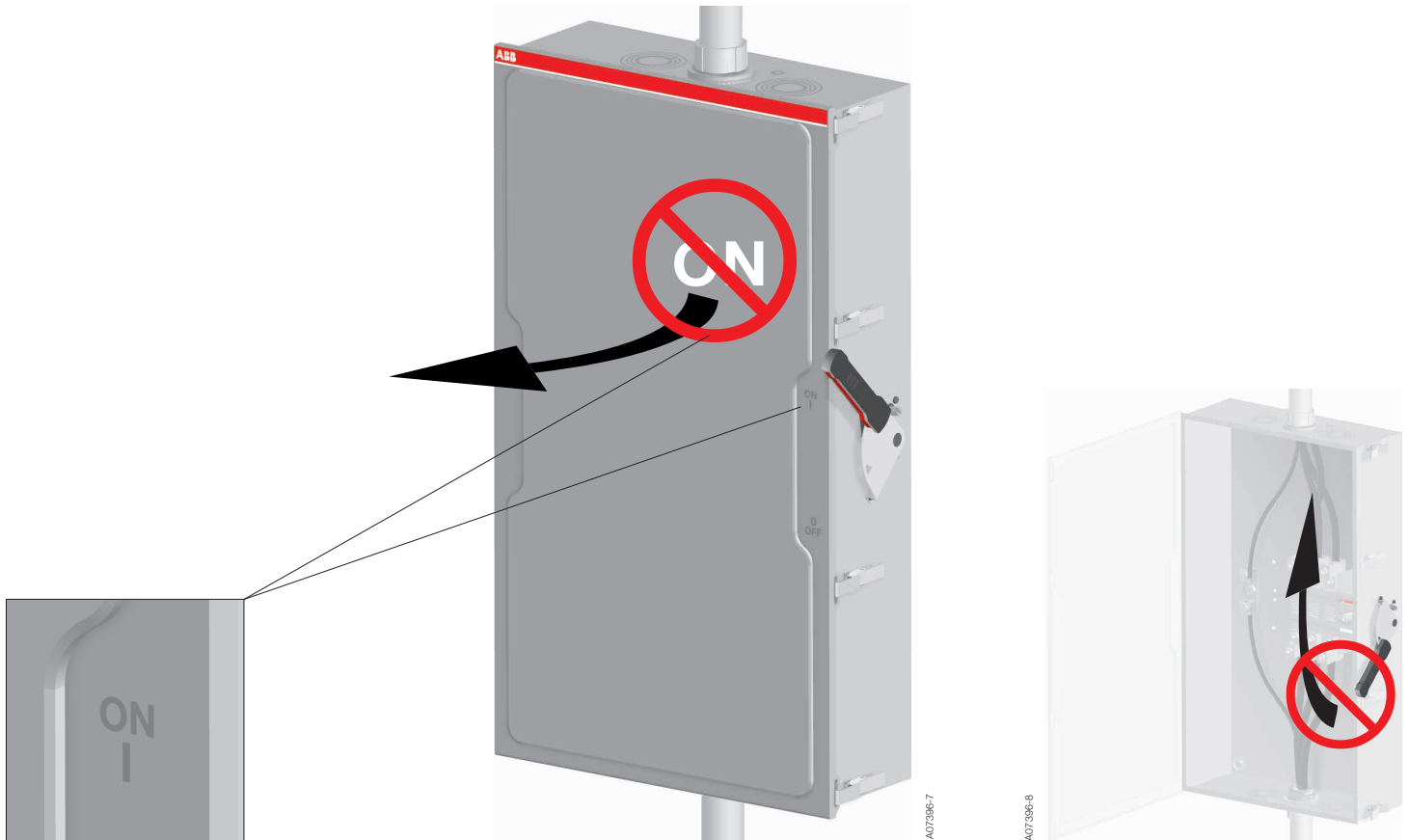
No fuerce la palanca en la posición de cerrado (ON) con la puerta abierta. Cuando está abierta la puerta, el bloqueo del mecanismo evita que se cierren las cuchillas del interruptor y que gire totalmente la palanca.

El incumplimiento de estas instrucciones podrá causar lesiones o daño al equipo

Operación

Mecanismo de operación

2



Mecanismo de bloqueo de puerta

El bloqueo de seguridad de la puerta previene la abertura de la puerta del gabinete cuando el interruptor está en la posición ON. En conjunto con el bloqueo del mecanismo, evita que el interruptor sea operado hacia la posición ON cuando la puerta del gabinete está abierta.

El bloqueo de seguridad de la puerta:

- Evita la apertura de la puerta del gabinete cuando el interruptor está en la posición ON (I), a menos de que se haga girar el tornillo desactivador en sentido de las manecillas del reloj para desactivar el bloqueo de puerta. Vea la página siguiente.
- Permite la apertura de la puerta del gabinete cuando el interruptor está en la posición OFF (O) sin hacer girar el tornillo desactivador.
- Hace que la puerta cierre completamente pero no se enlace con el interruptor en la posición OFF.
- Hace que la puerta cierre completamente y se mantenga cerrada cuando el interruptor esté en la posición ON (I)
- Será embragado mediante el bloqueo del mecanismo cuando el interruptor sea operado de la posición OFF (O) a ON (I), mientras la puerta del gabinete esté completamente cerrada.



PELIGRO

PELIGRO DE DESCARGA ELÉCTRICA, EXPLOSIÓN O DESTELLO POR ARQUEO

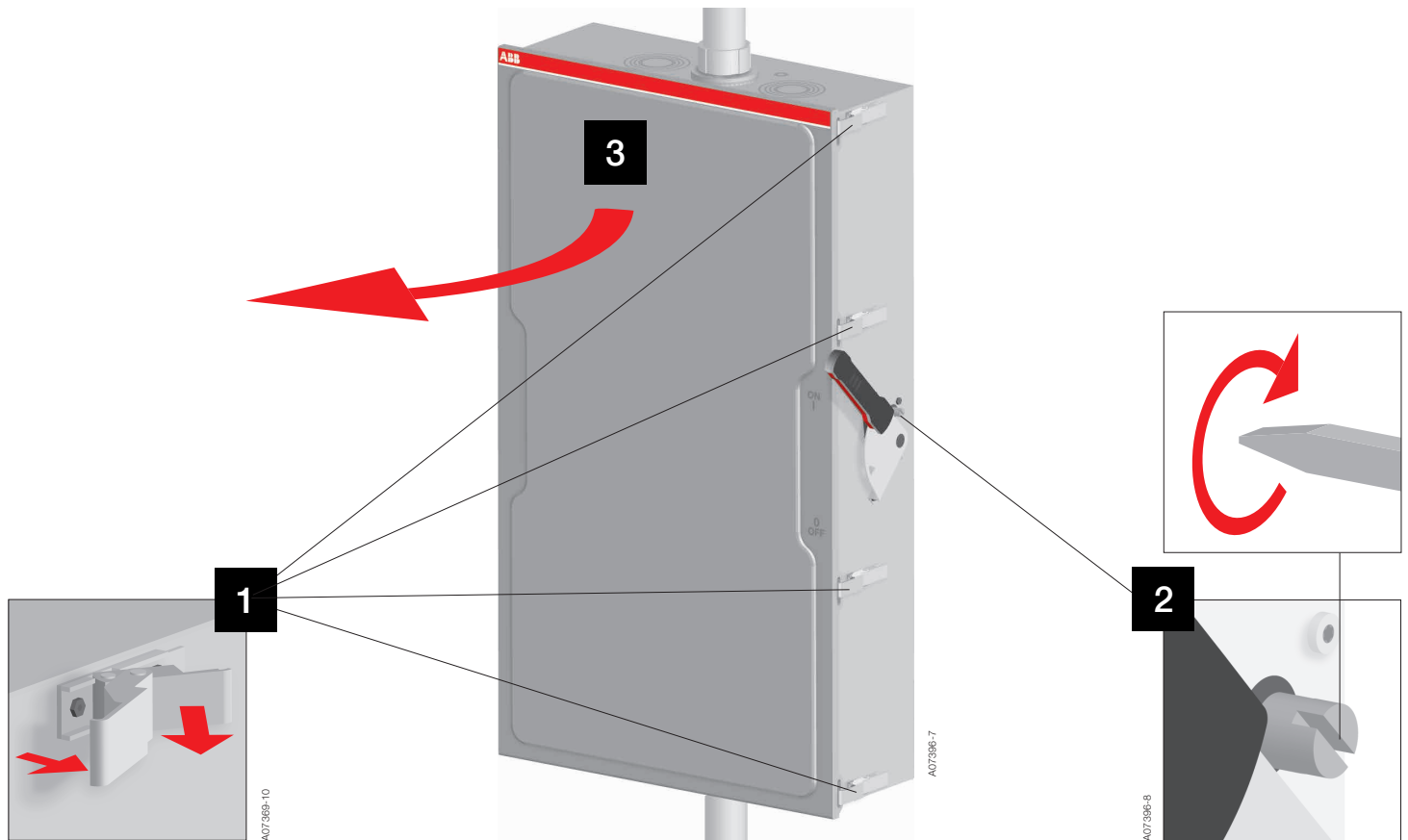
Lea detenidamente las instrucciones en la página 2/2 antes de continuar.

El incumplimiento de estas instrucciones puede causar muerte o lesiones serias

Operación

Mecanismo de operación

2



Vencimiento del mecanismo de bloqueo

La puerta del gabinete no puede ser abierta cuando el interruptor esté en la posición ON. Éste puede ser vencido por el personal autorizado para inspección

Atención: Solamente el personal especializado puede llevar a cabo esta acción.



PELIGRO

PELIGRO DE DESCARGA ELÉCTRICA, EXPLOSIÓN O DESTELLO POR ARQUEO

Al evitar el mecanismo de bloqueo de puerta se expone al operador a partes energizadas y no es recomendable. Solamente el personal especializado puede llevar a cabo esta acción.

El incumplimiento de estas instrucciones podrá causar lesiones o daño al equipo



PRECAUCIÓN

PELIGRO DE LESIONES O DAÑO AL EQUIPO

No doble o tuerza el gancho para bloquear el mecanismo, bajo ninguna circunstancia. El gancho en posición incorrecta puede causar lesiones serias o daños al equipo.

El incumplimiento de estas instrucciones podrá causar lesiones o daño al equipo



PELIGRO

PELIGRO DE DESCARGA ELÉCTRICA, EXPLOSIÓN O DESTELLO POR ARQUEO

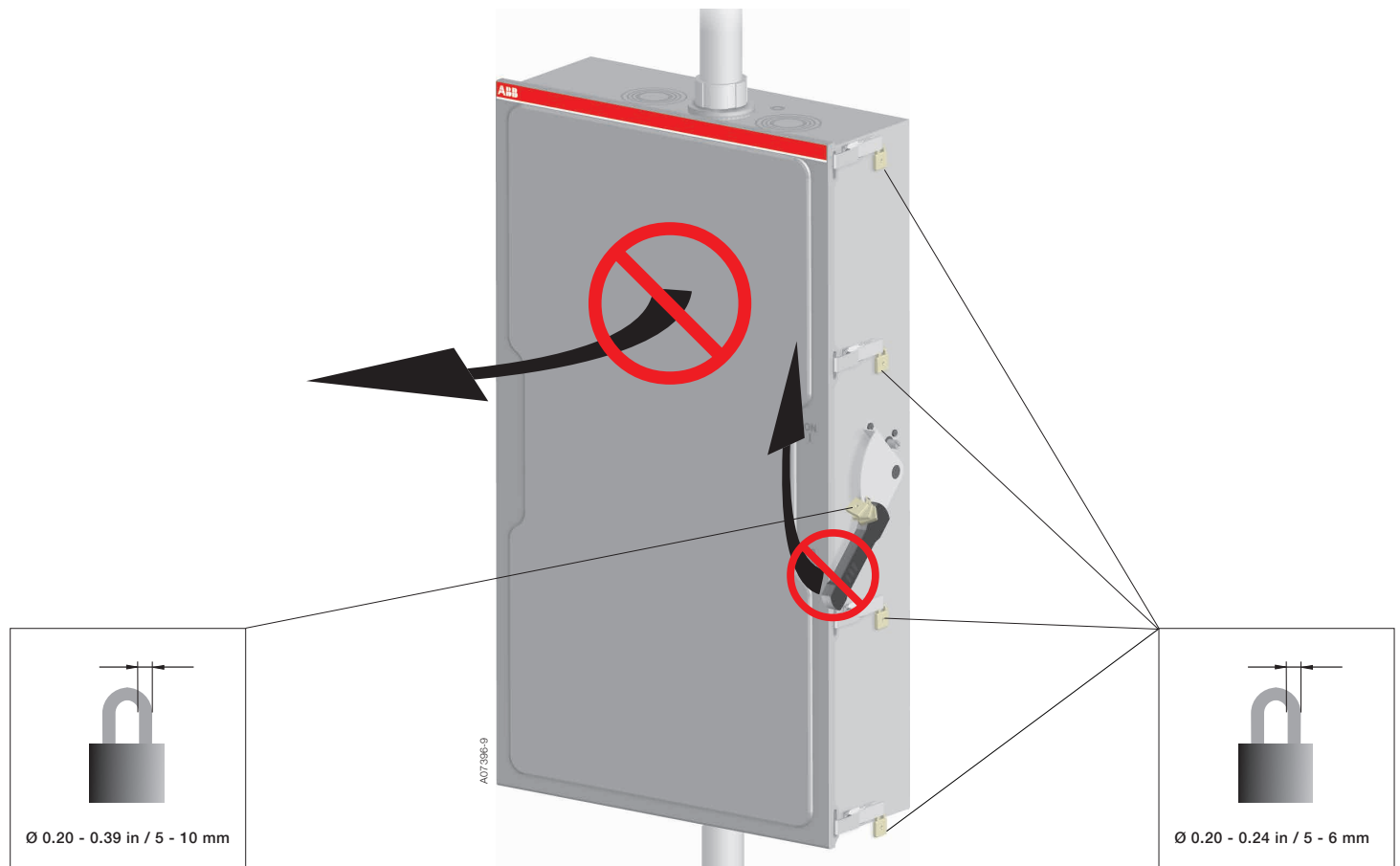
Lea detenidamente las instrucciones en la página 2/2 antes de continuar.

El incumplimiento de estas instrucciones podrá causar lesiones o daño al equipo

Operación

Enclavamiento de la palanca y cerradura

2



Enclavamiento de la palanca

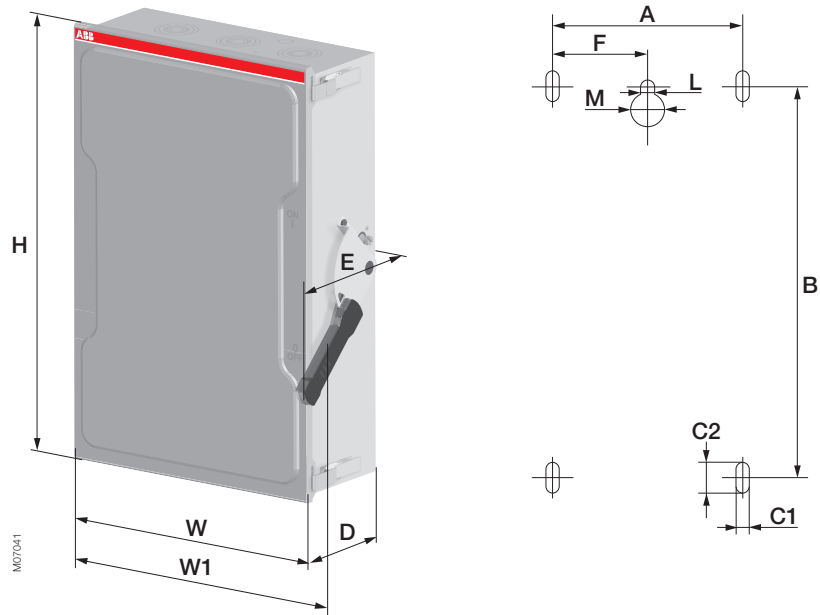
La palanca es candadeable en la posición OFF. Se pueden utilizar hasta tres candados.

Enclavamiento de la cerradura

La cerradura se puede enclavar usando un candado para prevenir acceso no autorizado al interior del gabinete.

Dimensiones generales

EOHU364K, EOHU365K, EOHU366K / NEMA 1 / 200 A, 400 A, 600 A



Número de catálogo	Tamaño									
	H		W		W1		D		E	
	[in]	[mm]	[in]	[mm]	[in]	[mm]	[in]	[mm]	[in]	[mm]
Tipo NEMA 1										
EOHU364K	25.35	644	17.28	439	18.54	471	7.48	190	10.28	261
EOHU365K	40.91	1039	22.99	584	24.53	623	8.78	223	10.83	275
EOHU366K	47.40	1204	22.99	584	24.53	623	8.78	223	10.83	286

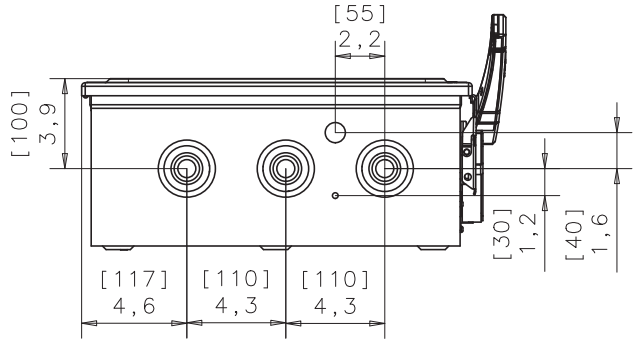
Número de catálogo	Dimensiones para montaje						Agujero para montaje							
	A		B		F		C1		C2		L		M	
	[in]	[mm]	[in]	[mm]	[in]	[mm]	[in]	[mm]	[in]	[mm]	[in]	[mm]	[in]	[mm]
Tipo NEMA 1														
EOHU364K	13.78	350	22.05	560	6.90	175	0.31	8	0.79	20	0.39	10	0.87	22
EOHU365K	19.69	500	37.60	955	9.84	250	0.31	8	0.79	20	1.56	14.3	0.98	25
EOHU366K	19.69	500	44.09	1120	9.84	250	0.31	8	0.79	20	1.56	14.3	0.98	25

Dimensiones generales

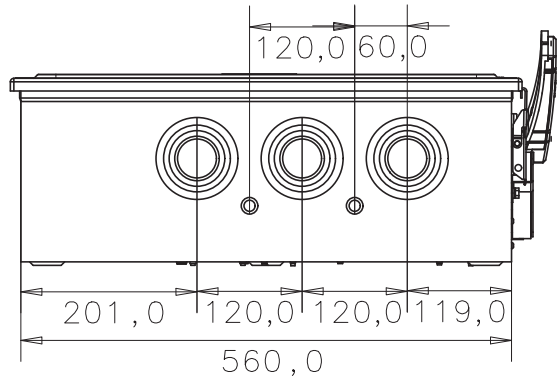
Salidas de cable/abertura tipo knockout

Para números de catálogo EOHU364K

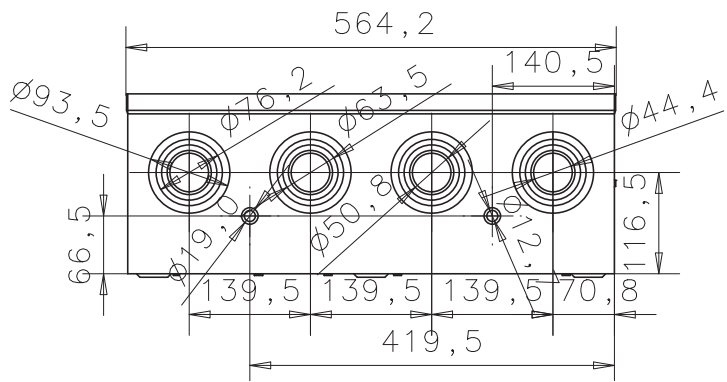
2



Para números de catálogo EOHU365K

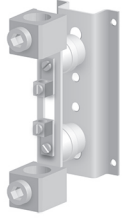


Para números de catálogo EOHU366K



Accesorios (opcional)

Información de pedido



EOHXSN4

Terminal de neutro

Tornillos incluidos de manera estándar. Unidades/No. de catálogo = 1 pieza.

Adecuado para interruptores	Incluye Zapata tipo	No. de catálogo	Peso/ unidad [kg]
Sólido, para fijar en placa de montaje			
E0HU364K	OZXA-400	EOHXSN4	0.3
E0HU365K, _6K	OZXA-800	EOHXSN56	0.7



EOHXSN56

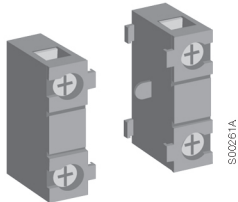
Contactos auxiliares, IP20

Numeración de contactos de acuerdo a EN 50013. Unidades/No. de catálogo = 1 pieza.

Un máximo de 8 piezas se puede instalar en dentro de la cubierta del mecanismo.

Adecuado para interruptores	Función	No. de catálogo	Peso/ unidad [kg]
E0HU364K, _5K, _6K	1NO	OA1G10	0.03
E0HU364K, _5K, _6K	1NO	OA1G10AU ¹⁾	0.03
E0HU364K, _5K, _6K	1NC	OA3G01	0.03
E0HU364K, _5K, _6K	1NC	OA3G01AU ¹⁾	0.03

¹⁾ Los tipos _AU están recubiertos en oro. Pueden ser utilizados para circunstancias difíciles o para tensiones muy bajas.



OA_

Conectores

Conector y tuerca: Zinc o aluminio libre de cobre.

- Aislante: Termoplástico, temperatura nominal 105 C
- Grado de inflamabilidad - 94V-0. Anillo de estanqueidad: Nitrile (BUNA "N")

Cumple con los requerimientos de sellado de NEMA 1

- Listado UL de acuerdo a la norma NEC® 501.10(B).
Certificación CSA para ubicaciones peligrosas clase II, Grupos E, F, G Clase III.
- Archivo UL No. E-23018, Archivo CSA No. 4484



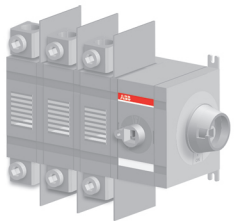
H_-TB

Adecuado para interruptores	Tamaño de conduit [in]	No. de catálogo	Peso/ unidad [kg]
E0HU365K, _6K	1/2	H050-TB	0.093
E0HU365K, _6K	3/4	H075-TB	0.125
E0HU364K	1 1/4	H125-TB	0.244
E0HU364K	1 1/2	H150-TB	0.281
E0HU364K, _5K, _6K	2	H200-TB	0.505
E0HU364K, _5K, _6K	2 1/2	H250-TB	0.847
E0HU365K, _6K	3	H300-TB	1.052
E0HU365K, _6K	3 1/2	H350-TB	1.347

Mantenimiento

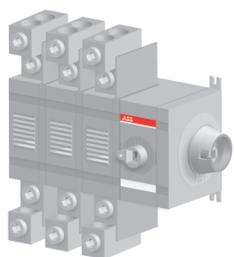
Piezas de repuesto, información de pedido

2



A07382

OT200US30EOHR



907304

OT400/600US30EOHR



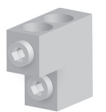
A07370

EOHH2



A07380

EOHLM_



A07372-3

OZXA-800_



A07428

OZXA-400_

Interruptores

Incluye zapata. Unidades/No. de catálogo = 1 pieza

Adecuado para interruptores	Corriente nominal [A]	Potencia máxima [HP] Trifásica			No. de catálogo	Peso/ unidad [kg]
		240 V	480 V	600 V		
EOHU364K	200	60	125	150	OT200US30EOHR	2.940
EOHU365K	400	150	250	350	OT400US30EOHR	6.300
EOHU366K	600	200	500	500	OT600US30EOHR	13.598

Otras partes de repuesto

Adecuado para interruptores	No. de catálogo	Peso/ unidad [kg]
Kit de palanca		
Palanca, protector de palanca y tornillos incluidos como estándar. Unidades/No. de catálogo = 1 pieza		
EOHU364K, _5K, _6K	EOHH2	0.350
Mecanismo de bloqueo de puerta		
Tornillos incluidos como estándar. Unidades/No. de catálogo = 1 pieza		
EOHU364K	EOHLM7	1.150
EOHU365K, _6K	EOHLM6	1.150
Zapatas para lado de línea/carga		
Tornillos incluidos como estándar. Unidades/No. de catálogo = 3 piezas		
EOHU364K	OZXA-400/3	0.067
EOHU365K, _6K	OZXA-800/3	0.207

Mantenimiento

Registro de Instalación y Mantenimiento

Mantenimiento

El interruptor es lubricado apropiadamente en la fábrica, por lo cual no se necesita lubricación adicional. Sin embargo, es necesario limpiarlo cuidadosamente después de la instalación de los cables, accesorios, fusibles y piezas de repuesto. Se recomienda limpiar e inspeccionar el cableado una vez al año.



PELIGRO

PELIGRO DE DESCARGA ELÉCTRICA, EXPLOSIÓN O DESTELLO POR ARQUEO

Lea detenidamente las instrucciones en la página 2/2 antes de continuar.

El incumplimiento de estas instrucciones puede causar muerte o lesiones serias

2

Registro de Instalación y Mantenimiento

Cualquier servicio de mantenimiento que se preste a este dispositivo debe de ser anotado en el registro de Instalación y Mantenimiento.

Fecha de instalación del interruptor de seguridad: _____

Descripción del servicio de mantenimiento prestado	Razón de mantenimiento	Observaciones especiales	Fecha de mantenimiento	Responsable del mantenimiento

EOHU Série

Interrupteurs de sécurité pour service intensif

Consignes générales de sécurité	3/2
Réception, manutention et entreposage	3/3
Application	3/4
Présentation du produit	3/5
EOHU364K, EOHU365K, EOHU366K	3/5
Caractéristiques techniques	3/6
Interrupteurs de sécurité pour service intensif	3/6
Câblage	3/7
Interrupteurs de sécurité pour service intensif	3/7
Cosse de neutre et contacts auxiliaires	3/8
Installation	3/9
Ouverture du boîtier	3/9
Éjecteurs pour les entrées de conduit	3/10
Montage	3/11
Filage	3/12
Assemblage neutre (optionnel)	3/13
Contacts auxiliaires (optionnel)	3/14
Fonctionnement	3/15
Porte du boîtier	3/15
Mécanisme d'opération	3/16
Cadenassage de poignée et verrous de porte	3/18
Dimensions	3/19
EOHU364K, EOHU365K, EOHU366K / NEMA 1 / 200 A, 400 A, 600 A	3/19
Sorties pour câbles / Éjecteurs concentriques	3/20
Accessoires (Optionnel)	3/21
Information pour commander	3/21
Entretien	3/22
Pièces de rechange, Information pour commander	3/22
Registre d'installation et d'entretien	3/23

Lisez ces consignes de sécurité avant d'utiliser ce produit!

3



DANGER

RISQUE DE CHOC ÉLECTRIQUE, D'EXPLOSION OU D'ARC ÉLECTRIQUE

- Portez un équipement de protection individuelle (EPI) approprié et observez les méthodes de travail électrique sécuritaire. Voir NFPA 70E ou CSA Z462.
- Cet appareil doit être installé et entretenu par du personnel qualifié seulement.
- Avant de procéder à des inspections visuelles, des essais ou l'entretien de l'équipement, débranchez toutes les sources d'énergie électrique. Présumer que tous les circuits sont encore sous tension, sauf s'ils sont complètement mis hors tension, testés, mise à la terre et étiquetés. Portez une attention particulière à la conception du système d'alimentation. Considérez toutes les sources d'énergie, y compris la possibilité de rétro-alimentation.
- Ne jamais mettre sous tension l'interrupteur avec la porte ouverte.
- Éteignez l'interrupteur avant de faire des raccordements sur le côté charge.
- Utilisez toujours un dispositif de détection de tension ayant une valeur nominale appropriée sur tous du côté ligne et charge pour s'assurer que l'interrupteur soit hors tension.
- Éteignez interrupteur d'alimentation électrique avant de faire tout autre travail à l'intérieur interrupteur.

Le non-respect de ces instructions peut entraîner des blessures graves ou même la mort.

Réception, manutention et entreposage

Réception et manutention

Dès réception, inspecter soigneusement l'interrupteur pour des dommages qui auraient pu survenir pendant le transport. Si des dommages sont évidents, ou il y a une indication visible d'une mauvaise manipulation, déposer immédiatement une réclamation auprès de la société de transport, et en aviser votre bureau de vente local ABB.

Ne retirez pas l'emballage d'expédition jusqu'à ce que le commutateur soit prêt à être installé.

Entreposage

Si l'appareil ne sera pas mis en service immédiatement, conservez l'interrupteur dans son emballage d'origine dans un endroit propre et sec. Pour éviter la condensation, maintenir une température constante. Stockez l'appareil dans un bâtiment chauffé, permettant une circulation d'air adéquate et une protection contre la saleté et de l'humidité. L'entreposage de l'appareil en plein air pourrait provoquer de la condensation nuisible à l'intérieur du boîtier du commutateur.

3



AVERTISSEMENT

RISQUE DE RENVERSEMENT DE MATERIEL

Lors d'un déplacement avec un chariot élévateur, ne pas retirer l'emballage d'expédition jusqu'à ce que le dispositif soit dans sa destination finale.

Le non-respect de ces instructions entraînera des blessures ou des dommages matériels.

La série EOHU d'interrupteurs de sécurité pour service intensif sont à 3 pôles, tension maximale 600V, logé dans des boîtiers en tôle d'acier, disponible en qualification environnementale de NEMA 1 avec commande latérale.

Les interrupteurs de sécurité pour service intensif offrent la possibilité d'ouvrir et de fermer manuellement un circuit. Ces produits peuvent être utilisés comme moyens de déconnexion ou dispositif de protection du circuit sur le côté de charge et conviennent pour une utilisation comme interrupteur de moteur.

Numéros de pièces:

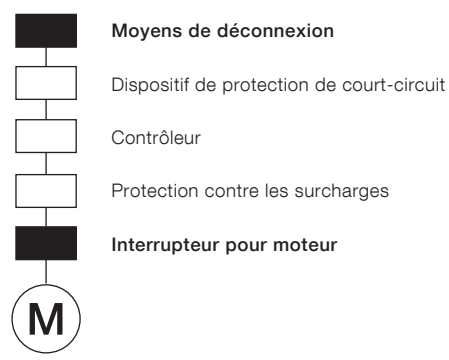
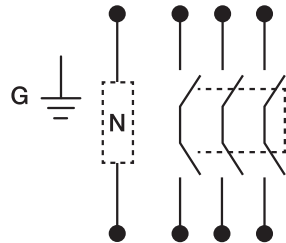
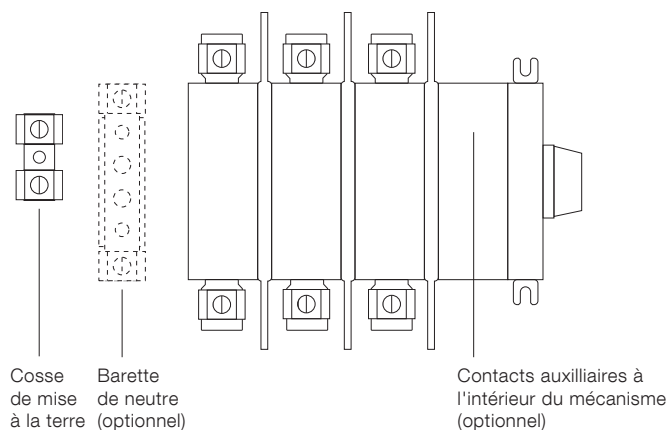
NEMA 1: EOHU364K, EOHU365K, EOHU366K

Courant nominal pour usage général: 200 A, 400 A et 600 A

Normes: UL98, UL50, NEMA KS1, CSA

Spécifications matérielles du boîtier: Acier électriquement galvanisé, revêtement de poudre de polyester, épaisseur: porte 0.059 in /1.5 mm (EOH364K/5K) et 0.079 in /2 mm (EOH366K), boîtier 0.059 in /1.5 mm (EOH364K/5K) et 0.079 in /2 mm (EOH366K), poignée: polyamide renforcé de verre (PA f1), polycarbonate (PC f1).

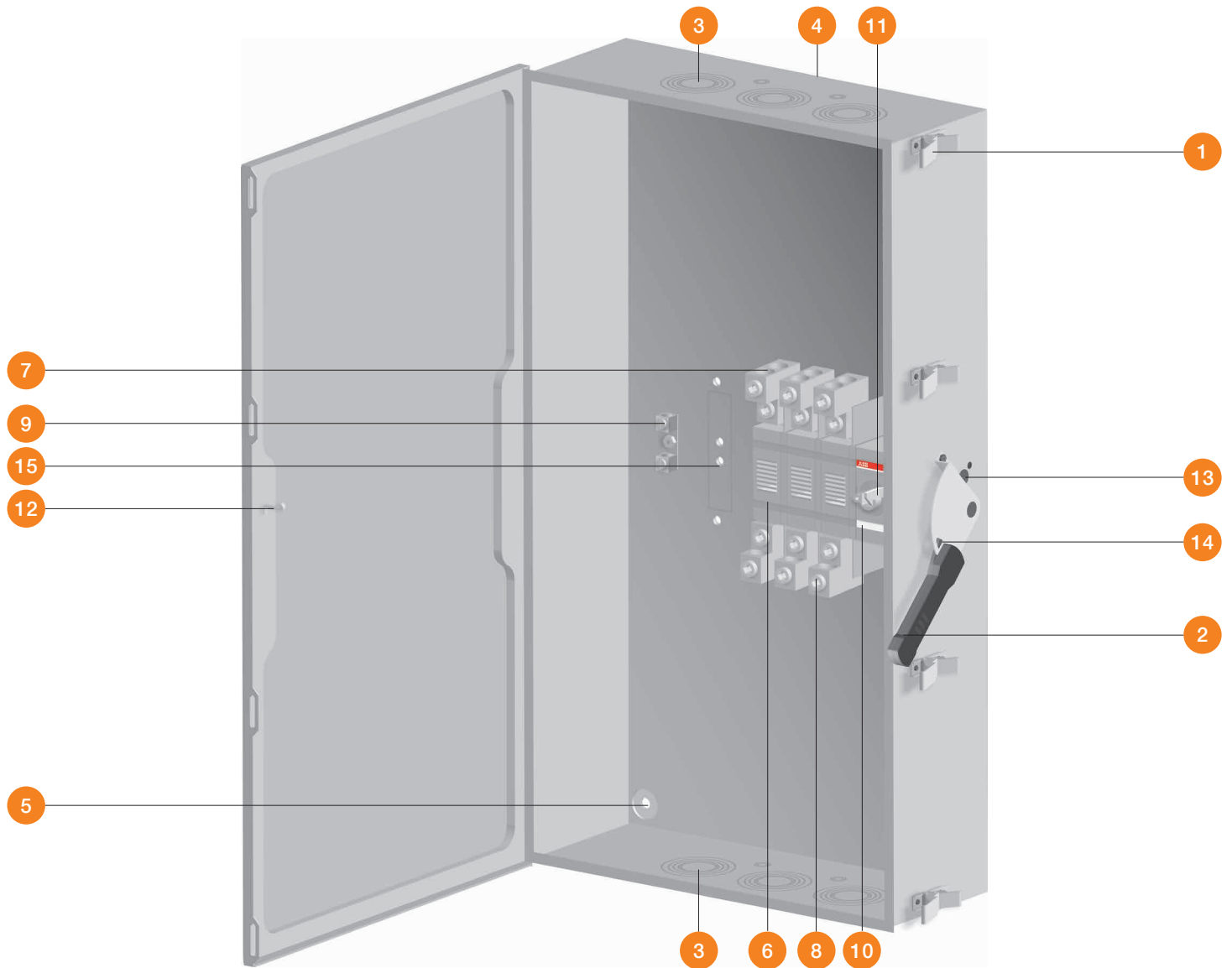
Couleur du boîtier: ANSI 61 (gris clair)



Le EOHU364K, EOHU365K, EOHU366K interrupteur de sécurité pour service intensif avec tension assignée jusqu'à 600 VAC, 3 phases avec la cosse de mise à la terre (inclus) et le lien neutre N (Optionnel)

Présentation du produit

EOHU364K, EOHU365K, EOHU366K



1. Serrures des portes
2. Poignée
3. Éjecteurs concentriques
4. Trous de perçage
5. Trous de fixation
6. Commutateur à 3 pôles à doubles contacts
7. Cosses entrantes
8. Cosses sortantes
9. Barre omnibus de mise à la terre (2 oreilles)

10. Mécanisme de fonctionnement, espace intérieur pour les contacts auxiliaires (en option)
11. Mécanisme de verrouillage de porte
12. Crochet de verrouillage pour mécanisme de verrouillage de porte
13. Vis de dérivation de verrouillage pour porte (Seul le personnel qualifié doit effectuer cette procédure)
14. Trou pour cadenasser la poignée (3 cadenas)
15. Espace pour le montage neutre (facultatif)

Caractéristiques techniques

Interrupteurs de sécurité pour service intensif

3

Interrupteurs de sécurité pour service intensif				EOHU364K	EOHU365K	EOHU366K
AMPS			A	200	400	600
Courant nominal pour usage général			A	200	400	600
Max. chevaux nominal	Triphasé	240 V	HP	60	125	200
		480 V	HP	125	250	400
		600 V	HP	150	350	500
Puissance moteur maximale	Triphasé	240 V	A	192	360	480
		480 V	A	156	302	477
		600 V	A	144	336	472
Pouvoir de coupure nominale	Fusible de type R, J ou T	480 V	kA	200	200	200
	Fusible de type R	600 V	kA	200	100	200
	Fusible de type J ou T	600 V	kA	200	200	200
Bornes de mise à la terre						
Cosses de mise à la terre				OZXG1	OZXG2	OZXG2
Température nominale			°F	167	167	167
			°C	75	75	75
Contacts auxiliaires, (optionel)						
Contacts auxiliaires Appropriés		Fonction	1NO	OA1G10	OA1G10	OA1G10
			1NF	OA3G01	OA3G01	OA3G01
Classification NEMA, AC				AC600	AC600	AC600
Tension nominale AC			VAC	600	600	600
Courant thermique nominal AC			A	10	10	10
VA maximal à l'ouverture, AC			VA	7200	7200	7200
VA maximal à la fermeture, AC			VA	720	720	720
Classification NEMA, DC				R300	R300	R300
Voltage nominale DC			VDC	300	300	300
Courant thermique nominal DC			A	1	1	1
VA maximal ouverture-fermeture			VA	28	28	28

Câblage

Interrupteurs de sécurité pour service intensif

Emplacements entrée / sortie câble: Entrée du haut, sortie du bas. Entrée de câble/sortie par le haut/bas des parois maximisent la zone de pliage du câble. Toutes les entrées / sorties de câble doivent être en conformité avec le Code national de l'électricité et tous les autres codes locaux. Utiliser clé à molette ou hexagonale 3/8 (200 A) et 1/2 (400 A et 600 A). Voir le chapitre Filage.



AVERTISSEMENT

Éteignez interrupteur d'alimentation électrique avant de faire tout autre travail à l'intérieur interrupteur. Le non-respect de ces instructions peut entraîner des blessures graves ou même la mort.

3

Interrupteurs de sécurité pour service intensif		EOHU364K	EOHU365K	EOHU366K
AMPS		200	400	600
Entrants cosses				
Cosses		OZXA-400	OZXA-800	OZXA-800
Couple: serrage de fil (Cu/Al Gamme filage)	lbs.in	375	500	500
	Nm	41.8	55.7	55.7
Couple de serrage pour cosses	lbs.in	228	480	480
	Nm	25.4	53.5	53.5
Gamme filage	kcmil	#2 - 250	(2) #2 - 500	(2) #2 - 600
	mm ²	35 - 120	2 × 35 - 240	2 × 35 - 300
Sortants cosses				
Cosses		OZXA-400	OZXA-800	OZXA-800
Couple: serrage de fil (Cu/Al Gamme filage)	lbs.in	375	500	500
	Nm	41.8	55.7	55.7
Couple de serrage pour cosses	lbs.in	228	480	480
	Nm	25.4	53.5	53.5
Gamme filage	kcmil	#2 - 250	(2) #2 - 500	(2) #2 - 600
	mm ²	35 - 120	2 × 35 - 240	2 × 35 - 300
Cosses de mise à la terre (2 cosses)				
Tournevis		Plat	5/16" Hex	5/16" Hex
Type de cosses de mise à la terre		OZXG1	OZXG2	OZXG2
Couple: serrage de fil	lbs.in	50	275	275
	Nm	5.6	31.1	31.1
Couple de serrage maximum du goujon	lbs.in	72	72	72
	Nm	8.1	8.1	8.1
Gamme filage	AWG	#14 - 2	#6 - 250 kcmil	#6 - 250 kcmil
	mm ²	2.5 - 35	10 - 120	10 - 120

Câblage

Cosse de neutre et contacts auxiliaires

Câblage / Cosse de neutre, en option

Utiliser clé à molette ou hexagonale 3/8 (200 A) et 1/2 (400 A et 600 A). Voir le chapitre Installation / Assemblage neutre.

Interrupteurs de sécurité pour service intensif			EOHU364K	EOHU365K	EOHU366K
AMPS	A		200	400	600
Type de cosses approprié			EOHXS4	EOHXS56	EOHXS56
Cosses de neutre / Goujon					
Cosses			OZXA-400	OZXA-800	OZXA-800
Couple: serrage de fil	Cuivre	lbs.in	375	500	500
		Nm	41.8	55.7	55.7
Couple: serrage de fil	Aluminium	lbs.in	375	500	500
		Nm	41.8	55.7	55.7
Couple de serrage maximum du goujon		lbs.in	228	480	480
		Nm	25.4	53.5	53.5
Taille filage		AWG	#2 - 600 kcmil	(2) #2 - 600 kcmil	(2) #2 - 600 kcmil
		mm ²	35 - 300	2×35 - 300	2×35 - 300

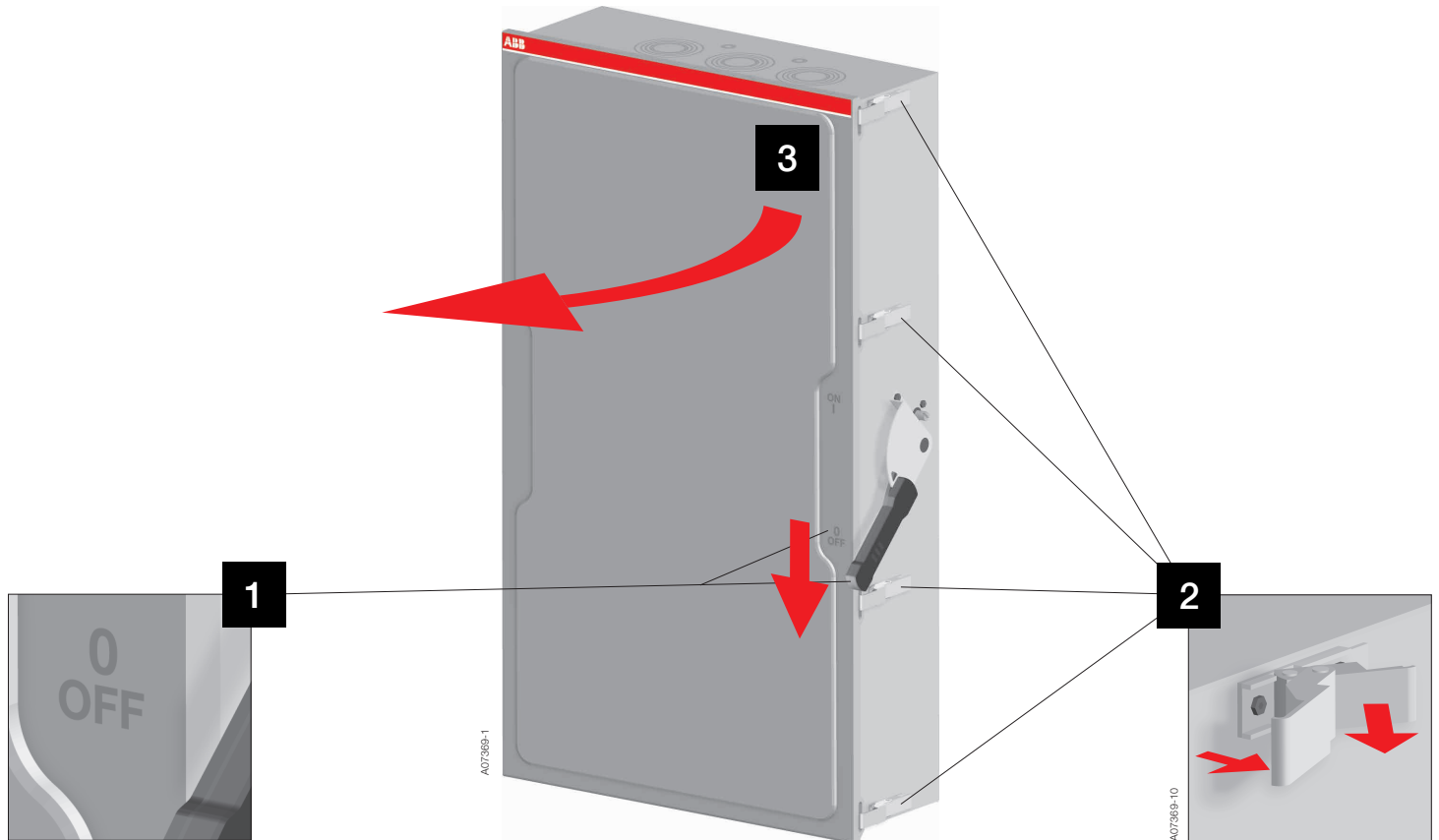
Câblage / Contacts auxiliaires, en option

Utiliser tournevis plat ou pozi-drive #2. Voir le chapitre Installation / Contacts auxiliaires.

Contacts auxiliaires, types OA1G10 (1N0), OA3G01 (1NF)	
NEMA	A600, R300
Taille Filage	1 - 2 × #18 - 14 AWG
	1 - 2 × 0.75 - 2.5 mm ²
Couple	7 lbs.in
	0.78 Nm

Installation

Ouverture du boîtier



Ouverture du boîtier

Actionner l'interrupteur à la position OFF et ouvrir le verrou de porte selon l'image. Ouvrez le boîtier.

! ATTENTION

RISQUE DE BLESSURES OU DE DOMMAGES MATÉRIELS

En aucun cas ne pas plier ou tordre le crochet de verrouillage fixé sur la porte. La mauvaise position du crochet de la porte provoque un dysfonctionnement du mécanisme de verrouillage qui peut entraîner des blessures ou des dommages matériels.

Le non-respect de ces instructions peut entraîner des blessures ou des dommages matériels.

! DANGER

RISQUE DE CHOC ÉLECTRIQUE, D'EXPLOSION OU D'ARC ÉLECTRIQUE

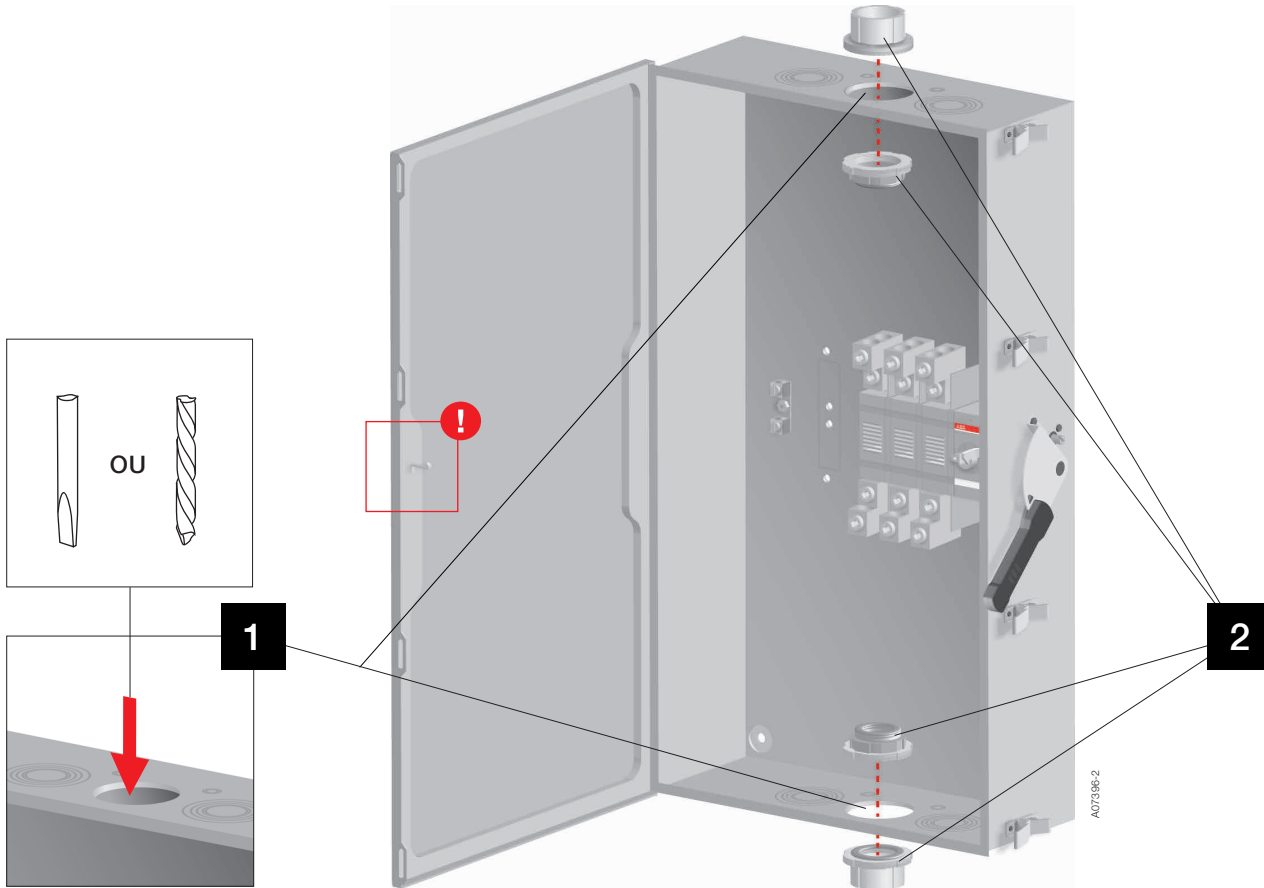
Voir les instructions générales de sécurité à la page 3/2 avant de continuer.

Le non-respect de ces instructions entraînera la mort ou des blessures graves.

Installation

Éjecteurs pour les entrées de conduit

3



Entrée de câble / sortie, éjecteurs pour les entrées de conduit

Les éjecteurs concentriques pour des entrées de conduit sont fournis dans le haut et le bas du boîtier. Choisissez la taille et la quantité nécessaire. Installer les entrées de conduits. Vérifiez toutes les pièces pour de possibles copeaux métalliques. Retirez les copeaux.

Numéro de catalogue	Entrée sortie câble / Éjecteur haut et bas	
	[ø pouces]	[ø mm]
EOHU364K	3×(ø2.5+ø2+ø1.5+ø1.25+ø0.79)+ ø0.25+ø0.9	3×(ø63.5+ø50.8+ø38.1+ø31.75+ø20)+ ø6.35+ø22.4
EOHU365K	3×(ø3.5+ø3+ø2.5+ø2+ø1.57)+2× (ø0.75+ø0.5)	3×(ø88.9+ø76.2+ø63.5+ø50.8+ø40)+ 2×(ø19.05+ø12.7)
EOHU366K	4×(ø3.5+ø3+ø2.5+ø2+ø1.57)+2× (ø0.75+ø0.5)	4×(ø88.9+ø76.2+ø63.5+ø50.8+ø40)+ 2×(ø19.05+ø12.7)



ATTENTION

Le boîtier doit maintenir la classification NEMA lors de l'installation entrée de câble / sortie. Il est interdit de pratiquer des ouvertures supplémentaires, à l'exception de l'entrée de câble au boîtier. ABB n'assume aucune responsabilité à l'égard de conséquences qui pourraient découler de l'installation de l'entrée/sortie de câble ou de toute ouverture supplémentaire pratiquée dans le boîtier.



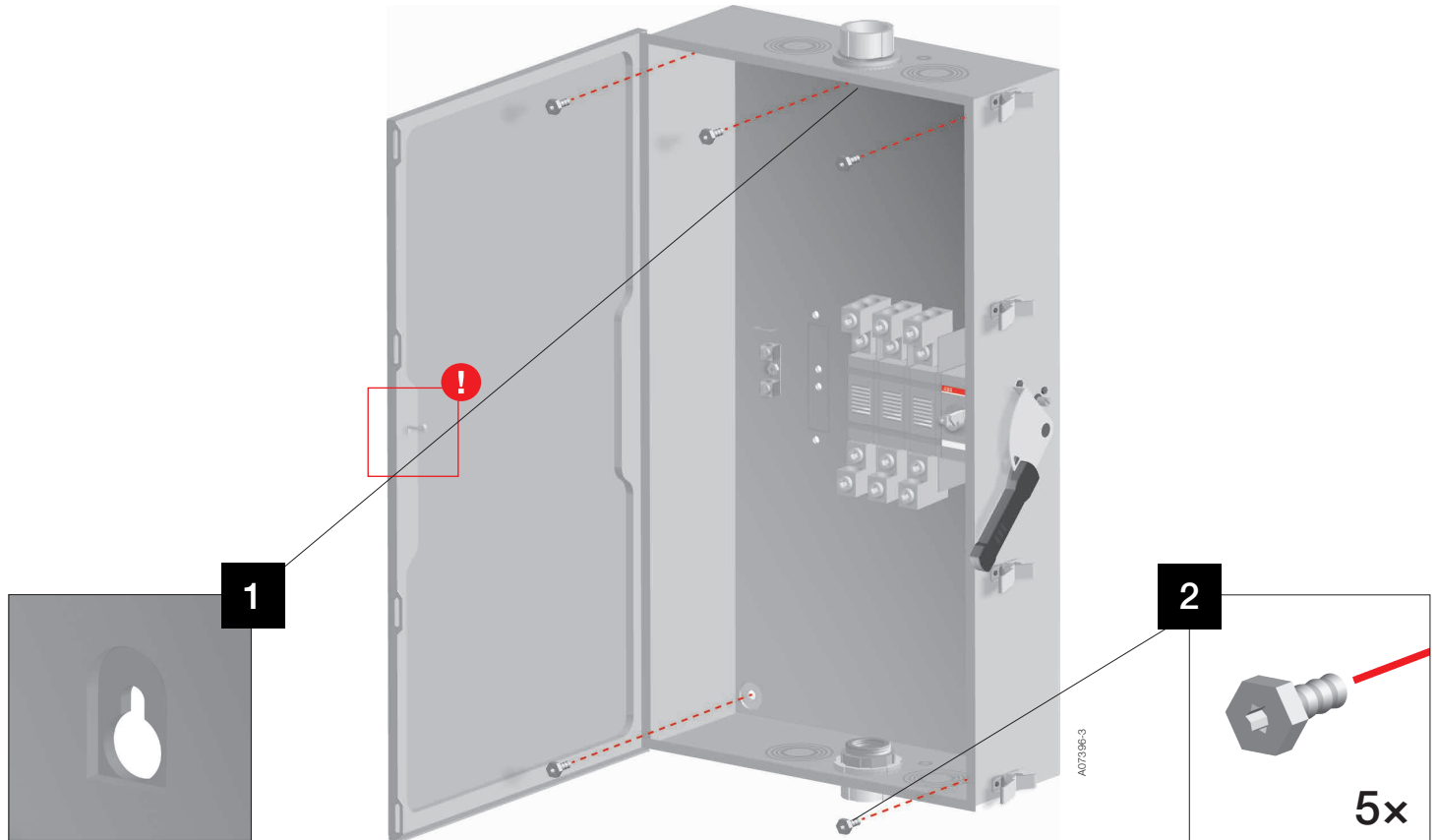
ATTENTION

RISQUE DE BLESSURES OU DE DOMMAGES MATÉRIELS

En aucun cas ne pas plier ou tordre le crochet de verrouillage fixé sur la porte. La mauvaise position du crochet de la porte provoque un dysfonctionnement du mécanisme de verrouillage qui peut entraîner des blessures ou des dommages matériels.

Le non-respect de ces instructions peut entraîner des blessures ou des dommages matériels.

Installation Montage



3

Montage de l'interrupteur de sécurité sur le mur et 'autres solutions de soutien

Montez l'interrupteur de sécurité en utilisant vis (2) 3/16" et vis (2) 5/16". Utiliser le trou de montage pour accrocher l'enceinte tout en sécurisant les autres vis de montage. Vérifiez que la capacité de charge de montage mural et autre solutions de soutien est suffisante par rapport au poids, la taille et le mode de fixation de l'interrupteur de sécurité et conforme aux exigences locales.

Ancrages:

- Montage au mur
- Montage dans cabinet sur surface plate pour éviter toute distortion
- Au besoin, utiliser des cales



ATTENTION

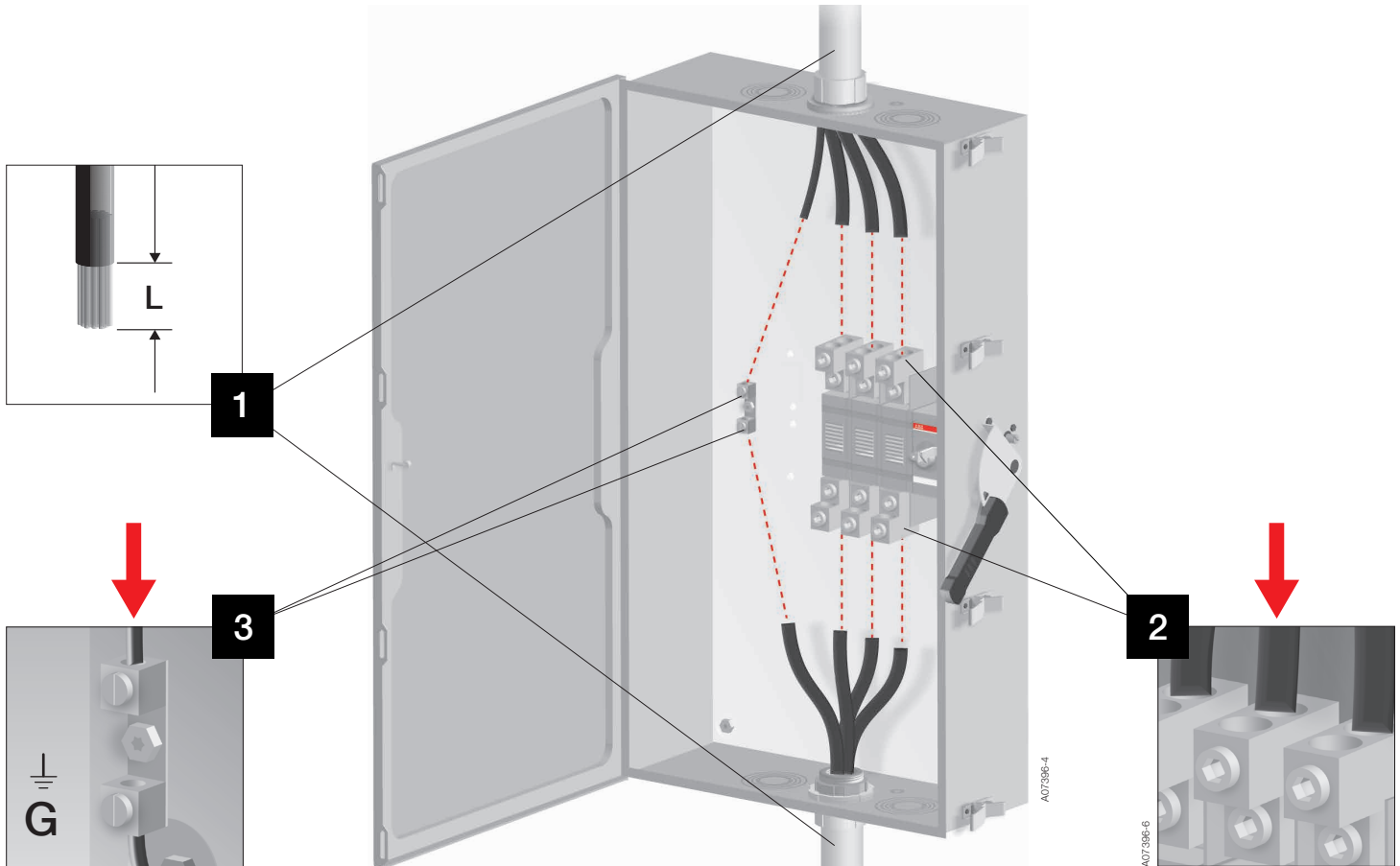
RISQUE DE BLESSURES OU DE DOMMAGES MATÉRIELS

En aucun cas ne pas plier ou tordre le crochet de verrouillage fixé sur la porte. La mauvaise position du crochet de la porte provoque un dysfonctionnement du mécanisme de verrouillage qui peut entraîner des blessures ou des dommages matériels.

Le non-respect de ces instructions peut entraîner des blessures ou des dommages matériels.

Installation Filage

3



Filage

Branchez les câbles d'alimentation au commutateur et connecter le fil de mise à la terre à la borne de terre à l'intérieur du boîtier. Veuillez-vous référer au code national électrique et les codes locaux pour la taille de fil approprié et les exigences de mise à la terre. Voir le chapitre Câblage. Tous les câbles doivent avoir une classification minimum de 167 °F / 75 °C.

Un support de câblage adéquat doit être fourni par l'installateur, les bornes de l'interrupteur n'étant pas faites pour supporter le poids des câbles. Courber les câbles avec précaution pour ne

pas imposer de contrainte sur les bornes de ligne et de charge. Une contrainte trop forte risque de déformer les bornes et d'altérer le fonctionnement de l'interrupteur.

Interrupteur de sécurité grandeur [A]	Bornes d'entrée et de sortie	Cosses de mise à la terre		
	Taille filage [kcmil/mm ²]			
200	2 - 250 / 35 - 120	#14 - 2 / 2.5 - 35		
400	(2) #2 - 500 / 2 × 35 - 240	#6 - 250 / 10 - 120		
600	(2) #2 - 600 / 2 × 35 - 300	#6 - 250 / 10 - 120		
	Longueur de dénudage de fil L [in / mm]			
200	1.10 - 1.18 / 28 - 30	0.39 - 0.47 / 10 - 11.9		
400	1.34 - 1.42 / 34 - 36	0.91 - 0.99 / 23 - 25		
600	1.34 - 1.42 / 34 - 36	0.91 - 0.99 / 23 - 25		
	Couple: serrage de fil			
	[lbs.in]	[Nm]	[lbs.in]	[Nm]
200	375	41.8	50	5.6
400	500	55.7	275	31.1
600	500	55.7	275	31.1



DANGER

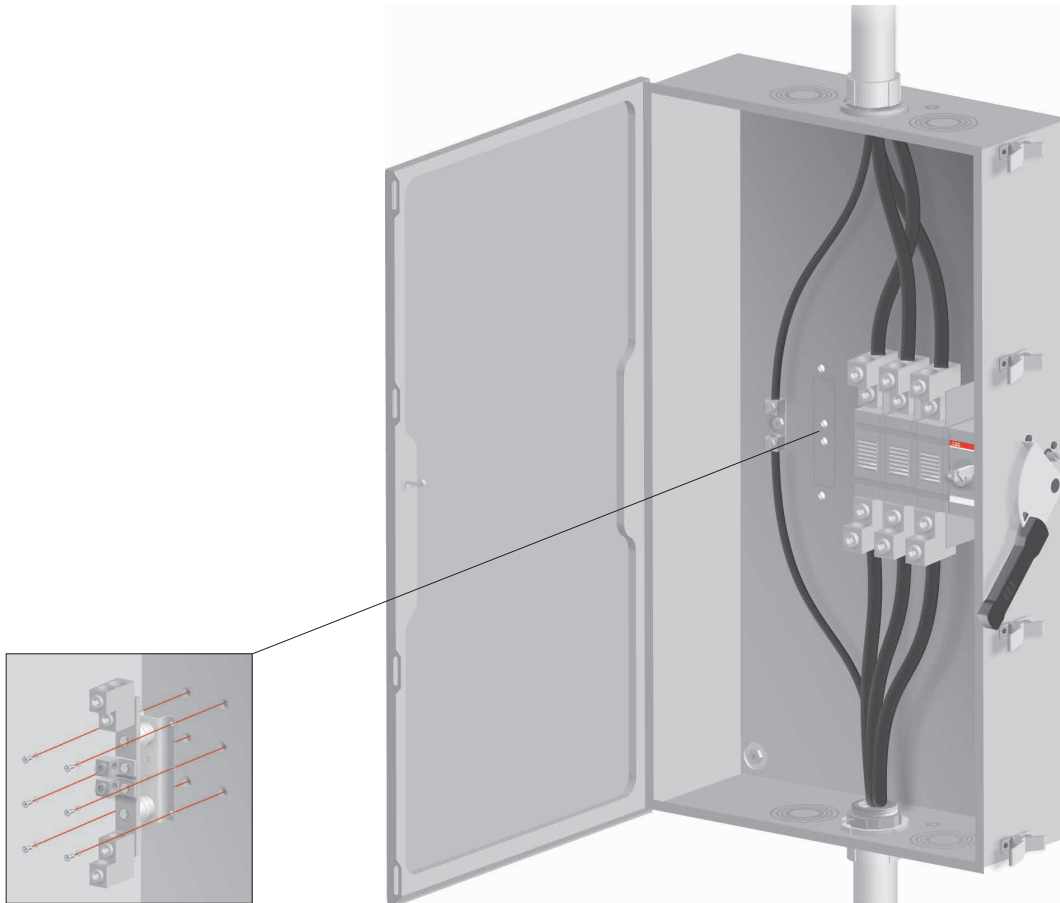
RISQUE DE CHOC ÉLECTRIQUE, D'EXPLOSION OU D'ARC ÉLECTRIQUE

Voir les instructions générales de sécurité à la page 3/2 avant de continuer.

Le non-respect de ces instructions entraînera la mort ou des blessures graves.

Installation

Assemblage neutre (optionnel)



Assemblage neutre (EOHXS4 et EOHXS56), optionnel
 Installer le lien neutre à la plaque de fond de l'interrupteur de sécurité aux trous filetés déjà existants selon l'image. Voir le chapitre Câblage.

Taille filage:

EOHXS4: #2 - 600 kcmil / 35 - 300 mm²

EOHXS56: (2) #2 - 600 kcmil / 2 x 35 - 300 mm²

Interrupteur de sécurité grandeur [A]	Assemblage neutre, Numéro de catalogue	Couple: serrage de fil			
		Cuivre		Aluminium	
		[lbs.in]	[Nm]	[lbs-in]	[Nm]
200	EOHXS4	375	41.8	375	41.8
400	EOHXS56	500	55.7	500	55.7
600	EOHXS56	500	55.7	500	55.7



DANGER

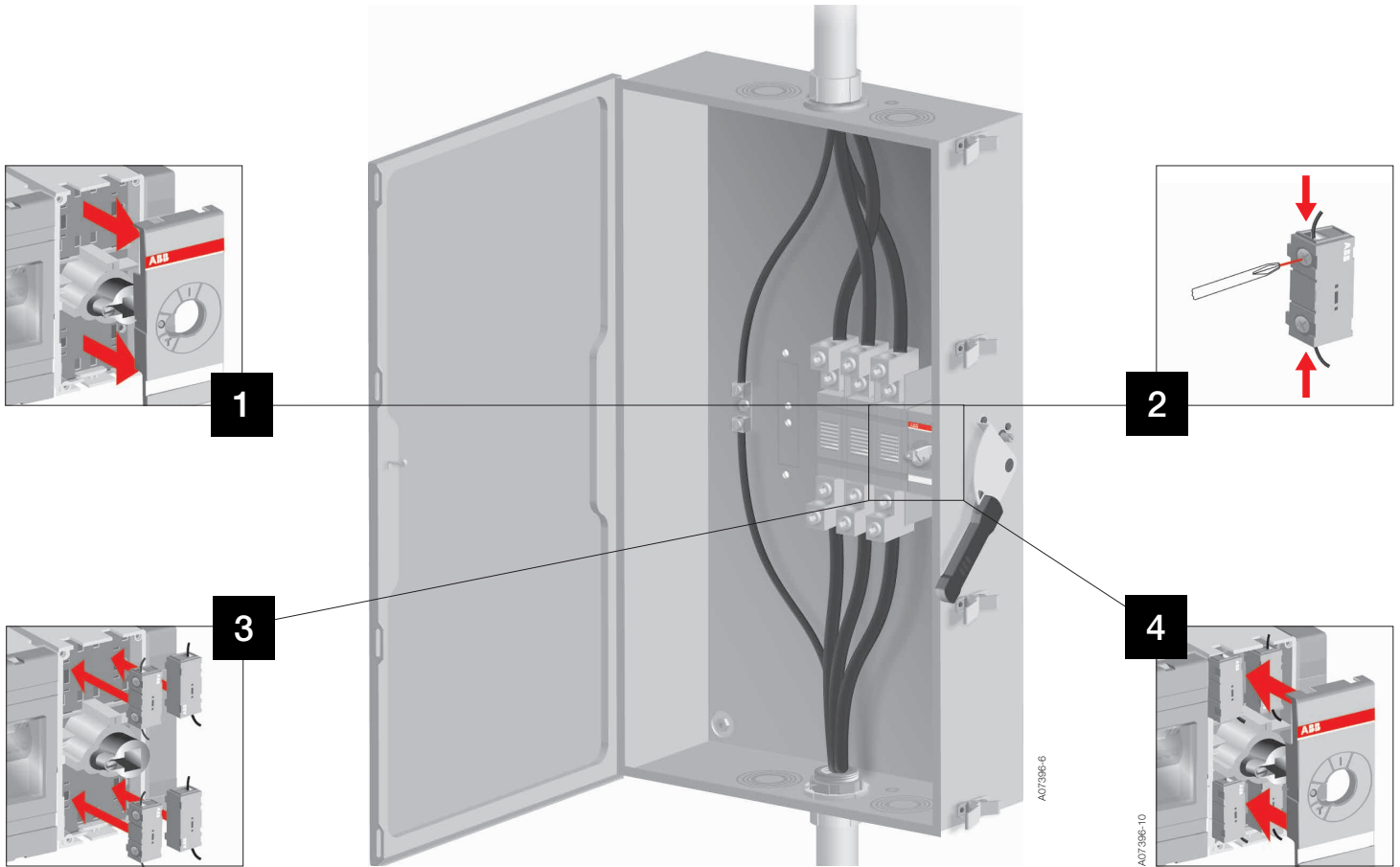
RISQUE DE CHOC ÉLECTRIQUE, D'EXPLOSION OU D'ARC ÉLECTRIQUE

Voir les instructions générales de sécurité à la page 3/2 avant de continuer.

Le non-respect de ces instructions entraînera la mort ou des blessures graves.

Installation

Contacts auxiliaires (optionnel)



Contacts auxiliaires OA1G10 et OA3G01 (optionnel)

Installer les contacts auxiliaires sur le mécanisme de l'interrupteur de sécurité conformément aux dessins. En guise d'exemple, la photo n° 3 illustre le montage de contacts auxiliaires dans des boîtiers d'interrupteurs de sécurité de 200 A et de 400 A. Dans le cas des interrupteurs de sécurité de 600 A, le couvercle du mécanisme est retiré lorsque le nombre maximal de contacts auxiliaires est utilisé (3 ou 4 pièces). Se reporter au chapitre portant sur le câblage. **Taille filage:** 1 - 2 x 18 - 14 AWG, 1 - 2 x 0.75 - 25 mm². **Couple:** 7 lbs.in, 0.78 Nm.



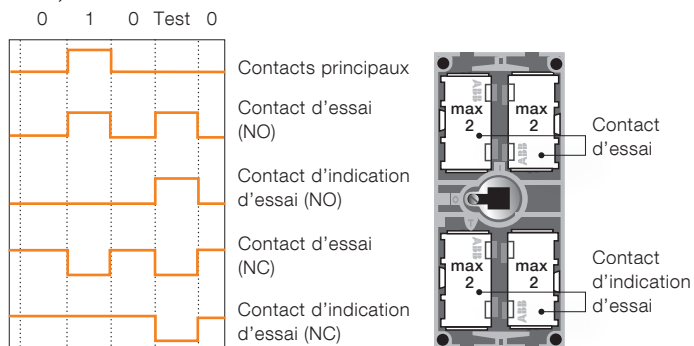
DANGER

RISQUE DE CHOC ÉLECTRIQUE, D'EXPLOSION OU D'ARC ÉLECTRIQUE

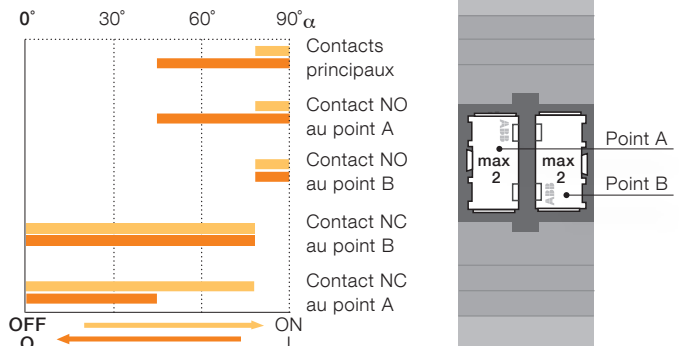
Voir les instructions générales de sécurité à la page 3/2 avant de continuer.

Le non-respect de ces instructions entraînera la mort ou des blessures graves.

200 A, 400 A

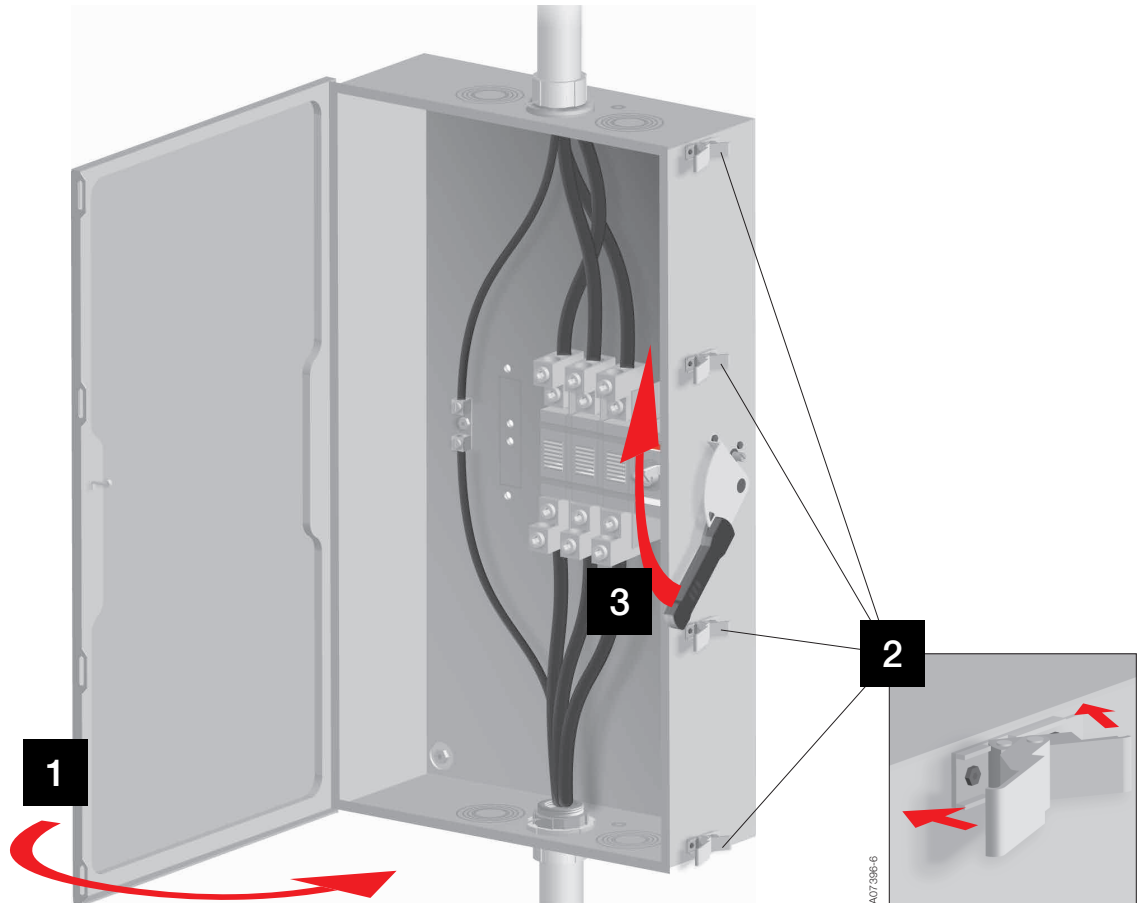


600 A



Fonctionnement

Porte du boîtier



La fermeture du boîtier et le fonctionnement à la position MARCHÉ

Fermez la porte du boîtier et les verrous selon l'image.
Actionner l'interrupteur à la position MARCHÉ.

NOTE: La porte doit être fermée et solidement fixée avec les verrous de porte avant que l'interrupteur soit actionné.

! ATTENTION

RISQUE DE BLESSURES OU DE DOMMAGES MATÉRIELS

En aucun cas ne pas plier ou tordre le verrou fixé sur la porte
La mauvaise position du verrou de la porte provoque un dysfonctionnement du mécanisme de verrouillage qui peut entraîner des blessures corporelles ou des dommages matériels.

Le non-respect de ces instructions peut entraîner des blessures corporelles ou des dommages matériels.

! ATTENTION

RISQUE DE BLESSURES CORPORELS OU DE DOMMAGES MATÉRIELS

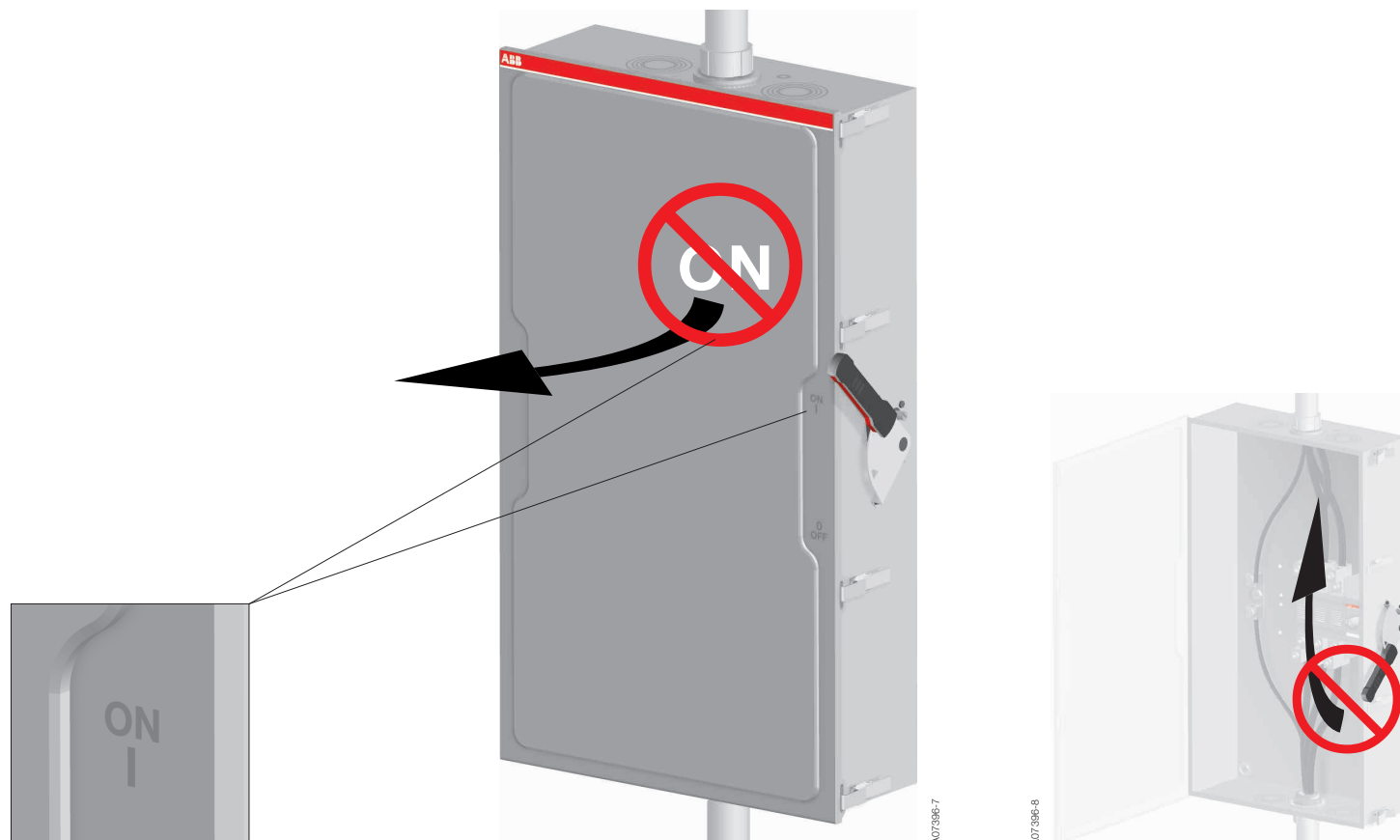
Ne pas forcer la poignée à la position MARCHÉ (I) avec la porte ouverte.
Lorsque la porte est ouverte, le mécanisme de verrouillage empêche les lames d'aiguillage de fermeture et la poignée de pivoter complètement.

Le non-respect de ces instructions peut entraîner des blessures corporelles ou des dommages matériels.

Fonctionnement

Mécanisme d'opération

3



Mécanisme de verrouillage de porte

Un verrou de porte empêche l'ouverture de la porte du boîtier si l'interrupteur est en position MARCHE. Il agit également en liaison avec le mécanisme de verrouillage, ce qui empêche le fonctionnement de la position MARCHE si la porte du boîtier est ouverte.

Le Verrou de la porte:

- A. Empêche l'ouverture de la porte du boîtier lorsque l'interrupteur est en position MARCHE (I), sauf si la vis de dérivation de verrouillage est tournée dans le sens antihoraire pour vaincre le verrouillage de la porte, voir page suivante.
- B. Permet d'ouvrir la porte du boîtier avec l'interrupteur en position ARRÊT (O) sans tourner la vis de dérivation de verrouillage.
- C. La porte se ferme complètement, mais ne s'enclenche pas avec l'interrupteur en position ARRÊT (O).
- D. La porte se ferme complètement et sera maintenue fermée par le verrouillage de la porte lorsque l'interrupteur est en position MARCHE (I).

E. Avec la porte complètement fermée, le mécanisme de verrouillage va engager le verrouillage de la porte lorsque l'interrupteur est éjecté de la position ARRÊT (O) à la position MARCHE (I).



DANGER

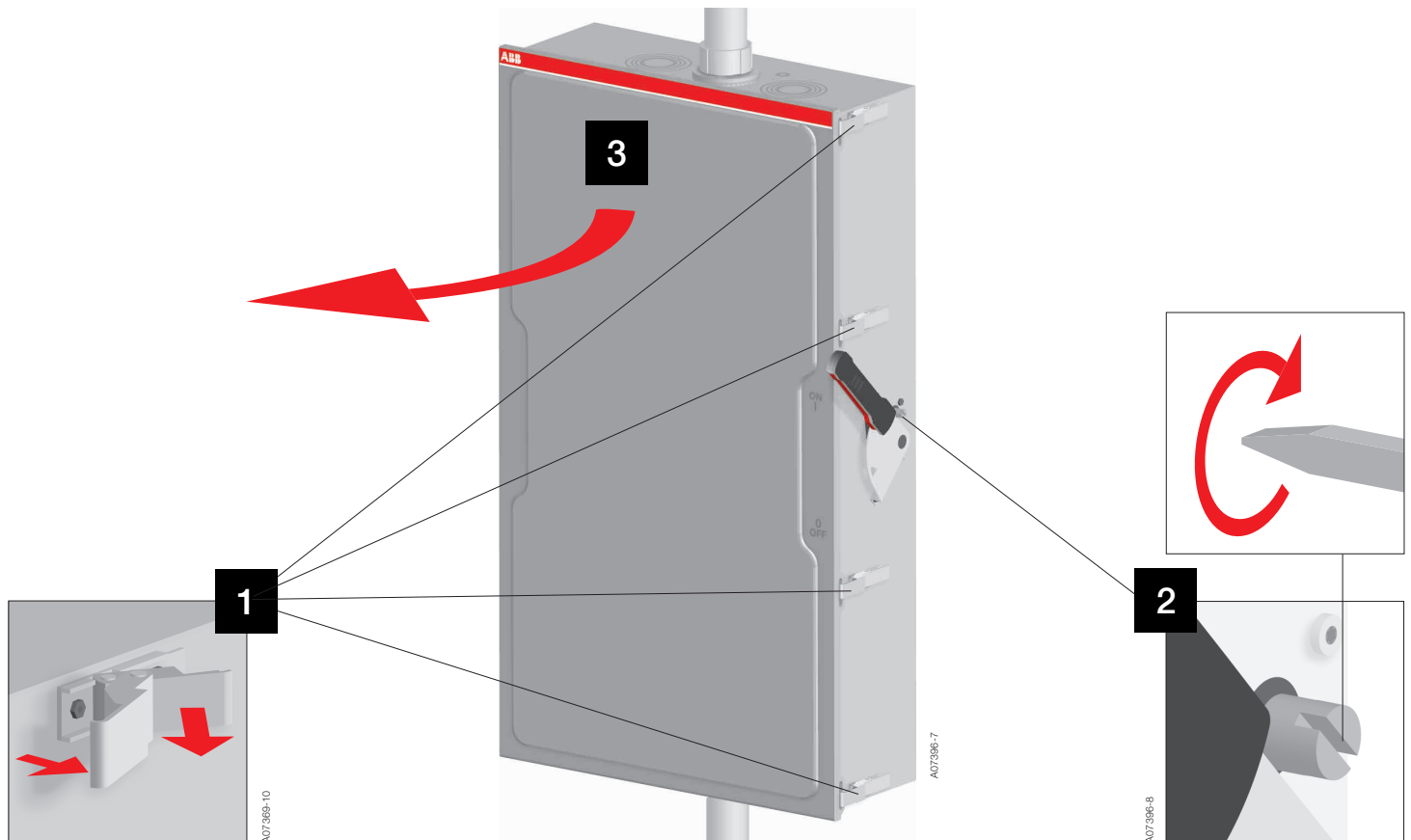
RISQUE DE CHOC ÉLECTRIQUE, D'EXPLOSION OU D'ARC ÉLECTRIQUE

Voir les instructions générales de sécurité à la page 3/2 avant de continuer.

Le non-respect de ces instructions entraînera la mort ou des blessures graves.

Fonctionnement

Mécanisme d'opération



Mécanisme de défaite pour le verrou de porte

La porte de l'interrupteur de sécurité ne peut être ouverte lorsque l'interrupteur est en position MARCHÉ. Cela peut être dérivé afin de permettre l'accès du personnel agréé pour inspection.

Remarque: Seulement le personnel qualifié peut effectuer cette procédure.



DANGER

RISQUE DE CHOC ÉLECTRIQUE, D'EXPLOSION OU D'ARC ÉLECTRIQUE

Détourner le dispositif de verrouillage de porte n'est pas recommandé puisque cela exposera l'opérateur à des pièces sous tension. Seul le personnel qualifié doit effectuer cette procédure

Le non-respect de ces instructions entraînera la mort ou des blessures graves.



ATTENTION

RISQUE DE BLESSURES OU DE DOMMAGES MATÉRIELS

En aucun cas ne pas plier ou tordre le crochet de verrouillage fixé sur la porte. La mauvaise position du crochet de la porte provoque un dysfonctionnement du mécanisme de verrouillage qui peut entraîner des blessures ou des dommages matériels.

Le non-respect de ces instructions peut entraîner des blessures ou des dommages matériels.



DANGER

RISQUE DE CHOC ÉLECTRIQUE, D'EXPLOSION OU D'ARC ÉLECTRIQUE

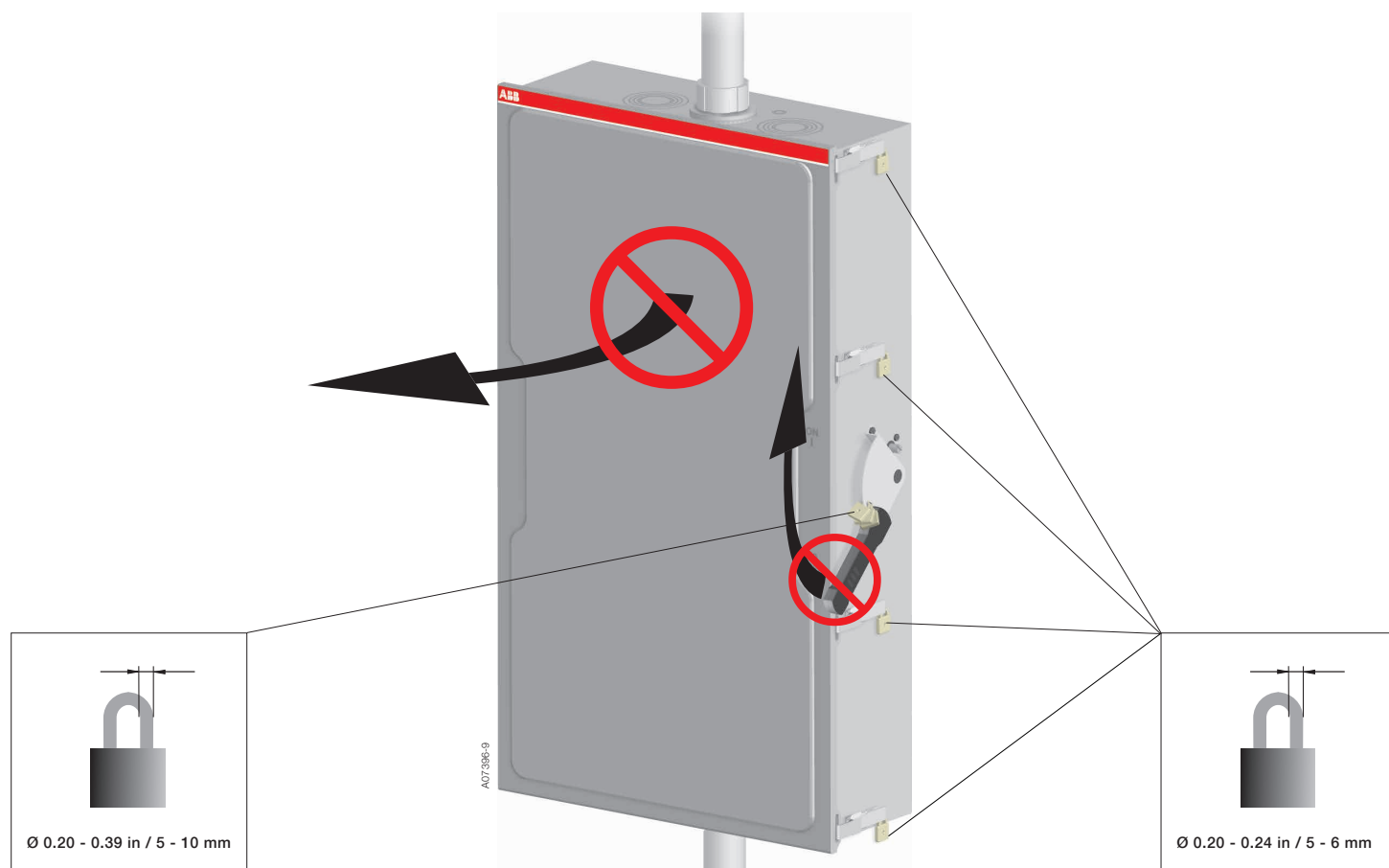
Voir les instructions générales de sécurité à la page 3/2 avant de continuer.

Le non-respect de ces instructions entraînera la mort ou des blessures graves.

Fonctionnement

Cadenassage de poignée et verrous de porte

3



Cadenassage de la poignée

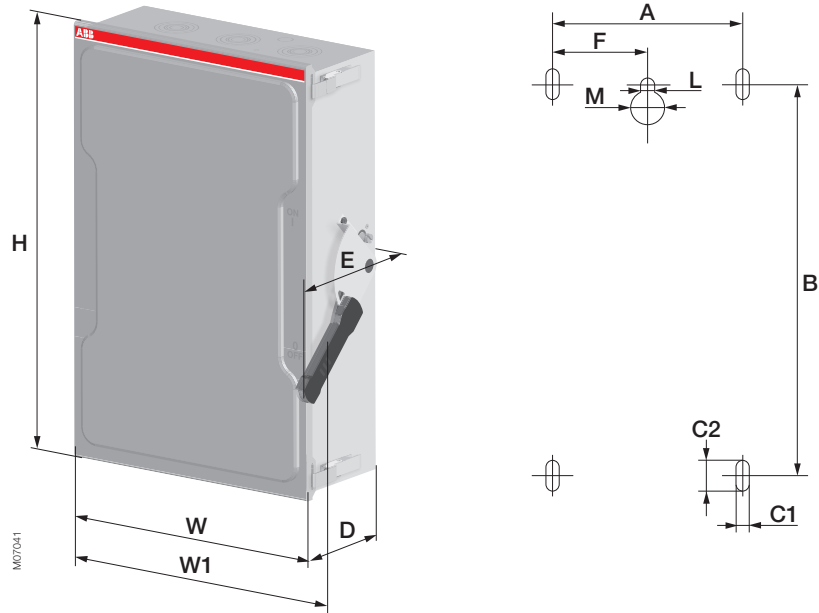
La Poignée de fonctionnement peut être cadénassée en position ARRÊT avec jusqu'à trois cadenas.

Cadenassage de verrou de porte

Les verrous de porte peuvent être cadénassés avec un cadenas à chacun des verrous pour prévenir l'accès à l'intérieur du boîtier.

Dimensions

EOHU364K, EOHU365K, EOHU366K / NEMA 1 / 200 A, 400 A, 600 A



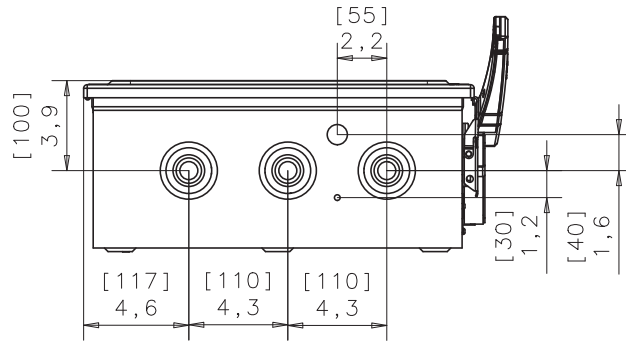
Numéro de catalogue	Taille									
	H		W		W1		D		E	
	[in]	[mm]	[in]	[mm]	[in]	[mm]	[in]	[mm]	[in]	[mm]
Type NEMA 1										
EOHU364K	25.35	644	17.28	439	18.54	471	7.48	190	10.28	261
EOHU365K	40.91	1039	22.99	584	24.53	623	8.78	223	10.83	275
EOHU366K	47.40	1204	22.99	584	24.53	623	8.78	223	10.83	286

Numéro de catalogue	Dimensions de fixation						Trou de fixation							
	A		B		F		C1		C2		L		M	
	[in]	[mm]	[in]	[mm]	[in]	[mm]	[in]	[mm]	[in]	[mm]	[in]	[mm]	[in]	[mm]
Type NEMA 1														
EOHU364K	13.78	350	22.05	560	6.90	175	0.31	8	0.79	20	0.39	10	0.87	22
EOHU365K	19.69	500	37.60	955	9.84	250	0.31	8	0.79	20	1.56	14.3	0.98	25
EOHU366K	19.69	500	44.09	1120	9.84	250	0.31	8	0.79	20	1.56	14.3	0.98	25

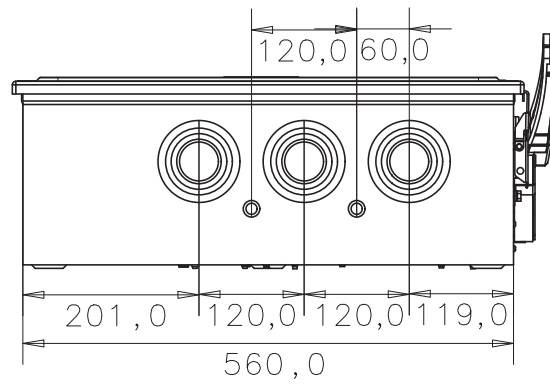
Dimensions

Sorties pour câbles / Éjecteurs concentriques

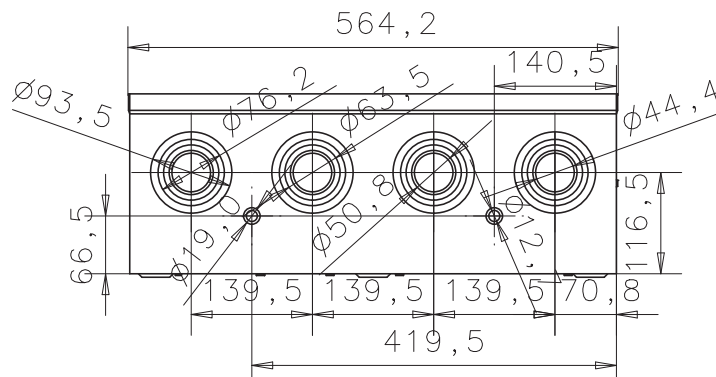
Pour pièce EOHU364K



Pour pièce EOHU365K

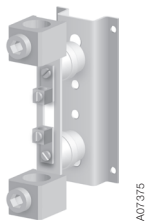


Pour pièce EOHU366K



Accessoires (Optionnel)

Information pour commander

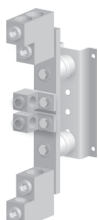


EOHXS4

Assemblage pour neutre

Vis de montage incluses. Unité = 1 pièce.

Approprié pour interrupteur de sécurité	Cosses de terminal incluses	Numéro de catalogue	Poids/unité [kg]
Neutre solide, montable séparément sur la plaque de montage			
EOHU364K	OZXA-400	EOHXS4	
EOHU365K, _6K	OZXA-800	EOHXS56	



EOHXS56

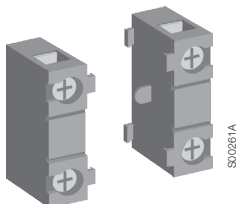
Bloc contact auxiliaire, IP20

Numérotation des contacts selon EN 50013. Unité = 1 pièce.

Un maximum de 8 contacts auxilliaires peuvent être montés sous le couvert du mécanisme.

Approprié pour interrupteur de sécurité	Fonction	Numéro de catalogue	Poids/unité [kg]
EOHU364K, _5K, _6K	1NO	0A1G10	0.03
EOHU364K, _5K, _6K	1NO	0A1G10AU ¹⁾	0.03
EOHU364K, _5K, _6K	1NC	0A3G01	0.03
EOHU364K, _5K, _6K	1NC	0A3G01AU ¹⁾	0.03

¹⁾ Types _AU sont plaqués or pour des circonstances extrêmement difficiles et de faibles tensions.



OA_

Goujons

Hexagonale / cannelé pour une installation rapide et facile avec une clé, un marteau et un tournevis.

- Goujon et Contre-écrou: Zinc ou aluminium sans cuivre.
- Isolation Gorge: temp thermoplastique. Note - 105 ° C
- Taux d'inflammabilité - 94V-0. Bague d'étanchéité en nitrile (Buna "N")

Conforme aux normes d'étanchéité NEMA pour NEMA 1.

- UL par NEC © 501.10 (B). Certifié CSA pour emplacements dangereux de Classe II Groupes E, F, G, Classe III
- Fichier UL n ° E-23018 Dossier CSA No 4484



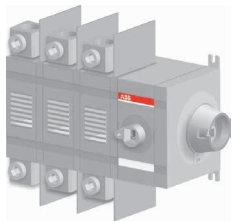
H_-TB

Convient pour interrupteurs de sécurité fusible	Taille conduit [in]	Numéro de catalogue	Poids/unité [kg]
EOHU365K, _6K	1/2	H050-TB	0.093
EOHU365K, _6K	3/4	H075-TB	0.125
EOHU364K	1 1/4	H125-TB	0.244
EOHU364K	1 1/2	H150-TB	0.281
EOHU364K, _5K, _6K	2	H200-TB	0.505
EOHU364K, _5K, _6K	2 1/2	H250-TB	0.847
EOHU365K, _6K	3	H300-TB	1.052
EOHU365K, _6K	3 1/2	H350-TB	1.347

Entretien

Pièces de rechange, Information pour commander

3



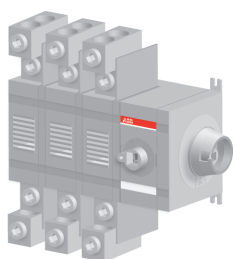
A07382

OT200US30EOHR

Interrupteur-Sectionneurs

Comprend les cosses. Unités / type = 1 pièce.

Approprié pour interrupteur de sécurité	Courant nominal pour usage général [A]	Max. chevaux nominal, triphasé [HP]			Numéro de catalogue	Poids/unité [kg]
		240 V	480 V	600 V		
EOHU364K	200	60	125	150	OT200US30EOHR	2.940
EOHU365K	400	150	250	350	OT400US30EOHR	6.300
EOHU366K	600	200	500	500	OT600US30EOHR	13.598



S07304

OT400/600US30EOHR

Autres pièce de remplacement

Approprié pour interrupteur de sécurité	Numéro de catalogue	Poids/unité [kg]
Ensemble de poignée		
Poignée, tige et kit de boulon inclus. Unité = 1 pièce.		
EOHU364K, _5K, _6K	EOHH2	0.350
Mécanisme de verrouillage de porte		
Kit de boulon inclus. Unité = 1 pièce.		
EOHU364K	EOHLM7	1.150
EOHU365K, _6K	EOHLM6	1.150
Entrants cosses d'assemblage pour côté ligne / charge		
Kit de boulon inclus. Unité = 3 pièces.		
EOHU364K	OZXA-400/3	0.067
EOHU365K, _6K	OZXA-800/3	0.207



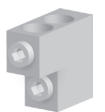
A07370

EOHH2



A07380

EOHLM_



A07372-3

OZXA-800_



A07428


OZXA-400_

Entretien

Registre d'installation et d'entretien

Entretien

Le commutateur est correctement lubrifié à l'usine. Aucune lubrification supplémentaire n'est requise. Cependant, un nettoyage soigneux est nécessaire après les branchements et/ou le montage d'accessoires supplémentaires, des fusibles et de pièces de rechange. Le nettoyage et la vérification des connexions des câbles sont recommandés une fois par année.



DANGER

RISQUE DE CHOC ÉLECTRIQUE, D'EXPLOSION OU D'ARC ÉLECTRIQUE
 Voir les instructions générales de sécurité à la page 3/2 avant de continuer.

Le non-respect de ces instructions entraînera la mort ou des blessures graves.

Registre d'installation et d'entretien

Tout service d'entretien effectué sur cet appareil doit être enregistré dans le journal d'installation et d'entretien.

Date d'installation de l'interrupteur de sécurité: _____

Description du service accompli	Raison de l'entretien	Observations particulières du dispositif	Date de l'entretien	Nom de la personne effectuant le service

Contact us / Contacto / Contactez nous

ABB Inc. / USA

Low Voltage Control Products

16250 W Glendale Drive

New Berlin, WI 53151

Phone: 888-385-1221

Fax: 800-726-1441

USA Technical Support & Customer Service:

888-385-1221, Option 4

7:30AM to 5:30PM, CST, Monday - Friday

E-Mail: lvps.support@us.abb.com

www.abb.us/lowvoltage

ABB Inc. / CANADA

Low Voltage Products

2117 32nd Avenue

Lachine QC H8T 3J1

Canada

Tel.: 514-420-3100

1-800-567-0283

Technical support: lvps.support@ca.abb.com

www.abb.ca/lowvoltage

Electrical equipment should be installed, operated, serviced, and maintained only by qualified personnel. No responsibility is assumed by ABB for any consequences arising out of the use of this material.

Todo el equipo eléctrico debe de ser instalado, operado y mantenido solamente por personal calificado. ABB no asume ninguna responsabilidad por consecuencias causadas por el uso de éste material.

Tout les équipements électriques doivent être installés, exploités et entretenus par du personnel qualifié seulement. Aucune responsabilité n'est assumée par ABB pour les conséquences découlant de l'utilisation de ce matériel.

1SCC340037M1402