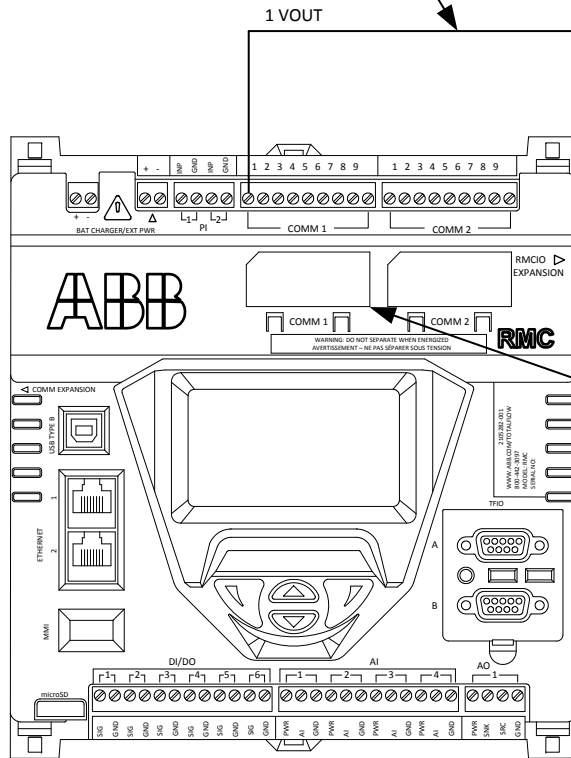
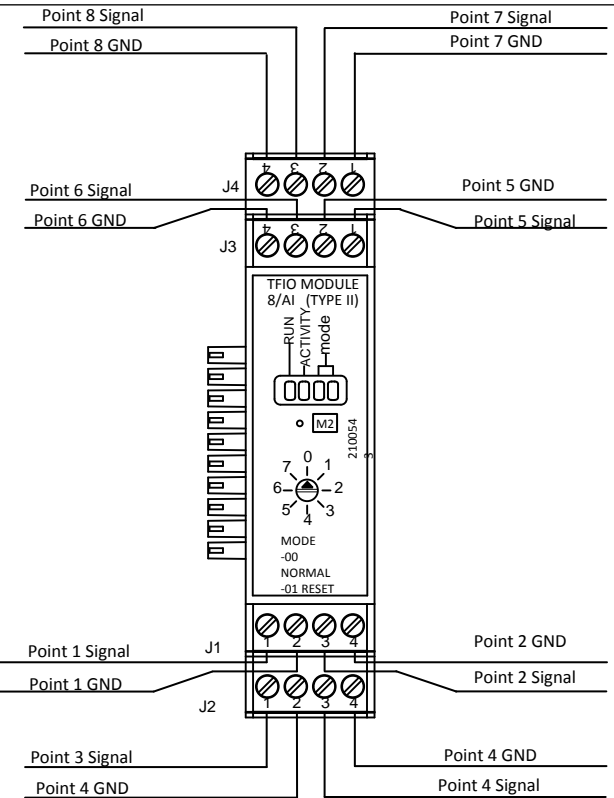
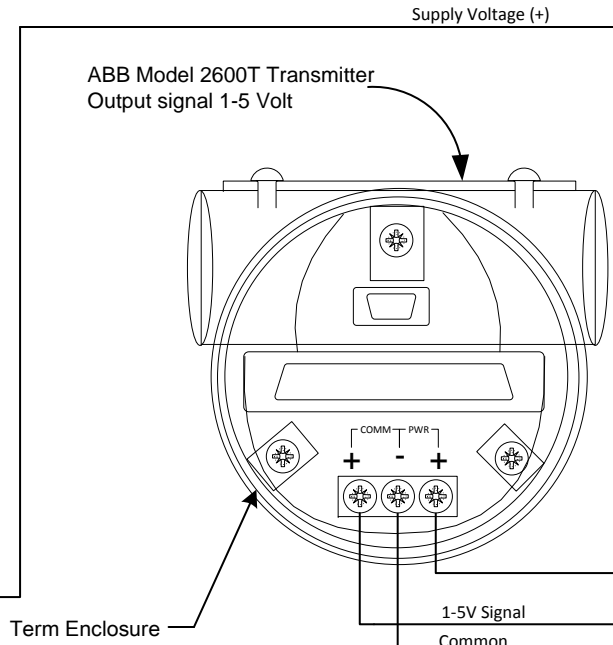


NOTES:

1. **WARNING:** This drawing does not illustrate the installation methods required for hazardous locations. Prior to any installation in a Classified Hazardous Location, verify installation methods by the Control Drawing referenced on the product's name tag and national and local codes.
2. The Module Requires The Software To be Configured for Voltage or Milliamp Signal. For this Arrangement Select 0-10Volt.
3. The RMC requires TFIO modules with the M2 designation to operate at 12 and 24 volts. All other functions of the module are the same.

The RMC can operate on 12 or 24 volts DC. If using VOUT to power an external device verify that the RMC supply voltage is compatible with the external device.



RMC (2105350) Board

For a COMM port to be activated the COMM module (Part # 2105236-001) must be in the slot for the appropriate COMM port. The module is software selectable for communication protocol type.

| RMC COMM PORT PINOUTS | | | |
|-----------------------|-------------------------------|-------------------------------|-------------------------------|
| PIN | RS-232 | RS-422 | RS-485 |
| 1 | Voltage Out (VOUT) | Voltage Out (VOUT) | Voltage Out (VOUT) |
| 2 | Ground (GND) | Ground (GND) | Ground (GND) |
| 3 | Switched voltage (Sw VOUT) | Switched voltage (Sw VOUT) | Switched voltage (Sw VOUT) |
| 4 | Operate (OPER) | Operate (OPER) | Operate (OPER) |
| 5 | Remote request to send (RRTS) | Remote request to send (RRTS) | Remote request to send (RRTS) |
| 6 | Request to send (RTS) | Transmit bus+ (TBUS+) | Transmit bus+ (TBUS+) |
| 7 | Transmit data (TX) | Transmit bus- (TBUS-) | Transmit bus- (TBUS-) |
| 8 | Receive Data (RX) | Receive bus+ (RBUS+) | Not Used |
| 9 | Clear to send (CTS) | Receive bus- (RBUS-) | Not Used |



TOTALFLOW Products

ACTION L36374

DOC TYPE UD

TITLE RMC (2105350 BD) with TFIO AI Module to 266HSH 1-5V Pressure Transmitter

DWG NO. 2105604

REV AA

SHEET 1 OF 1