
MANUAL

Pedestal for Terra AC wallbox - Installation manual - Preliminary

TAC pedestal single (ABB6AGC085345)

TAC pedestal back-to-back (ABB6AGC085684)

PREPARED 2020-10-01 Terra AC	STATUS Draft	SECURITY LEVEL Public		
APPROVED [YYYY-MM-DD] [Approved by]	DOCUMENT KIND Manual			
OWNING ORGANIZATION ELSP EVI	DOCUMENT ID. [1ABC123456]	REV. A	LANG. en	PAGE 1/10

Safety instructions



WARNING!

Not observing the safety instructions can result in risk of death, injuries and damage to the device! The producer assumes no liability for claims resulting from this!

Electrical hazard!

The installation, commissioning and maintenance of the charging station may only be performed by correctly trained, qualified and authorized electricians who are fully responsible for the compliance with existing standards and installation regulations.

Observe the instructions given for selecting the location and the constructional requirements!

If the specifications for the location are not observed, this can result in death, serious physical injury or equipment damage if the corresponding precautionary measures are not met!

STATUS	SECURITY LEVEL	DOCUMENT ID.	REV.	LANG.	PAGE
Draft	Public	[1ABC123456]	A	en	2/10

Use of this manual

This installation manual is intended for qualified personnel only¹.

This guide is a supplement to the "Terra AC wallbox Installation Manual." The information and instructions in the manual about selecting the location, installation and connection of the charging station must be adhered to.

Intended use

A pedestal for free-standing installation in inside or outside areas is available as an alternative to mounting the charging station on a wall.

Depending on the design and number of charging stations the relevant number of empty pipes and connection cables should be taken into consideration in the concrete foundation.

If the charging station is installed with a plug-in power supply line (e.g., for demonstration purposes), you should ensure that there is sufficient tension relief and edge protection for the power supply line.

The respective national regulations must be observed with regard to the installation of the pedestals.

Weight (without charging station): 10,5 kg (single / back-to-back)

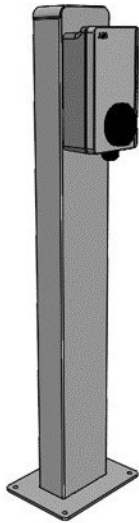
Packing includes

TAC Pedestal Single - 6AGC085345		Back-to-Back Pedestal - 6AGC085684	
2x	SCREW; FLAT HEADED DIN 923 M5X4(x12) Stainless steel	4x	SCREW; FLAT HEADED DIN 923 M5X4(x12) Stainless steel
2x	SCREW; HEX. SOCKET HEAD M6X90 A2-70, DIN 6912	4x	SCREW; HEX. SOCKET HEAD M6X90 A2-70, DIN 6912
1x	EDGING L=65mm	2x	EDGING L=65mm
1x	NUT. M6 UNI 5588 A2	2x	NUT. M6 UNI 5588 A2
1x	CONTACT WASHER M6	2x	CONTACT WASHER M6

¹ Persons who, due to their special training, expertise and experience as well as knowledge of current standards, are able to assess the work performed and the possible hazards.

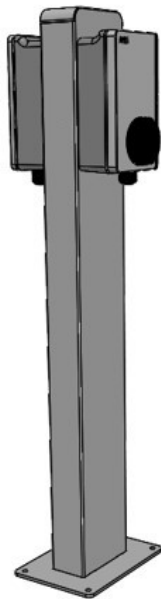
STATUS	SECURITY LEVEL	DOCUMENT ID.	REV.	LANG.	PAGE
Draft	Public	[1ABC123456]	A	en	3/10

Overview



Single pedestal 6AGC085345

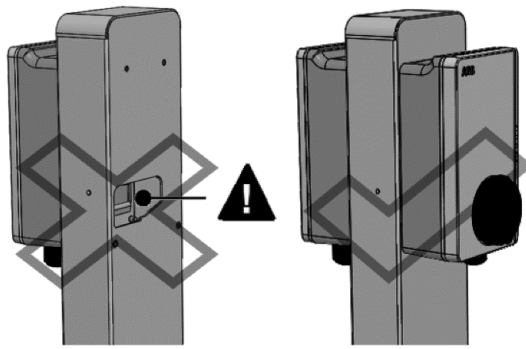
The single pedestal is designed for the installation of one charging station.



Back-to-back pedestal 6AGC085684

The back-to-back pedestal is designed for the installation of two charging stations.

STATUS	SECURITY LEVEL	DOCUMENT ID.	REV.	LANG.	PAGE
Draft	Public	[1ABC123456]	A	en	4/10

**WARNING!****Electrical hazard!**

The back-to-back pedestal must always be fitted with two charging stations! There can be no open cable openings in the pedestal.

Location requirements

General:

- All of the location requirements for the charging station in the "Installation manual" must be adhered to!
- When mounting the pedestals in parking spaces or parking garages, appropriate anti-collision protection must be provided by the customer.

Concrete foundation:

- The calculation, design and manufacture of the concrete foundation lies in the scope of responsibility of the producer of the site.
- A horizontal, level and sound foundation is required for installation.
To ensure safe and permanent anchoring, we recommend creating a concrete foundation: 70cm (L) x 60cm (W), depth = 50cm.
Concrete: C30/37
- The base must permit the running off of any water that has entered the base.
- All cables must be laid precisely in the centre of the concrete foundation from the base and must have an excess length of approx. 1.5 m for the remaining installation activities.
- During the production of the concrete foundation, the cables must be protected against damage using appropriate measures (e.g., a protective tube). The protective tube must have an excess length of approx. 25 cm above the concrete foundation.
- Mounting the pedestal on asphalt is not allowed!

STATUS	SECURITY LEVEL	DOCUMENT ID.	REV.	LANG.	PAGE
Draft	Public	[1ABC123456]	A	en	5/10

Anchoring to the base

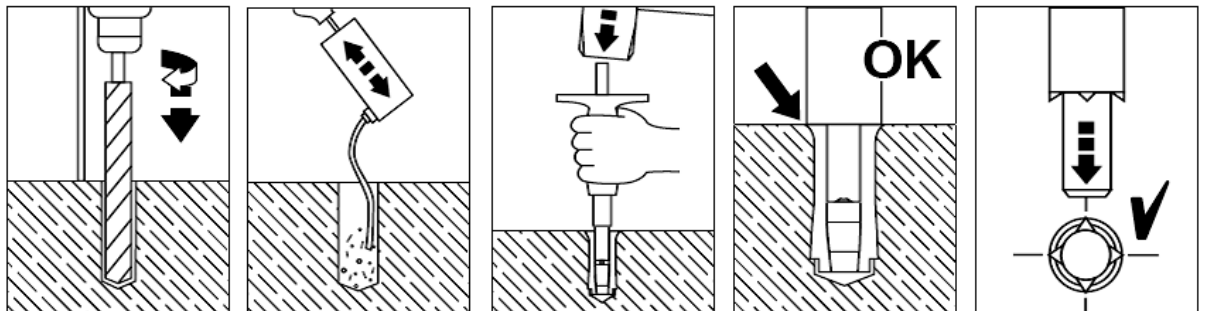
The 4x anchors (M10x40) must be used for anchoring.

	Technical data		
	Anchorage ground	Standard concrete with a strength class of C30/C37 or greater	M10
	Recommended load	Tension N (uncracked concrete)	4
	Per anchor	Transversal shear V (uncracked concrete)	4,9 kN
	Required clearance		14,0 cm
	Max.Torque Tinst		≥15 Nm
	Drill-hole diameter do		12 mm
	Drill-hole depth h1		43 mm

Making drill holes

- Mark the 4 holes on the concrete foundation using the baseplate of the pedestal.
Make sure that the connection cable is located precisely underneath the opening in the baseplate.
- Drill the 4 mounting holes:
Diameter: 12 mm
Drill-hole minimum depth: 43 mm
- Hammer the anchors (not included) so that they are flush with the floor.

Please also observe the following instructions:

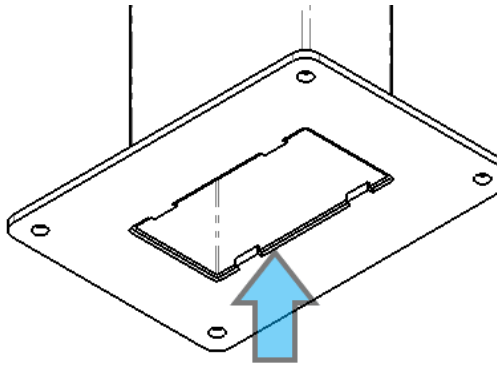


Instructions on inserting the anchors

STATUS	SECURITY LEVEL	DOCUMENT ID.	REV.	LANG.	PAGE
Draft	Public	[1ABC123456]	A	en	6/10

Note

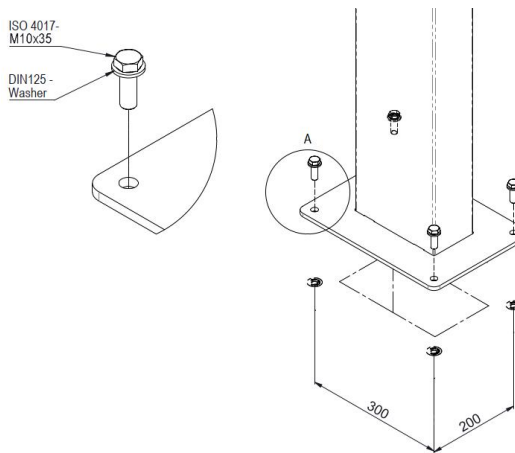
The images are valid for all versions.



Pedestal from below

Thread in cable

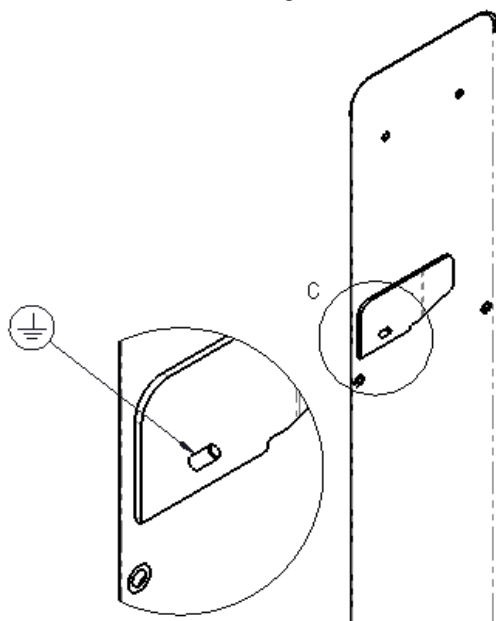
- Thread the connection cables from the bottom through the pedestal upwards through the cable opening.



Anchoring

Anchoring

- Position the pedestal directly over the cable outlet.
- Anchor the pedestal to the foundation using 4 bolts M10 and washer M10 (not included).

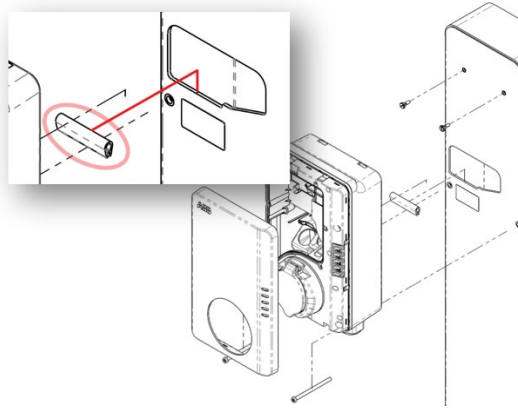


Grounding point

Grounding

- If necessary, connect the earthing to the pedestal's grounding point with included nut M6 UNI 5588 A2 and contact washer M6.

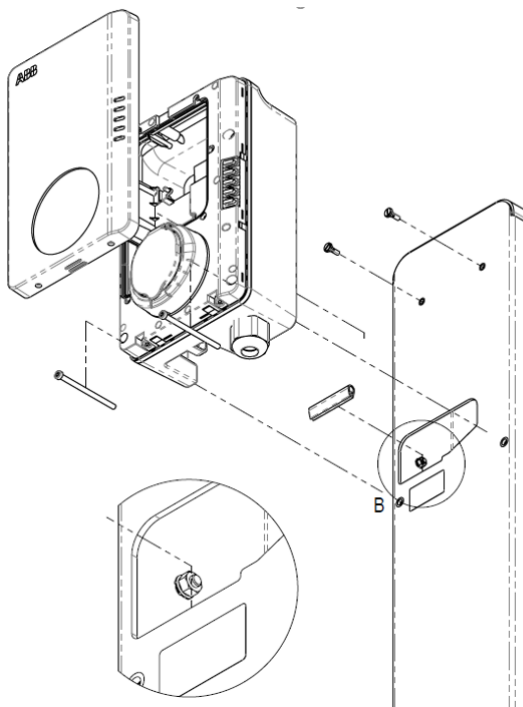
STATUS	SECURITY LEVEL	DOCUMENT ID.	REV.	LANG.	PAGE
Draft	Public	[1ABC123456]	A	en	7/10



Add edge protection

Add edge protection

- Add the edge protection on the cable opening of the pedestal immediately before installing the charging station (see figure).
- Use included edging 65mm.



Single Pedestal example

Mounting the charging stations

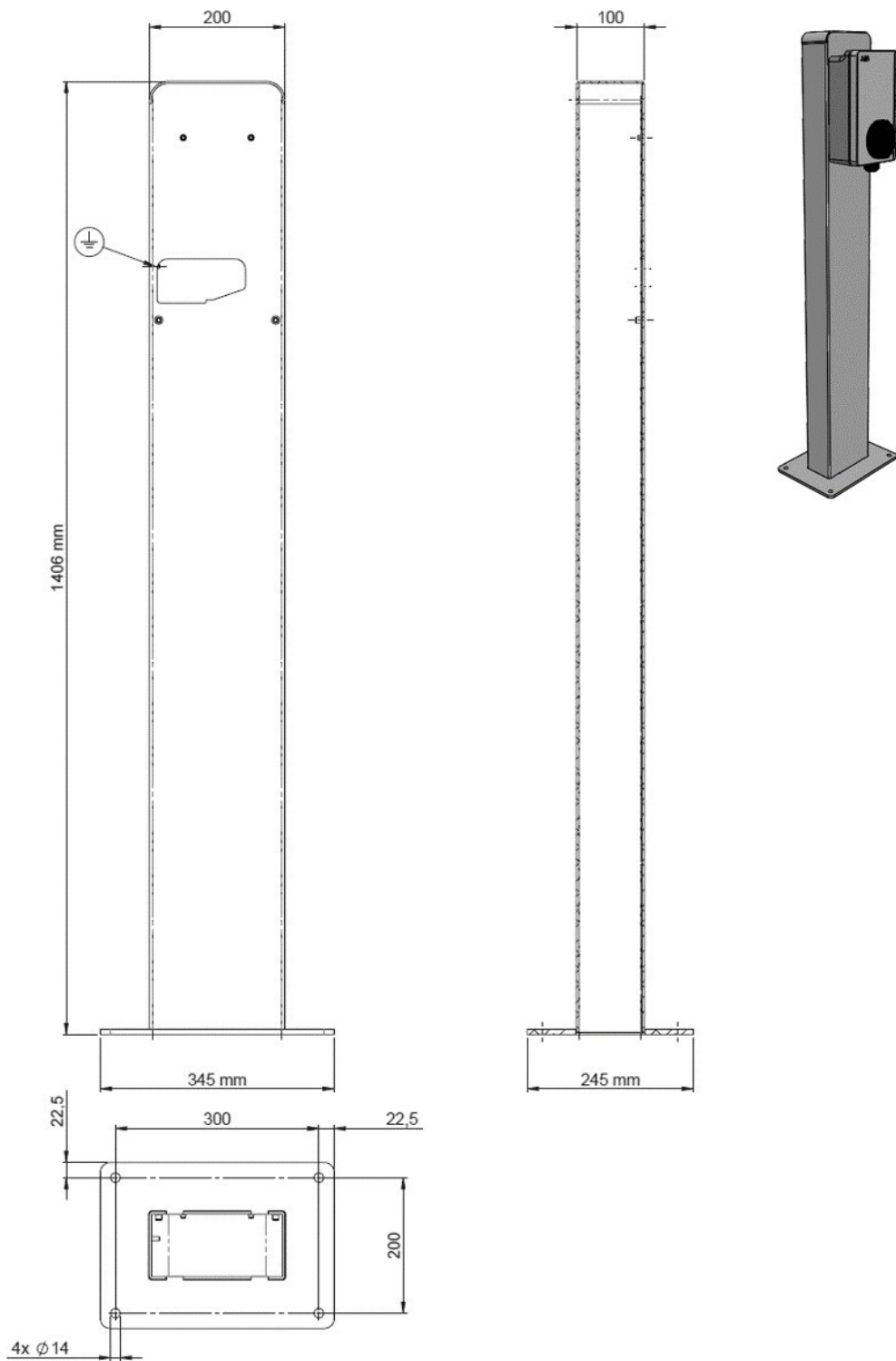
- Mount the charging stations on the pedestal using the enclosed screws.
- Use for top; screw type flat headed DIN 923 M5X4(x12) Stainless steel
- Use for bottom; screw HEX socket head M6X90 A2-70, DIN 6912

Connecting and commissioning

- Perform the electrical connection and commissioning in accordance with the instructions in the "Installation manual."

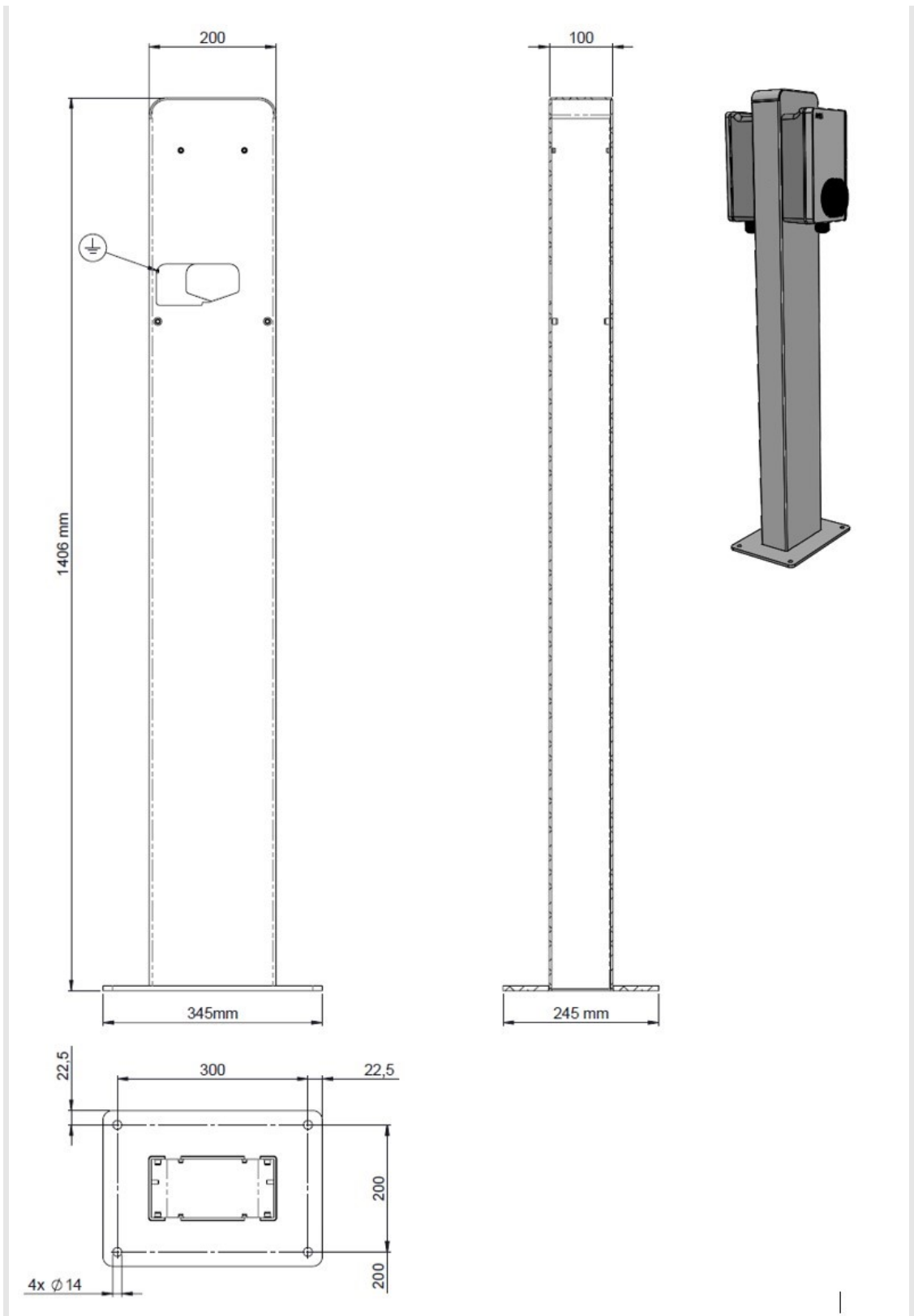
STATUS	SECURITY LEVEL	DOCUMENT ID.	REV.	LANG.	PAGE
Draft	Public	[1ABC123456]	A	en	8/10

Single pedestal ABB6AGC085345



STATUS	SECURITY LEVEL	DOCUMENT ID.	REV.	LANG.	PAGE
Draft	Public	[1ABC123456]	A	en	9/10

Back-to-back pedestal ABB6AGC085684



STATUS	SECURITY LEVEL	DOCUMENT ID.	REV.	LANG.	PAGE
Draft	Public	[1ABC123456]	A	en	10/10