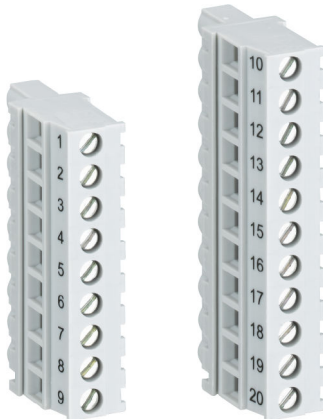


DATA SHEET

# TA563

## Accessories

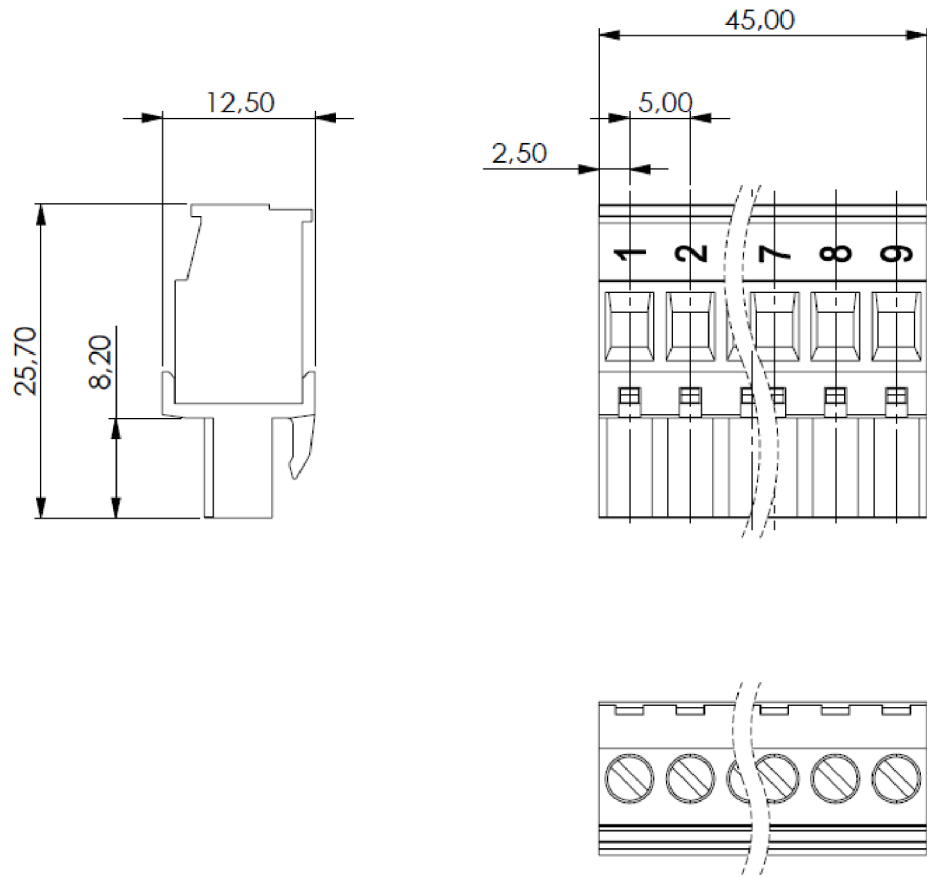


### 1 Ordering data

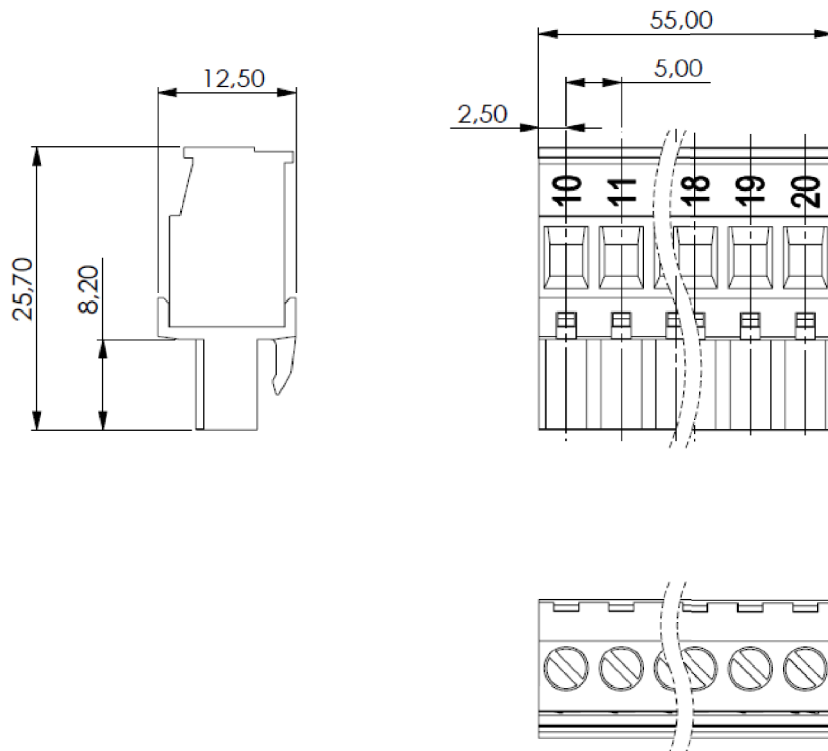
Part no.	Description	Product life cycle phase *)
1TNE 968 901 R3101	Terminal Block TA563-9, 9-pin, screw front, cable side, 6 pieces per unit	Active
1TNE 968 901 R3102	Terminal Block TA563-11, 11-pin, screw front, cable side, 6 pieces per unit	Active

## 2 Dimensions

TA563-9



TA563-11



### 3 Technical data

Table 1: Screw-type terminals (TA563/TA564)

Parameter		Value
Type		Front terminal or side terminal (depending on model)
Conductor cross section		
	Solid	0.5 mm <sup>2</sup> ... 2.5 mm <sup>2</sup>
	Flexible	0.5 mm <sup>2</sup> ... 2.5 mm <sup>2</sup>
Stripped conductor end		
	TA563	8 mm
	TA564	10 mm
Width of the screwdriver		3.5 mm
Fastening torque		0.4 Nm ... 0.5 Nm
Degree of protection		IP 20 (if all terminal screws are tightened)
Conductor cross section flexible, with ferrule with/ without plastic sleeve		Min. 0.25 mm <sup>2</sup> Max. 1.5 mm <sup>2</sup>