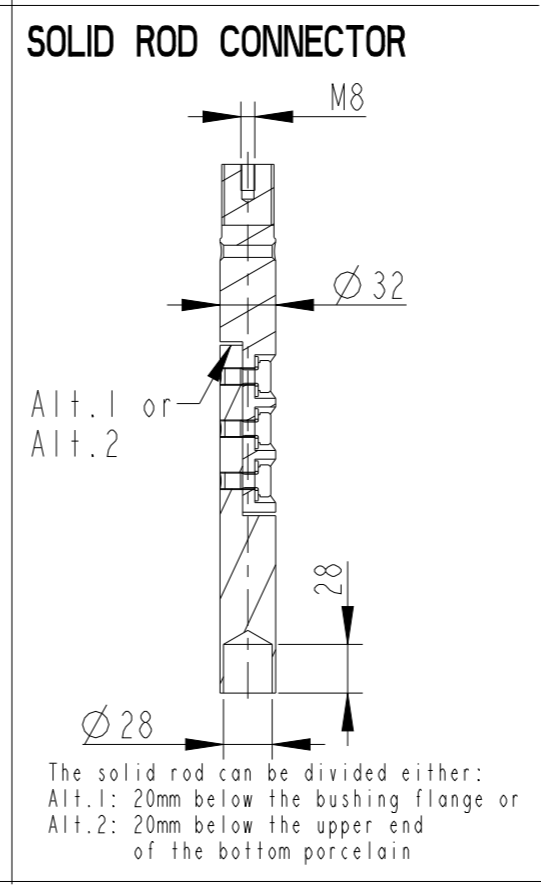
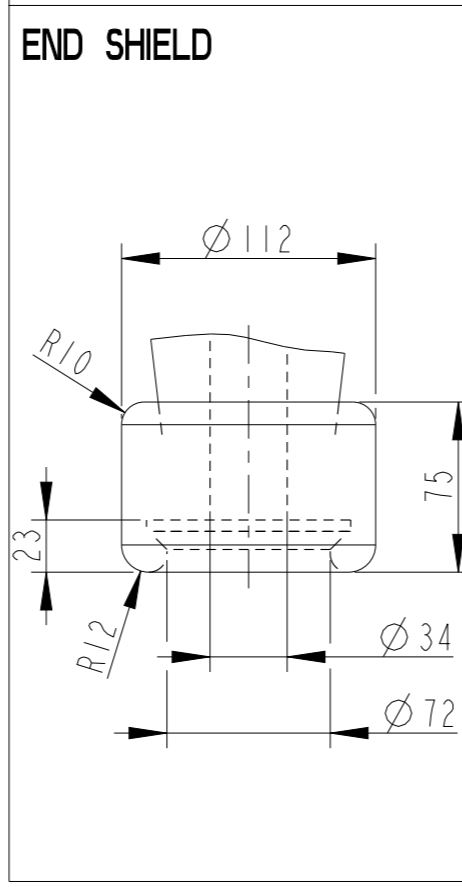
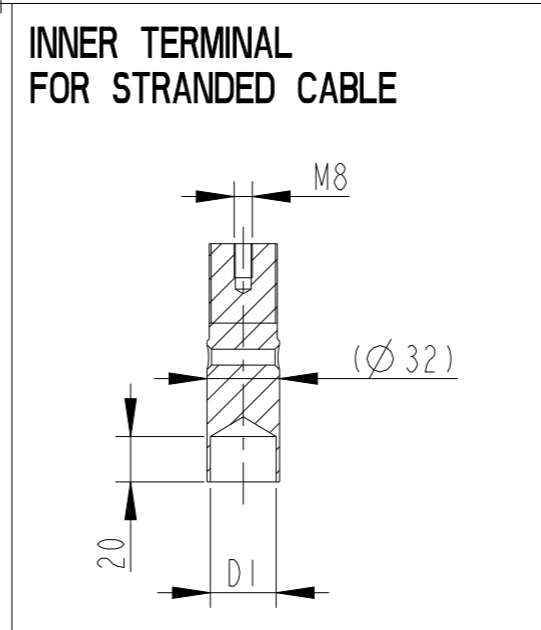
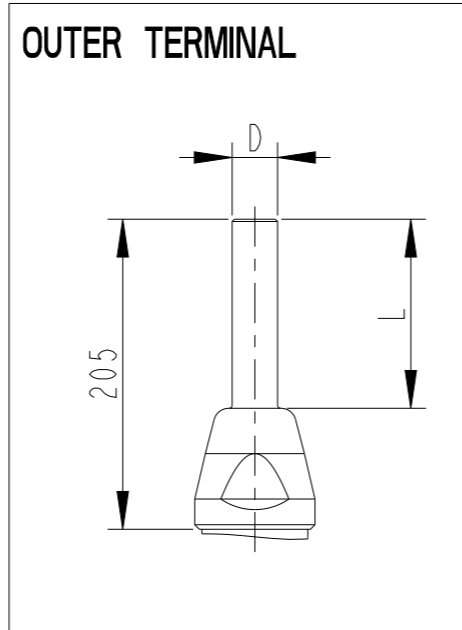
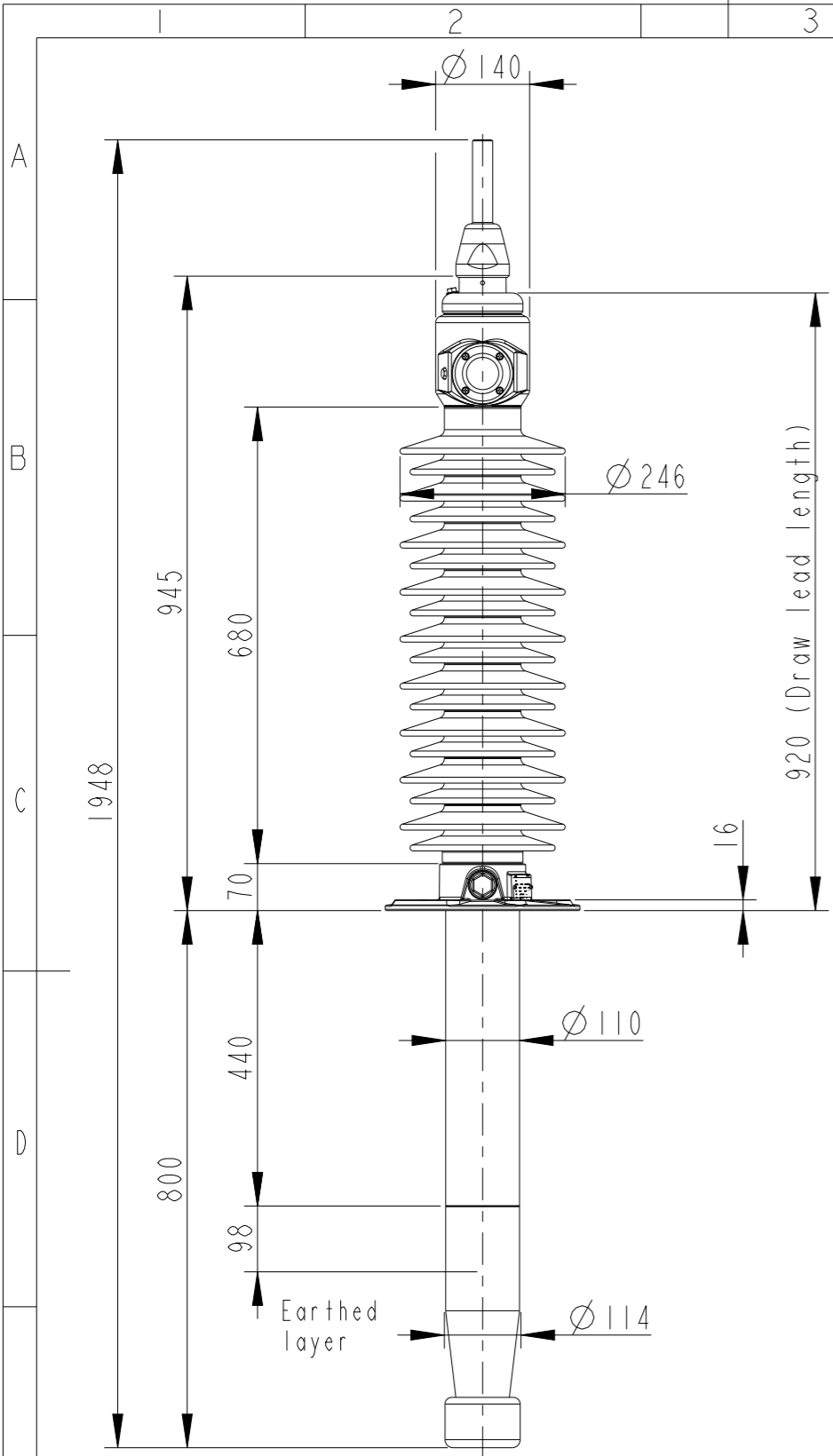


This document is issued by means of a computerized system. The digitally stored original is electronically approved. The approved document has a date entered in the "Approved"-field. A manual signature is not required.

We reserve all rights in this document and in the information contained therein. Reproduction, use or disclosure to third parties without express authority is strictly forbidden.



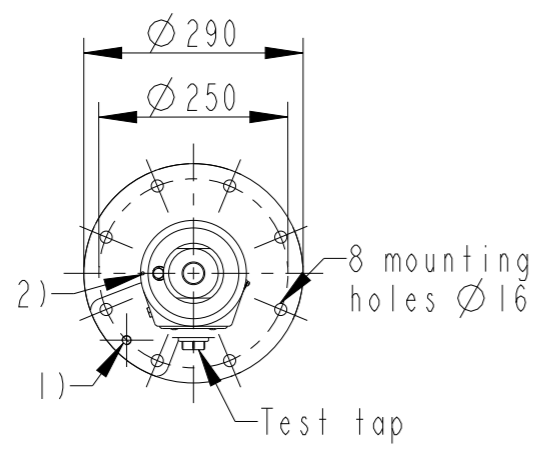
Revision	Revision text
D	Phase to Ground Voltage changed from 72.5 to 58kV

### Bushing Data:

Rated Voltage	100	kV
Phase to Ground Voltage	$\Delta$ 58	kV
Dry Lightning Impulse 1,2/50 $\mu$ s	380	kV
Wet power frequency AC	150	kV
Routine test Imin dry 50Hz	165	kV
Rated Current	1250	A
Creepage Distance	2500 $\pm$ 70	mm
Creepage Distance Protected	980	mm
Mass	57	kg

### Ordering Data:

BUSHING	COLOUR	AIR INSULATOR
LF123103-K	BROWN	
LF123103-L	LIGHT GREY	
LF123103-HK	BROWN	Horizontal 45°-90°
LF123103-HL	LIGHT GREY	Horizontal 45°-90°
<b>OUTER TERMINAL</b>	Material	D L
LF 170 002-B	Cu alloy, $\varnothing$ 30, 125	
LF 170 001-B	Al, $\varnothing$ 30, 125	
OTHER TYPES ON REQUEST		
<b>INNER TERMINAL FOR STRANDED CABLE</b>		
<b>For brazing</b>	Conductor area	D1
LF 170 011-T	up to 285mm <sup>2</sup>	$\varnothing$ 29
LF 170 011-V	Undrilled with pilot hole $\varnothing$ 5	
<b>SOLID ROD CONNECTOR</b>	Material	
LF 170 052 -BP for Alt.1	Cu	
LF 170 052 -BM for Alt.2	Cu	



- M12 (For Earthing)
- $\varnothing$  4 Oil connection hole (only valid for horizontal mounting)

ABB		Ludvika, Sweden	
No.	kV Ir	A 50/60 Hz	
Um	kV SL	kV AC	kV
BL	kg L	mm $\surd$	°
M	pF Tan $\delta$	x	
C1	pF Tan $\delta$	x	
C2			

Created by Jacob Stefansson	Reviewed by Joakim Persson	Approved by Natalia Gutman
Approved 2019-12-12	Document Kind Outline Drawing	Based on doc.id Work order id Project id
Company ABB Technology Ltd	Title, Supplementary title GOB 380-1250-0.5 WITH OIL LEVEL GAUGE STD END SHIELD	
Responsible Department SEABB-9AAE300824	Document id 2751369-197	Status Released
<b>ABB</b>	Revision D	Iteration 1/1
	Sheet 1/1	