

Installation Instructions

Extruded Grounds

To install extruded grounds in a ReliaGear® Lighting Panelboard enclosure:

1. Locate mounting holes in the corners of the trough. Install ground as shown in Fig. 1, with (2) #10 screws provided in kit.
2. To install isolated grounds, mount ground in trough as shown in Fig. 2, with #10 screws provided in kit, and connect grounds using the 250 MCM dual hole lug provided.

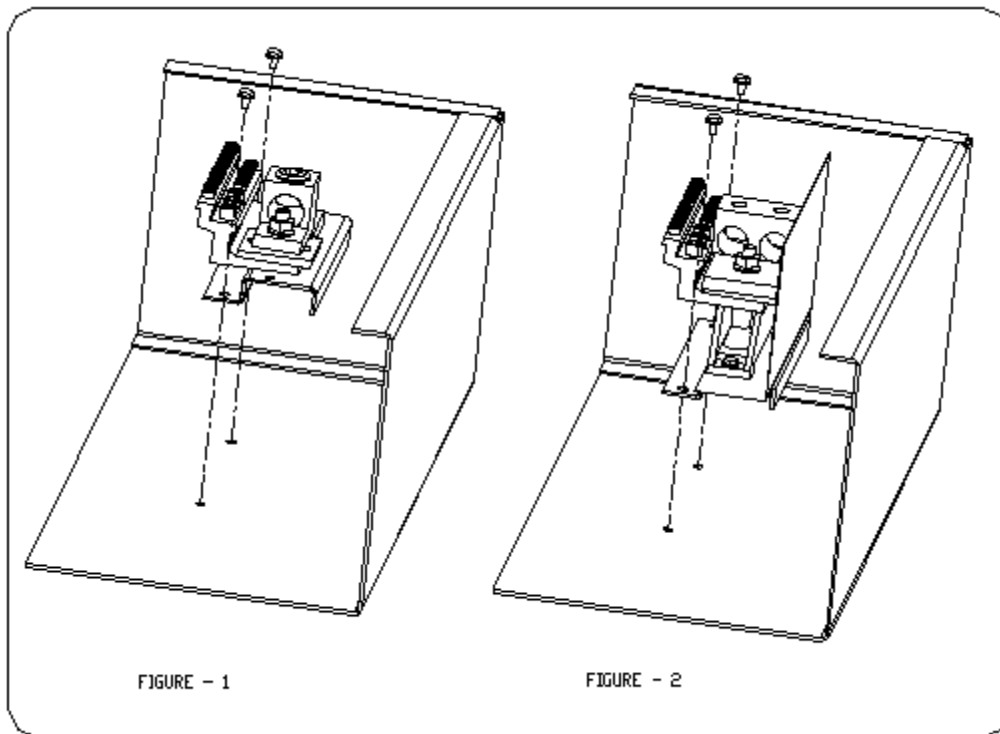


FIGURE - 1

FIGURE - 2

These instructions do not cover all details or variations in equipment, nor do they provide for every possible contingency that may be met in connection with installation, operation, or maintenance. Should further information be desired, or should problems arise that are not covered sufficiently for the purchaser's purposes, the matter should be referred to the