

This document is issued by means of a computerized system. The digitally stored original is electronically approved. The approved document has a date entered in the "Approved"-field. A manual signature is not required.

We reserve all rights in this document and in the information contained therein. Reproduction, use or disclosure to third parties without express authority is strictly forbidden. © 2022 Hitachi Energy.

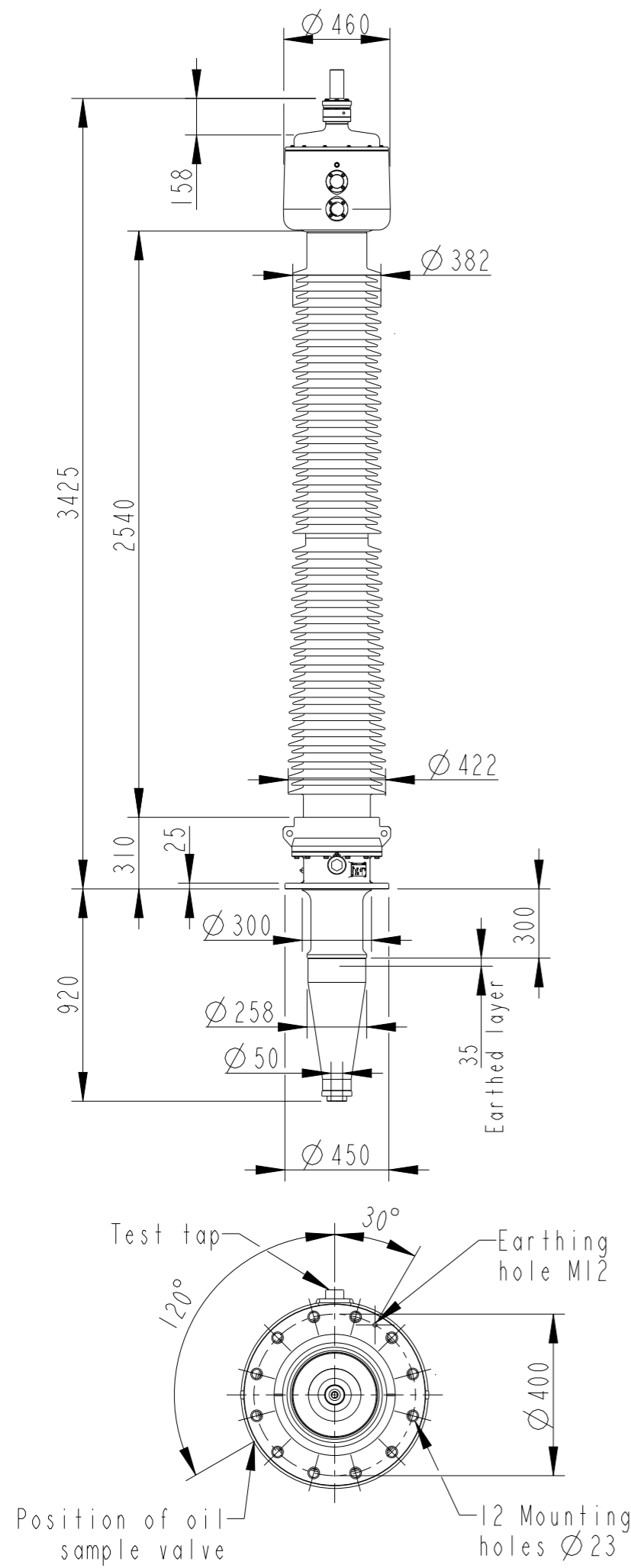
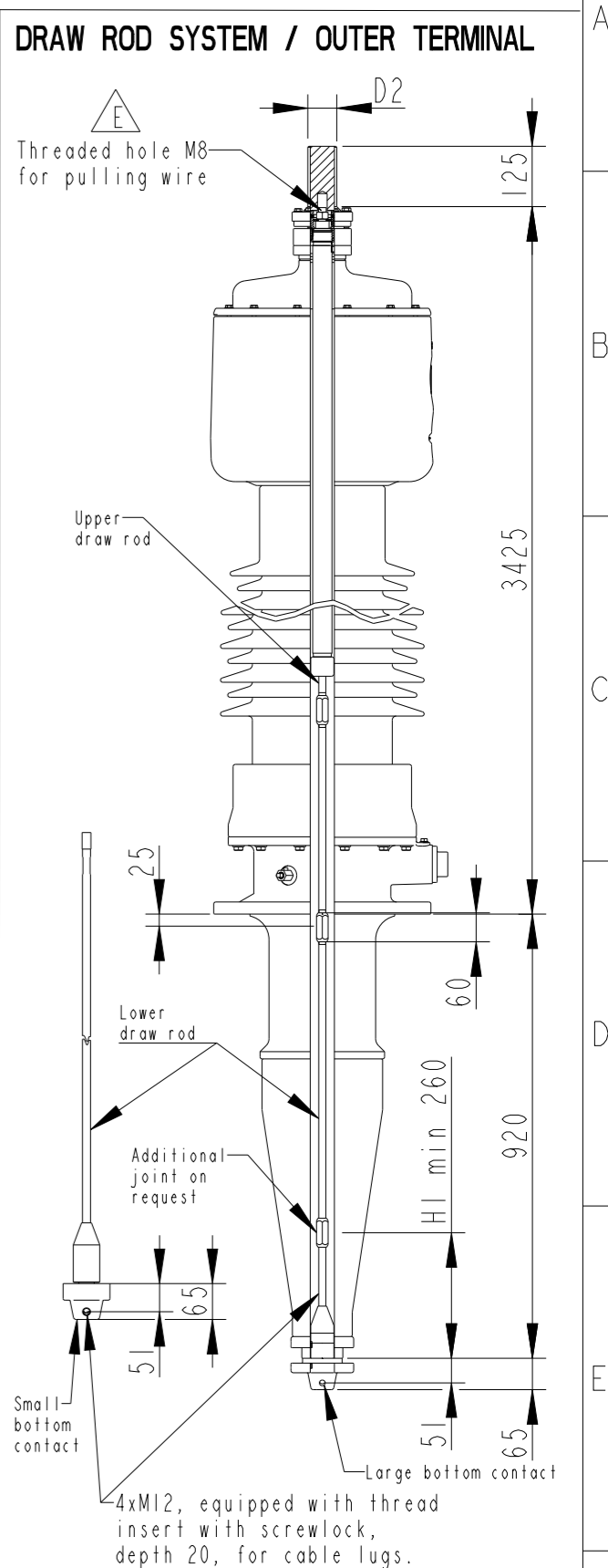
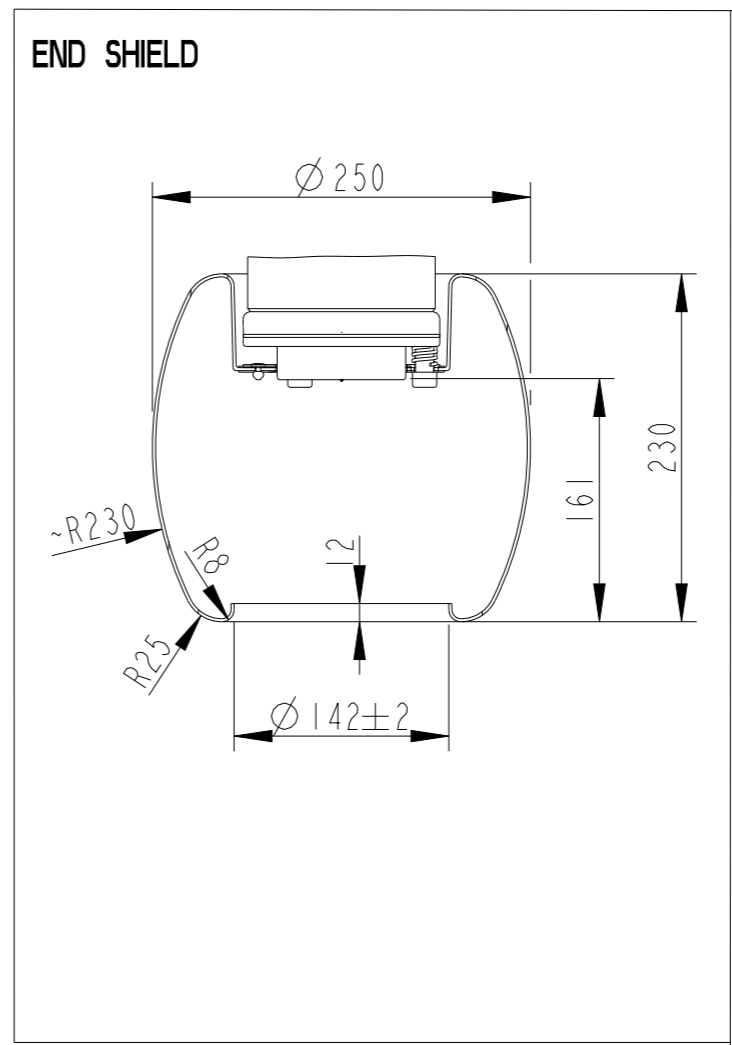
| Revision | Revision text                   |
|----------|---------------------------------|
| E        | Inner terminal details removed. |

### Bushing Data:

|                                |         |
|--------------------------------|---------|
| Rated Voltage                  | 362 kV  |
| Phase to-earth Voltage         | 209 kV  |
| Dry Lightning Impulse 1,2/50µs | 1175 kV |
| Wet Switching Impulse          | 850 kV  |
| Wet Power frequency AC         | 560 kV  |
| Routine test Imin dry 50Hz     | 560 kV  |
| Rated Current                  | 1600 A  |
| Creepage Distance Nominal      | 9150 mm |
| Creepage Distance Minimum      | 8750 mm |
| Mass                           | 615 kg  |

### Ordering Data:

|  |                                  |
|--|----------------------------------|
| <b>BUSHING</b><br>IZSC903362-AAA                 | COLOUR AIR INSULATOR<br>Brown    |
| <b>DRAW ROD SYSTEM</b><br>LF170 097<br>LF170 098 | UPPER DRAW ROD<br>LOWER DRAW ROD |
| <b>OUTER TERMINAL</b>                            | Material D2 (mm)                 |
| LF170 090-A                                      | Al Ø 30                          |
| LF170 090-B                                      | Al Ø 60                          |
| LF170 090-C                                      | Cu Ø 30                          |
| LF170 090-E                                      | Cu Ø 60                          |
| LF170 090-G                                      | Cu/Ag 2"-12 UN                   |
| <b>END-SHIELD</b>                                |                                  |
| LF170 092-A                                      | Epoxy insulated                  |
| LF170 092-C                                      | Insulated with 3mm pressboard    |



| No. | Um/Uy | kV Ir | A  | 50/60 Hz |
|-----|-------|-------|----|----------|
| BIL | kV    | SIL   | kV | AC       |
| M   | kg    | L     | mm | ∅        |
| C1  | pF    | Tan ∅ |    | x        |
| C2  | pF    | Tan ∅ |    | x        |

|  |   |                               |                           |
|--|---|-------------------------------|---------------------------|
| CREATED BY<br>Dhanasekar P                             | CREATED ON<br>2022-09-16                                | APPROVED BY<br>Natalia Gutman | APPROVED ON<br>2022-12-06 |
| DOCUMENT KIND<br>Dimension Drawing                     | TITLE / SUPPLEMENTARY TITLE<br>GOE(2) 1175-850-1600-0,3 |                               |                           |
| RESPONSIBLE DEPARTMENT<br>SEABB-9AAE300824             | GOE(2)-1175-850-1600-0.3                                |                               |                           |
| RESPONSIBLE COMPANY<br><b>Hitachi Energy Sweden AB</b> | DOCUMENT ID<br>2751369-330                              | STATUS<br>Approved            | REVISION SHEET<br>E 1/1   |