

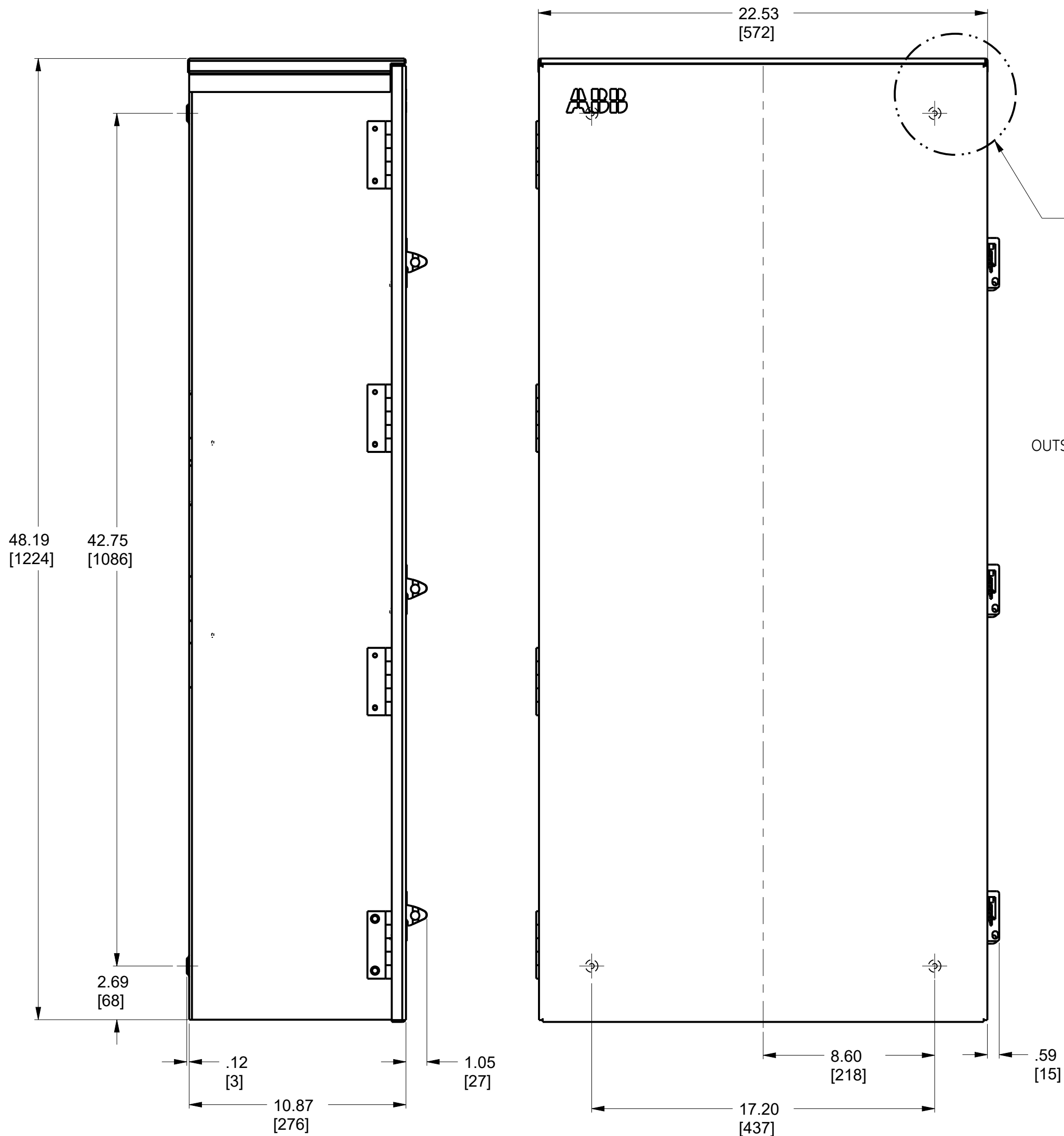
14

13

12

11

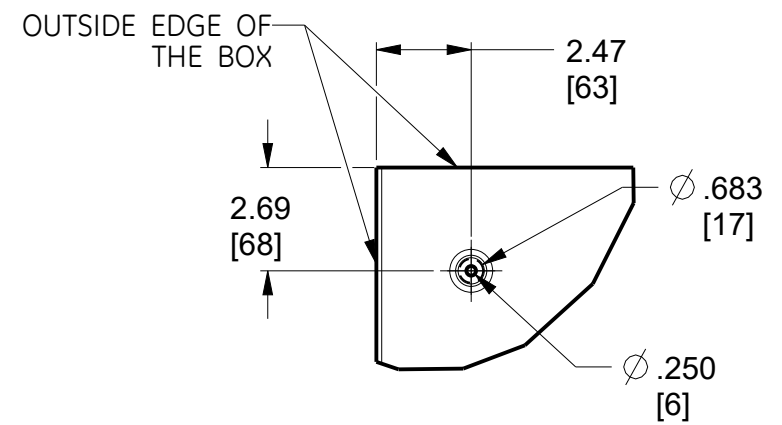
3D Model is the Master Document of Record
Article or Material Must Conform to REACH Procedure S900000 Sec.14
Article or Material Must Conform to RoHS Procedure S900000 Sec.13
Part Must Conform to S900000 Sec.4 Toxicity Procedure
Geometric Dimensioning & Tolerancing as per ASME Y14.5-2009



CIRCUIT BREAKER LUGS: CATALOG DATA			
CIRCUIT BREAKER CAT NO. PREFIX	AMPERE RATING	BREAKER LUG CATALOG NUMBER	WIRE SIZE (AWG/KCMIL)
XT7	1200A	KXT7CUAL4X500K-3PC KXT7CUAL4X500K-4PC	(4) #4/0 - 500 CU-AL

SEE DETAILS A

FIELD INSTALLABLE NEUTRAL ASSEMBLY AND GROUND KIT			
CAT NO. PREFIX	TYPE	AMPERE RATING	WIRE SIZE (AWG/KCMIL)
TGL6	GND KIT	600-1200A	(3) #2-250 CU-AL
TNIA 1200	NEUTRAL ASM	1200A	(4) #250-350 CU (4) #250-500 AL



- NOTES:
1. MATERIAL: LOW CARBON STEEL
 2. FINISH: ELECTROCOAT ENAMEL, GRAY
 3. AGENCY APPROVAL: cULus LISTED -FILE E11592
 4. SUITABLE FOR USE AS SERVICE EQUIPMENT WHEN NEUTRAL ASSEMBLY IS INSTALLED
 5. THE SHORT CIRCUIT RATING OF THIS ENCLOSED CIRCUIT BREAKER IS EQUAL TO THE INTERRUPTING RATING, AT THE SUPPLY VOLTAGE MARKED ON THE CIRCUIT BREAKER INSTALLED
 6. FOR ALTERNATE LUGS CONSULT THE BUYLOG

DUAL DIMENSIONS INCHES (MILLIMETERS)

15QC930060D0201

DRAWING FILE 139C5498SH8	MODEL FILE 139C5498SH8	ABB		
DATE MODIFIED 20-Oct-20 04:21:58 AM	DESIGNED BY NAGARAJ.M			
Calculated for: VOLUME -- --	CN# C100130	APPROVED BY S.KIM	TITLE OUTLINE XT7ENCL1200R	
MASS -- --	MATERIAL SPECIFICATION -	FINISH SPECIFICATION --	UNITS in	LOCAL TITLE --
UNLESS OTHERWISE SPECIFIED	MATERIAL DESCRIPTION --	FINISH DESCRIPTION --	SIZE C	ROOT NUMBER --
TOLERANCE ON: 1 PL DECIMALS ± 0.0 2 PL DECIMALS ± 0.02 3 PL DECIMALS ± 0.005 ANGLES ± 1.0			SCALE 1:5	REV 1
			PRODUCT LINE MCCB-ENCLOSURES	RELEASE STATE Released
				SHEET 1 of 1

ABB PROPRIETARY AND CONFIDENTIAL INFORMATION
The information contained in this document has to be kept strictly confidential. Its use or disclosure is strictly forbidden. ABB reserves all rights regarding Intellectual Property Rights. Copyright © 2018 ABB. All rights reserved.

