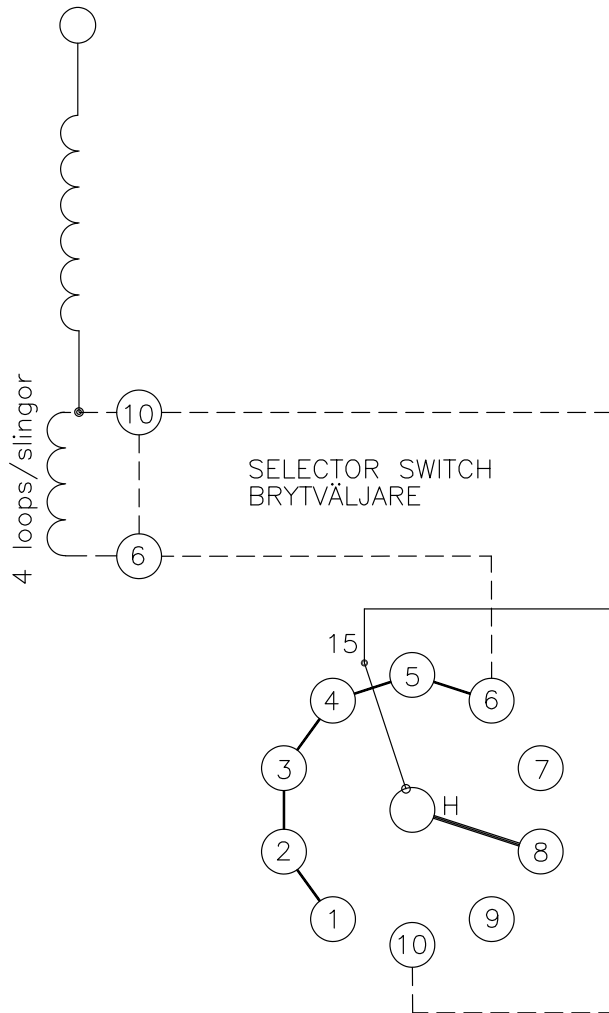


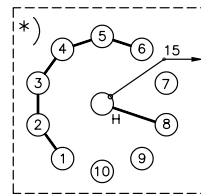
On-load tap-changer type VUBBL, UBBL, 5 tap positions, linear switching.  
 Min effective No. of turns in pos 1.  
 The tap-changer is delivered set in pos 3.

Lindningskopplare typ VUBBL, UBBL, 5 lägen, linjär-koppling.  
 Min antal effektiva varv i läge 1.  
 Lindningskopplaren levereras inställd i läge 3.

Pos Läge	H connects förbinder
1	10 - 15
2	9 - 15
3	8 - 15
4	7 - 15
5	6 - 15



1) OUTPUT TERMINAL STRÖMAVTAGNING  
 \*) FOR VUBB TYPE OF OLTC I VUBB UTFÖRANDE



1) Internal connections between the terminals 15 of the three phases are included in the star-point type. Connection between 1, 2, 3, 4, 5 and 6 are included. Dashed lines show in delivery not included leads belonging to cleats and leads.

H Main contact  
 Huvudkontakt

Inre förbindningar mellan uttag 15 i de tre faserna ingår i nollpunktsutförande. Förbindningar mellan 1, 2, 3, 4, 5 och 6 ingår. Streckade linjer visar i leveransen ej ingående ledare tillhörande anslutningsdonet.

We reserve all rights in this document and in the information contained therein. Reproduction, use or disclosure to third parties without express authority is strictly forbidden.  
 © ABB '19

Sheet	Cont				
Year	Week				
Dept		2	Output for VUBB type added.	DAAN	20 14
		1	VUBBL adeed.	TL	10 27
Rev Ind	Revision	Appd	Year	Week	
Accepted by qual control	Accepted for prod by	Description (English)		DATAORIGINAL	
R.Yngvesson		CONNECTION DIAGRAM			
Design checked by	Drawn by	Description (own language)		File name	
B-O.Stenestam	L.Bergman	KOPPLINGSSHEMA		0390-1	
Drawing checked by	Issued by Dept	Year	Week	Lang	Sheet
M.Hedlund	COM/TKO	97	32		1
<b>ABB</b>		Asea Brown Boveri		Rev Ind	Cont
		5492 0390-1		2	-