

S804U-UCZ

This breaker is specially designed for networks up to 600V d.c., e.g. datacenter. It is available as 4-pole version with a short-circuit current rating of 10kA acc. to UL489.



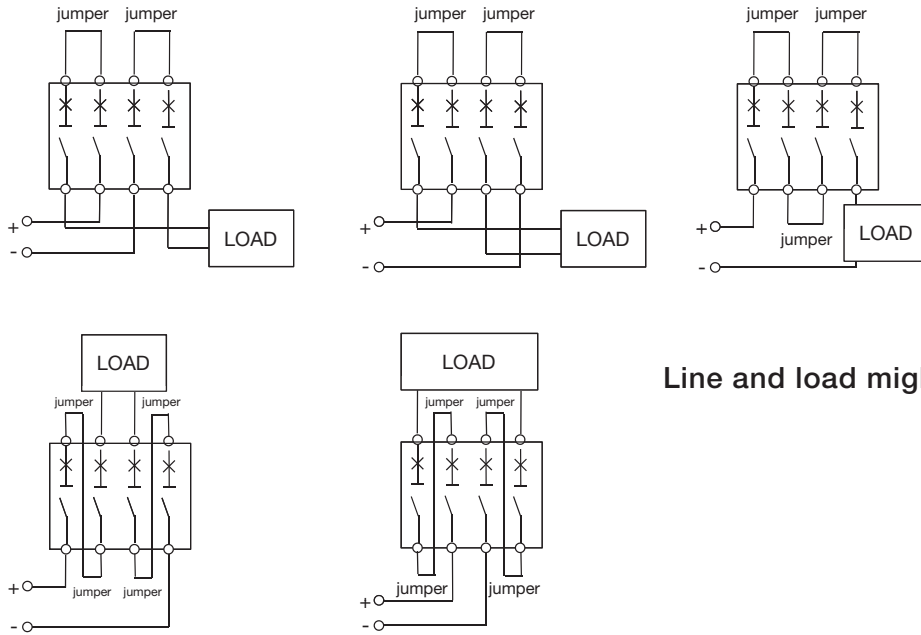
Technical data

Standard		UL489
Characteristic		Z
Rated current I_n	[A]	10–80
Rated voltage U_n	[V]	600 DC
No. of poles		4
Short-circuit current rating acc. to UL 489	[kA]	10
Tightening torque	[Nm]	3.5 (31 in.lb)
Protection category		IP40
		(actuating end only)
Mounting position		Any
Contacts		Cadmium-free
Reference temperature for tripping characteristic		25° C
Ambient temperature	[°C]	-25 ... +60
Storage temperature	[°C]	-40 ... +70
Approval		cULus
		File E312425

Ordering details

Rated current [A]	Type designation	Product number	EAN number	Weight [kg]	Pack unit [pcs.]
10	S804U-UCZ10	2CCS248356R0001	7612271420703	0.98	1
15	S804U-UCZ15	2CCS248357R0001	7612271420710	0.98	1
20	S804U-UCZ20	2CCS248358R0001	7612271420727	0.98	1
25	S804U-UCZ25	2CCS248359R0001	7612271420734	0.98	1
30	S804U-UCZ30	2CCS248360R0001	7612271420741	0.98	1
40	S804U-UCZ40	2CCS248361R0001	7612271420758	0.98	1
50	S804U-UCZ50	2CCS248362R0001	7612271420765	0.98	1
60	S804U-UCZ60	2CCS248363R0001	7612271420772	0.98	1
70	S804U-UCZ70	2CCS248364R0001	7612271420789	0.98	1
80	S804U-UCZ80	2CCS248365R0001	7612271420796	0.98	1

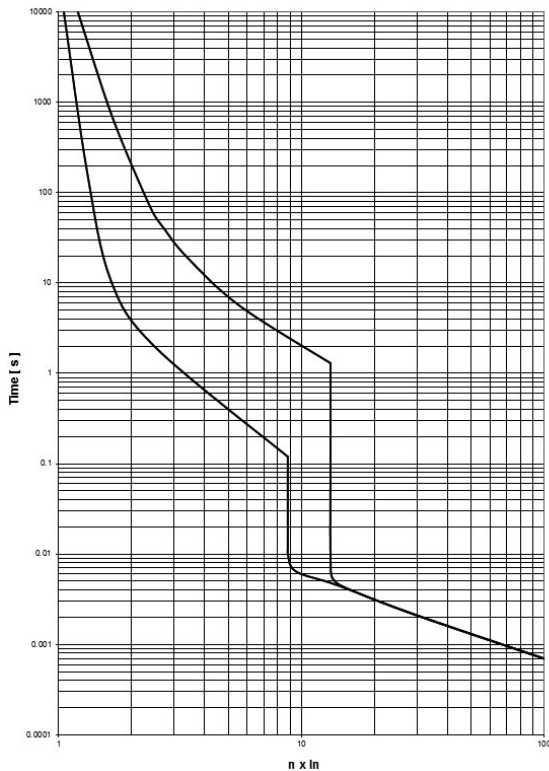
Tested and listed wirings



Line and load might be reversed

Ampere Rating [A]	10–32	40–63	70–80
Conductor Type	Single conductor per terminal – copper only, 60/75°C wire	Single conductor per terminal – copper only, 60°C wire only	Single conductor per terminal – copper only, 60°C wire only
AWG, Wire Range	14 AWG–2 AWG Cu, solid or stranded	1/0 AWG–8 AWG Cu, solid or stranded	1/0 AWG–8 AWG Cu, solid or stranded
Jumper Length [ft] Jumper Length [cm]	1 30.5	1 30.5	2 61

Tripping characteristic for S804U-UCZ

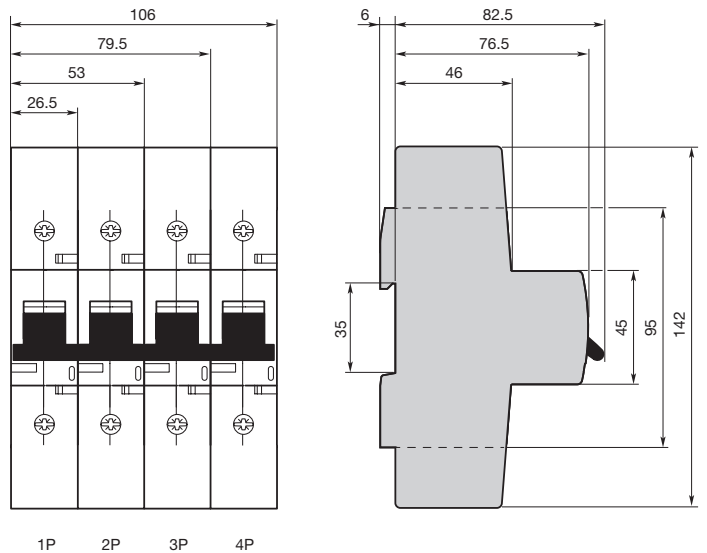


Tripping behavior acc. to UL489

Thermal tripping: $1.00 \dots 1.35 \times I_e$

Electromagnetic tripping: $11 \times I_e \pm 20\%$

Dimension of S804U-UCZ



2CC0413011B02001

2CC0413011B02001