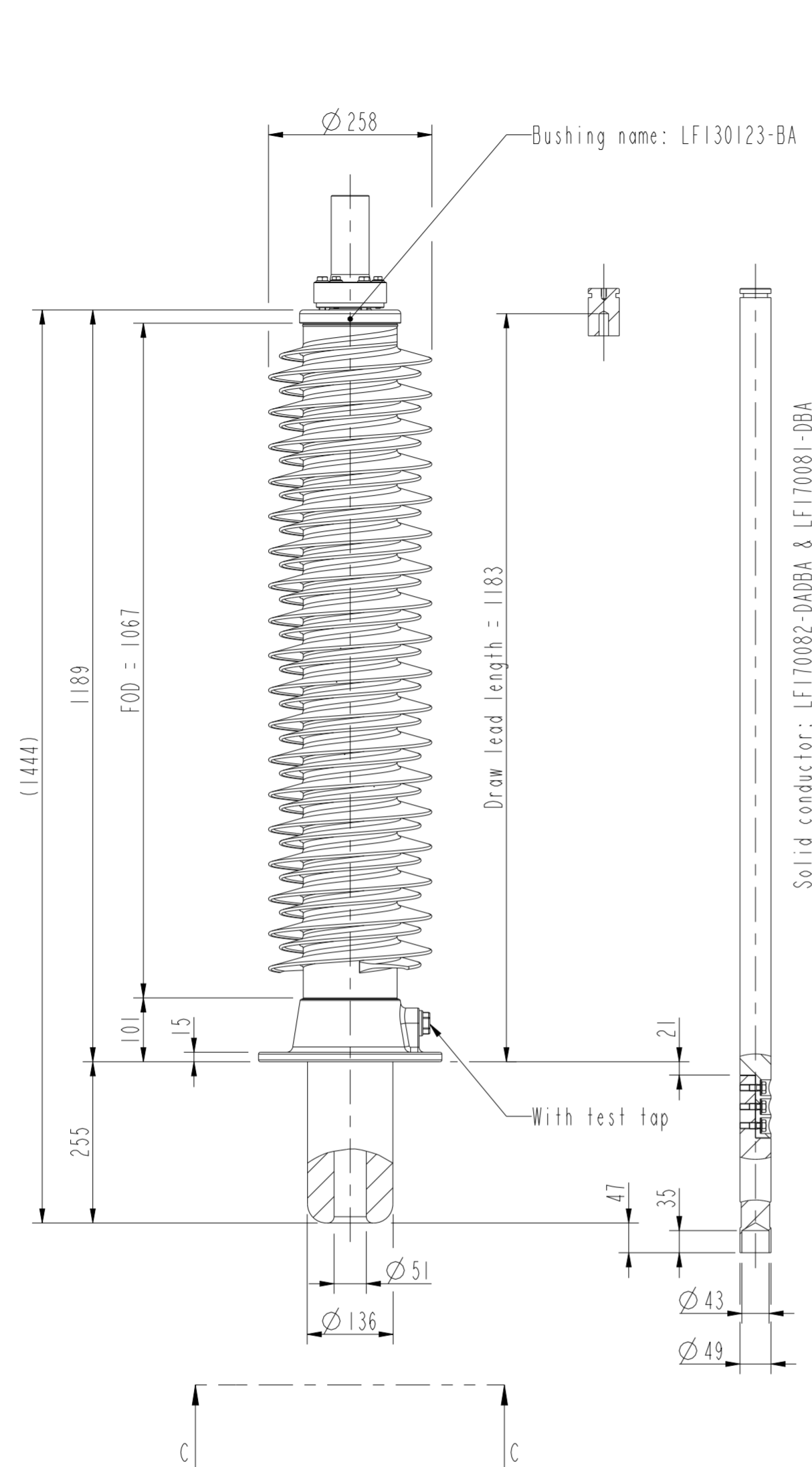


This document is issued by means of a computerized system. The digitally stored original is electronically approved. The approved document has a date entered in the "Approved"-field. A manual signature is not required.

Revision: Revision text
E Shed profile updated.

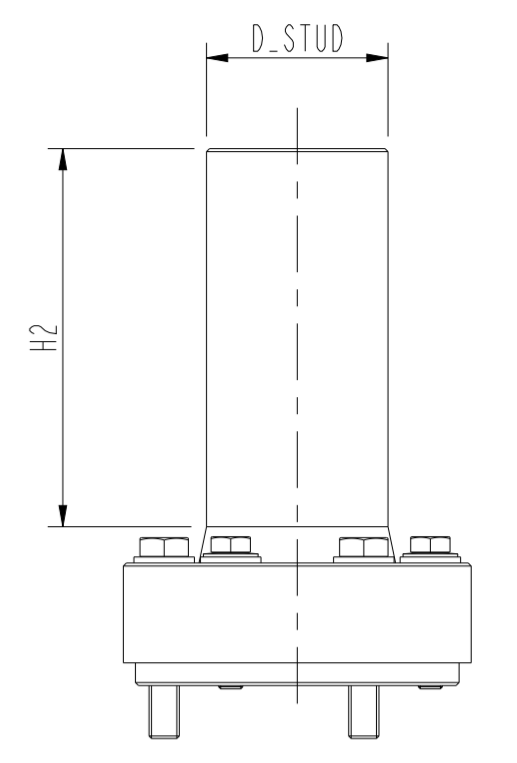


OUTER TERMINAL			
Catalogue No	MASS	H2	D_STUD
LF170079-A	2,3	125	60
LF170079-B	1,5	125	30
LF170079-C	6,1	125	60
LF170079-D	3,5	125	30
LF170079-E	6,1	125	60
LF170079-F	3,5	125	30
LF170079-G	6,1	125	60
LF170079-H	3,5	125	30
LF170079-AD	3,4	80	40

INNER TERMINAL	
Catalogue No	D_CABLE
LF170080-A	5
LF170080-B	11
LF170080-C	13
LF170080-D	15
LF170080-E	18
LF170080-F	30
LF170080-G	42
LF170080-H	45

SOLID CONDUCTOR, UPPER	
Catalogue No	MASS
LF170081-DBA	21,7

SOLID CONDUCTOR, LOWER	
Catalogue No	MASS
LF170082-DADBA	3,2



ELECTRICAL DATA acc. to IEC 60137			
Ratings	Rated voltage	170	kV
	Rated phase-to-earth voltage	98	kV
	Max. phase to earth voltage, temporary	170	kV
	Max. current with Cu-conductor	1600	A
	Max. current with stranded cable 740 mm ²	1250	A
	Dry lightning impulse	550	kV
	Wet power frequency	230	kV
Routine test	Dry power frequency	260	kV
Capacitance	Nominal capacitance	200	pF

GENERAL DATA			
Silicone rubber insulator	Creepage distance	3913	mm
	Protected creepage distance	1700	mm
	Color	Light grey	ANSI 70
Mass	Bushing	38	kg
Cantilever load	Cantilever test load, according to IEC 60137	4000	N
	Max. cantilever operating load, bushing	2000	N
Temp. class	According to IEC 60137	Class	3
Mounting and service instructions			2750515-115

ELECTRICAL DATA acc. to ANSI C57.19.00			
Ratings	Insulation class	115	kV
	Rated max. line to ground voltage	88	kV
	Max. current with Cu-conductor	1600	A
	Max. current with stranded cable 740 mm ²	1250	A
Dim. requirements acc. to C57.19.1 not fulfilled			

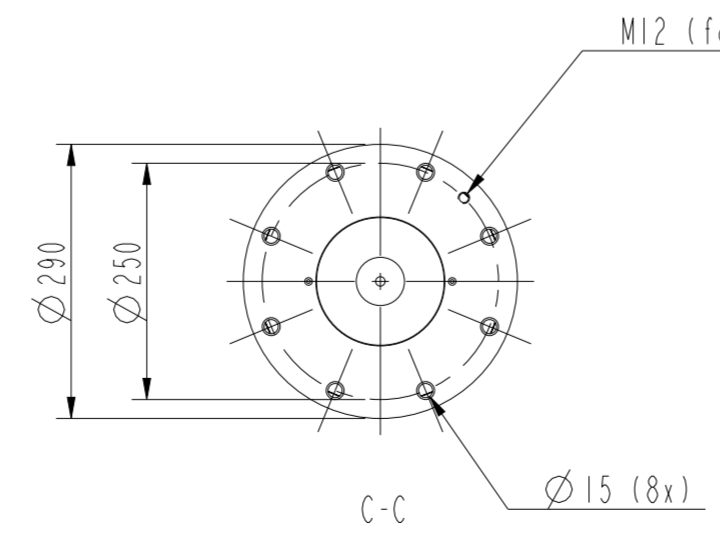
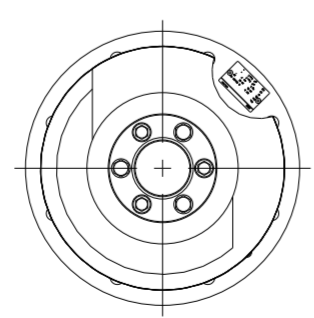
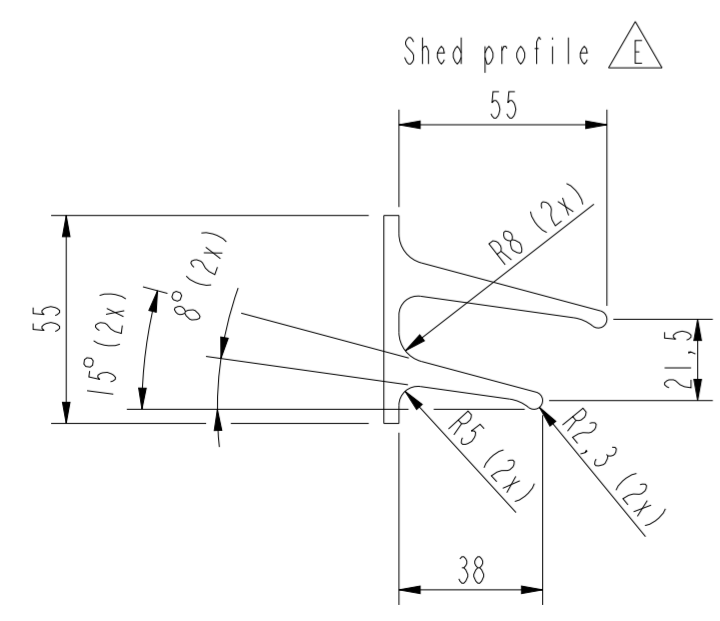


ABB		Ludvika, Sweden	
GSA 123-OA 1600/0	LF130123-BA		
No.			
Um 170 kV Ir1600 A 50/60 Hz			
BIL 550 kV SIL - kV AC 260 kV			
M 38 kg L 255 mm	∠ 0-90°		
C1	pF Tan δ	x	
C2	pF Tan δ	x	

Approved	Document Kind	Based on doc. id	Work order id	Project id
2017-01-25	Outline Drawing			
Company	Title, Supplementary title			
ABB AB	Dimension drawing GSA 123-OA 1600/0			
Responsible Department	Måttskiss GSA 123-OA 1600/0			
SEABB-9AAE300824	Document id	Status	Revision	Iteration
ABB	2751362-DBA	Released	E	1/1