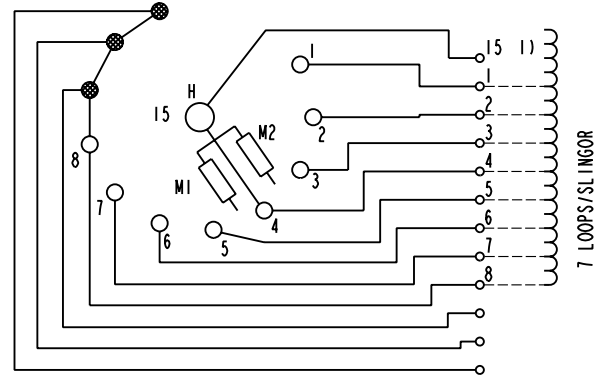


We reserve all rights in this document and in the information contained therein. Reproduction, use or disclosure to third parties without express authority is strictly forbidden. © ABB 19

Pos. Läge	H connects H förbinder
1	1 - 15
2	2 - 15
3	3 - 15
4	4 - 15
5	5 - 15
6	6 - 15
7	7 - 15
8	8 - 15

On-load tap-changer type UZEL., UZFL., 8 tap positions, linear switching.
Min. effective No. of turns in pos. 1.
The tap-changer is delivered set in pos. 4.

Lindningskopplare typ UZEL., UZFL., 8 lägen, linjär koppling.
Min. antal effektiva varv i läge 1.
Lindningskopplaren levereras inställd i läge 4.



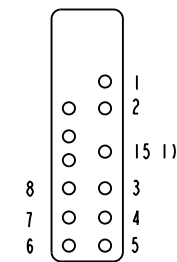
The tap-changer is shown in pos. 4
Lindningskopplaren visad i läge 4

H Main contact M1, M2 Transition contacts
Huvudkontakt Motståndskontakter

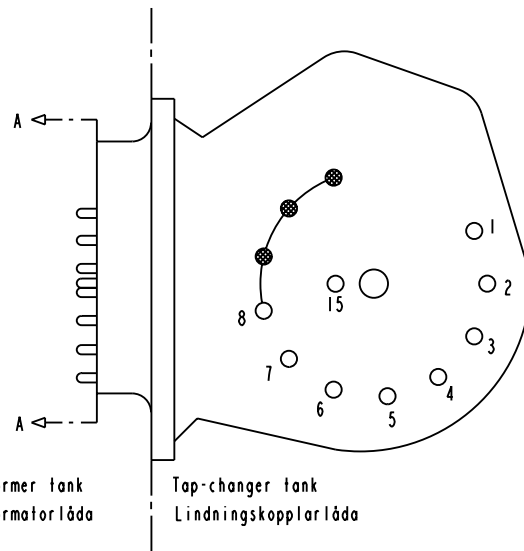
1) Connections between the terminals 15 of the three phases are included in the star-point type.

Förbindningar mellan uttag 15 i de tre faserna ingår i nollpunktsutförandet.

Terminal board
Plint



Section A-A
Sektion A-A



Transformer tank
Transformatorlåda

Tap-changer tank
Lindningskopplarlåda

Sheet	Cont	Year	Week	Appd	Year	Week	Description (English)		DATA ORIGINAL	
Year	Week	Cont	Year	Week	Year	Week	Description (own language)		File name	
Rev	In	Revision	Accepted for prod by	CONNECTION DIAGRAM		KOPPLINGSSCHEMA		0396-4	Lang	Sheet
Design checked by	Design checked by	Drawn by	Issued by	Dept	Year	Week	5492 0396-4		1	Cont
M.Hedlund	M.Hedlund	L.Bergman	COM/TKO	97	33				-	
		Asea Brown Boveri								