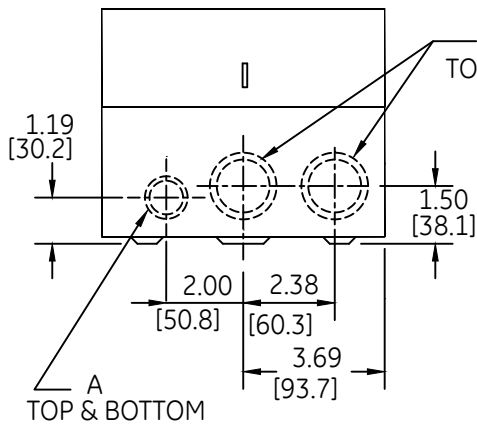
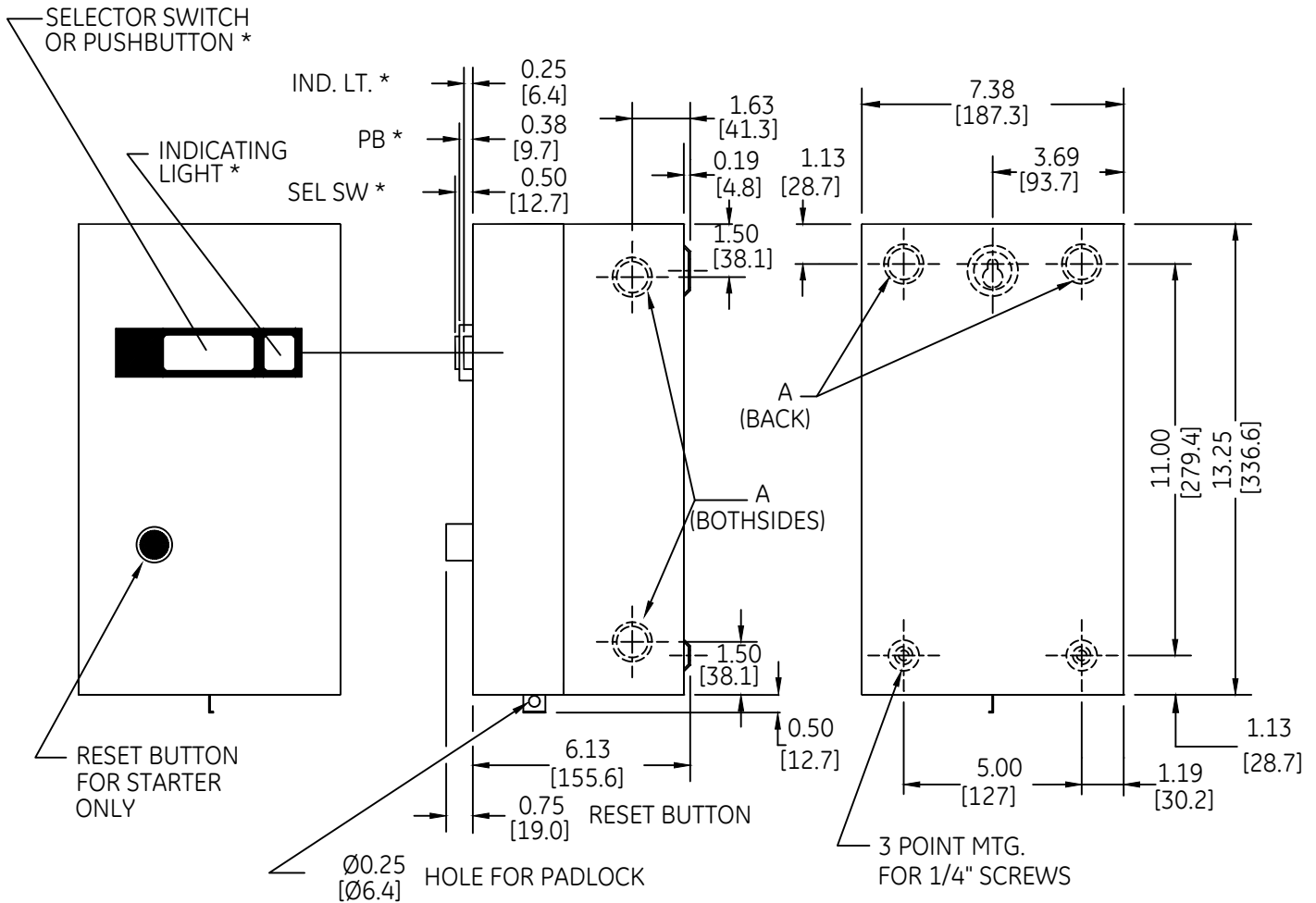


DUAL DIMENSIONS INCHES (ESTIMATING ONLY)
[MILLIMETERS]



A— Combination Knockouts For 1/2 or 3/4-Inch Conduit

B— Combination Knockouts For 1 or 1 1/4-Inch Conduit

*— If Specified

ABB

OUTLINE
TYPE 1 ENCLOSED

THIRD ANGLE	SHEET#	DWG NO.	DATE	REV
	1 of 1	55-178434	03/21	06