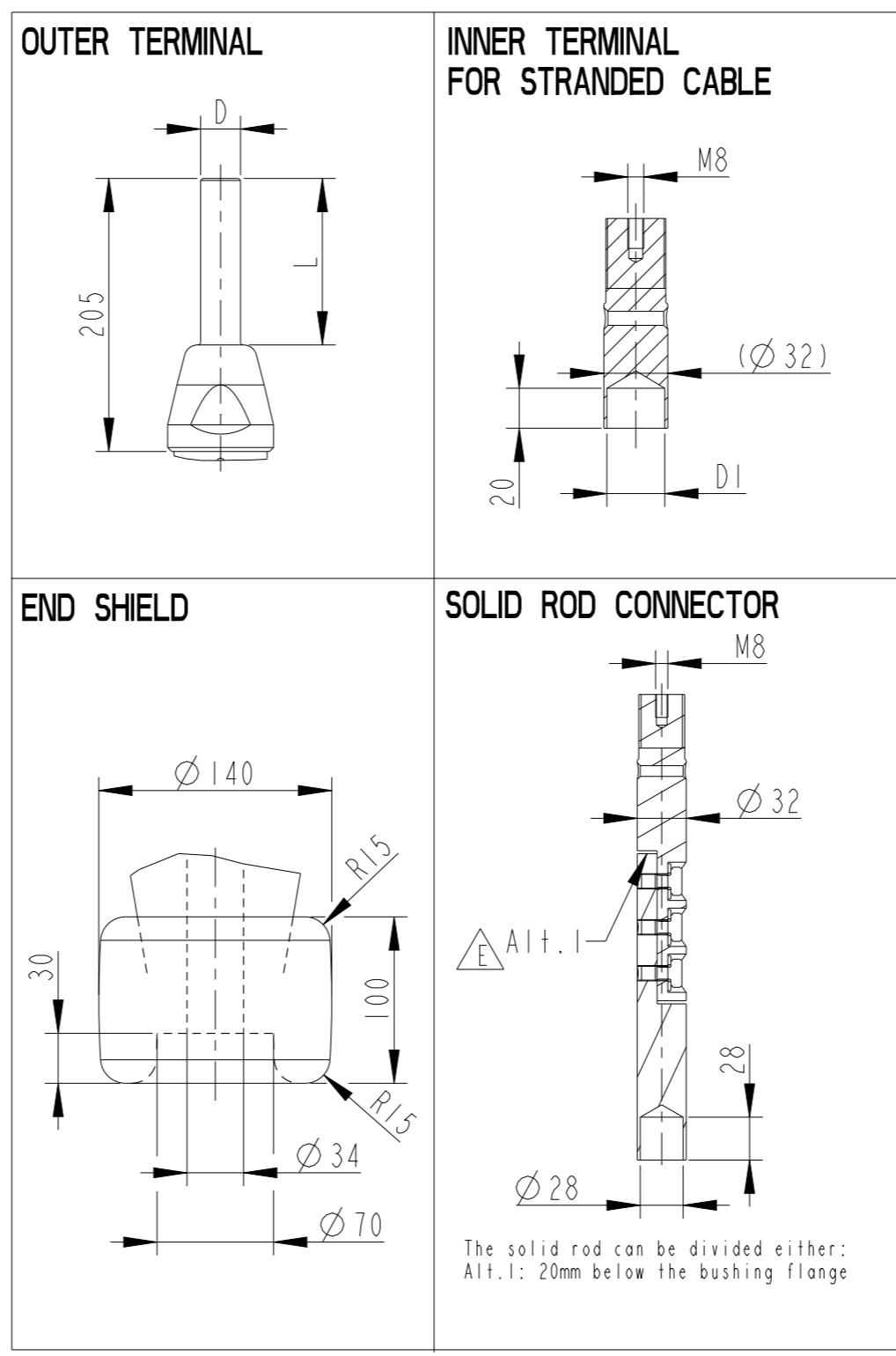
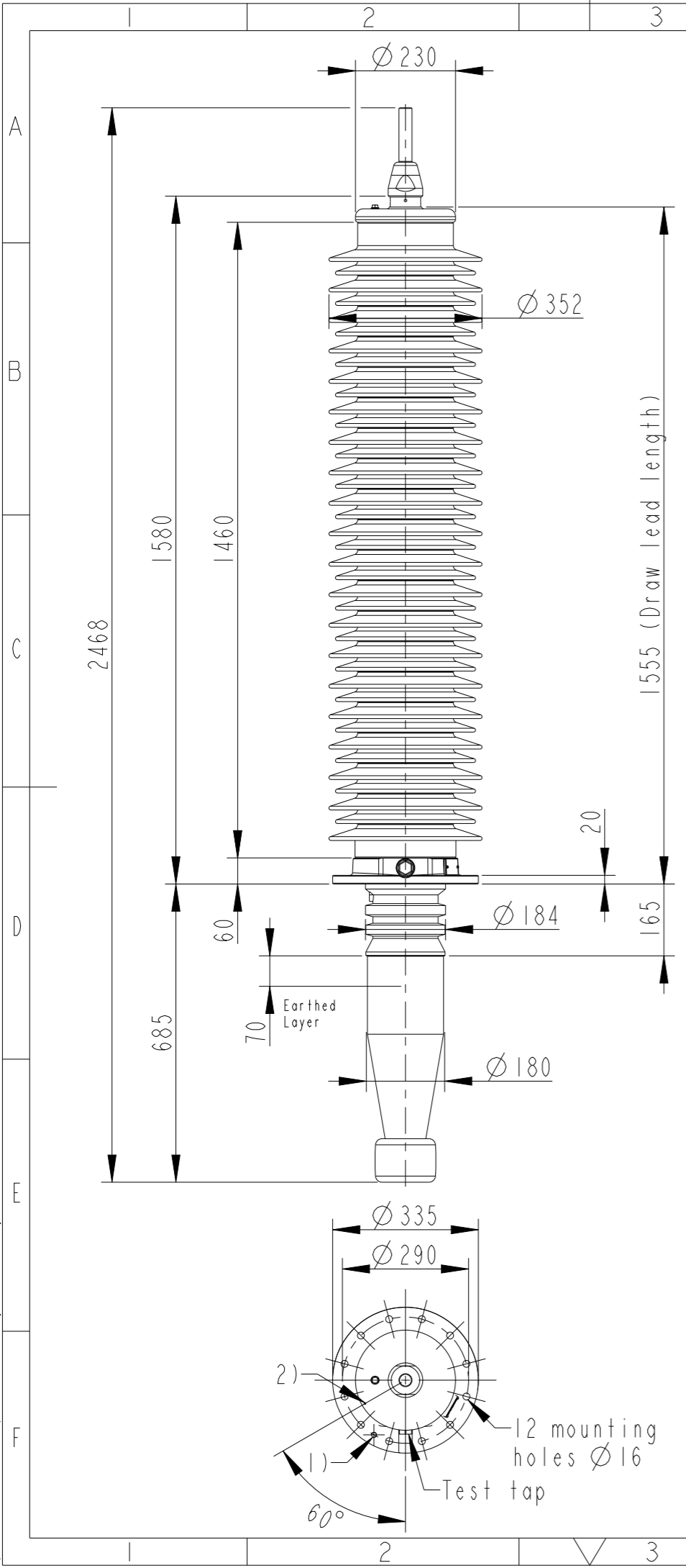


This document is issued by means of a computerized system. The digitally stored original is electronically approved. The approved document has a date entered in the "Approved"-field. A manual signature is not required.

We reserve all rights in this document and in the information contained therein. Reproduction, use or disclosure to third parties without express authority is strictly forbidden.

Revision	Revision text
E	Removed Alt.2, Changed the Phase to ground voltage from 170 to 98kV



### Bushing Data:

Rated Voltage	170	kV
Phase to Ground Voltage	$\triangle E$ 98	kV
Dry Lightning Impulse 1,2/50 $\mu$ s	750	kV
Wet power frequency AC	325	kV
Routine test 1min dry 50Hz	365	kV
Rated Current	1250	A
Creepage Distance	5420 $\pm$ 140	mm
Creepage Distance Protected	2330	mm
Mass	231	kg

### Ordering Data:

<b>BUSHING</b>	COLOUR AIR INSULATOR	
LF123077-K	BROWN	
LF123077-L	LIGHT GREY	
LF123077-HK	BROWN Horizontal 45°-90°	
LF123077-HL	LIGHT GREY Horizontal 45°-90°	
<b>OUTER TERMINAL</b>	Material D L	
LF 170 002-B	Cu alloy, $\varnothing$ 30, 125	
LF 170 001-B	Al, $\varnothing$ 30, 125	
OTHER TYPES ON REQUEST		
<b>INNER TERMINAL FOR STRANDED CABLE</b>		
<b>For brazing</b>	Conductor area	D1
LF 170 011-T	up to 285mm <sup>2</sup>	$\varnothing$ 29
LF 170 011-V	Undrilled with pilot hole $\varnothing$ 5	
<b>SOLID ROD CONNECTOR</b>	Material	
LF 170 052 -M for Alt.1	Cu	

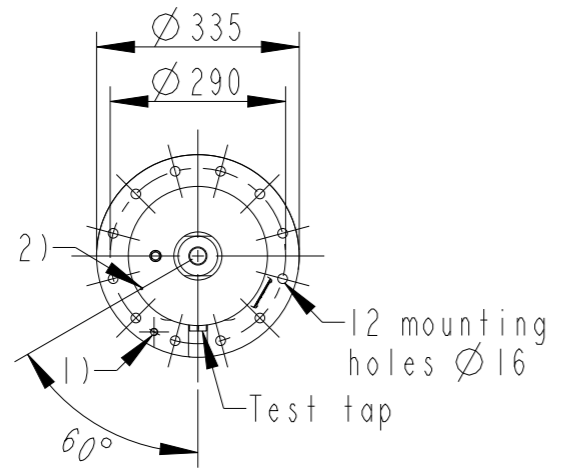


ABB		Ludvika, Sweden	
No.			
Um	kV Ir	A 50/60 Hz	
BIL	kV SIL	kV AC	kV
M	kg L	mm	°
C1	pF Tan $\delta$		x
C2	pF Tan $\delta$		x

- 1) M12 (For Earthing)
- 2)  $\varnothing$ 4 Oil connection hole (only valid for horizontal mounting)

Approved 2020-01-13	Document Kind Outline Drawing	Based on doc. id	Work order id	Project id
Company ABB Technology Ltd	Title, Supplementary title GOB 750-1250-0.2 WITHOUT OIL LEVEL GAUGE STD END SHIELD			
Responsible Department SEABB-9AAE300824	Document id 2751369-163	Status Released	Revision E	Iteration 1/1
<b>ABB</b>				