

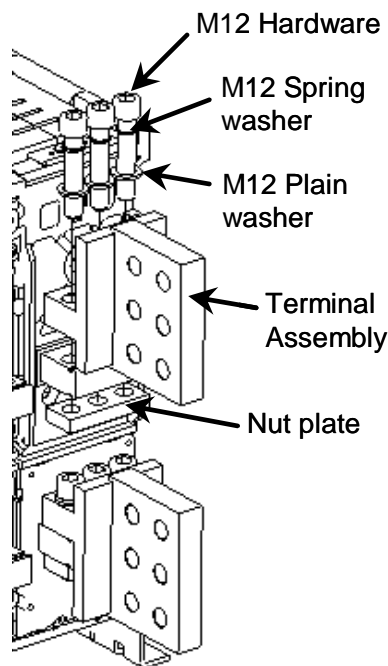
**DEH- 41440 Installation Instructions**

**EntelliGuard® G Circuit Breaker  
Accessories**

**Back Connected Terminations for Fixed  
Breaker**

**Back Connected Terminations Assembly  
Fixed Envelope 1 Upto 1600A**

Terminal assemblies are supplied with the EntelliGuard breaker. Fixed breakers have Back or Front Connected Terminations available. This instruction is for Back Connected Terminations



**Fig A , Back Connected Terminations - fixed**

**Table 1. Back Connected Terminations  
Catalog numbers**

Envelope Size	Catalog #	TYPE
Envelope 1	GBB116TBB3	3 pole
	GBB116TBB4	4 pole

**WARNING:** Before installing any accessories, turn the breaker OFF, disconnect it from all voltage sources, and discharge the closing springs.

**AVERTISSEMENT:** Avant d'installer tout accessoire, mettre le disjoncteur en position OFF, le déconnecter de toute tension d'alimentation, et décharger les ressorts d'armement

**Back Connected Terminations Assembly mounting  
Procedure:**

1. Turn the breaker off and discharge the closing springs by depressing the OFF and ON buttons in the sequence OFF-ON-OFF. Verify that the breaker OFF-ON indicator shows OFF on a green background and that the charge indicator shows DISCHARGE on a white background.
2. Assemble the bottom & top Back Connected Terminations assemblies to the breaker terminals and orient them as shown in shown in Fig A.
3. Terminal assemblies to be tightened with M12 hardware as shown in fig A, to 80 Nm (59 ft-lbs) torque.
4. Assemble the remaining termination assemblies similarly on all the poles to populate 3 pole / 4 pole breaker fig B & C.
5. The bus bars to be supported within 200mm distance and tightened to 50Nm (36.9 ft-lbs) torque.

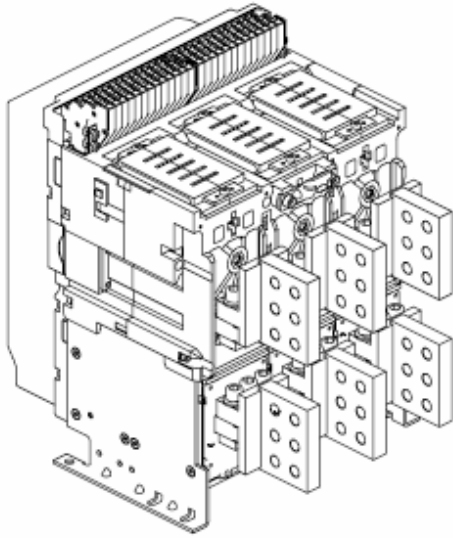


Fig B. Envelope 1 fixed , 1600A 3 Pole

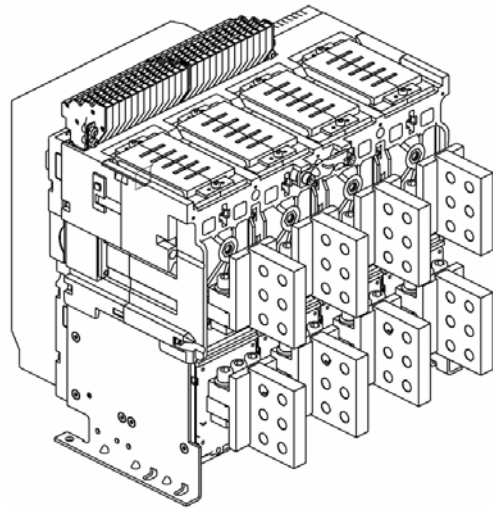


Fig C. Envelope 1 fixed , 1600A 4 Pole

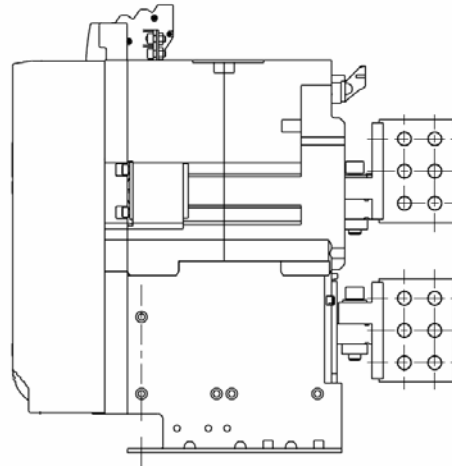


Fig D. Envelope 1 fixed , 1600A side view

These instructions do not cover all details or variations in equipment nor do they provide for every possible contingency that may be met in connection with installation, operation, or maintenance. Should further information be desired or should particular problems arise that are not covered sufficiently for the purchaser's purposes, the matter should be referred to the ABB Inc.

—  
**ABB Inc.**  
 305 Gregson Drive  
 Cary, NC 27511.  
 electrification.us.abb.com

—  
 We reserve the right to make technical changes or modify the contents of this document without prior notice. With regard to purchase orders, the agreed particulars shall prevail. ABB Inc. does not accept any responsibility whatsoever for potential errors or possible lack of information in this document.

We reserve all rights in this document and in the subject matter and illustrations contained therein. Any reproduction or utilization of its contents – in whole or in parts – is forbidden without prior written consent of ABB Inc.  
 Copyright© 2019 ABB  
 All rights reserved