


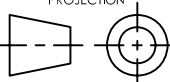
NOTES:

- 1 SWITCHED POWER OUT ON RADIO UCI ONLY
- 2 GRA WIRE NOT NECESSARY.
- 3 POWER FOR BARRIER MUST ORIGINATE FROM NON-HAZARDOUS AREA.
- 4 JUMPER NOT NEEDED ON RS485 MODEM INTERFACE.
- 5 SPECIAL CASE RETROFIT ONLY IF RS485 MODEM INTERFACE IS USED AS A RETROFIT FOR A RADIO UCI WHEN USED WITH A UPS212 MODEM IN CONTINUOUS POWER MODE. THEN TB3-6 AND TB4-9 MUST BE JUMPED TOGETHER.
- 6 D1 NOT NEEDED WHEN USING RS485 COMM MODULE 2015193-002. THESE DIODES MAY BE USED:  
D30914 (1N914JANTX)  
D34001 (1N4001)  
D34004 (1N4004)
- 7 INSTRUCTIONS FOR USING THIS DOCUMENT:  
SELECT APPROPRIATE DRAWING FROM "REFERENCE INDEX" PAGE 2. SELECT THE DIAGRAM WHICH MATCHES YOUR CONFIGURATION AND GO TO THE SPECIFIED SHEET NUMBER.
- 8 12 VOLTS VBATT (WHT WIRE) USED TO POWER COMM DEVICE SHOULD ONLY BE ATTACHED TO A SINGLE FCU AND NEVER DAISY CHAINED.

NOTES CONTINUED:

- 9 FACTORY ALWAYS WIRES DIAL-UP MODEM FOR CONTINUOUS POWER UNLESS CUSTOMER SPECIFIES SWITCHED POWER. TO ENABLE FCU SCHEDULER, REMOVE JUMPER.
- 10. ALL UNUSED WIRES ARE TO BE BENT BACK AND TAPED SO SHORTING CANNOT OCCUR. NOT PERMISSIBLE TO HAVE ANY UNUSED EXPOSED WIRES.
- 11 WHEN USING DIAL-UP DUAL PORT MODEM, POWER TO BE CONNECTED TO P1-9 OF MODEM.

REVISIONS					
REV	ACTION	DRAWN	CHECKED	APPROVED	DATE
AM	D20710	KASTNER	KASTNER	BUSHNELL	07/08/24
AK	D16204	BUSHNELL	HOOVER	BUSHNELL	04/08/30
AL	D16241	KASTNER	KASTNER	BUSHNELL	04/09/17

ASSEMBLY/QUANTITY		ITEM NO.	PART NUMBER	DESCRIPTION	REF/ZONE DESIG MATERIAL	UNIT MEAS
PARTS LIST						
DO NOT SCALE DRAWING		UNLESS OTHERWISE SPECIFIED DIMENSIONS ARE IN INCHES		PRODUCT LINE <b>TOTALFLOW®</b>	LEVEL <b>3</b>	 <b>TOTALFLOW Products</b>
THIRD ANGLE PROJECTION 		TOLERANCES ARE: DECIMAL            ANGULAR .XX ±            --            ± -- .XXX ±            --		DESIGN <b>G. HOLLAND</b>	DATE <b>97/7</b>	
		BREAK ALL SHARP CORNERS AND EDGES DIMENSIONS APPLY BEFORE FINISH		DRAWN <b>A. KASTNER</b>	DATE <b>97/7/23</b>	
				CHECKED <b>G. HOLLAND</b>	DATE <b>97/7/23</b>	
				APPROVED <b>G. HOLLAND</b>	DATE <b>97/7/23</b>	
				SCALE <b>NONE</b>	SIZE <b>B</b>	DOC TYPE <b>WI</b>
				DRAWING NO. <b>2017398</b>	REV <b>AM</b>	SHEET <b>1 OF 14</b>

7

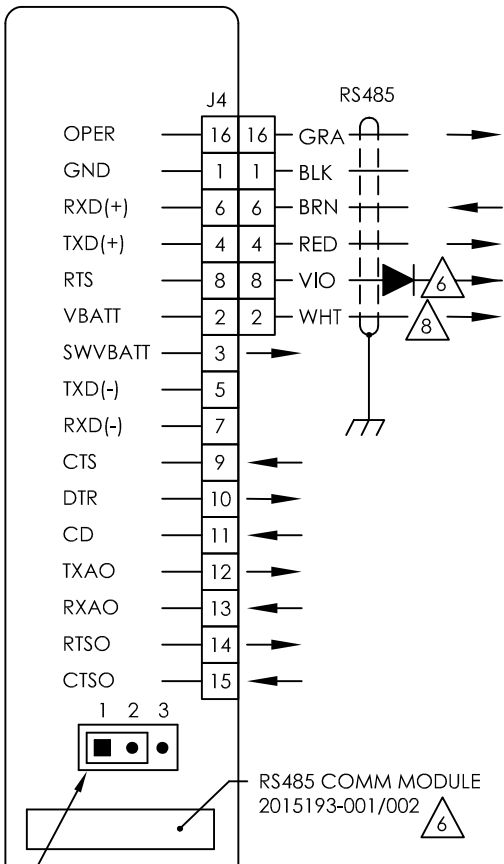
REFERENCE INDEX

64XX FCU	SEE SH 3 COL A, B, C, D	UCI (RADIO) (DESKTOP)
64XX FCU	SEE SH 4 COL E, F, G, H	RS485 MODEM INTERFACE
64XX FCU	SEE SH 4 COL E, F, G, H	UCI (MODEM) UCI2 (RADIO)
64XX FCU	SEE SH 4 COL E, F, G, H	UCI2 (DIAL-UP MODEM) RS485 (DIAL-UP MODEM) DUAL PORT MODEM
64XX FCU	SEE SH 5 COL J, K, L, M	RADIO MODEM ASSY
64XX FCU	SEE SH 6 COL N, P	RS485/RS232 CONVERTER
64XX FCU	SEE SH 7 COLUMN R	DGH BOX
64XX FCU	SEE SH 13	UCI2 (RS232) (DIAL-UP MODEM)

XFC 64XX FCU	SEE SH 8 COL A, B, C, D	UCI (RADIO) (DESKTOP)	RS485
XFC 64XX FCU	SEE SH 9 COL E, F, G, H	RS485 MODEM INTERFACE	
XFC 64XX FCU	SEE SH 9 COL E, F, G, H	UCI (MODEM) UCI2 (RADIO)	
XFC 64XX FCU	SEE SH 9 COL E, F, G, H	UCI2 (DIAL-UP MODEM) RS485 (DIAL-UP MODEM) (DIAL-UP DUAL PORT MODEM)	
XFC 64XX FCU	SEE SH 10 COL J, K, L, M	RADIO MODEM ASSY	
XFC 64XX FCU	SEE SH 11 COL N, P	RS485/RS232 CONVERTER	
XFC 64XX FCU	SEE SH 12 COLUMN R	DGH BOX	
XFC 64XX FCU	SEE SH 14	UCI2 (DIAL-UP MODEM) (DIAL-UP DUAL PORT MODEM)	RS232

64XX FCU

ELEK BD  
2015189-XXX  
2015333-XXX

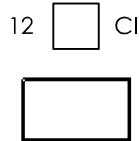
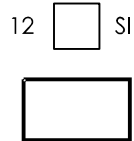
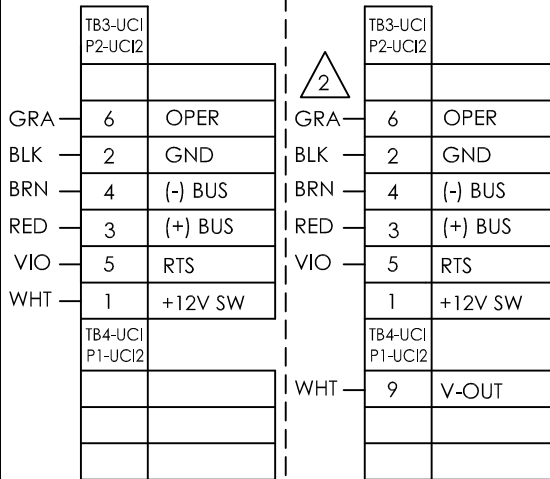


POWER FROM AIU/RTU/FCU

A	B
SWITCHED POWER	CONTINUOUS POWER

- RADIO UCI ASSY  
2012630-004/007
- DESKTOP UCI ASSY  
2012630-005
- RS485 MODEM  
2017266-003 PCBA
- DUAL PORT MODEM  
2017266-004 PCBA

- RADIO UCI ASSY  
2012630-004/007
- DESKTOP UCI ASSY  
2012630-005

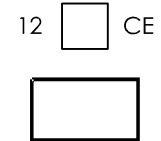
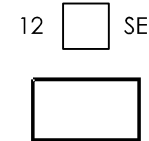
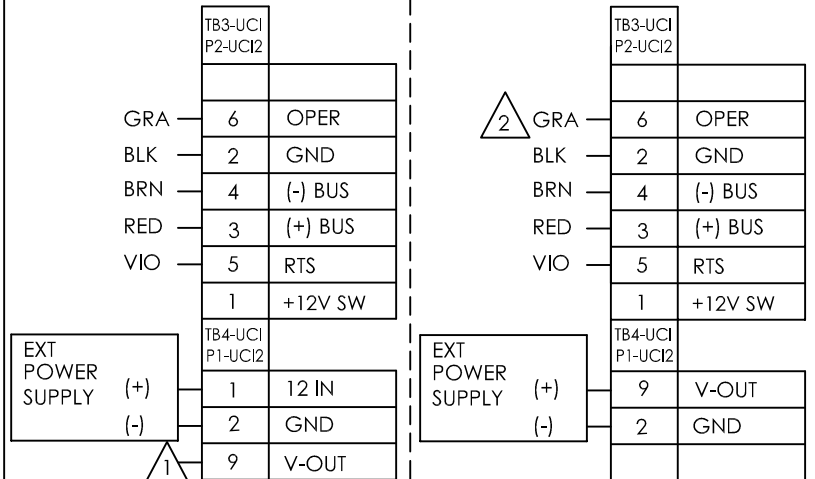


EXT POWER SUPPLY

C	D
SWITCHED POWER	CONTINUOUS POWER

- RADIO UCI ASSY  
2012630-004/007

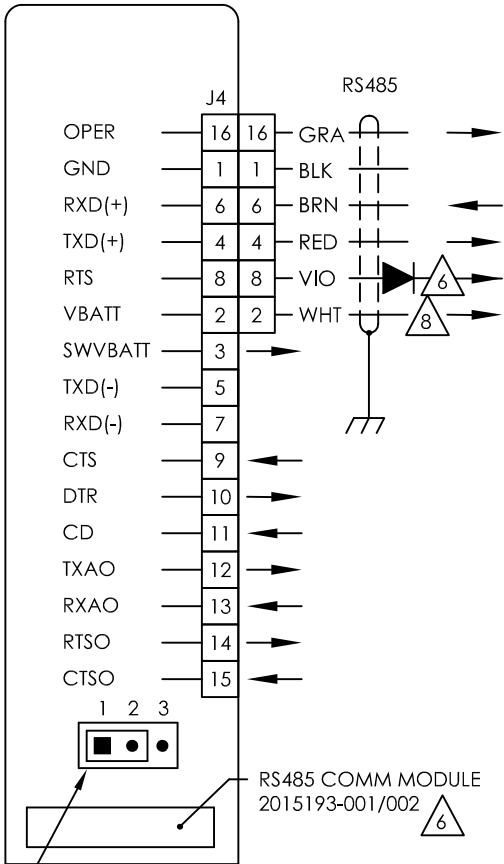
- RADIO UCI ASSY  
2012630-004/007
- DESKTOP UCI ASSY  
2012630-005
- UCI2 ASSY  
2017266-001 PCBA



JUMPER ON J11 TO BE PLACED  
ON PINS 1 & 2 OF LAST FCU  
ON RS485 BUS ONLY.

64XX FCU

ELEK BD  
2015189-XXX  
2015333-XXX



JUMPER ON J11 TO BE PLACED  
ON PINS 1 & 2 OF LAST FCU  
ON RS485 BUS ONLY.

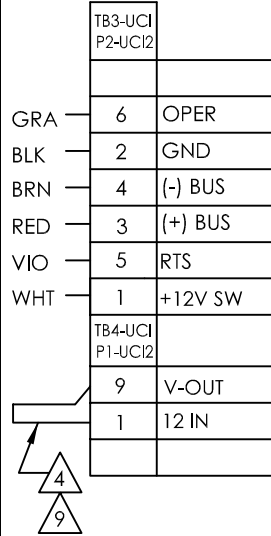
POWER FROM AIU/RTU/FCU

E  
SWITCHED POWER

F  
CONTINUOUS POWER

- RS485 MODEM INTERFACE  
2017273-001
- MODEM UCI ASSY  
2012630-006/008
- UCI2 (DIAL-UP MODEM)  
2018323-001/002  
2017379-001/002
- UCI2 ASSY  
2017266-001 PCBA

- RS485 MODEM INTERFACE  
2017273-001
- MODEM UCI ASSY  
2012630-006/008
- UCI2 (DIAL-UP MODEM)  
2018323-001/002  
2017379-001/002
- UCI2 ASSY  
2017266-001 PCBA



12V SI



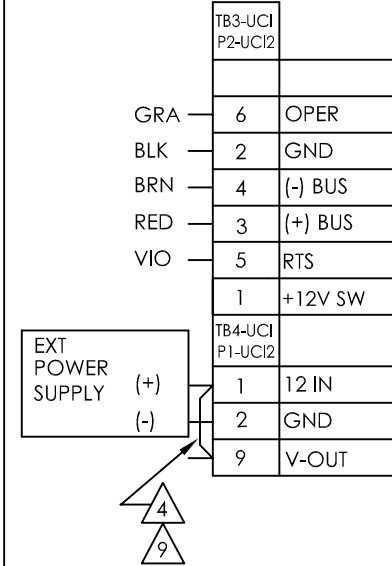
EXT POWER SUPPLY

G  
SWITCHED POWER

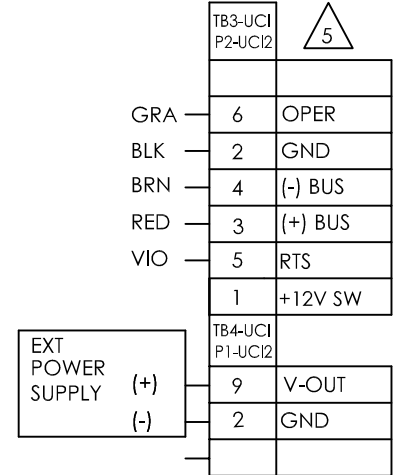
H  
CONTINUOUS POWER

- RS485 MODEM INTERFACE  
2017273-001
- MODEM UCI ASSY  
2012630-006/008
- UCI2 (DIAL-UP MODEM)  
2018323-001/002  
2017379-001/002

- RS485 MODEM INTERFACE  
2017273-001
- MODEM UCI ASSY  
2012630-006/008
- UCI2 (DIAL-UP MODEM)  
2018323-001/002  
2017379-001/002



12V SE

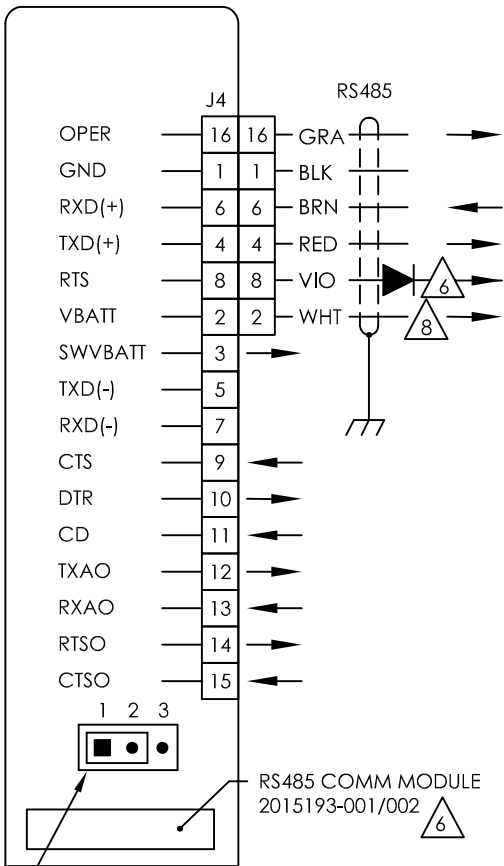


12V CE



64XX FCU

ELEK BD  
2015189-XXX  
2015333-XXX



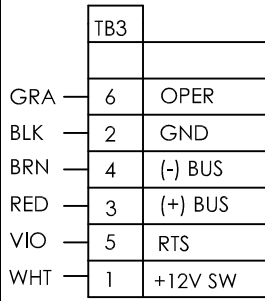
RS485 COMM MODULE  
2015193-001/002

JUMPER ON J11 TO BE PLACED  
ON PINS 1 & 2 OF LAST FCU  
ON RS485 BUS ONLY.

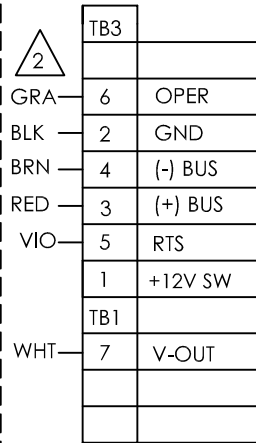
POWER FROM AIU/RTU/FCU

J SWITCHED POWER      K CONTINUOUS POWER

• RADIO MODEM ASSY  
2011613-001



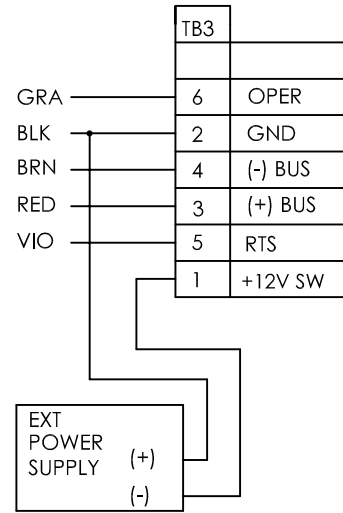
• RADIO MODEM ASSY  
2011613-001



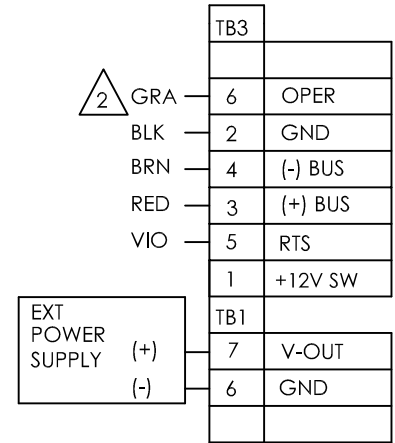
EXT POWER SUPPLY

L SWITCHED POWER      M CONTINUOUS POWER

• RADIO MODEM ASSY  
2011613-001

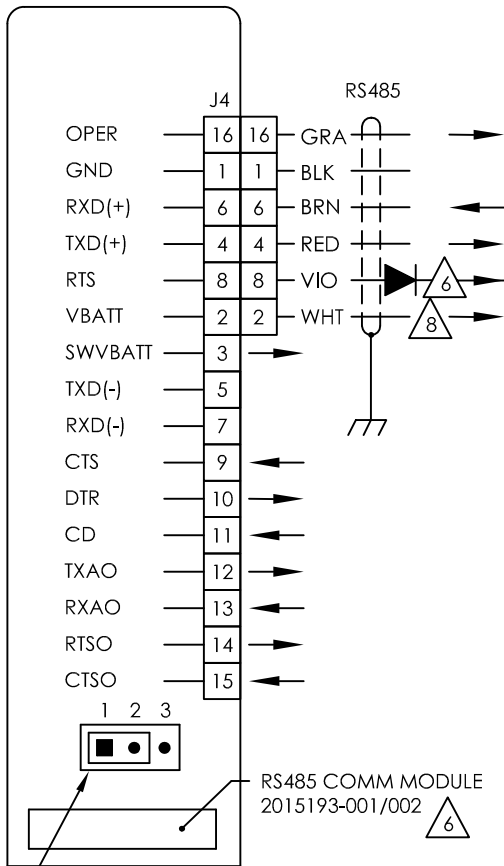


• RADIO MODEM ASSY  
2011613-001



64XX FCU

ELEK BD  
2015189-XXX  
2015333-XXX

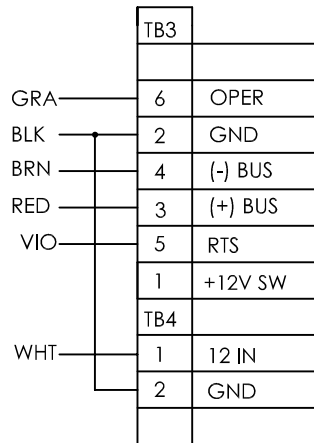


POWER FROM AIU/RTU/FCU

N  
SWITCHED POWER

CONTINUOUS POWER

RS485/RS232 CONVERTER  
2011982-003/004

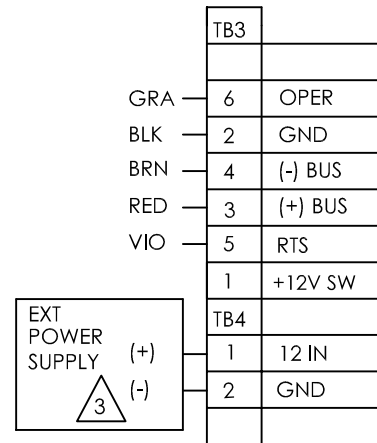


EXT POWER SUPPLY

P  
SWITCHED POWER

CONTINUOUS POWER

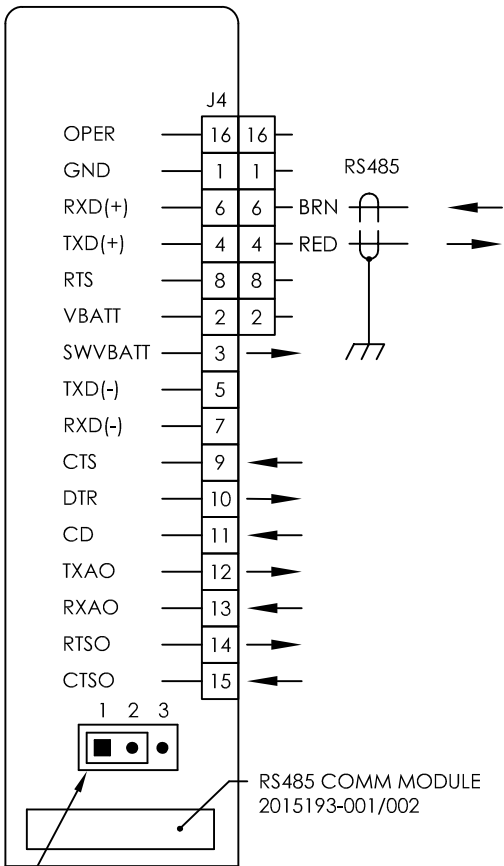
RS485/RS232 CONVERTER  
2011982-003/004



JUMPER ON J11 TO BE PLACED  
ON PINS 1 & 2 OF LAST FCU  
ON RS485 BUS ONLY.

64XX FCU

ELEK BD  
2015189-XXX  
2015333-XXX



RS485 COMM MODULE  
2015193-001/002

JUMPER ON J11 TO BE PLACED  
ON PINS 1 & 2 OF LAST FCU  
ON RS485 BUS ONLY.

POWER FROM AIU/RTU/FCU

SWITCHED POWER

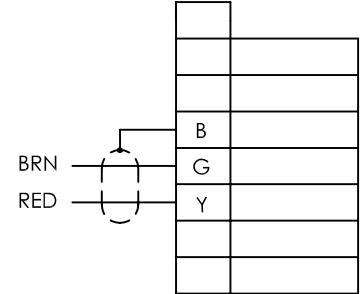
CONTINUOUS POWER

EXT POWER SUPPLY

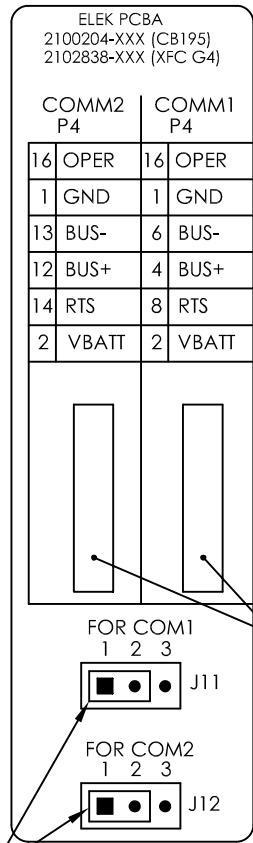
SWITCHED POWER

R  
CONTINUOUS POWER

DGH BOX (DGH-A-1100)



XFC 6413/6414  
XFC 6713/6714



RS485 COMM MODULE  
2015193-001/  
2015193-002

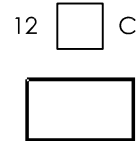
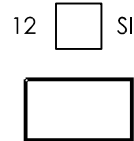
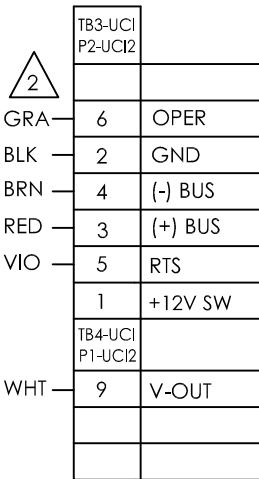
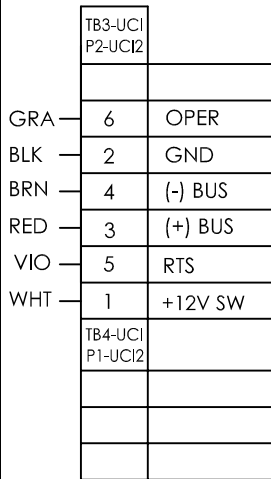
JUMPER ON J11 OR J12 TO BE PLACED ON PINS 1 & 2 OF LAST FCU ON RS485 BUS ONLY.

POWER FROM AIU/RTU/FCU

A	B
SWITCHED POWER	CONTINUOUS POWER

- RADIO UCI ASSY 2012630-004/007
- DESKTOP UCI ASSY 2012630-005
- RS485 MODEM 2017266-003 PCBA
- DUAL PORT MODEM 2017266-004 PCBA

- RADIO UCI ASSY 2012630-004/007
- DESKTOP UCI ASSY 2012630-005

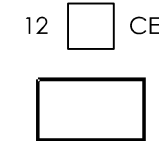
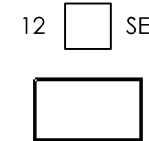
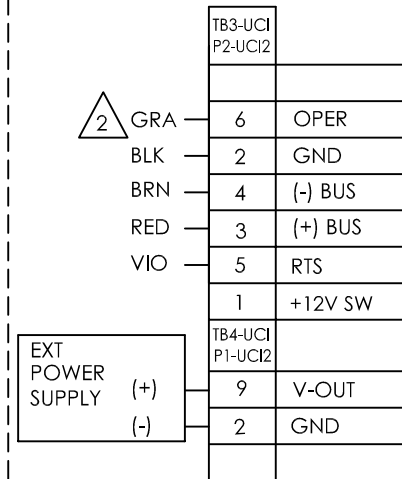
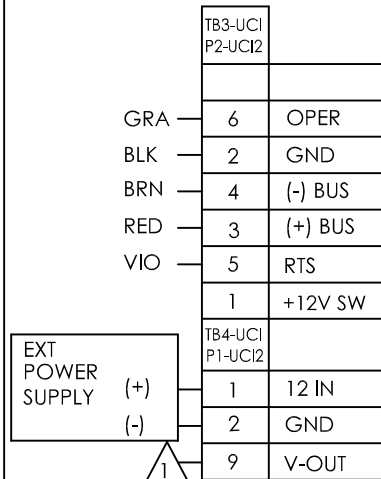


EXT POWER SUPPLY

C	D
SWITCHED POWER	CONTINUOUS POWER

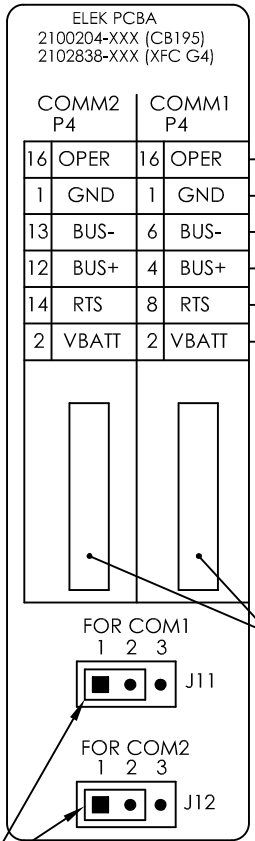
- RADIO UCI ASSY 2012630-004/007

- RADIO UCI ASSY 2012630-004/007
- DESKTOP UCI ASSY 2012630-005
- UCI2 ASSY 2017266-001 PCBA





XFC 6413/6414  
XFC 6713/6714



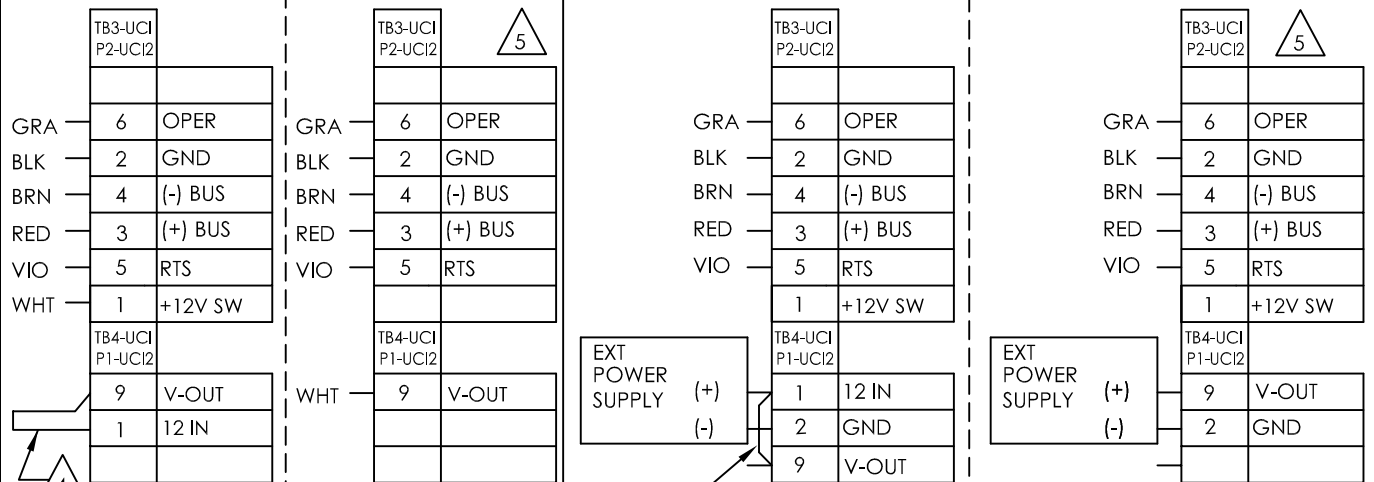
JUMPER ON J11 OR J12 TO BE PLACED ON PINS 1 & 2 OF LAST FCU ON RS485 BUS ONLY.

POWER FROM AIU/RTU/FCU

EXT POWER SUPPLY

E SWITCHED POWER		F CONTINUOUS POWER		G SWITCHED POWER		H CONTINUOUS POWER	
---------------------	--	-----------------------	--	---------------------	--	-----------------------	--

- RS485 MODEM INTERFACE 2017273-001
- MODEM UCI ASSY 2012630-006/008
- UCI2 (DIAL-UP MODEM) 2018323-001/002 2017379-001/002 (DIAL-UP DUAL PORT MODEL) 2017379-008/009
- UCI2 ASSY 2017266-001 PCBA



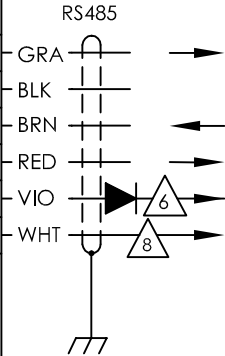
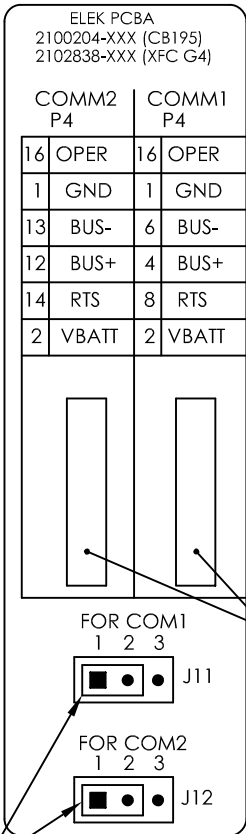
12V SI

12V CI

12V SE

12V CE

XFC 6413/6414  
XFC 6713/6714



RS485  
COMM MODULE  
2015193-001/  
2015193-002

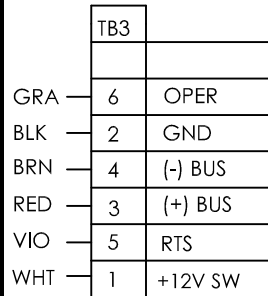
JUMPER ON J11 OR J12 TO BE PLACED  
ON PINS 1 & 2 OF LAST FCU  
ON RS485 BUS ONLY.

POWER FROM AIU/RTU/FCU

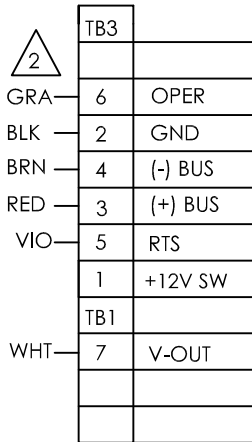
J  
SWITCHED POWER

K  
CONTINUOUS POWER

• RADIO MODEM ASSY  
2011613-001



• RADIO MODEM ASSY  
2011613-001

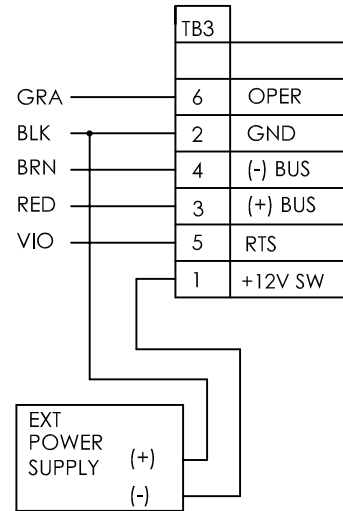


EXT POWER SUPPLY

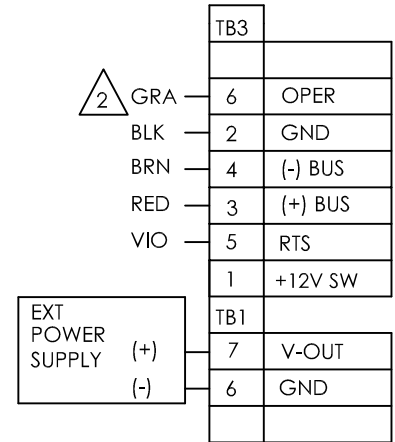
L  
SWITCHED POWER

M  
CONTINUOUS POWER

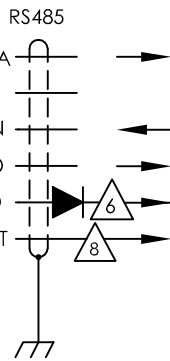
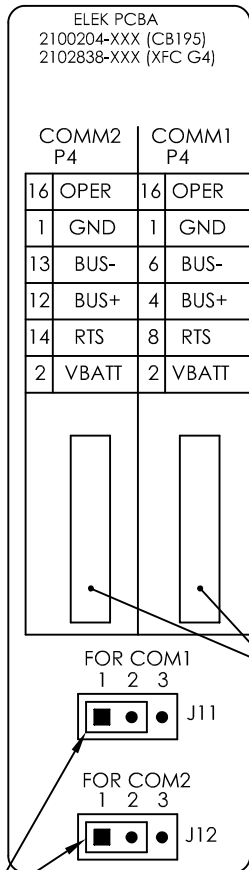
• RADIO MODEM ASSY  
2011613-001



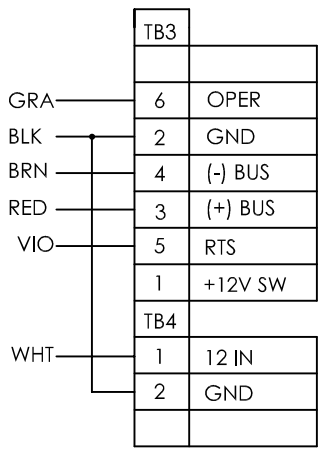
• RADIO MODEM ASSY  
2011613-001



XFC 6413/6414  
XFC 6713/6714



RS485/RS232 CONVERTER  
2011982-003/004



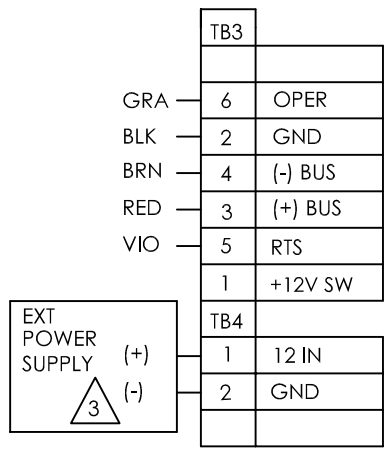
POWER FROM AIU/RTU/FCU

N  
SWITCHED POWER      CONTINUOUS POWER

EXT POWER SUPPLY

P  
SWITCHED POWER      CONTINUOUS POWER

RS485/RS232 CONVERTER  
2011982-003/004



JUMPER ON J11 OR J12 TO BE PLACED  
ON PINS 1 & 2 OF LAST FCU  
ON RS485 BUS ONLY.

XFC 6413/6414  
XFC 6713/6714

POWER FROM AIU/RTU/FCU

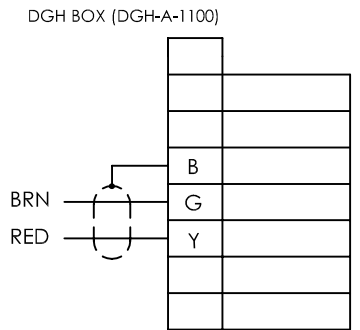
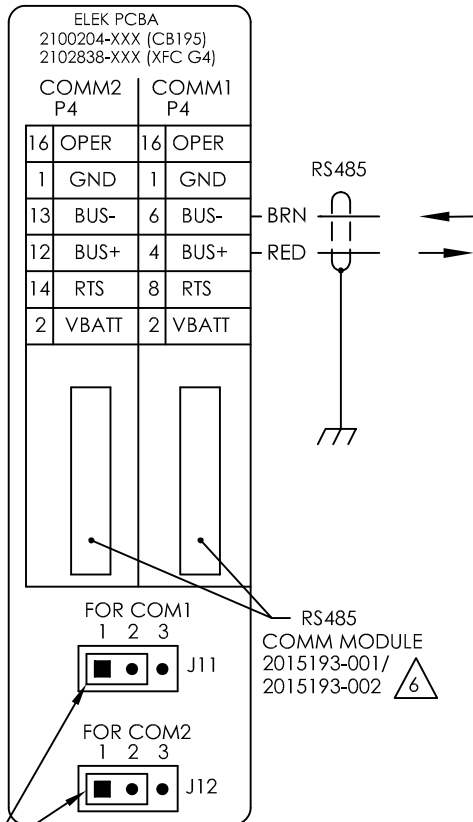
EXT POWER SUPPLY

SWITCHED POWER

CONTINUOUS POWER

SWITCHED POWER

CONTINUOUS POWER

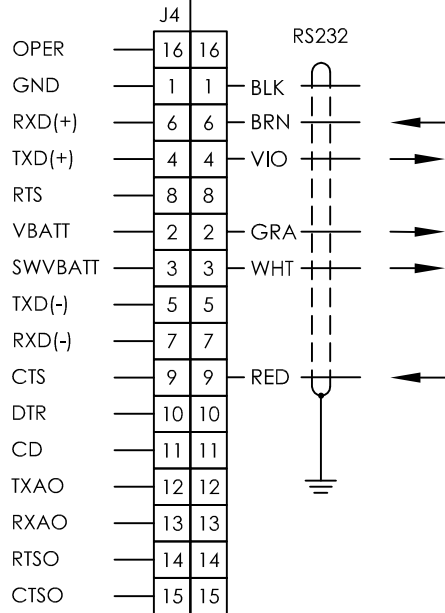


JUMPER ON J11 OR J12 TO BE PLACED  
ON PINS 1 & 2 OF LAST FCU  
ON RS485 BUS ONLY.

64XX FCU

ELEK BD  
2015189-XXX  
2015333-XXX

COMM 1

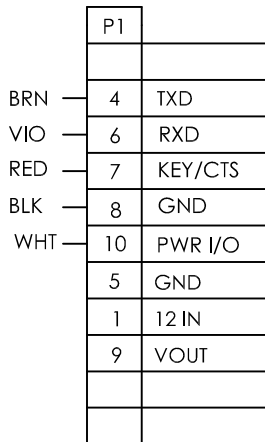


RS232 COMM MODULE  
2015192-001

POWER FROM FCU

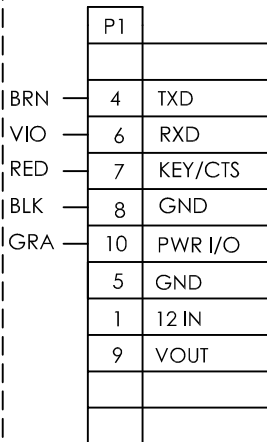
S  
SWITCHED POWER

• UC12 (DIAL-UP MODEM)  
2018323-001/002  
2017379-001/002  
  
(SCHEDULER  
SOFTWARE  
REQUIRED)



T  
CONTINUOUS POWER

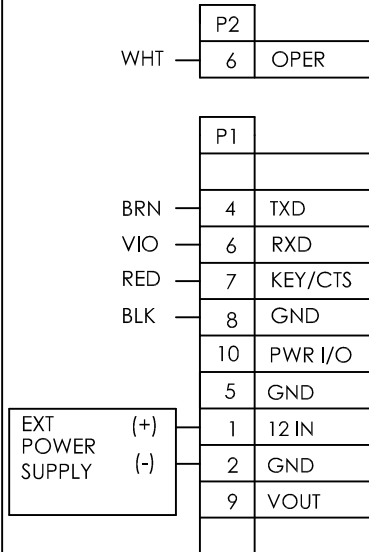
• UC12 (DIAL-UP MODEM)  
2018323-001/002  
2017379-001/002



EXT POWER SUPPLY

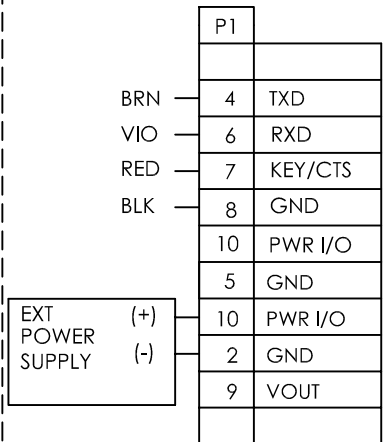
U  
SWITCHED POWER

• UC12 (DIAL-UP MODEM)  
2018323-001/002  
2017379-001/002  
  
(SCHEDULER  
SOFTWARE  
REQUIRED)



V  
CONTINUOUS POWER

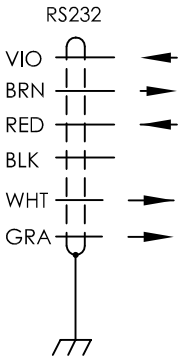
• UC12 (DIAL-UP MODEM)  
2018323-001/002  
2017379-001/002



XFC 6413 / 6414  
XFC 6713 / 6714

ELEK PCBA  
2100204-XXX (CB195)  
2102838-XXX (XFC G4)

COMM2 P4		COMM1 P4	
12	TXD	4	TXD
13	RXD	6	RXD
15	CTS	9	CTS
1	GND	1	GND
3	SWVBAT	3	SWVBAT
2	VBATT	2	VBATT



RS232 COMM MODULE  
2015192-001

POWER FROM FCU

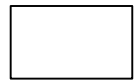
S SWITCHED POWER	T CONTINUOUS POWER
---------------------	-----------------------

• UC12 (DIAL-UP MODEM)  
2018323-001/002  
2017379-001/002  
(DIAL-UP DUAL PORT MODEM)  
2017379-008/009  
  
(SCHEDULER  
SOFTWARE  
REQUIRED)

• UC12 (DIAL-UP MODEM)  
2018323-001/002  
2017379-001/002  
(DIAL-UP DUAL PORT MODEM)  
2017379-008/009

P1	
BRN	4 TXD
VIO	6 RXD
RED	7 KEY/CTS
BLK	8 GND
WHT	10 PWR I/O
	5 GND
	1 12 IN
WHT	9 VOUT

P1	
BRN	4 TXD
VIO	6 RXD
RED	7 KEY/CTS
BLK	8 GND
GRA	10 PWR I/O
	5 GND
	1 12 IN
GRA	9 VOUT

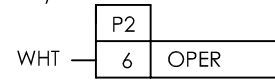


EXT POWER SUPPLY

U SWITCHED POWER	V CONTINUOUS POWER
---------------------	-----------------------

• UC12 (DIAL-UP MODEM)  
2018323-001/002  
2017379-001/002  
(DIAL-UP DUAL PORT MODEM)  
2017379-008/009  
  
(SCHEDULER  
SOFTWARE  
REQUIRED)

• UC12 (DIAL-UP MODEM)  
2018323-001/002  
2017379-001/002  
(DIAL-UP DUAL PORT MODEM)  
2017379-008/009



P1	
BRN	4 TXD
VIO	6 RXD
RED	7 KEY/CTS
BLK	8 GND
	10 PWR I/O
	5 GND
	1 12 IN
EXT POWER SUPPLY (+)	1 12 IN
EXT POWER SUPPLY (-)	2 GND
	9 VOUT

P1	
BRN	4 TXD
VIO	6 RXD
RED	7 KEY/CTS
BLK	8 GND
	10 PWR I/O
	5 GND
	10 PWR I/O
EXT POWER SUPPLY (+)	10 PWR I/O
EXT POWER SUPPLY (-)	2 GND
	9 VOUT

