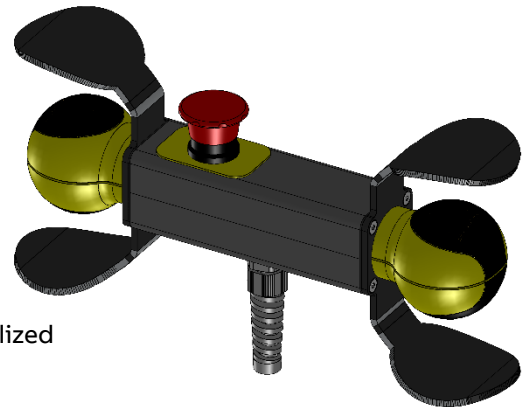


PRODUCT SHEET

JSD-TD25P-320700

2TLA930061R0000



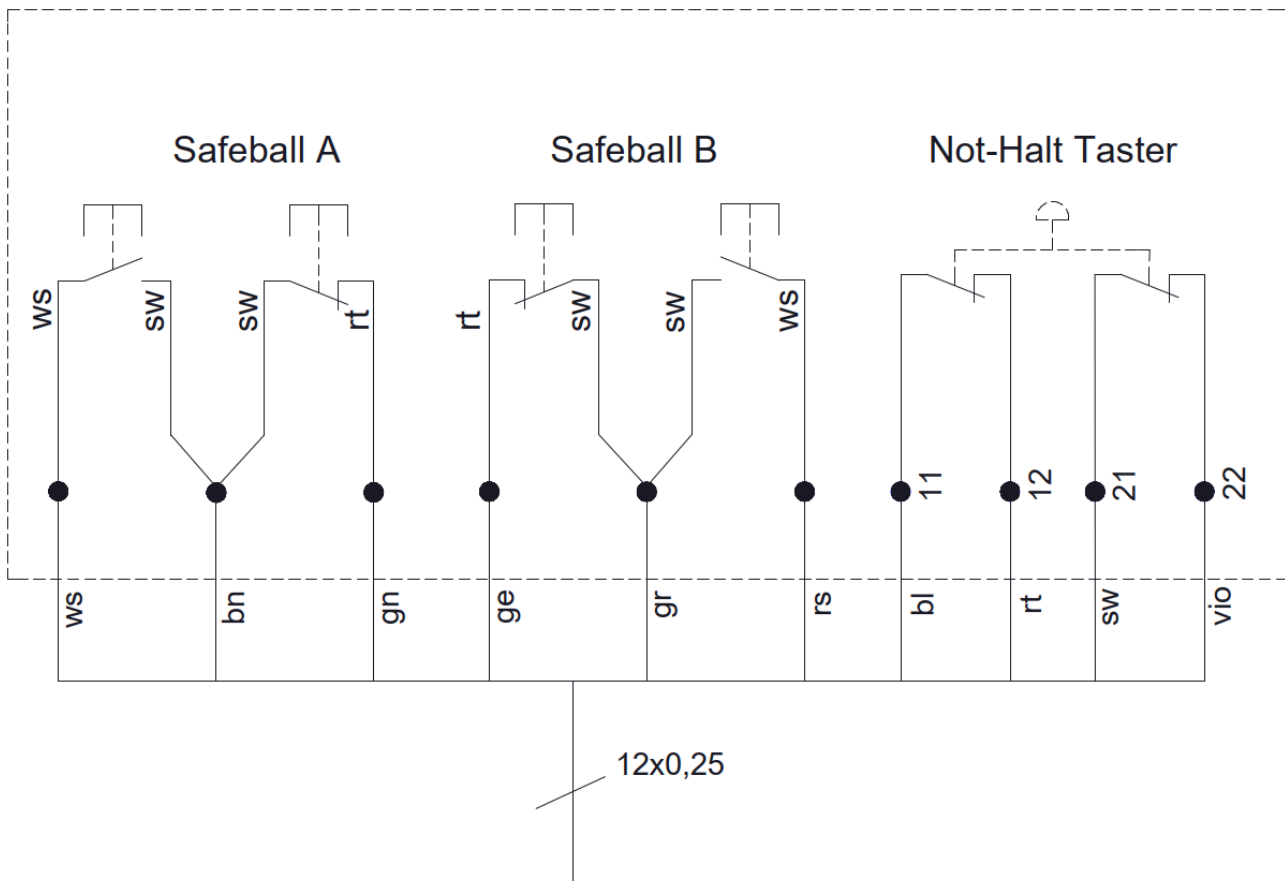
The JSD-TD25P-320700 is a mobile two-hand-device with two Safeballs and an Emergency-Stop Pushbutton. The connection is realized via a spiral cable 2,0/10m.

Mobile control units of the TYPE JSD-TD25P- are available in different configurations and are used in machines and systems to control dangerous processes in areas where no other protective measures are effective at the time of operation (e.g. presses, etc.).

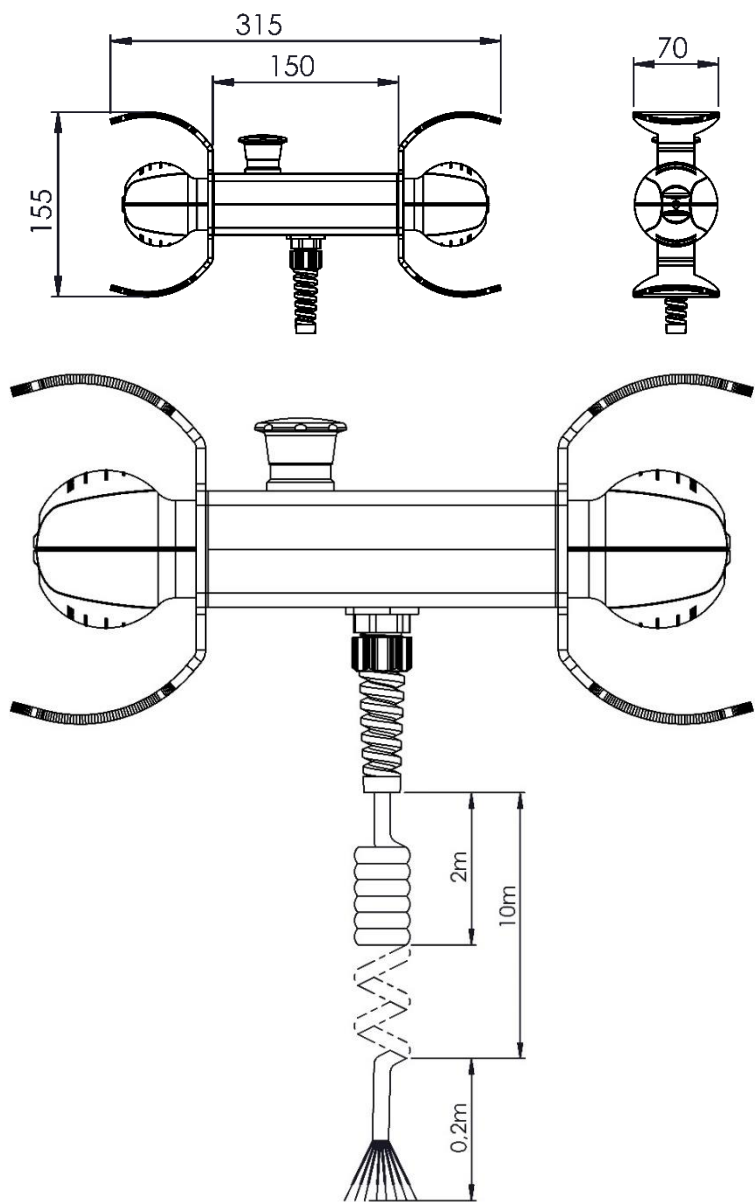
Depending on the risk assessment and the equipment of the operating unit, use as an enabling device or as a two-hand operating unit is permissible in accordance with the standard.

Two operating switches are integrated in each of the laterally mounted Safeballs to provide manipulation safety and ensure an ergonomic handling.

Wiring diagram



—
Dimensions



Dimensions in mm if not shown otherwise.

—
Ordering information

Description	Type	Order code
JSD-TD25P-320700	Mobile Two Hand Device	2TLA930061R0000

—
Accessories

Description	Type	Order code
SFBW5-E	Holder Stainless Steel	2TLA920120R0000
JSMC-14	Plastic Holder	2TLA020007R8000

Technical data

Temperature range	-35 to +50 C°
IP-class	IP55
Nominal Voltage	10 ... 30 V DC
Housing material	Alloy black eloxated
Dimensions	315x155x70 mm
Weight	2100g
Wire diameter	12x0.25 mm ²
Wire material	Finely stranded copper
Jacket insulation Material	PUR, halogen-free
Jacket insulation Outer Diameter	6.80 mm ± 0.20 mm
Jacket insulation Color	Black RAL 9005

Note
We reserve the right to make technical changes or modify the contents of this document without prior notice. With regard to purchase orders, the agreed particulars shall prevail. ABB does not accept any responsibility whatsoever for potential errors or possible lack of information in this document.

Copyright© 2023 ABB
All rights reserved