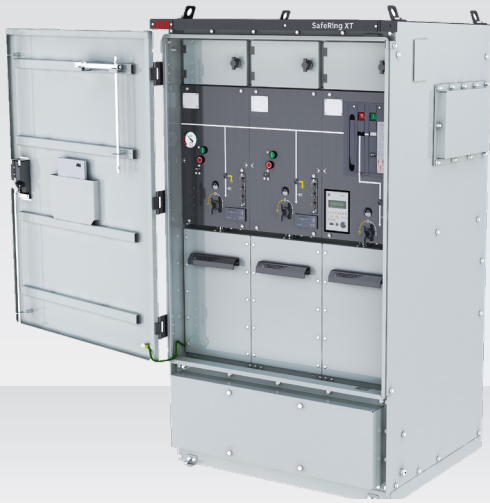


SafeRing XT 12kV 630A

SF₆ - insulated ring main unit for secondary distribution



—
SF₆-insulated
ring main unit

SafeRing XT is supplied with the following standard equipment

- Integrated low-voltage compartment
- Earthing switches
- Operating mechanisms with integral mechanical interlocking
- Vacuum circuit breaker with high mechanical endurance of 10000 operations (M2 Class)
- 12 kV, 630 A, 21 kA for 3 sec
- Robotically welded SS304 tank
- Metal enclosed switchgear & control gear with IP54 protection
- Arc proof cable covers fully interlocked
- Operating handle
- Facilities for padlocks on all switching functions
- Replaceable bushings for cable connection in front with cable covers
- Capacitive voltage indication
- Manometer for SF₆-pressure/density monitoring
- Lifting lug for easy handling
- Suitable for installation till 3000 m without derating
- All units are designed for the subsequent fitting of an integral remote control and monitoring unit

SafeRing XT is a ring main unit for the secondary distribution network.

SafeRing XT can be supplied in a number of different configurations suitable for most switching applications in 12kV distribution networks.

Digital solutions like smart automation & control and monitoring & diagnostics features make it a reliable solution for smart networks and substations.

SafeRing XT is manufactured according to our strict quality and environment procedures. Our ISO 9001 and ISO 14001 certifications assure the quality and environmental excellence.

Transformer protection

SafeRing XT offers circuit-breaker with relay for transformer protection which offers better protection against over-currents, earth fault and short-circuit faults.

Additional equipment

- ABB-Ability™ industrial edge gateway
- Field remote terminal unit
- Monitoring & diagnostics sensors
- Interlocked cable covers
- Integrated control and monitoring
- Signal (1NO/1NC) from pressure indicator wired to terminals
- Open & close coil
- Motor operation
- Auxiliary switches for all switching functions
- Prepared for relay test equipment
- Short-circuit indicator
- Earth fault indicator
- Short-circuit and earth fault indicator

Technical data

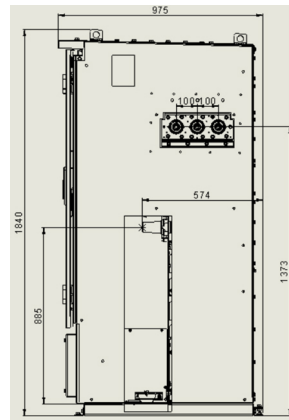
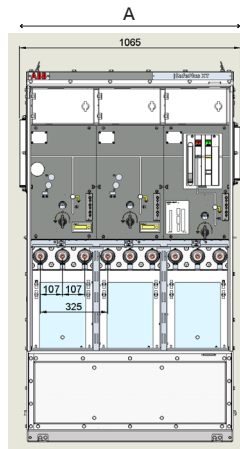
SafeRing XT		C-Module		V-Module	
		Switch-disconnector	Earthing Switch	Vacuum circuit-breaker	Disconnect-earthing switch
Rated voltage	kV	12	12	12	12
Power frequency withstand voltage	KVrms	38	38	38	38
- across switch-disconnector	KVrms	45	45	-	45
Lightning impulse withstand voltage	KVp	95	95	95	95
- across disconnector	kVp	110	110	-	110
Rated normal current	A	630		630	
Rated frequency	Hz	50	50	50	50
Breaking capacities:					
- active load breaking current	A	630		-	
- closed loop breaking current	A	630			
- cable charging breaking current	A	63		31.5 (Class C2)	
- line charging breaking current	A	1		10 (Class C2)	
- earth fault breaking current	A	190			
- cable and line charging breaking current under earth fault conditions	A	110			
- short-circuit breaking current	kA			21	
Rated short-circuit making capacity	kAp	52.5	52.5	52.5	52.5
Short time current 3 sec	kA	21	21	21	21
Electrical & mechanical classes		E3, C2, M1	E2, M0	E2 ²⁾ , C2, S1, M2	E2, M0
Rated operating sequence				0-0.3 sec-CO-3min-CO	
Rated filling pressure	Mpa		0.13		
Ambient temperature, maximum ¹⁾	°C		+40		
Ambient temperature, maximum 24hr average	°C		+35		
Ambient temperature, minimum	°C		-15		
Site altitude above sea level ¹⁾	m		1000		
Relative humidity max. 24 hour mean	%		95		
Internal arc classification IAC AFLR	kA/s		10kA/0.1 s		
Internal arc classification IAC AFLR	kA/s		21kA/1 s		

- 1) Higher values on request
- 2) E2 without auto reclosing duty

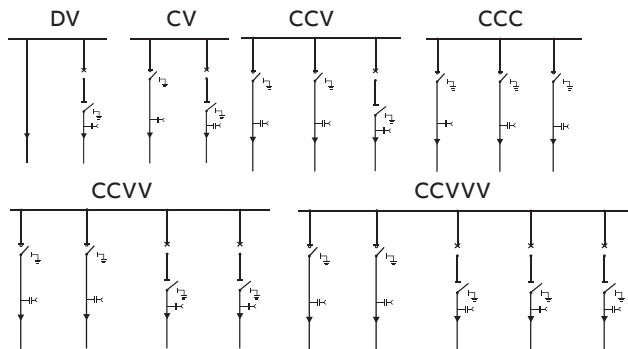
Dimensions

Type of unit A (mm)

1-way	415
2-way	740
3-way	1065
4-way	1390
5-way	1715



Available configurations



More information required?

Configurations or features missing?

SafeRing XT is our ring main unit for standard configurations. For higher requirements or other configurations, SafePlus XT is the more flexible compact switchgear solution. Please contact local ABB for more information on SafeRing XT and SafePlus XT products.

For more information, please contact sales department at:
ABB India Limited
 Plot No. 79, Street No. 17, MIDC Estate,
 Satpur, Nashik, Maharashtra -422 007, India
 Tel: +91 253-2201200 Fax: +91 253-2351260

www.abb.com/in

NOTE:
 Data and illustration are not binding. We reserve the right to make changes in the course of technical development.

© Copyright 2022 ABB. All rights reserved.
 Specifications subject to change without notice.