

14

13

12

11

D

D

C

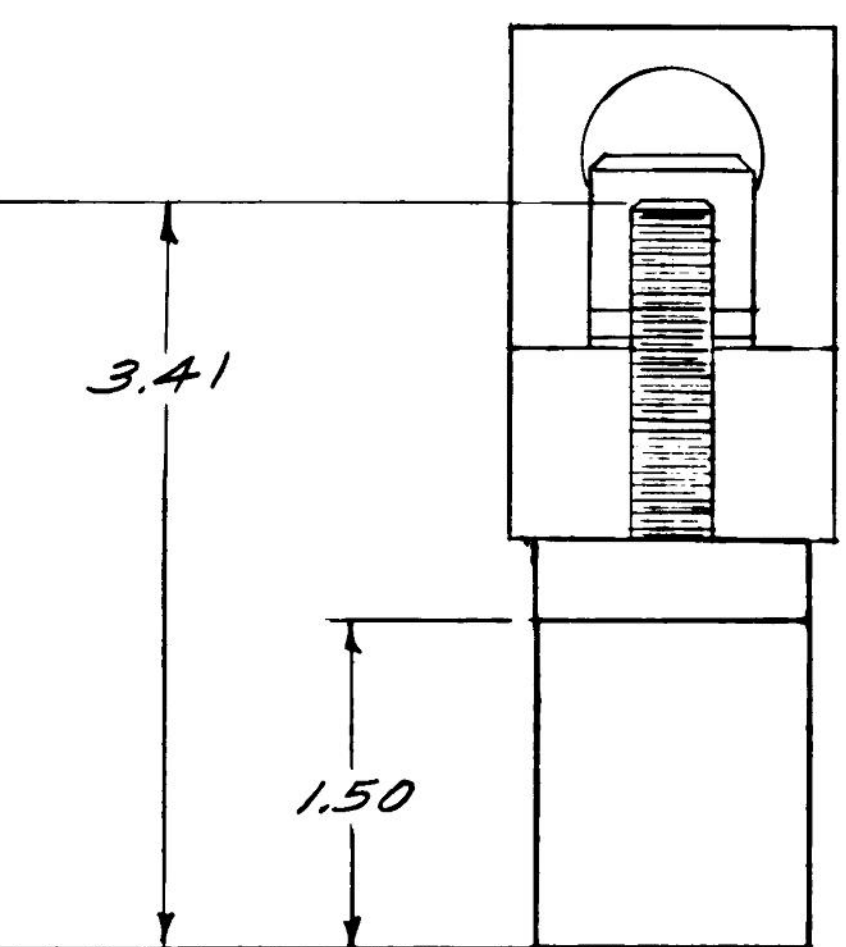
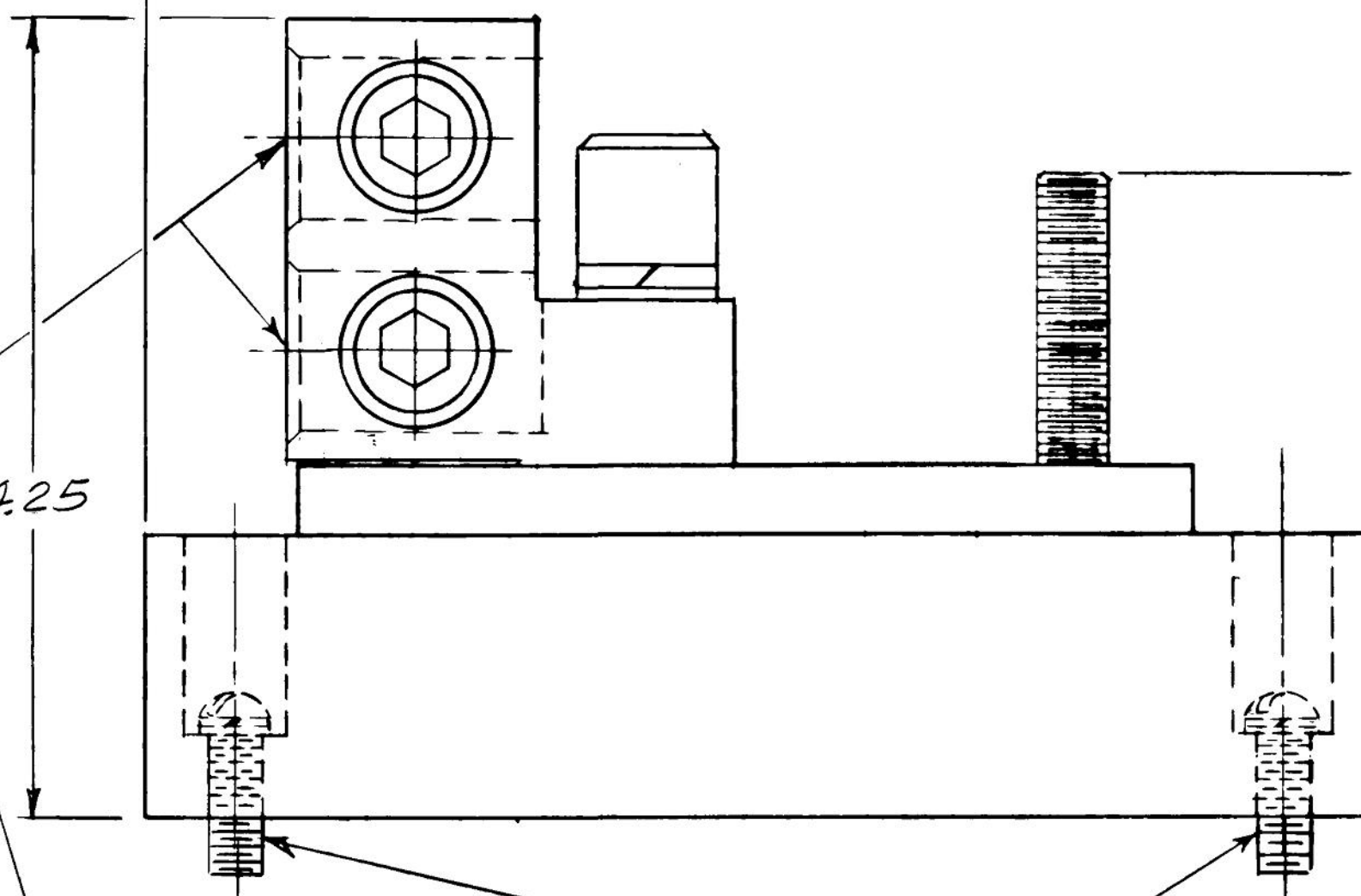
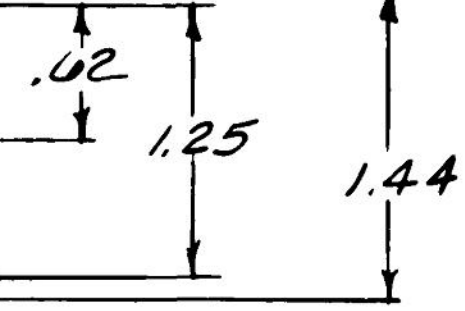
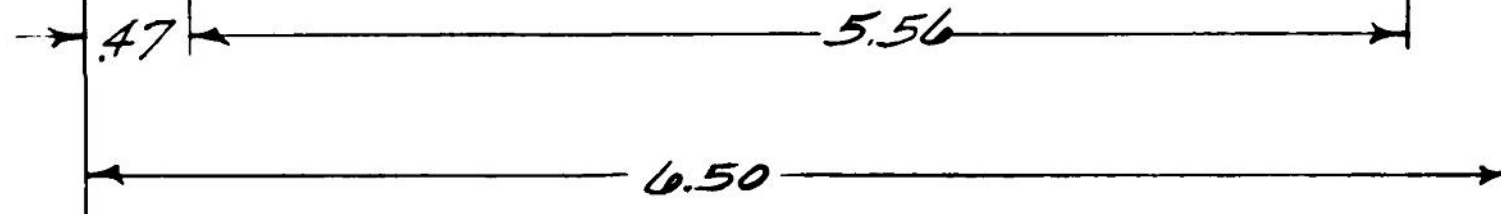
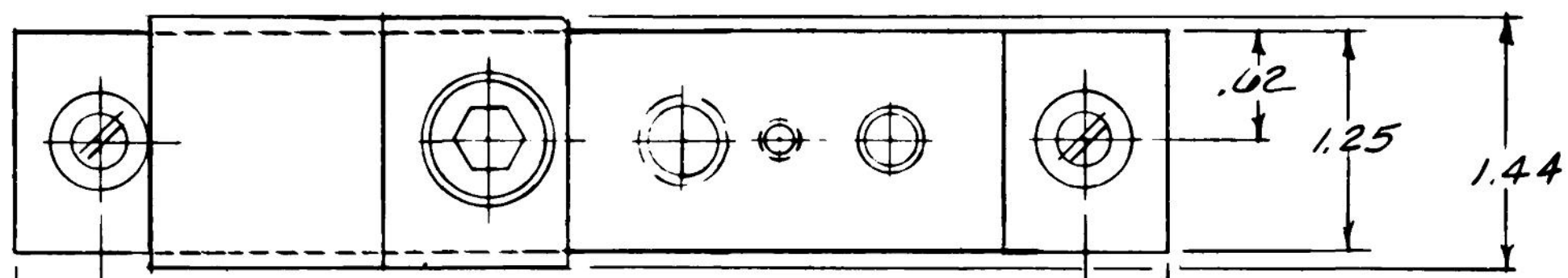
C

B

B

A

A



(2) .84 HOLES
WIRE SIZE (2) 2/0-500MCM CU-AL

MOUNTING HARDWARE
(2) #12-24 X .75 LG SCREWS
(2) #12 LOCK WASHERS
(2) #12 FLAT WASHERS

ABB				
OUTLINE NEUTRAL FIRST MADE FOR TNIA600VG MOD 8				
THIRD ANGLE	SHEET#	DWG NO.	DATE	REV
	1 of 1	139C5487SH1	05-Feb-23	E

14

13

12

11