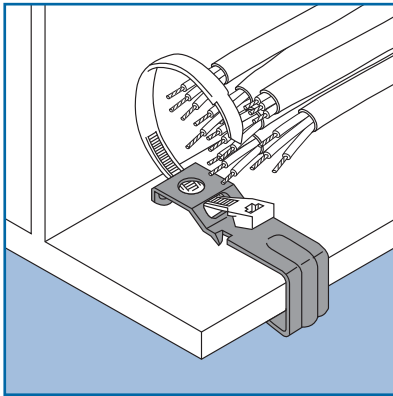
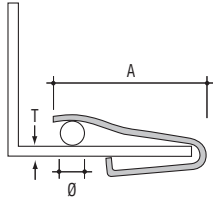


Girder clips for single cable

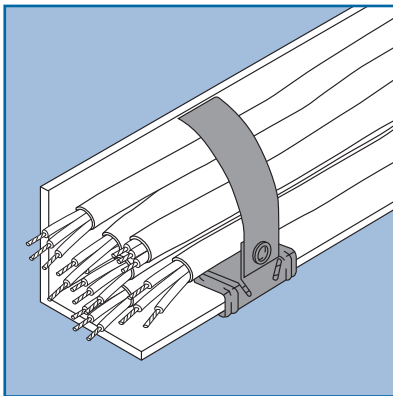
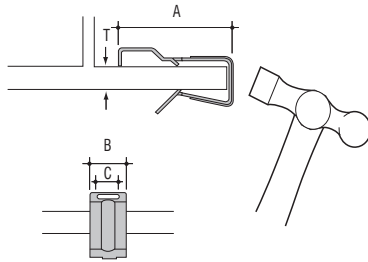
Part No.	T (mm)	Ø (mm)	A (mm)	Material finishes*	Quantity (pieces)
LM-38	3-5	6-16	46	F8+	100
LM-38	5-8	3-10	46	F8+	100
LM-811	8-9	7-20	46	F8+	100
LM-811	10-11	7-12	46	F8+	100



Girder clips for multi-cables

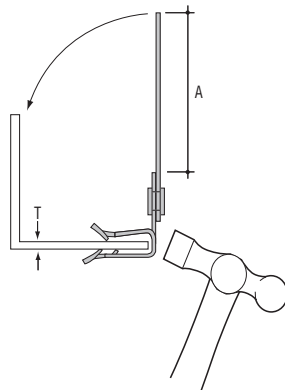
Part No.	T (mm)	A (mm)	B (mm)	C (mm)	Material finishes*	Quantity (pieces)
GH-310	3-10	52	16	10	F8+	100
GH-1018	10-18	52	16	10	F8+	100

Cable tie not included. Thomas & Betts offers a range of cable ties suitable for use with E-Klips™ products, please contact your local distributor for further information.



Girder clips for multi-cables

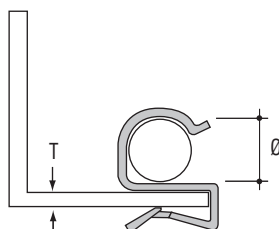
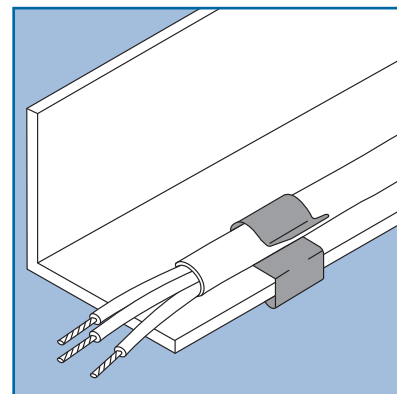
Part No.	T (mm)	A (mm)	Material finishes*	Quantity (pieces)
AH153-B	1.5-3	65	F8+	25
AH38-B	3-8	58	F8+	25
AH814-B	8-14	58	F8+	25
AH1420-B	14-20	58	F8+	25



* See page 50 for material finishes

Girder clips for single cables

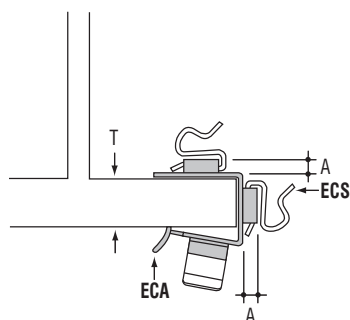
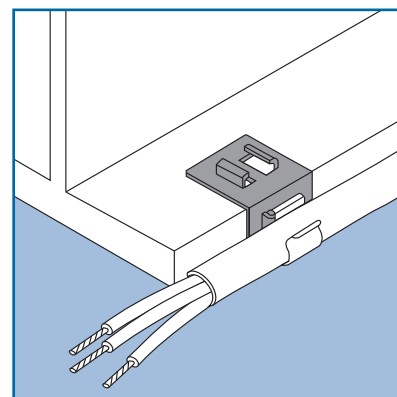
Part No.	T (mm)	Ø (mm)	Material finishes*	Quantity (pieces)
ECS-4555	2-4	4.5-5.5	F8+	100
ECS-67	2-4	6-7	F8+	100
ECS-89	2-4	8-9	F8+	100
ECS-1011	2-4	10-11	F8+	100
ECS-1214	2-4	12-14	F8+	100
ECS-1519	2-4	15-18	F8+	100
ECS-2024	2-4	19-24	F8+	100
ECS-2532	2-4	25-32	F8+	100
ECM-4555	4-7	4.5-5.5	F8+	100
ECM-67	4-7	6-7	F8+	100
ECM-89	4-7	8-9	F8+	100
ECM-1011	4-7	10-11	F8+	100
ECM-1214	4-7	12-14	F8+	100
ECM-1519	4-7	15-18	F8+	100
ECM-2024	4-7	19-24	F8+	100
ECM-2532	4-7	25-32	F8+	100
ECL-4555	8-12	4.5-5.5	F8+	100
ECL-67	8-12	6-7	F8+	100
ECL-89	8-12	8-9	F8+	100
ECL-1011	8-12	10-11	F8+	100
ECL-1214	8-12	12-14	F8+	100
ECL-1519	8-12	15-18	F8+	100
ECL-2024	8-12	19-24	F8+	100
ECL-2532	8-12	25-32	F8+	100



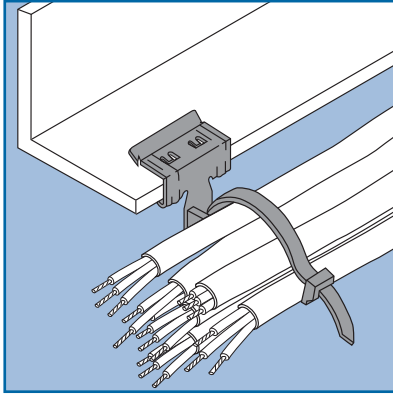
Girder clips for single cable

Part No.	T (mm)	A (mm)	Material finishes*	Quantity (pieces)
ECA-1215	12-15	2-4	F8+	100
ECA-1520	15-20	2-4	F8+	100

For use with ECS cable clips only, sold separately.



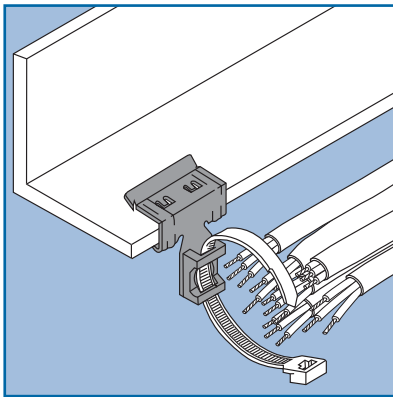
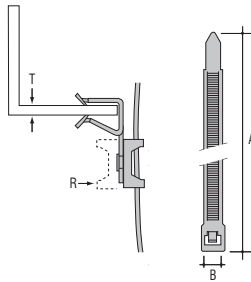
* See page 50 for material finishes



Girder clips, mounting base and cable tie for cable bundle

Part No.	T (mm)	A (mm)	B (mm)	Material finishes*	Quantity (pieces)
AH153-CT2	1.5-3	200	7.6	F8+ ¹	25
AH153-CT2R	1.5-3	200	7.6	F8+ ¹	25
AH153-CT4	1.5-3	370	7.6	F8+ ¹	25
AH38-CT2	3-8	200	7.6	F8+ ¹	25
AH38-CT2R	3-8	200	7.6	F8+ ¹	25
AH38-CT4	3-8	370	7.6	F8+ ¹	25
AH814-CT2	8-14	200	7.6	F8+ ¹	25
AH814-CT2R	8-14	200	7.6	F8+ ¹	25
AH814-CT4	8-14	370	7.6	F8+ ¹	25
AH1420-CT2	14-20	200	7.6	F8+ ¹	25
AH1420-CT2R	14-20	200	7.6	F8+ ¹	25
AH1420-CT4	14-20	370	7.6	F8+ ¹	25

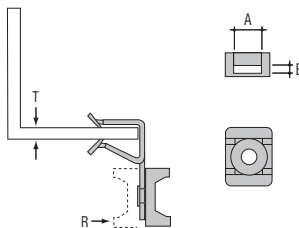
¹ Mounting bases and cable ties are made of Polyamide 6.6



Girder clips and mounting base for cable bundles

Part No.	T (mm)	A (mm)	B (mm)	Material finishes*	Quantity (pieces)
AH153-M	1.5-3	9	3.5	F8+	25
AH153-MR	1.5-3	9	3.5	F8+	25
AH38-M	3-8	9	3.5	F8+	25
AH38-MR	3-8	9	3.5	F8+	25
AH814-M	8-14	9	3.5	F8+	25
AH814-MR	8-14	9	3.5	F8+	25
AH1420-M	14-20	9	3.5	F8+	25
AH1420-MR	14-20	9	3.5	F8+	25

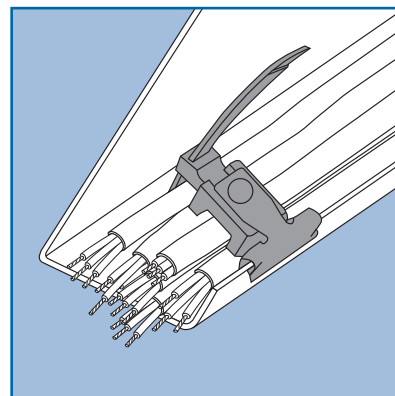
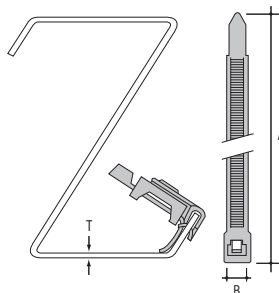
Cable tie not included. Thomas & Betts offers a range of cable ties suitable for use with E-Klips™ products, please contact your local distributor for further information.



Purlin clip and cable tie for cable bundles

Part No.	T (mm)	A (mm)	B (mm)	Material finishes*	Quantity (pieces)
AH153-CT2R	1.5-3	200	7.6	F8+ ¹	25

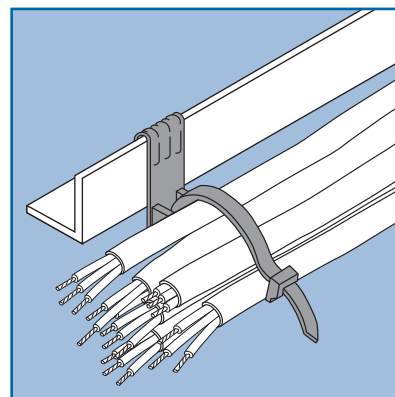
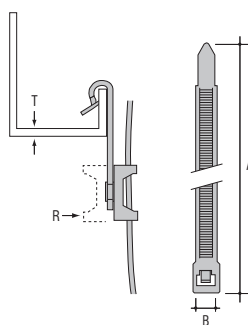
¹ Mounting bases and cable ties are made of Polyamide 6.6



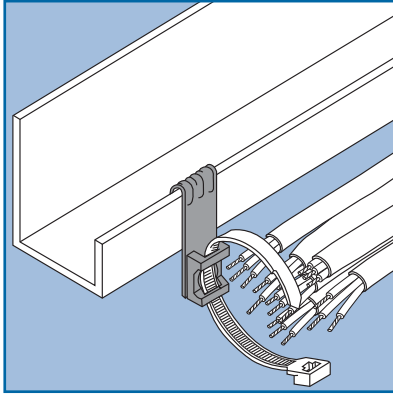
Purlin clips, mounting base and cable tie for cable bundles

Part No.	T (mm)	A (mm)	B (mm)	Material finishes*	Quantity (pieces)
AV155-CT2	1.5-4	200	7.6	F8+ ¹	25
AV155-CT2R	1.5-4	200	7.6	F8+ ¹	25
AV155-CT4	1.5-4	370	7.6	F8+ ¹	25
AV57-CT2	4.5-7	200	7.6	F8+ ¹	25
AV57-CT2R	4.5-7	200	7.6	F8+ ¹	25
AV57-CT4	4.5-7	370	7.6	F8+ ¹	25

¹ Mounting bases and cable ties are made of Polyamide 6.6



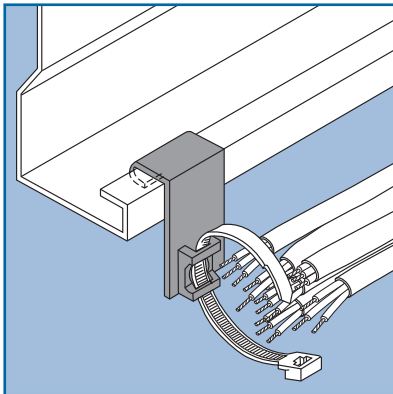
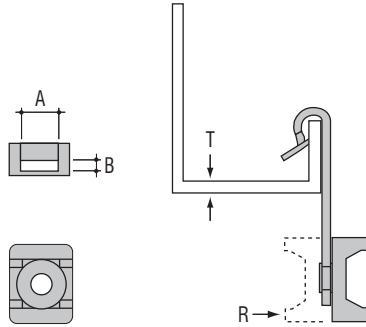
* See page 50 for material finishes



Purlin clips and mounting base for cable bundles

Part No.	T (mm)	A (mm)	Ø (mm)	Material finishes*	Quantity (pieces)
AV155-M	1.5-4	9	3.5	F8+	25
AV155-MR	1.5-4	9	3.5	F8+	25
AV57-M	4.5-7	9	3.5	F8+	25
AV57-MR	4.5-7	9	3.5	F8+	25

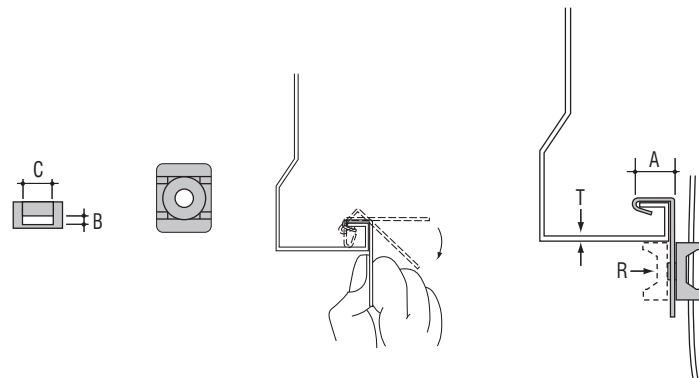
Cable tie not included. Thomas & Betts offers a range of cable ties suitable for use with E-Klips™ products, please contact your local distributor for further information.



Purlin clips and mounting base for cable bundles

Part No.	T (mm)	A (mm)	B (mm)	C (mm)	Material finishes*	Quantity (pieces)
SM125-M	≤3.0	9	3.5	12.5	F2	25
SM125-MR	≤3.0	9	3.5	12.5	F2	25

Cable tie not included. Thomas & Betts offers a range of cable ties suitable for use with E-Klips™ products, please contact your local distributor for further information.



* See page 50 for material finishes